



US00D973727S

(12) **United States Design Patent** (10) **Patent No.:** **US D973,727 S**  
**Uchida** (45) **Date of Patent:** **\*\* Dec. 27, 2022**

(54) **AIR DRYER**  
(71) Applicant: **SMC CORPORATION**, Tokyo (JP)  
(72) Inventor: **Shunsuke Uchida**, Tsukuba (JP)  
(73) Assignee: **SMC CORPORATION**, Tokyo (JP)  
(\*\*) Term: **15 Years**

D890,297 S \* 7/2020 Tanaka ..... D23/209  
D892,975 S \* 8/2020 Tanaka ..... D23/209  
D893,674 S \* 8/2020 Tanaka ..... D23/209  
D893,691 S \* 8/2020 Graham ..... D23/355  
D894,330 S \* 8/2020 Tanaka ..... D23/209  
D894,331 S \* 8/2020 Tanaka ..... D23/209  
D960,290 S \* 8/2022 Higaki ..... D23/209  
2014/0013956 A1 \* 1/2014 Ericson ..... B01D 53/0415  
96/118

(21) Appl. No.: **29/774,651**  
(22) Filed: **Mar. 18, 2021**

\* cited by examiner

*Primary Examiner* — Calvin E Vansant  
*Assistant Examiner* — Eidiol Ghigliotty Torres  
(74) *Attorney, Agent, or Firm* — Oblon, McClelland,  
Maier & Neustadt, L.L.P.

(30) **Foreign Application Priority Data**  
Sep. 25, 2020 (JP) ..... 2020-020427 D  
(51) **LOC (13) Cl.** ..... **15-07**  
(52) **U.S. Cl.**  
USPC ..... **D15/89**; D15/1; D15/5; D23/209;  
D23/355; D23/359; D23/364  
(58) **Field of Classification Search**  
USPC ..... D15/1, 5, 89; D23/209, 355, 359, 364  
CPC ..... B01D 2201/30; B01D 2201/52; B01D  
2201/307; B01D 2201/308; B01D  
2257/80; B01D 53/26  
See application file for complete search history.

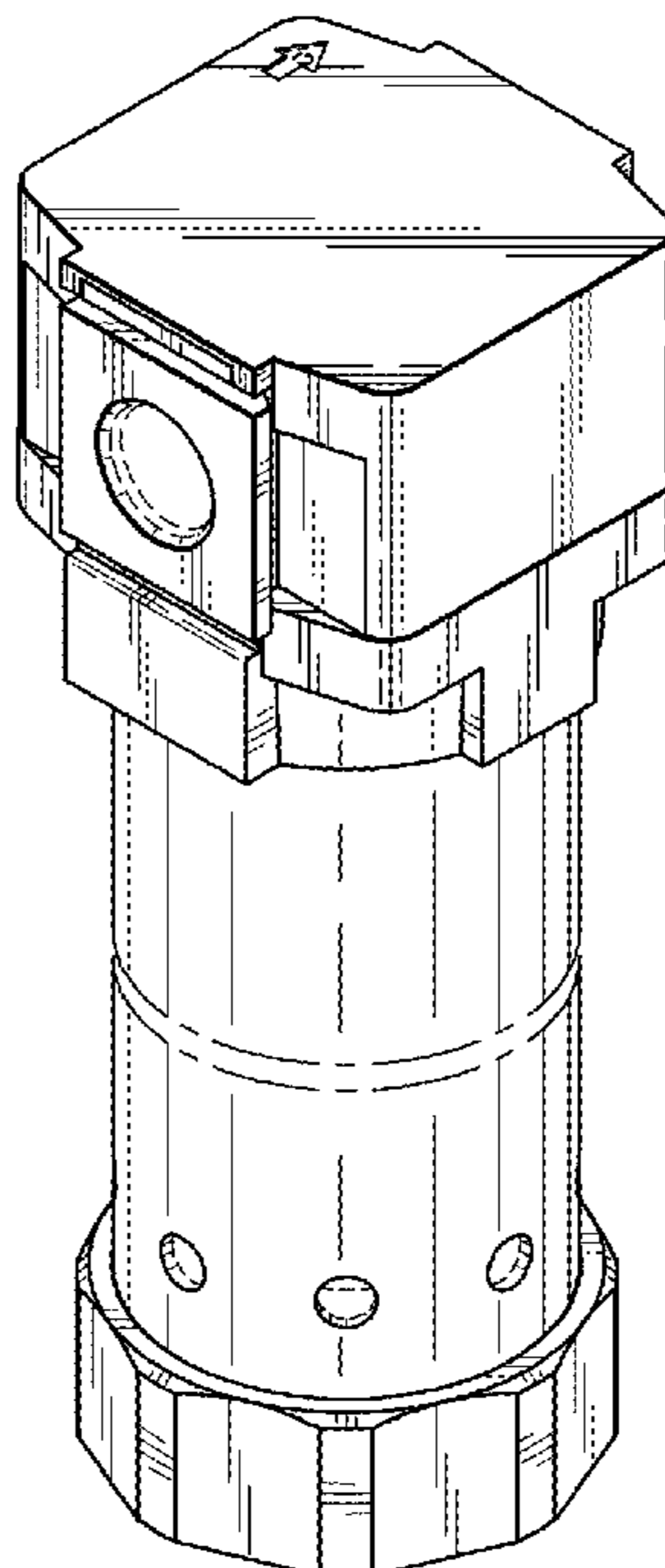
(57) **CLAIM**  
The ornamental design for an air dryer, as shown and described.

(56) **References Cited**  
U.S. PATENT DOCUMENTS  
5,653,870 A \* 8/1997 Tsuchiya ..... B01D 35/30  
210/450  
5,715,621 A \* 2/1998 Mitsch ..... B60T 17/004  
34/80  
D604,821 S \* 11/2009 Quinn ..... D23/347  
D629,090 S \* 12/2010 Quinn ..... D23/347  
D888,886 S \* 6/2020 Tanaka ..... D23/209

**DESCRIPTION**

FIG. 1 is a front, top, and left side perspective view of an air dryer showing the new design.  
FIG. 2 is a front, bottom, and left side perspective view thereof.  
FIG. 3 is a front elevational view thereof, the rear elevational view being a mirror image of the front elevational view.  
FIG. 4 is a top plan view thereof.  
FIG. 5 is a bottom plan view thereof.  
FIG. 6 is a left side elevational view thereof; and,  
FIG. 7 is a right side elevational view thereof.  
The evenly spaced broken lines depict portions of the air dryer that form no part of the claimed design. The air dryer is shown with a symbolic break in its length. The appearance of any portion of the article between the break lines forms no part of the claimed design.

**1 Claim, 6 Drawing Sheets**



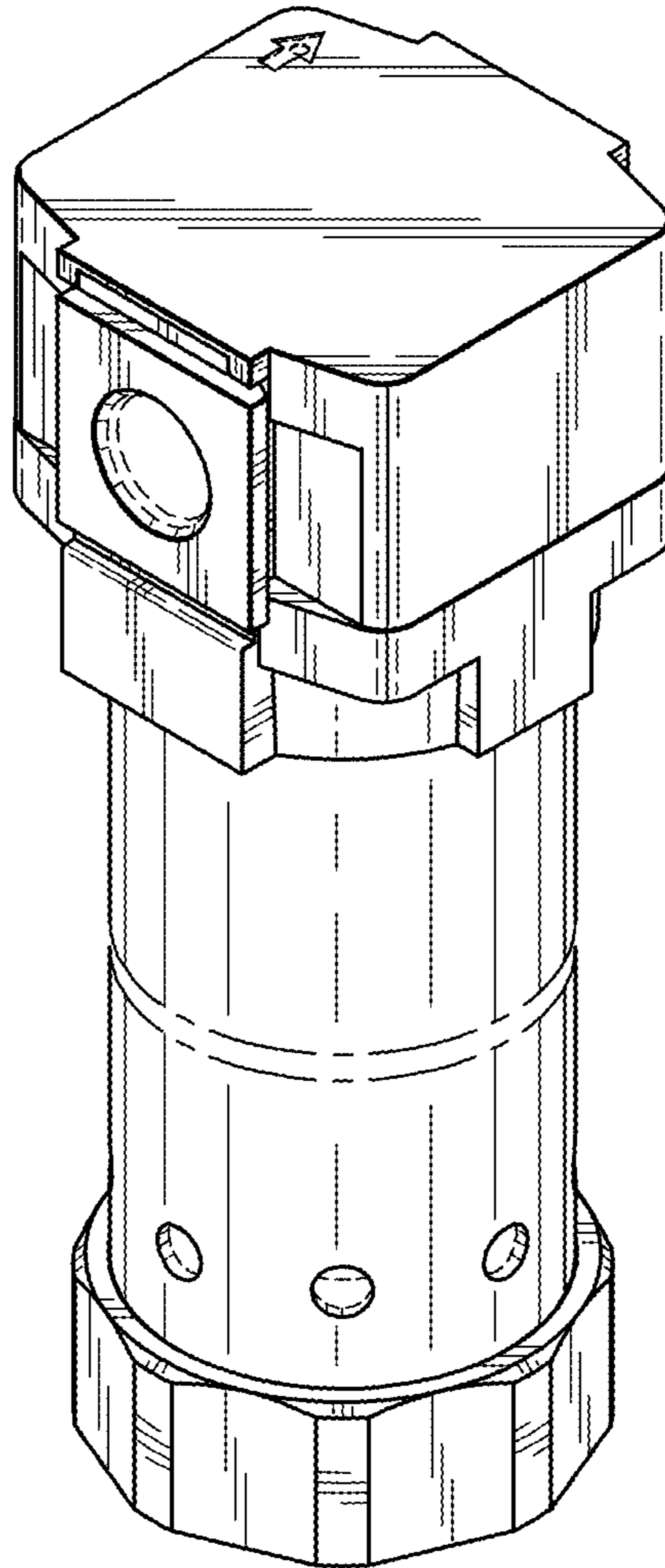


FIG. 1

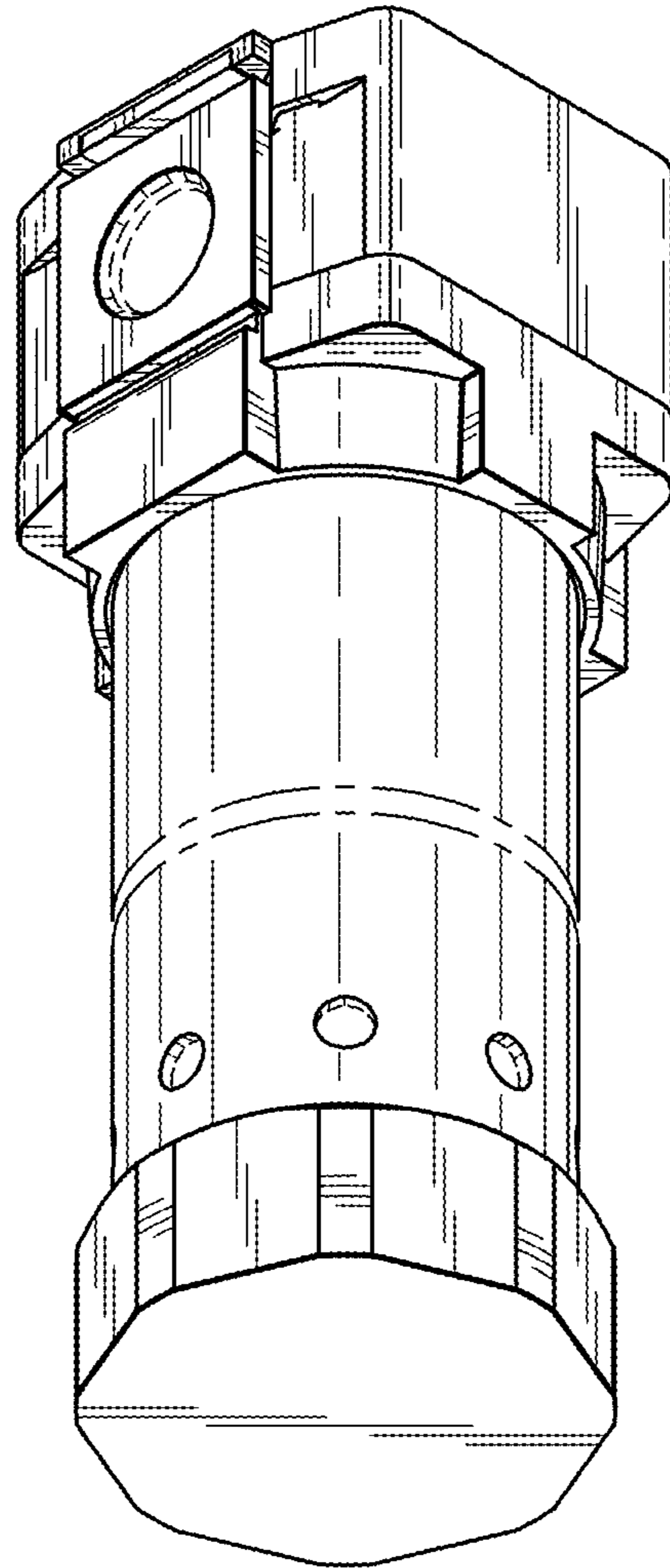


FIG. 2

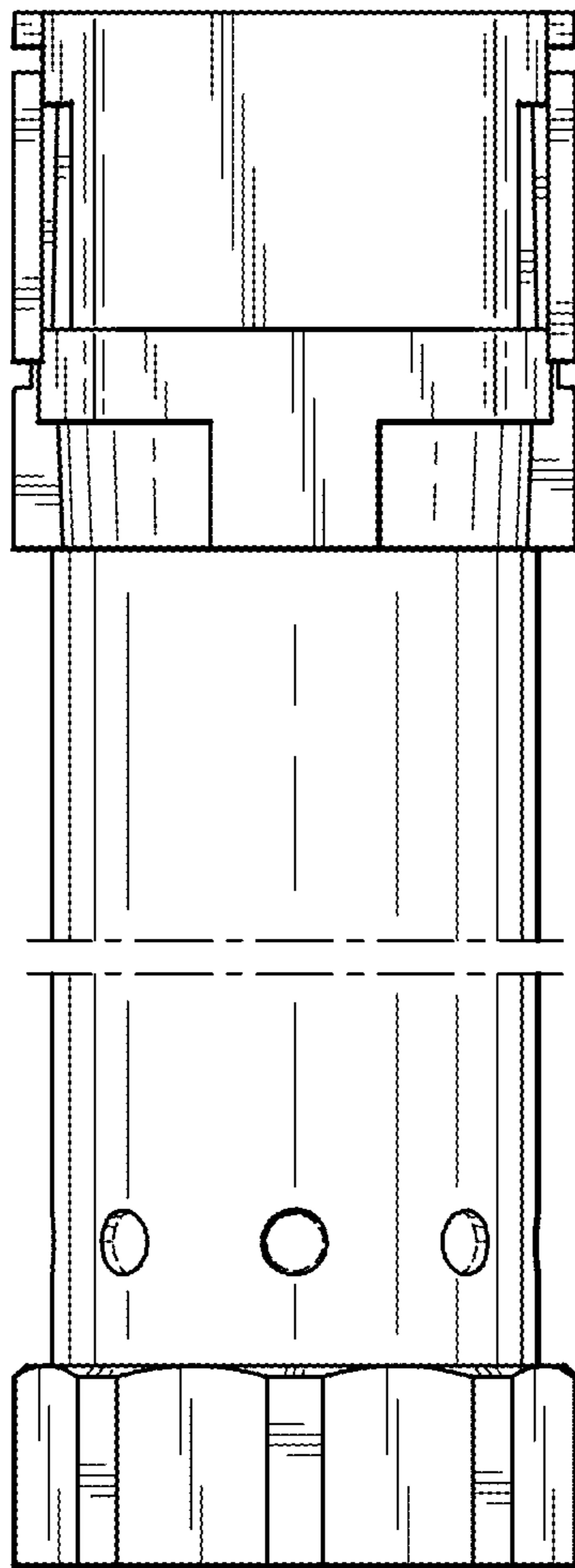


FIG. 3

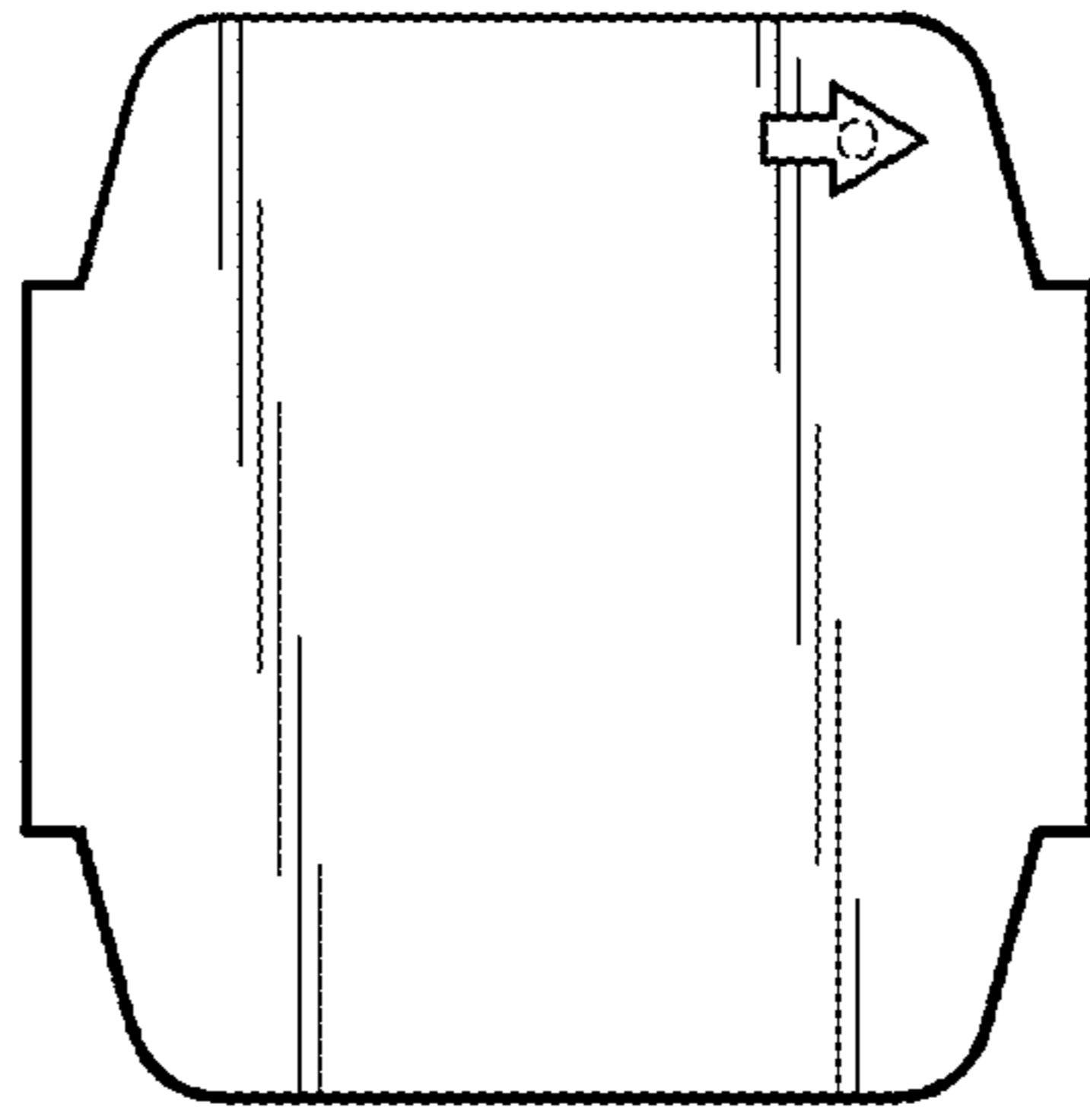


FIG. 4

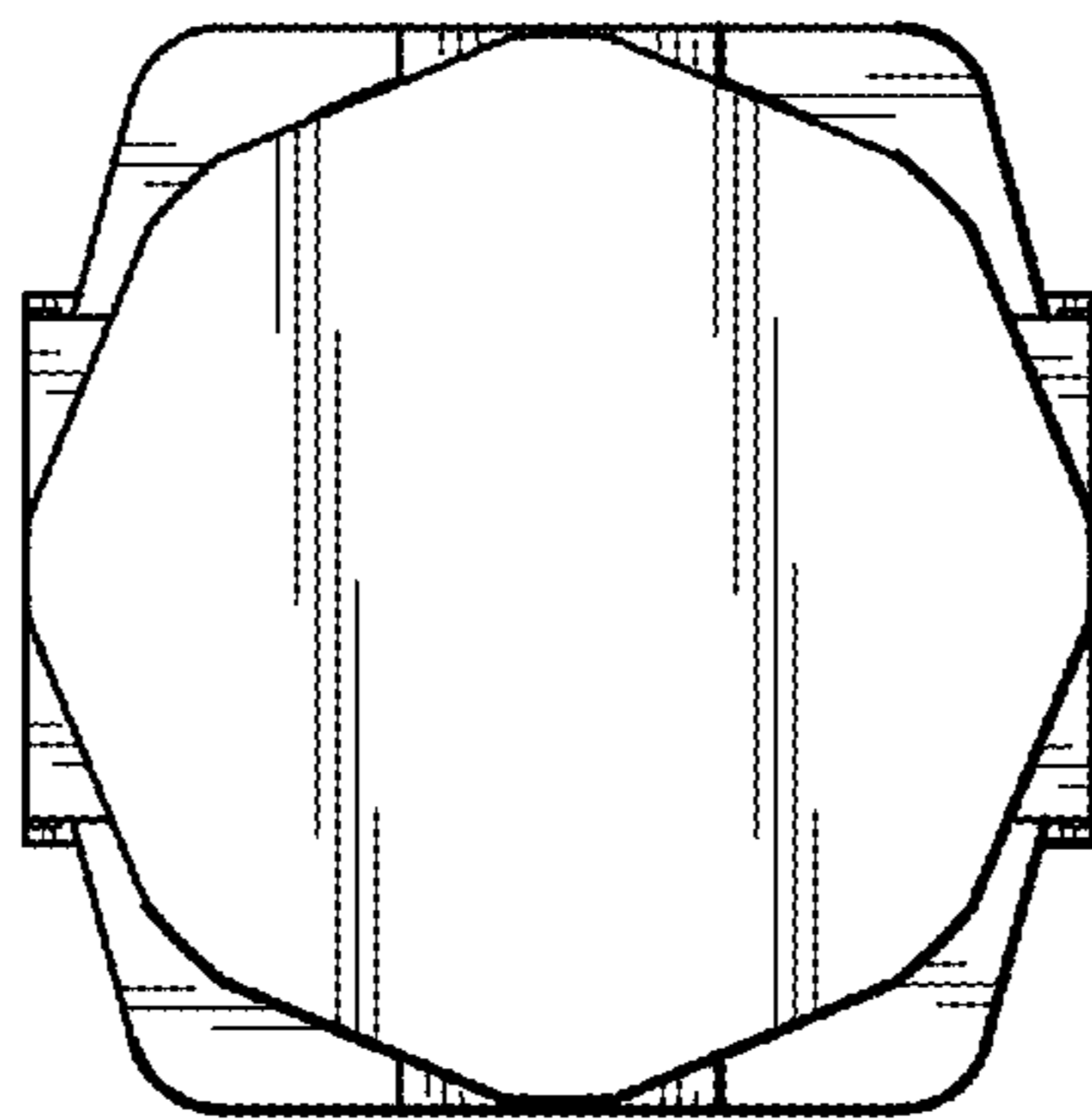


FIG. 5

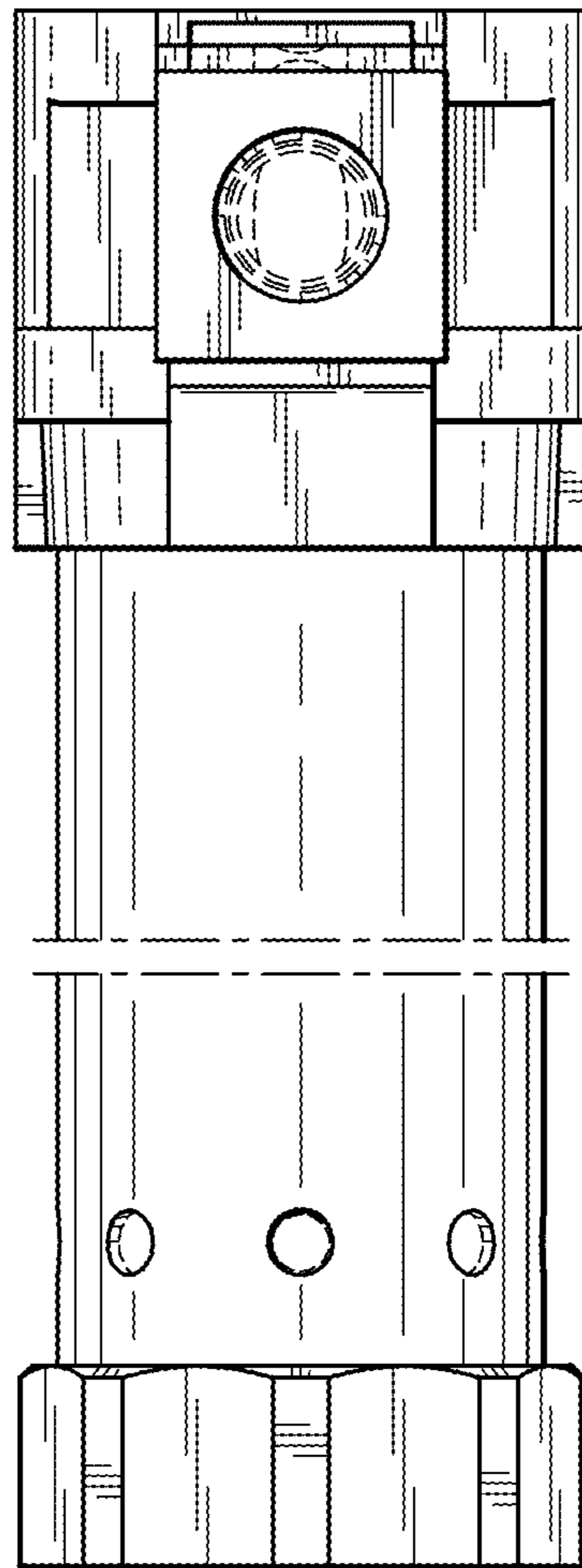


FIG. 6

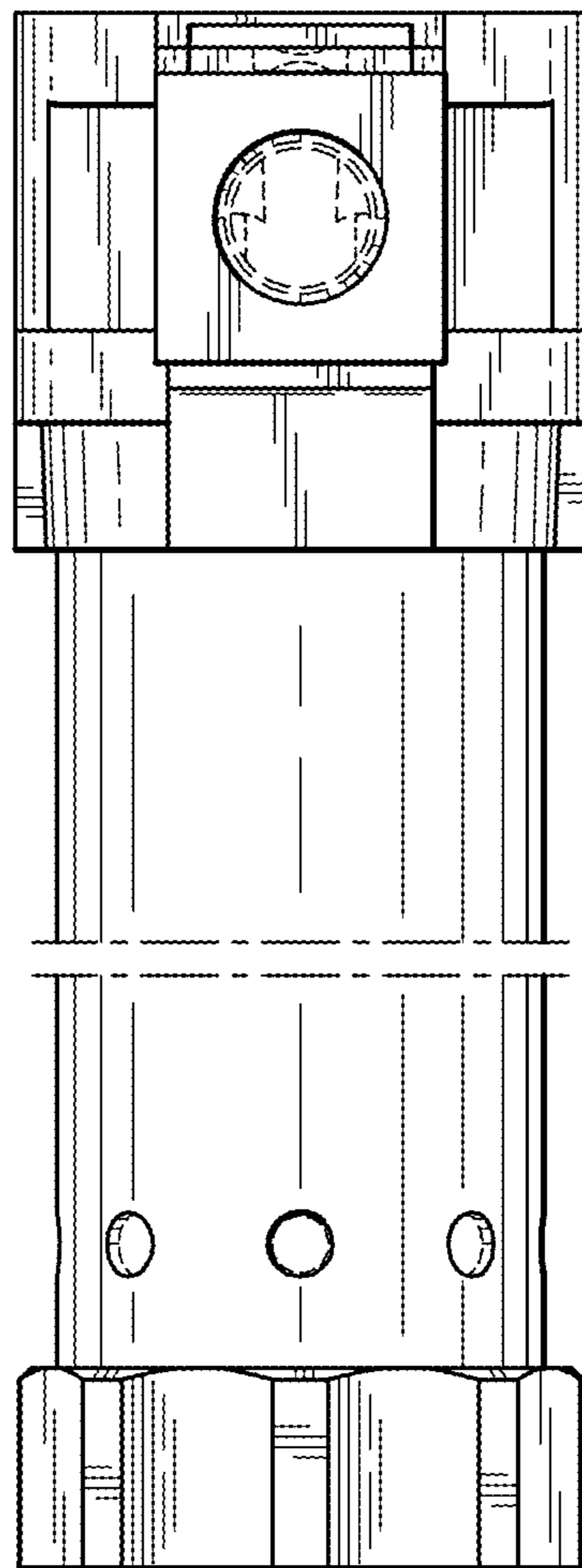


FIG. 7