



US00D973726S

(12) **United States Design Patent** (10) **Patent No.:** **US D973,726 S**
Uchida (45) **Date of Patent:** **** Dec. 27, 2022**

(54) **AIR DRYER**
(71) Applicant: **SMC CORPORATION**, Tokyo (JP)
(72) Inventor: **Shunsuke Uchida**, Tsukuba (JP)
(73) Assignee: **SMC CORPORATION**, Tokyo (JP)
(**) Term: **15 Years**

D890,297 S * 7/2020 Tanaka D23/209
D892,975 S * 8/2020 Tanaka D23/209
D893,674 S * 8/2020 Tanaka D23/209
D893,691 S * 8/2020 Graham D23/355
D894,330 S * 8/2020 Tanaka D23/209
D894,331 S * 8/2020 Tanaka D23/209
D960,290 S * 8/2022 Higaki D23/209
2014/0013956 A1 * 1/2014 Ericson B01D 53/0415
96/118

(21) Appl. No.: **29/774,648**
(22) Filed: **Mar. 18, 2021**

* cited by examiner
Primary Examiner — Calvin E Vansant
Assistant Examiner — Eidiol Ghigliotty Torres
(74) *Attorney, Agent, or Firm* — Oblon, McClelland,
Maier & Neustadt, L.L.P.

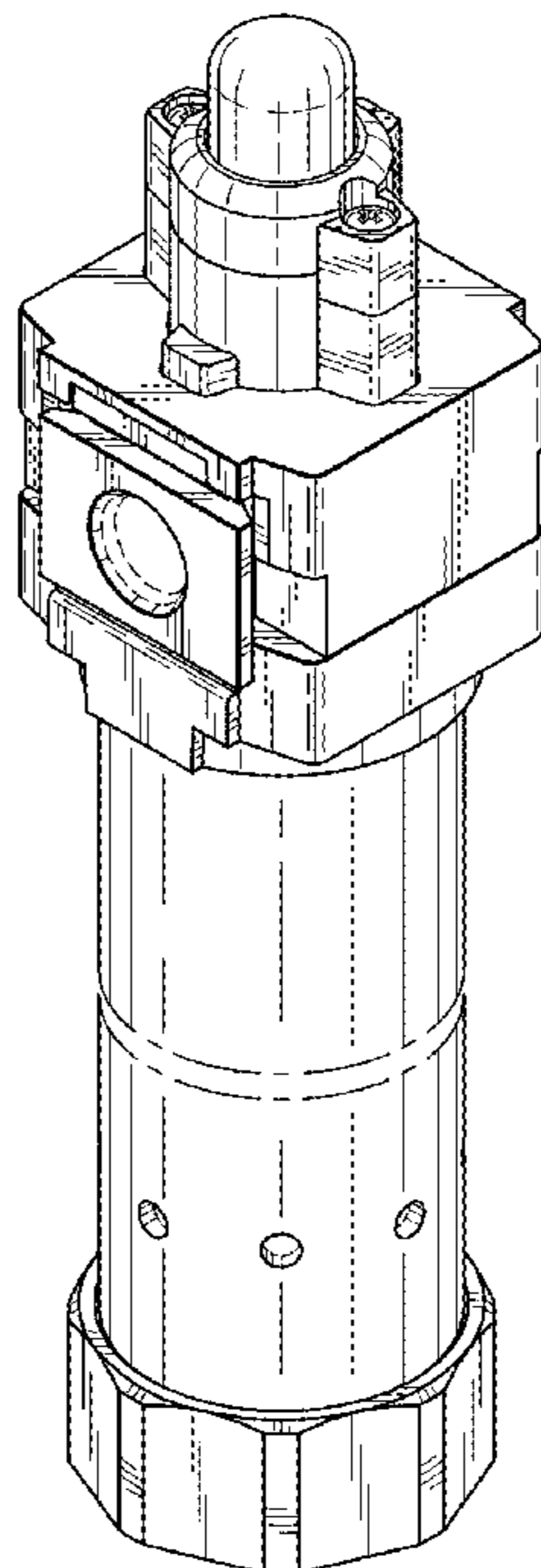
(30) **Foreign Application Priority Data**
Sep. 25, 2020 (JP) 2020-020425 D
(51) **LOC (13) Cl.** **15-07**
(52) **U.S. Cl.**
USPC **D15/89**; D15/1; D15/5; D23/209;
D23/355; D23/359; D23/364
(58) **Field of Classification Search**
USPC D15/1, 5, 89; D23/209, 355, 359, 364
CPC B01D 2257/80; B01D 53/26; B01D
2201/30; B01D 2201/52; B01D 2201/307;
B01D 2201/308
See application file for complete search history.

(57) **CLAIM**
The ornamental design for an air dryer, as shown and described.

(56) **References Cited**
U.S. PATENT DOCUMENTS
5,653,870 A * 8/1997 Tsuchiya B01D 35/30
210/450
5,715,621 A * 2/1998 Mitsch B60T 17/004
34/80
D604,821 S * 11/2009 Quinn D23/347
D629,090 S * 12/2010 Quinn D23/347
D888,886 S * 6/2020 Tanaka D23/209

DESCRIPTION
FIG. 1 is a front, top, and left side perspective view of an air dryer showing the new design.
FIG. 2 is a front, bottom, and left side perspective view thereof.
FIG. 3 is a front elevational view thereof, the rear elevational view being a mirror image of the front elevational view.
FIG. 4 is a top plan view thereof.
FIG. 5 is a bottom plan view thereof.
FIG. 6 is a left side elevational view thereof; and,
FIG. 7 is a right side elevational view thereof.
The evenly spaced broken lines depict portions of the air dryer that form no part of the claimed design. The air dryer is shown with a symbolic break in its length. The appearance of any portion of the article between the break lines forms no part of the claimed design.

1 Claim, 6 Drawing Sheets



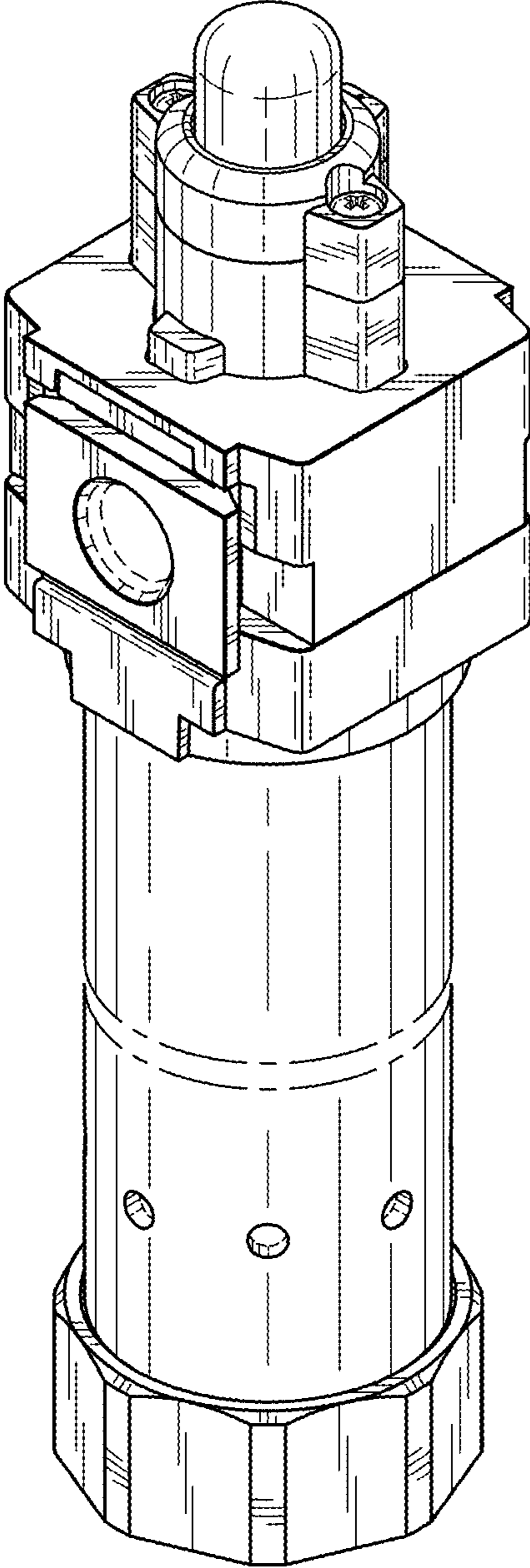


FIG. 1

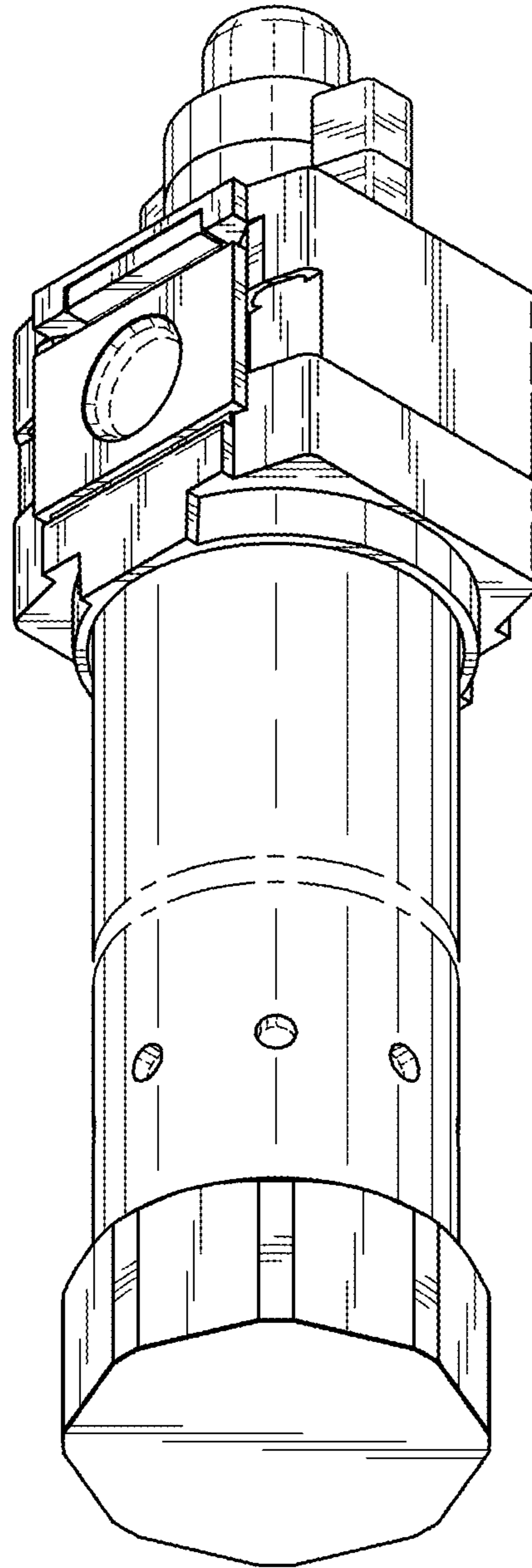


FIG. 2

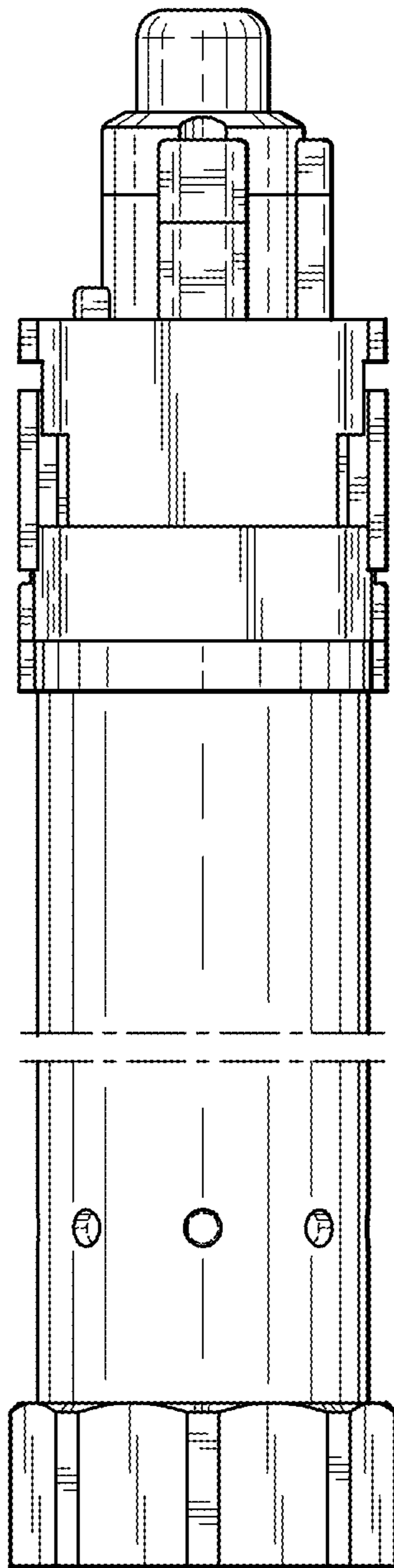


FIG. 3

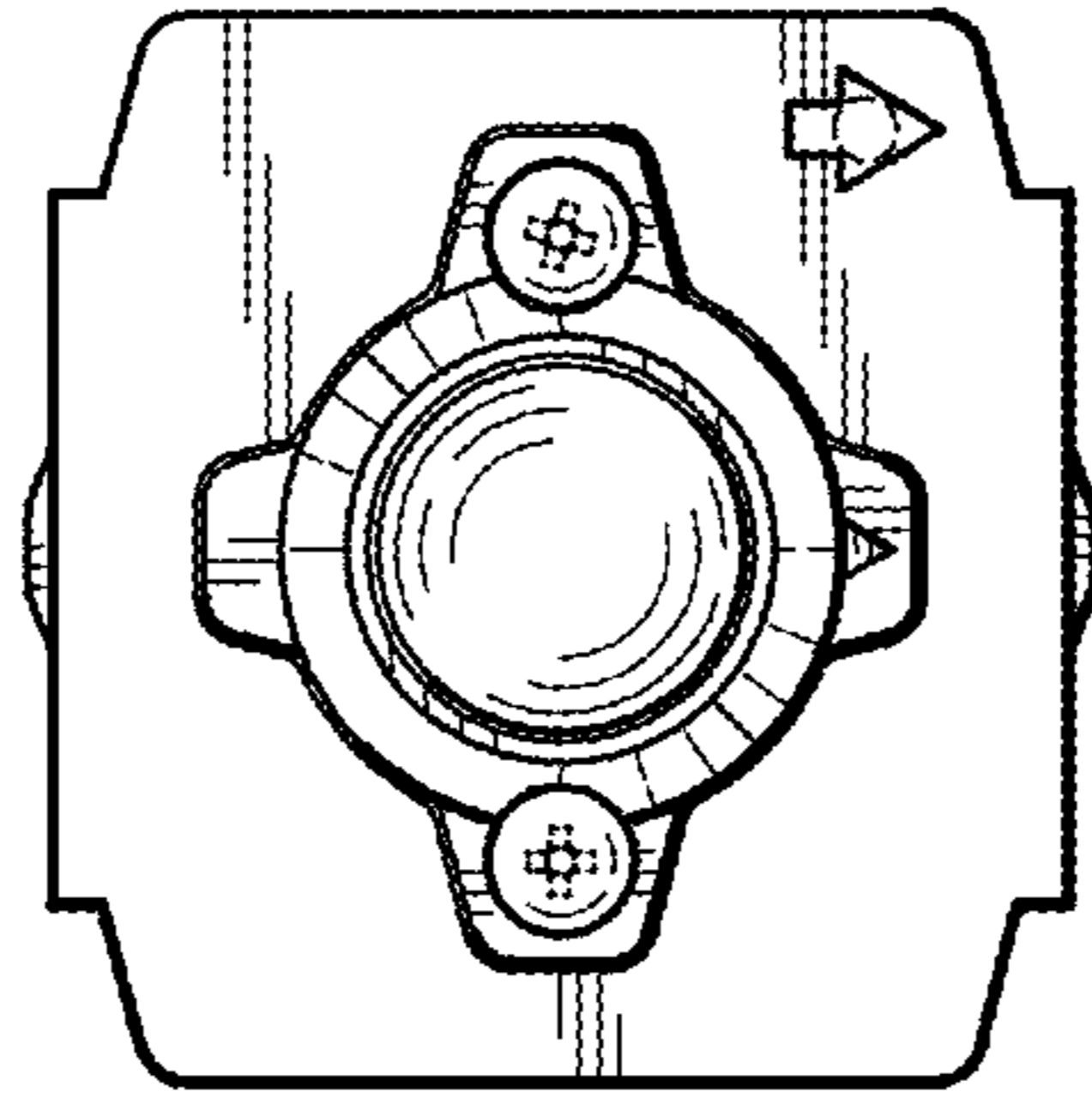


FIG. 4

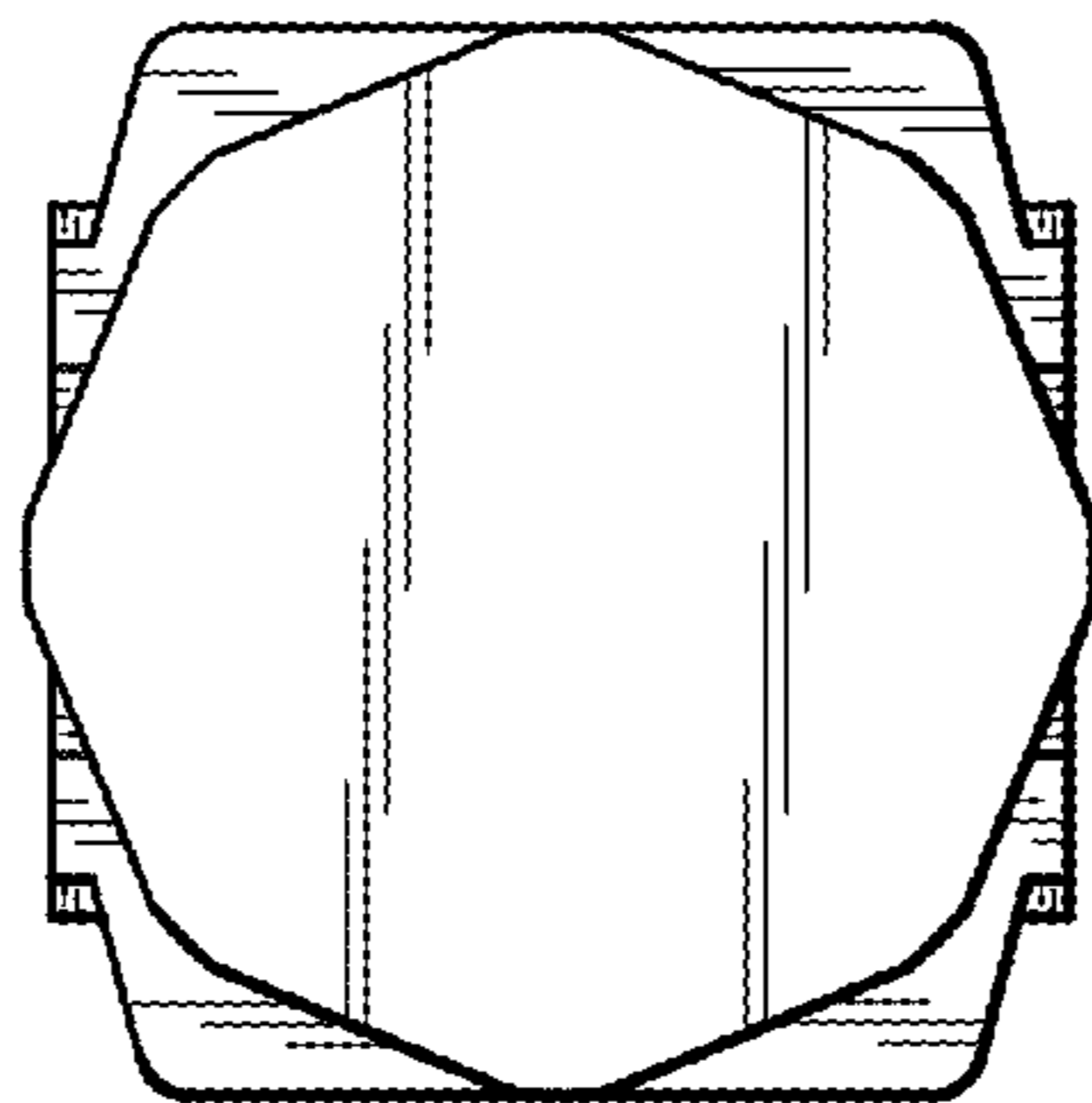


FIG. 5

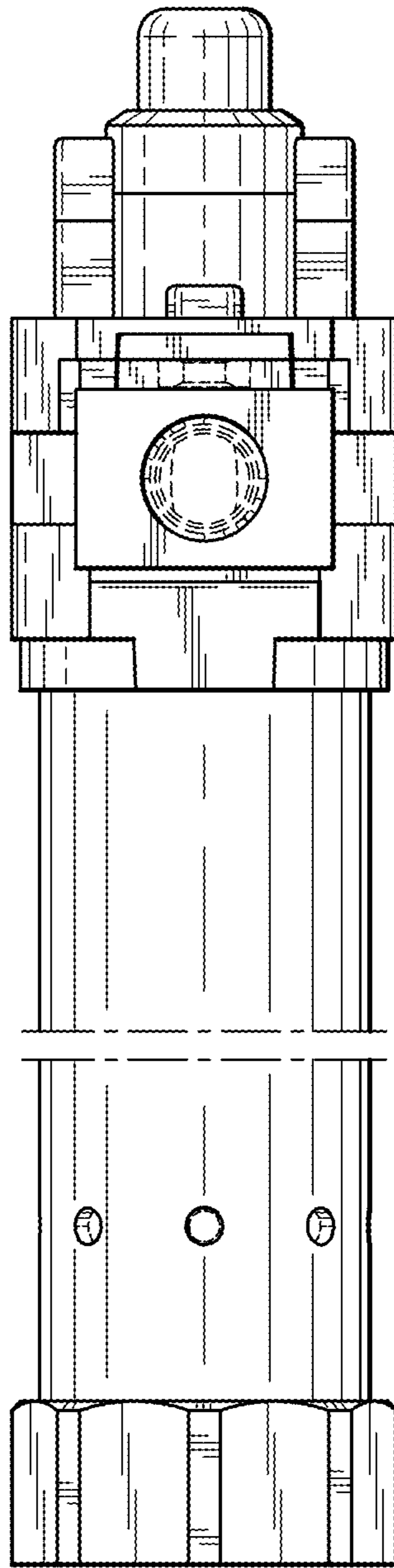


FIG. 6

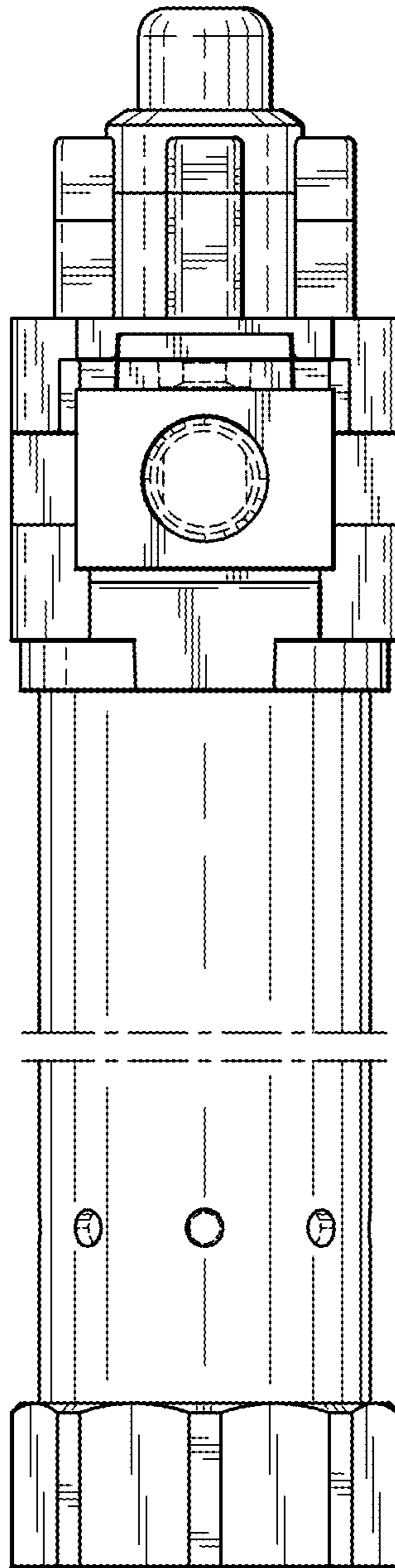


FIG. 7