



US00D973725S

(12) **United States Design Patent**
Uchida

(10) **Patent No.:** **US D973,725 S**

(45) **Date of Patent:** **** Dec. 27, 2022**

(54) **AIR DRYER**

(71) Applicant: **SMC CORPORATION**, Tokyo (JP)

(72) Inventor: **Shunsuke Uchida**, Tsukuba (JP)

(73) Assignee: **SMC CORPORATION**, Tokyo (JP)

(**) Term: **15 Years**

(21) Appl. No.: **29/774,646**

(22) Filed: **Mar. 18, 2021**

(30) **Foreign Application Priority Data**

Sep. 25, 2020 (JP) 2020-020426 D

(51) **LOC (13) Cl.** **15-07**

(52) **U.S. Cl.**
USPC **D15/89**; D15/1; D15/5; D23/209;
D23/355; D23/359; D23/364

(58) **Field of Classification Search**
USPC D15/1, 5, 89; D23/209, 355, 359, 364
CPC B01D 2201/30; B01D 2201/52; B01D
2201/307; B01D 2201/308; B01D
2257/80; B01D 53/26
See application file for complete search history.

(56) **References Cited**

U.S. PATENT DOCUMENTS

- 5,653,870 A * 8/1997 Tsuchiya B01D 35/30
210/450
- 5,715,621 A * 2/1998 Mitsch B60T 17/004
34/80
- D604,821 S * 11/2009 Quinn D23/347
- D629,090 S * 12/2010 Quinn D23/347
- D888,886 S * 6/2020 Tanaka D23/209

- D890,297 S * 7/2020 Tanaka D23/209
- D892,975 S * 8/2020 Tanaka D23/209
- D893,674 S * 8/2020 Tanaka D23/209
- D893,691 S * 8/2020 Graham D23/355
- D894,330 S * 8/2020 Tanaka D23/209
- D894,331 S * 8/2020 Tanaka D23/209
- D960,290 S * 8/2022 Higaki D23/209
- 2014/0013956 A1 * 1/2014 Ericson B01D 53/0415
96/118

* cited by examiner

Primary Examiner — Calvin E Vansant
Assistant Examiner — Eidiol Ghigliotty Torres
(74) *Attorney, Agent, or Firm* — Oblon, McClelland,
Maier & Neustadt, L.L.P.

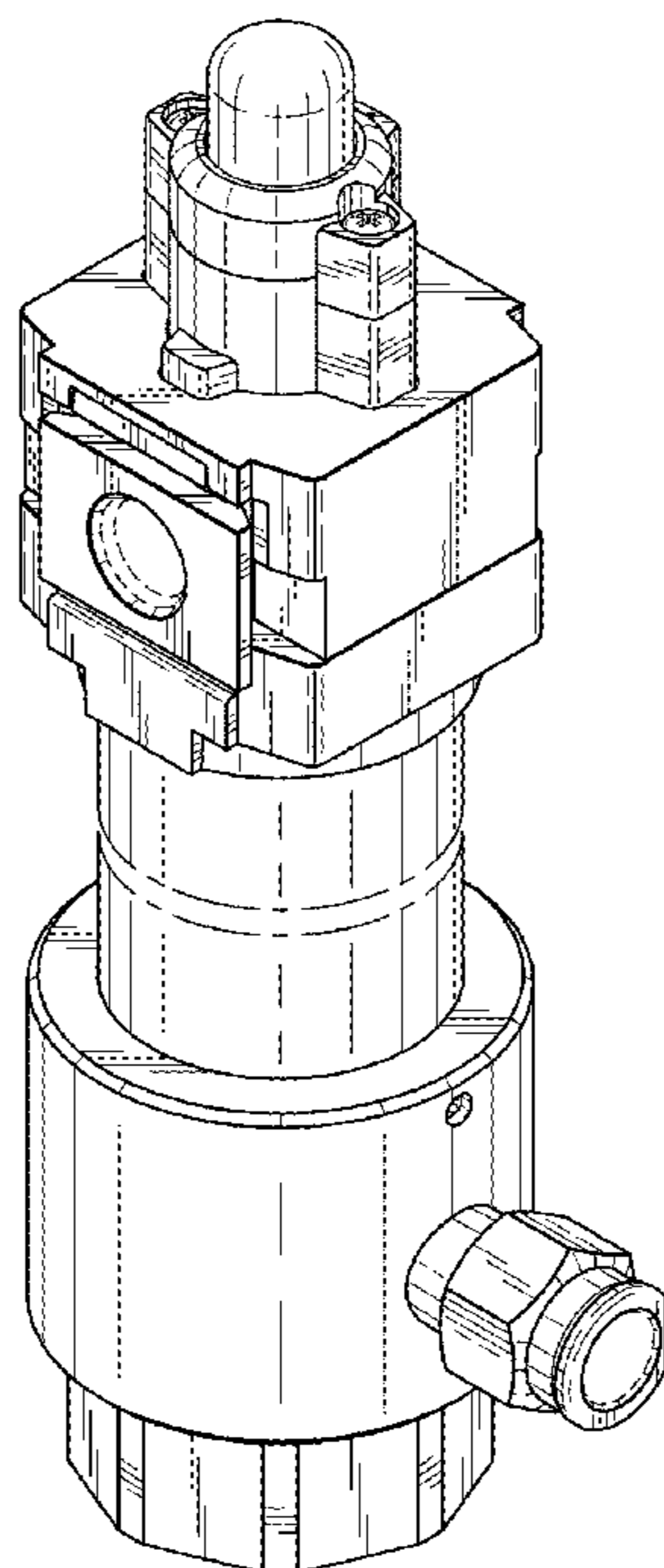
(57) **CLAIM**

The ornamental design for an air dryer, as shown and described.

DESCRIPTION

FIG. 1 is a front, top, and left side perspective view of an air dryer showing the new design.
FIG. 2 is a front, bottom, and left side perspective view thereof.
FIG. 3 is a front elevational view thereof.
FIG. 4 is a rear elevational view thereof.
FIG. 5 is a top plan view thereof.
FIG. 6 is a bottom plan view thereof.
FIG. 7 is a left side elevational view thereof; and,
FIG. 8 is a right side elevational view thereof.
The evenly spaced broken lines depict portions of the air dryer that form no part of the claimed design. The air dryer is shown with a symbolic break in its length. The appearance of any portion of the article between the break lines forms no part of the claimed design.

1 Claim, 7 Drawing Sheets



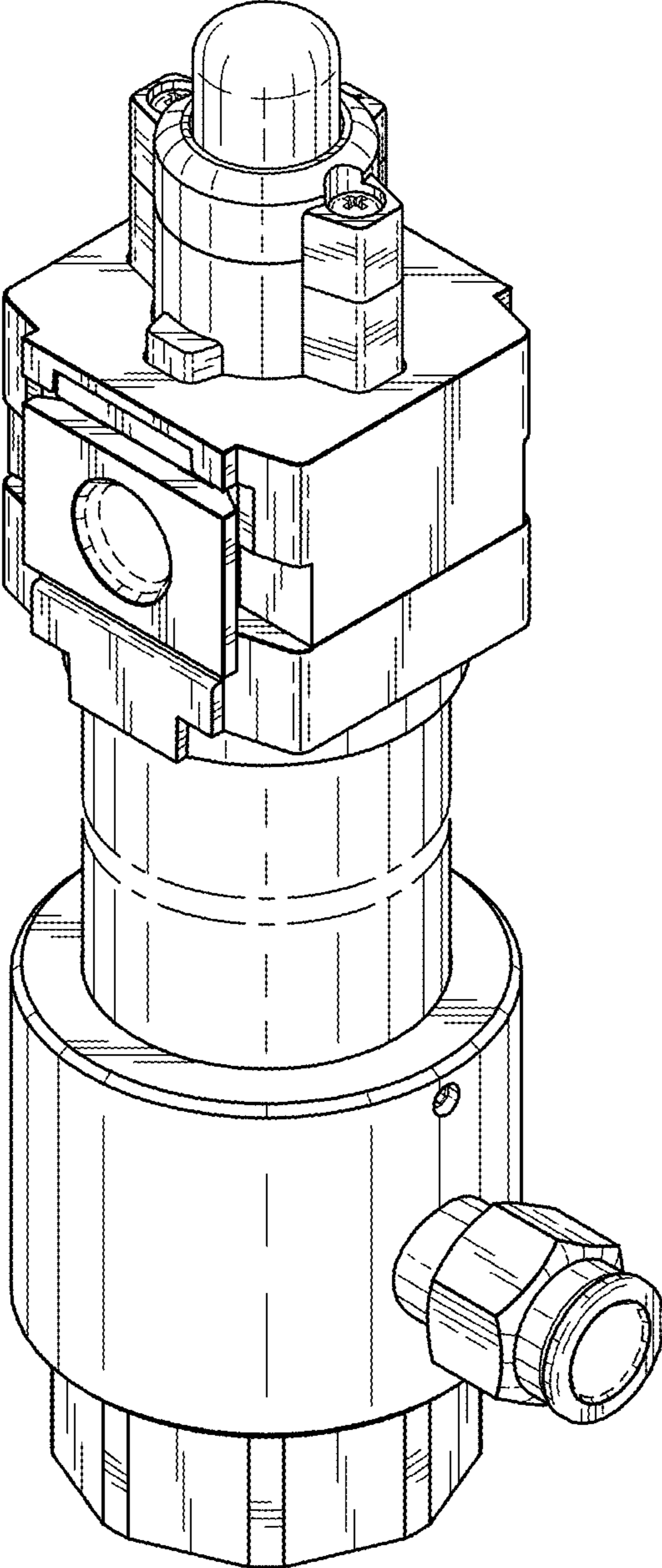


FIG. 1

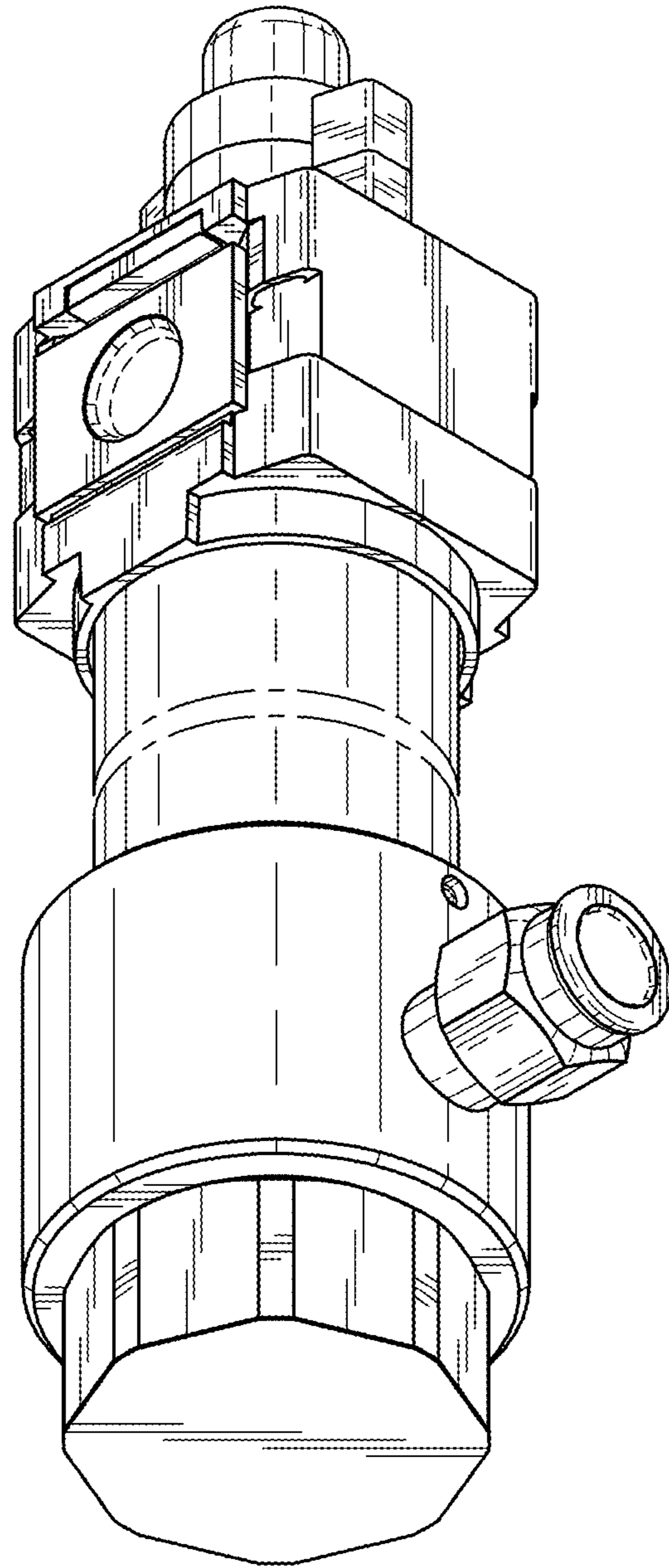


FIG. 2

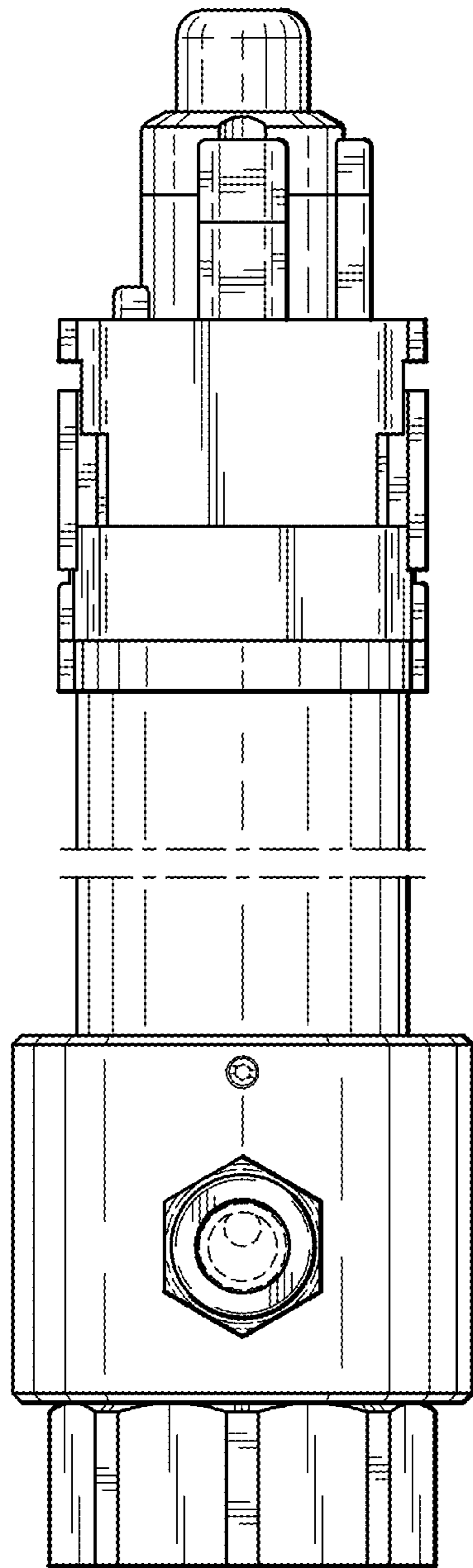


FIG. 3

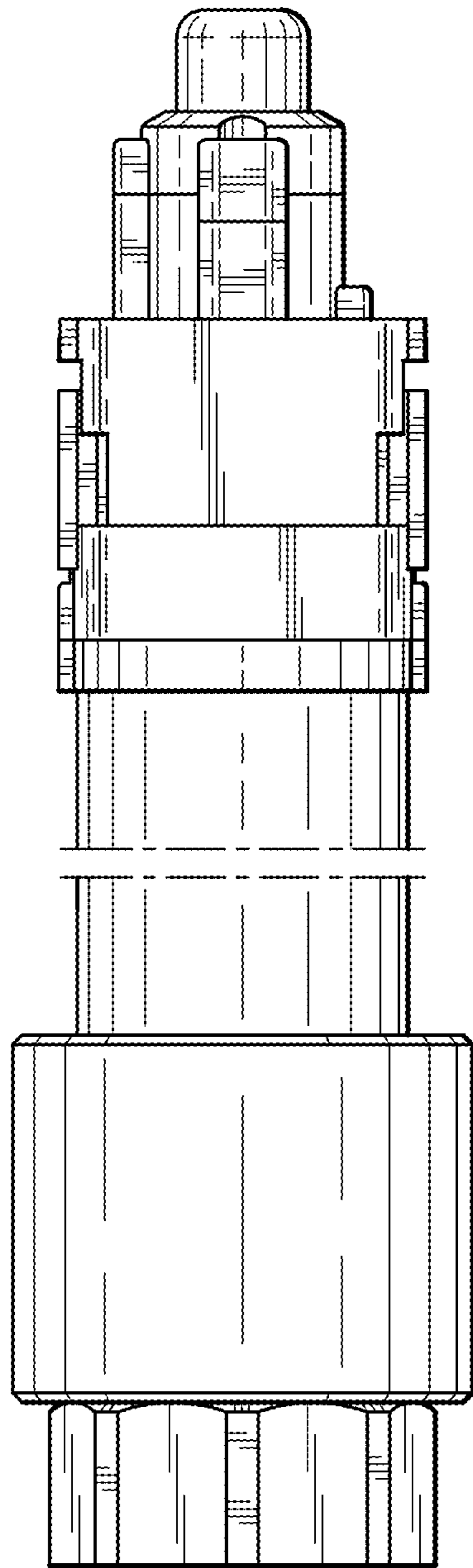


FIG. 4

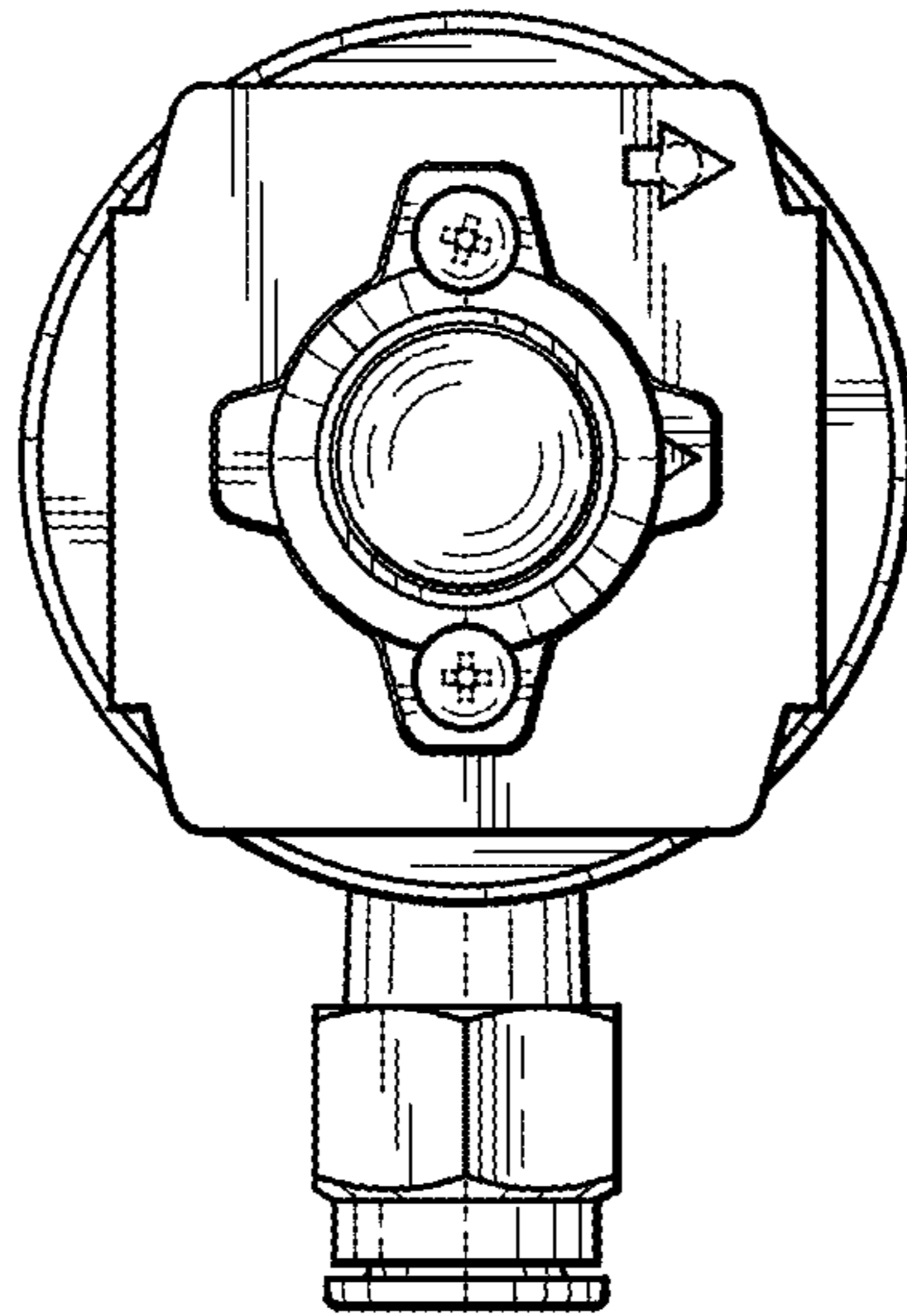


FIG. 5

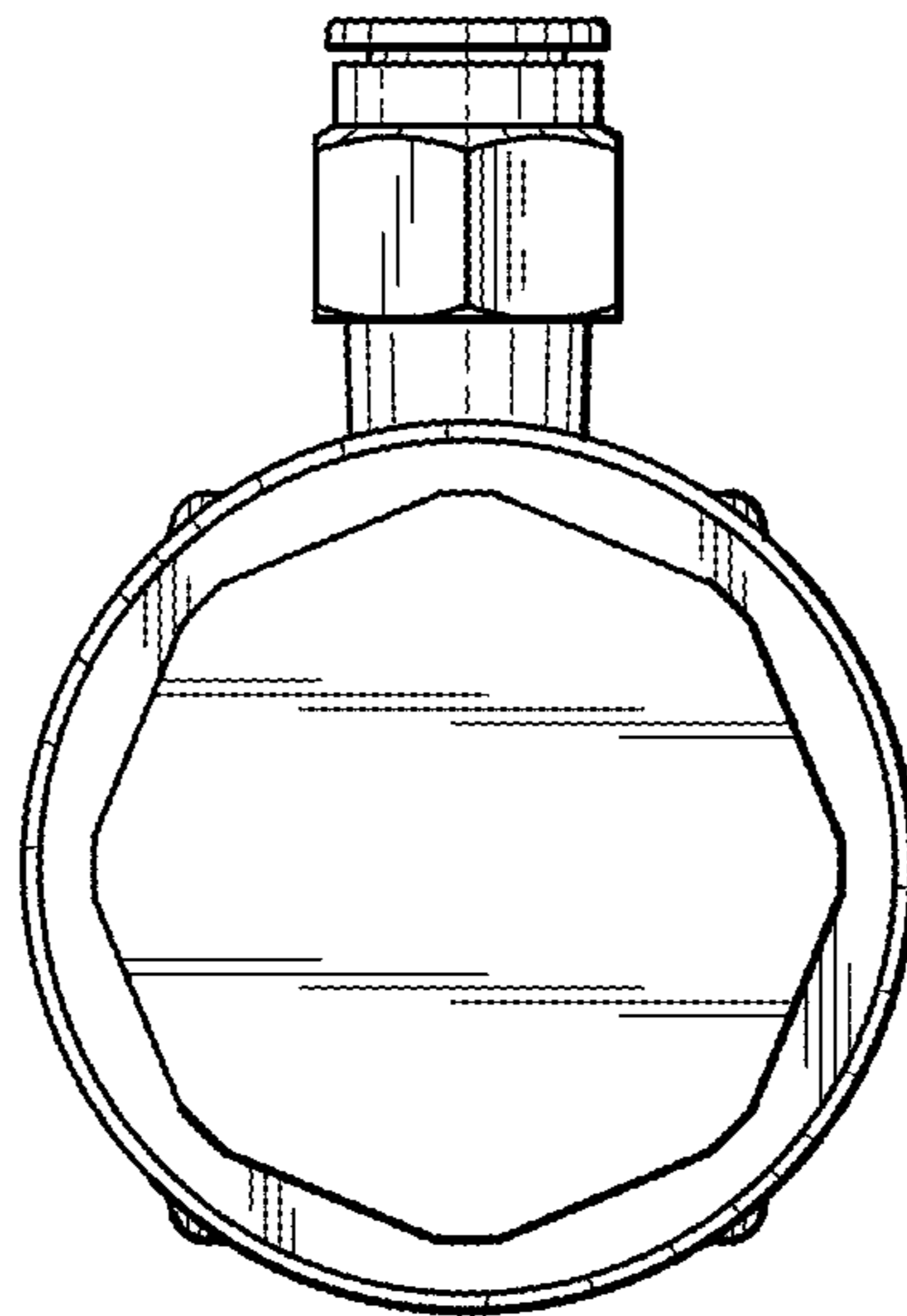


FIG. 6

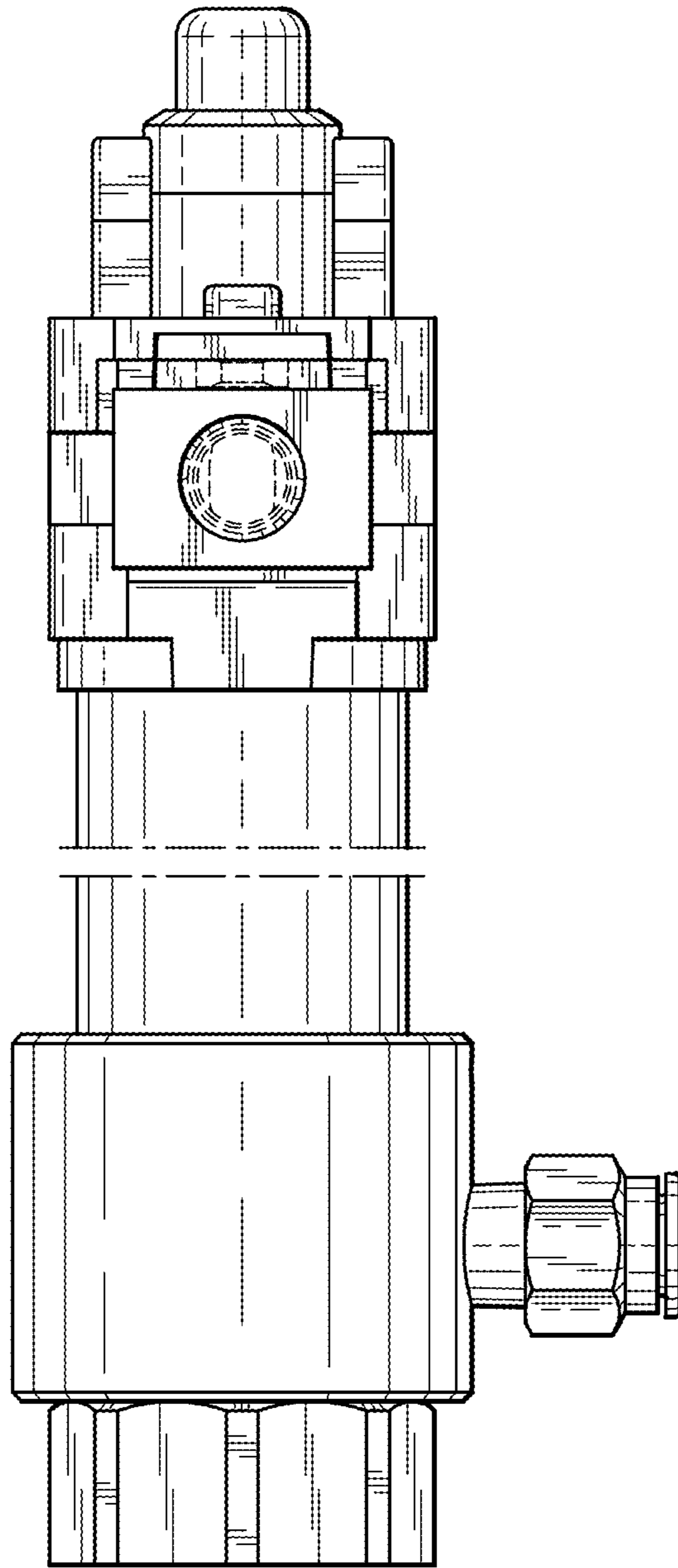


FIG. 7

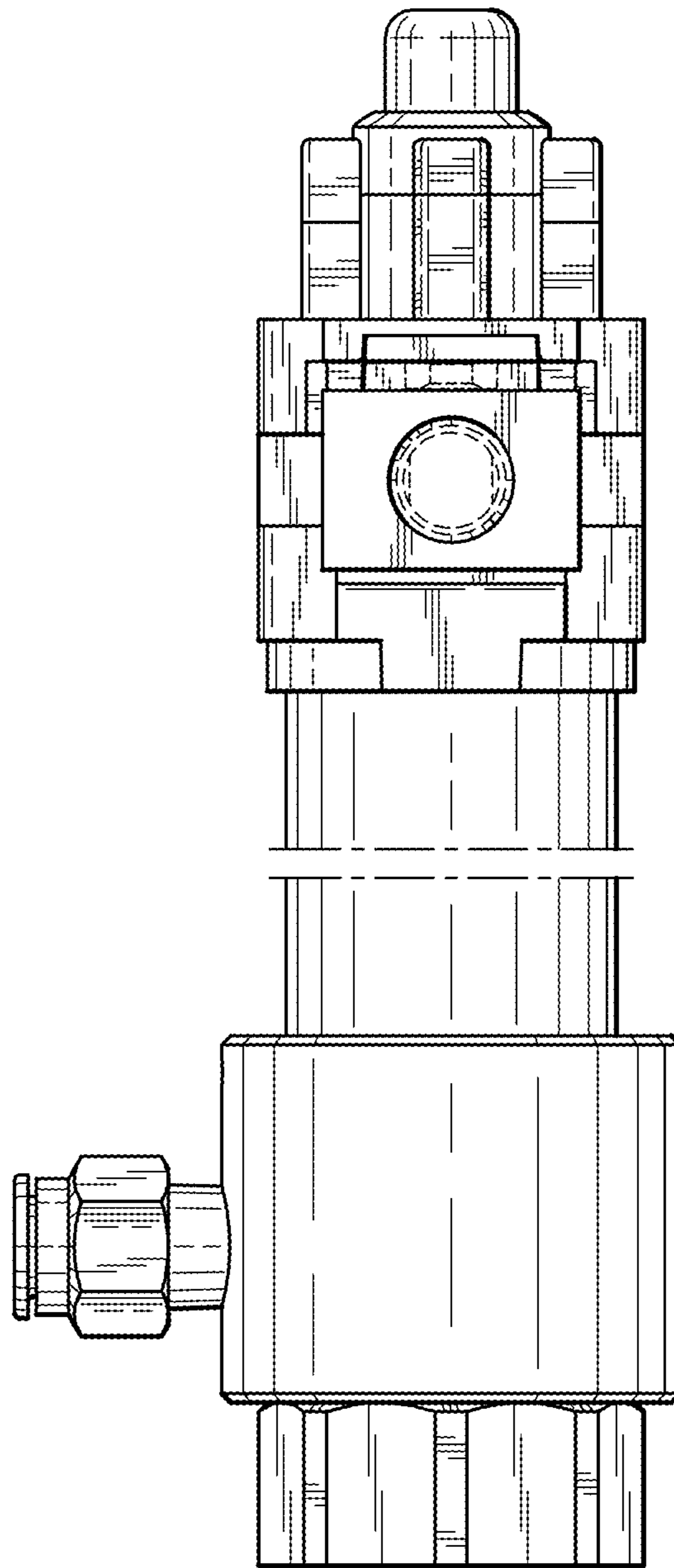


FIG. 8