



US00D973724S

(12) **United States Design Patent**
Shen

(10) **Patent No.:** **US D973,724 S**

(45) **Date of Patent:** **** Dec. 27, 2022**

(54) **ICE MAKER**

(71) Applicant: **Jiangsu Haitu Information Technology Co., Ltd., Nanjing (CN)**

(72) Inventor: **Peng Shen, Nanjing (CN)**

(**) Term: **15 Years**

(21) Appl. No.: **29/847,007**

(22) Filed: **Jul. 20, 2022**

(30) **Foreign Application Priority Data**

Jul. 1, 2022 (CN) 202230412099.1

(51) **LOC (13) Cl.** **15-07**

(52) **U.S. Cl.**
USPC **D15/79**

(58) **Field of Classification Search**
USPC D15/79-91; D7/603-608; D3/272-274
CPC F25D 17/02; F25D 11/003; F25D 19/003;
F25D 19/02; F25D 21/04; F25D 2201/14;
F25D 2331/803; F25D 2331/805; F25D
23/006; F25D 23/028; F25D 23/065;
F25D 23/066; F25D 23/085; F25D
2400/20; F25D 2400/28; F25D 2400/38;
F25D 2700/16; F25D 29/00; F25D
29/003; F25D 29/005; F25D 31/006;
F25D 31/007

See application file for complete search history.

(56) **References Cited**

U.S. PATENT DOCUMENTS

D877,210 S 3/2020 Letcher et al.
10,731,919 B1 * 8/2020 Gutierrez F25D 27/005
D905,129 S * 12/2020 Deng D15/81
D906,377 S * 12/2020 Tang D15/79
D907,074 S * 1/2021 Yang D15/83

D917,977 S * 5/2021 Brunner D7/605
D922,148 S * 6/2021 Yang D7/605
D922,454 S * 6/2021 Tang D15/79
D927,939 S * 8/2021 Ellison D7/605
D929,189 S * 8/2021 Pennington D7/605
D937,328 S * 11/2021 Tang D15/79
D958,845 S * 7/2022 Zhao D15/79
2005/0258118 A1 * 11/2005 Lee A47B 73/002
211/134
2007/0228909 A1 * 10/2007 Hwang F25D 31/007
312/408
2021/0018250 A1 * 1/2021 Tang F25B 27/00
2021/0229893 A1 * 7/2021 Maldonado B65D 43/22
2021/0285710 A1 * 9/2021 Barros F25D 3/08
2021/0285716 A1 * 9/2021 Kalajyan B65D 25/20
2021/0296711 A1 * 9/2021 Zhao H02J 7/0045

* cited by examiner

Primary Examiner — Khawaja Anwar

(57) **CLAIM**

The ornamental design for an ice maker, as shown and described.

DESCRIPTION

FIG. 1 is a front and top perspective view of an ice maker, showing my new design;
FIG. 2 is a rear and bottom perspective view thereof;
FIG. 3 is a front elevation view thereof;
FIG. 4 is a rear elevation view thereof;
FIG. 5 is a left side elevation view thereof;
FIG. 6 is a right side elevation view thereof;
FIG. 7 is a top plan view thereof;
FIG. 8 is a bottom plan view thereof; and,
FIG. 9 is an enlarged perspective view of detail "9" identified in FIG. 1.

The dash dot dash lines in FIGS. 1 and 9 are for the purpose of depicting the boundary lines of the enlarged view and form no part of the claimed design.

1 Claim, 9 Drawing Sheets

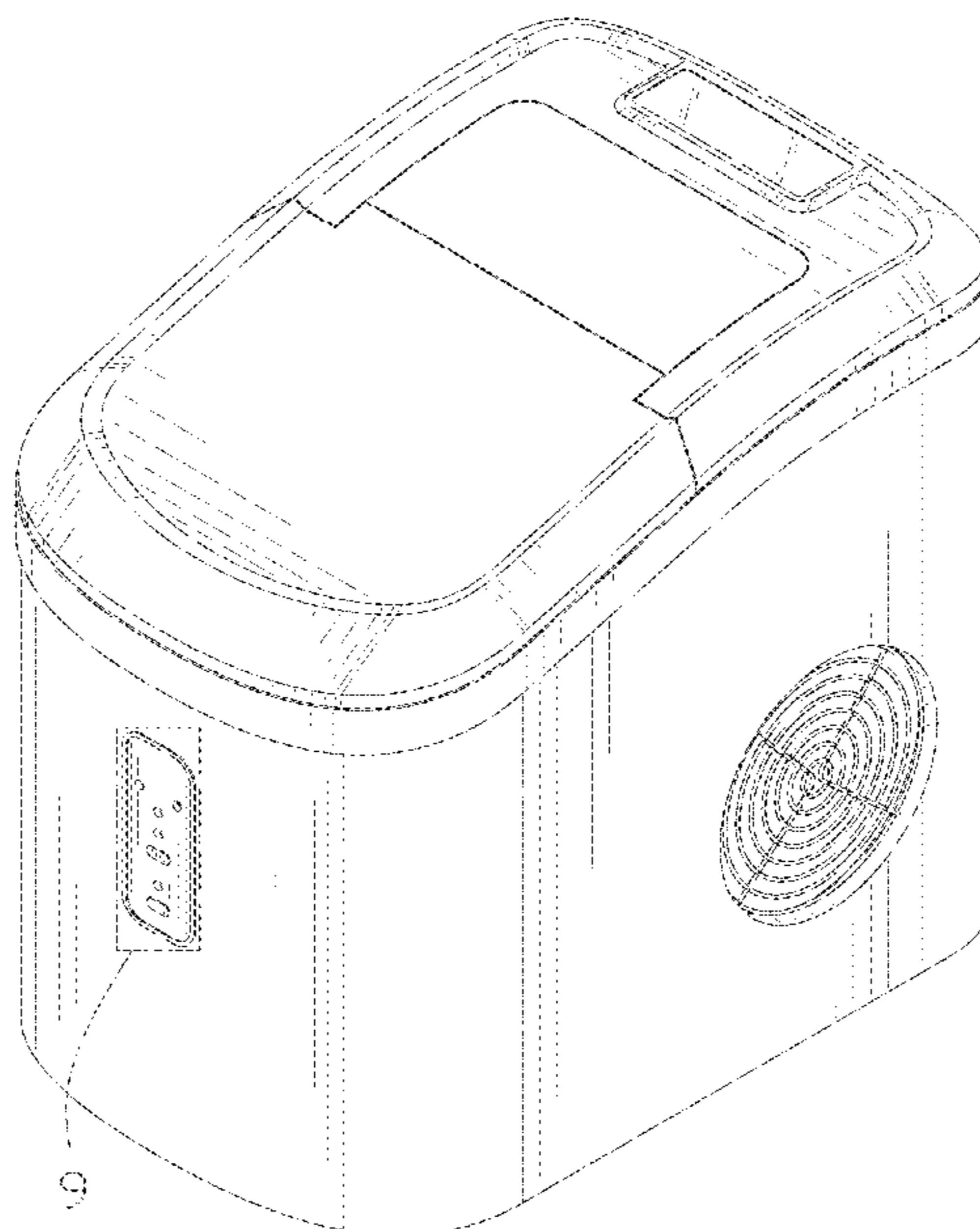




FIG. 1

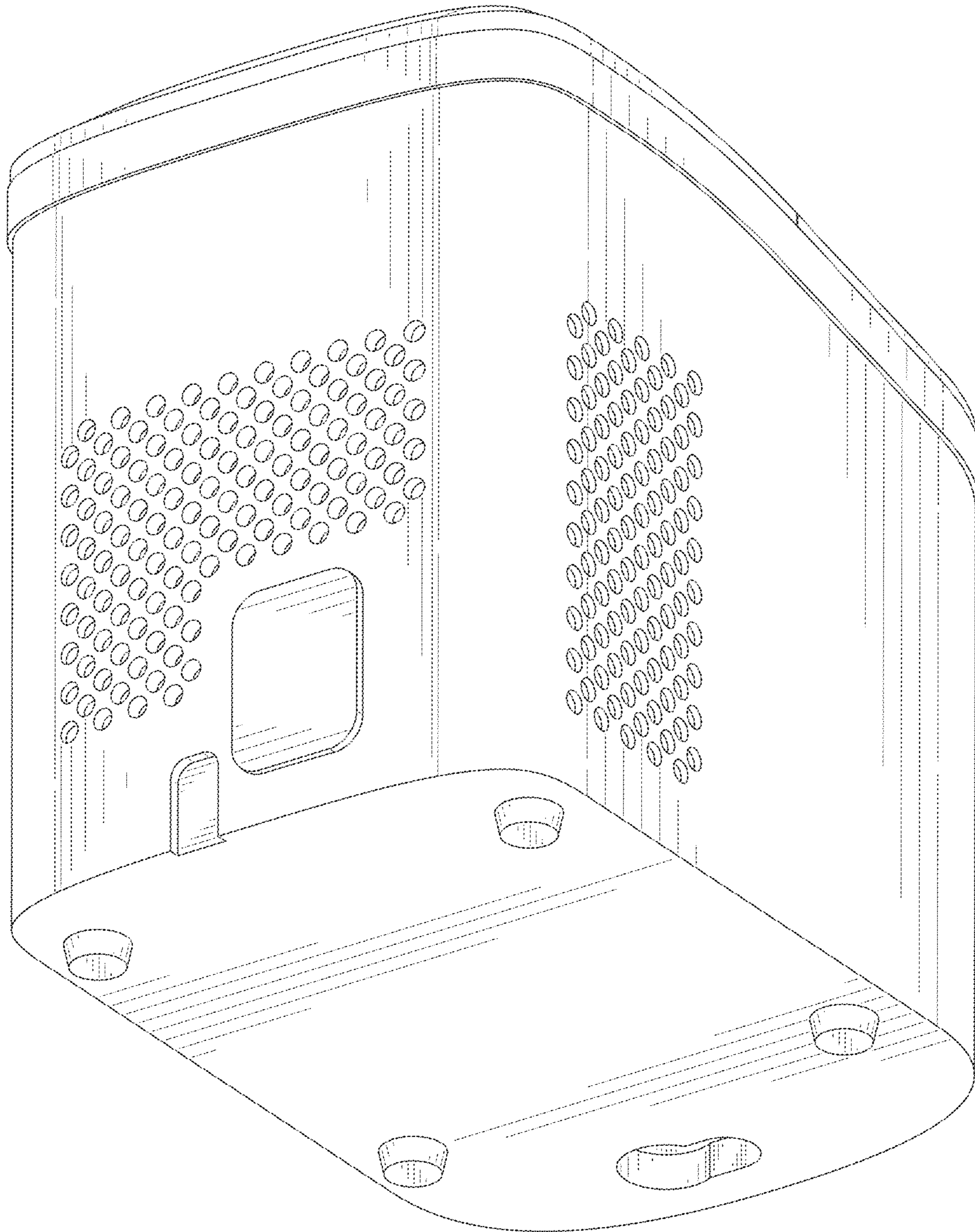


FIG. 2

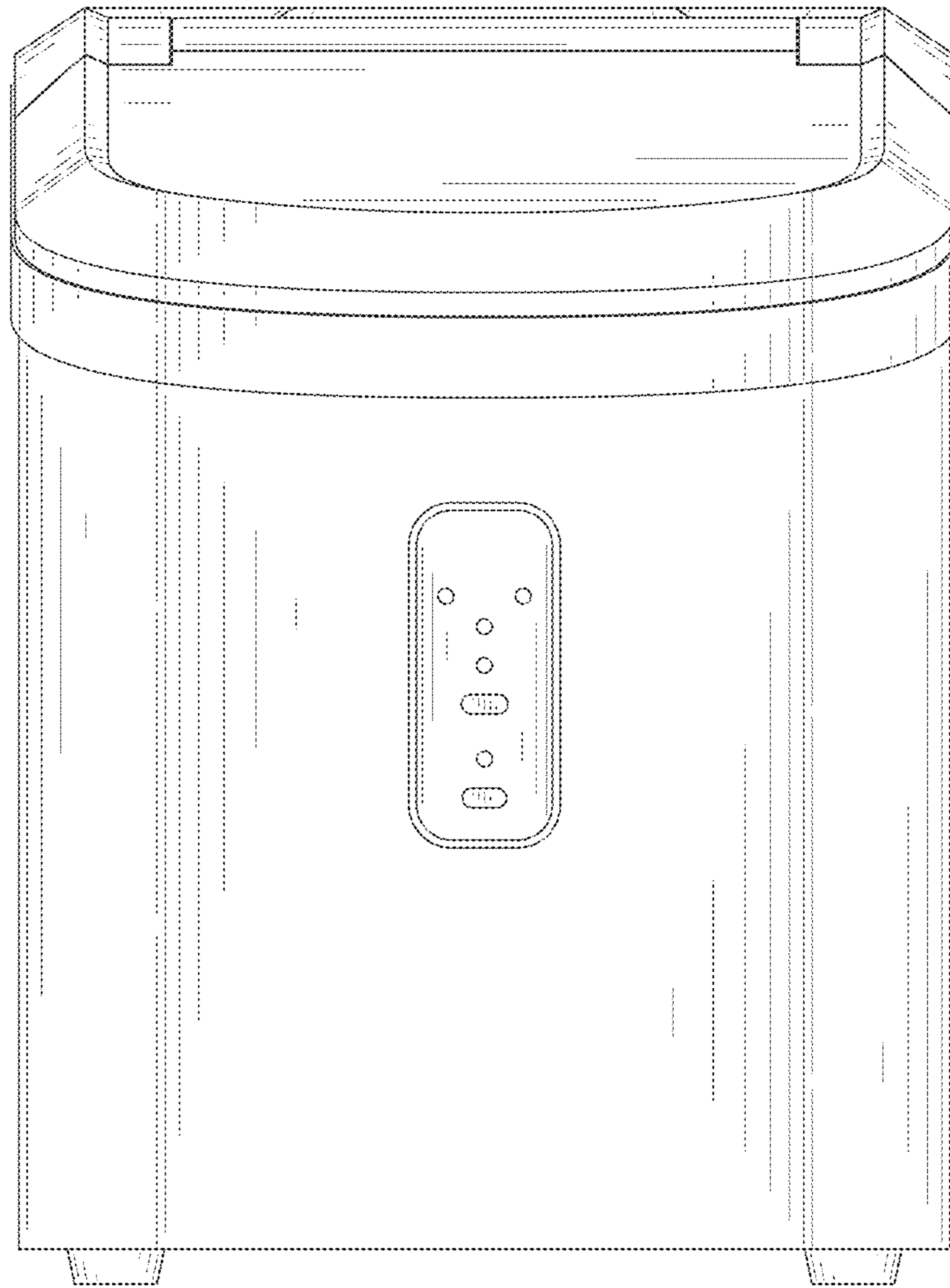


FIG. 3

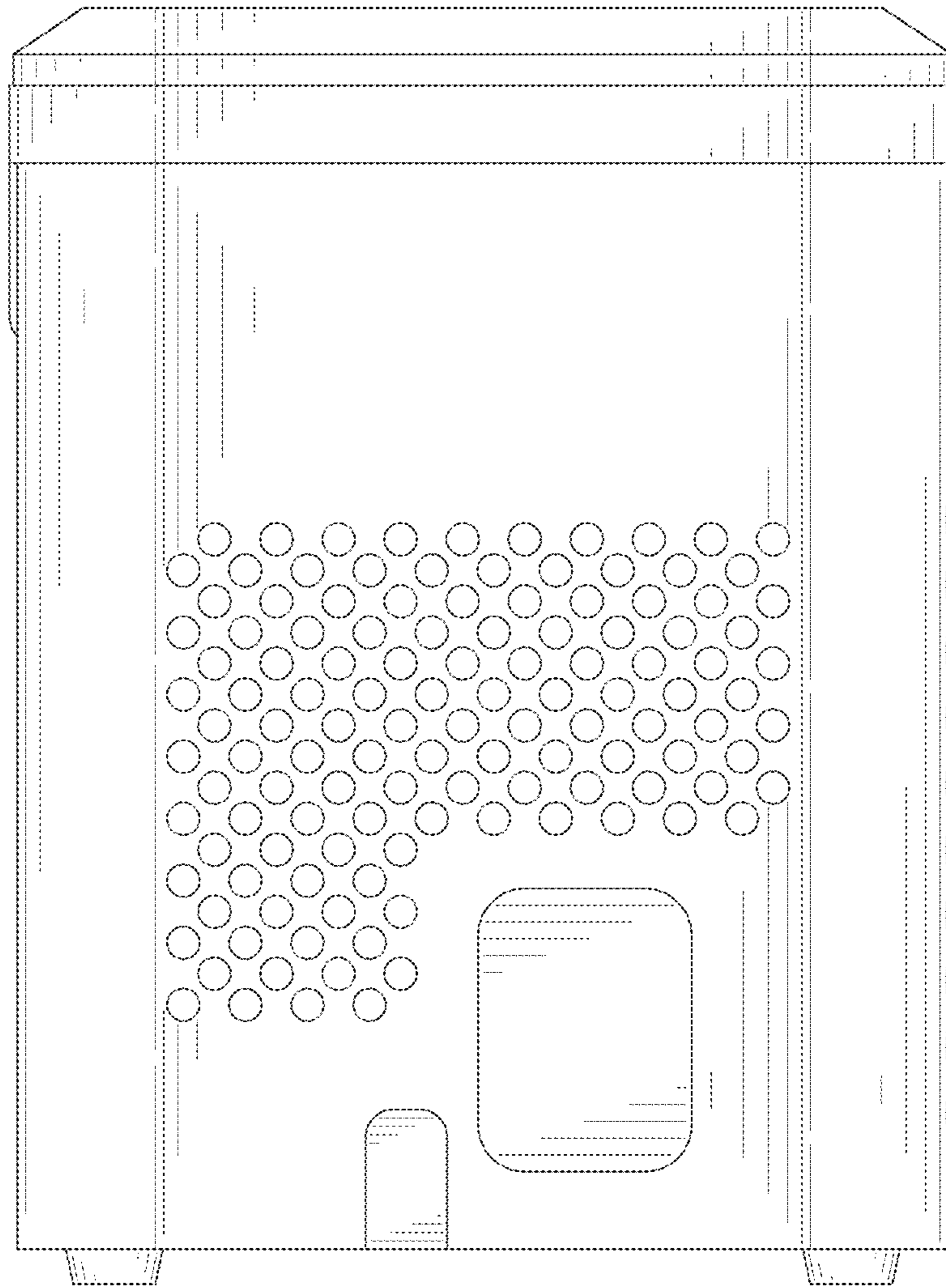


FIG. 4

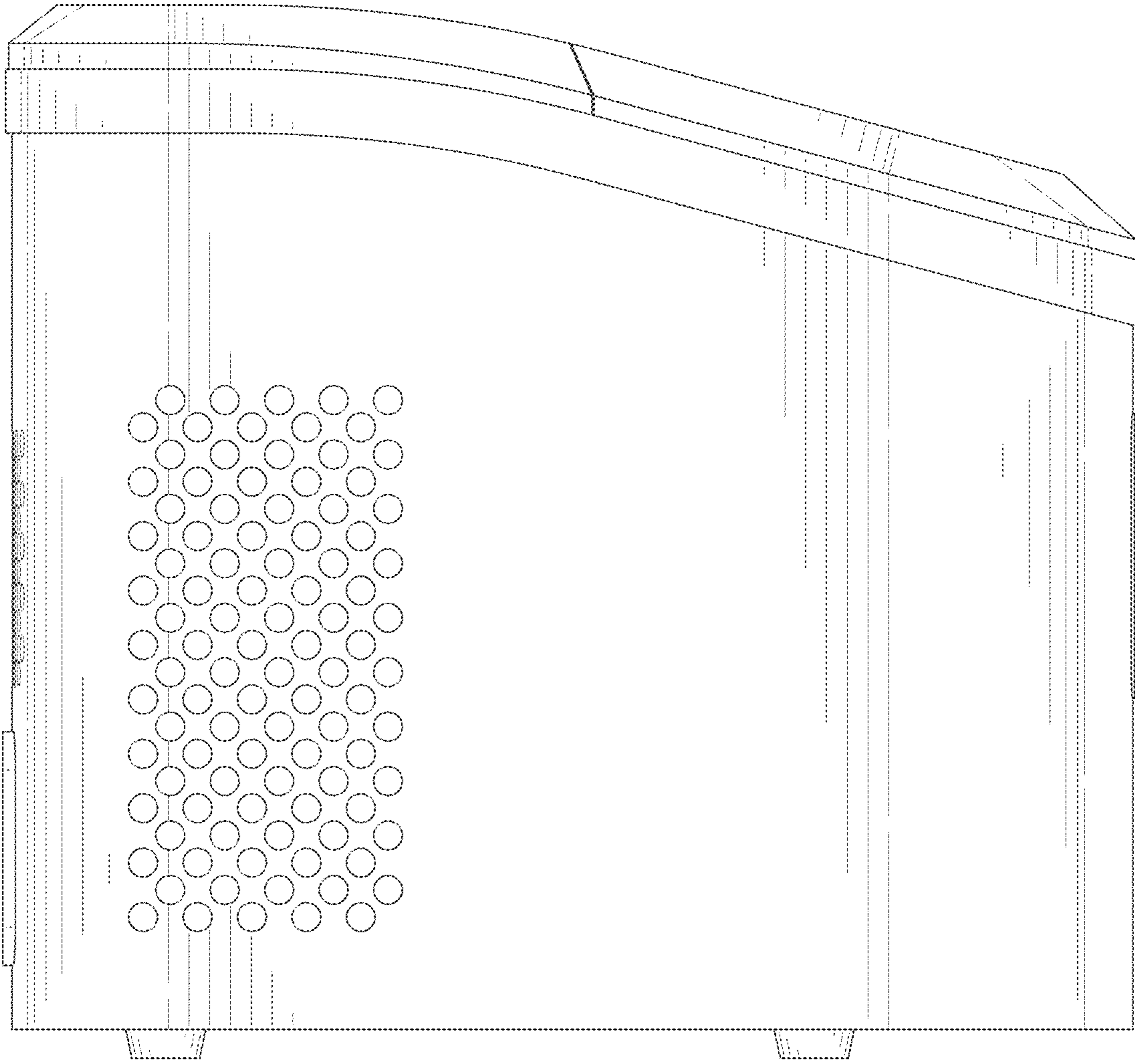


FIG. 5

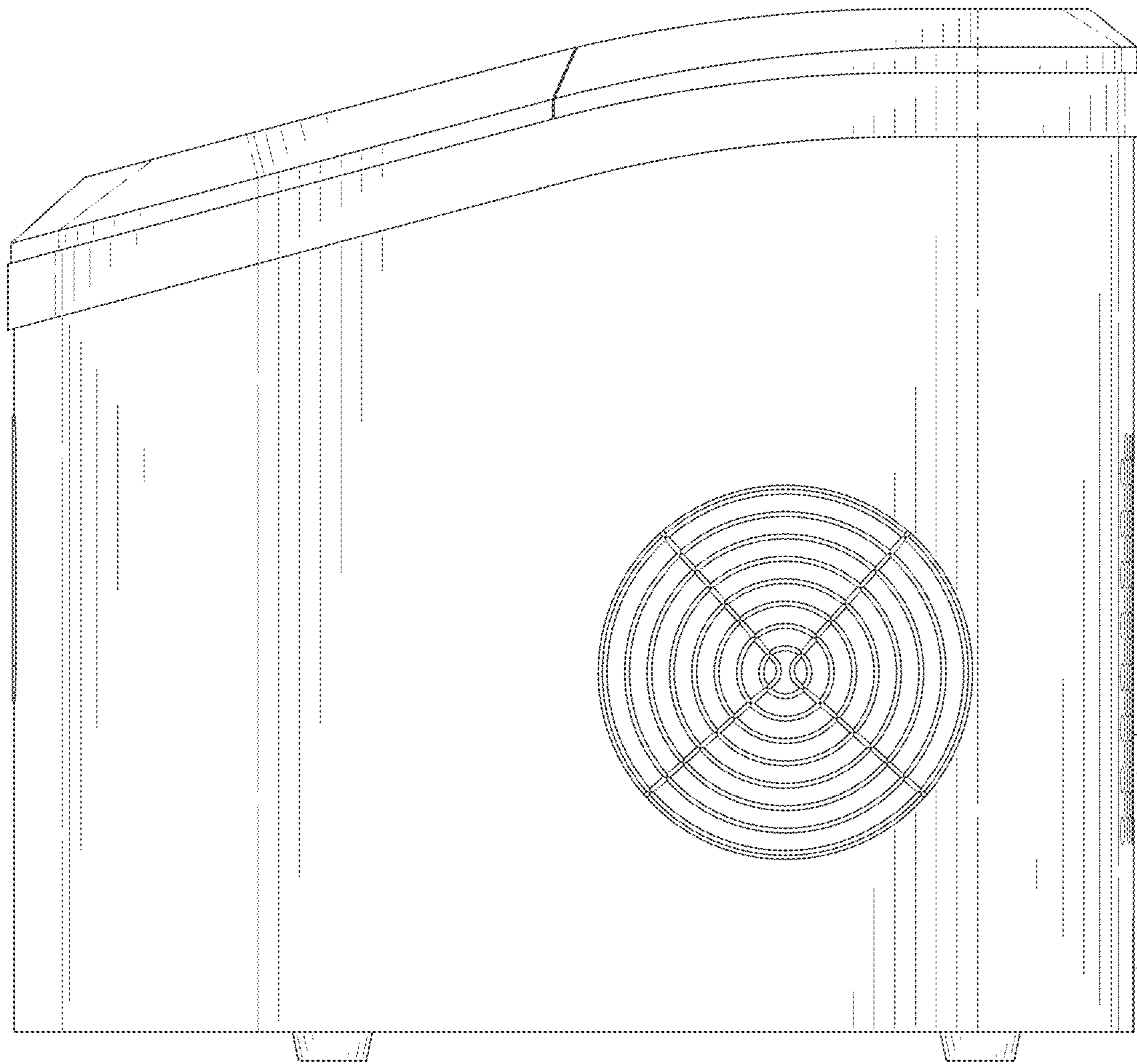


FIG. 6

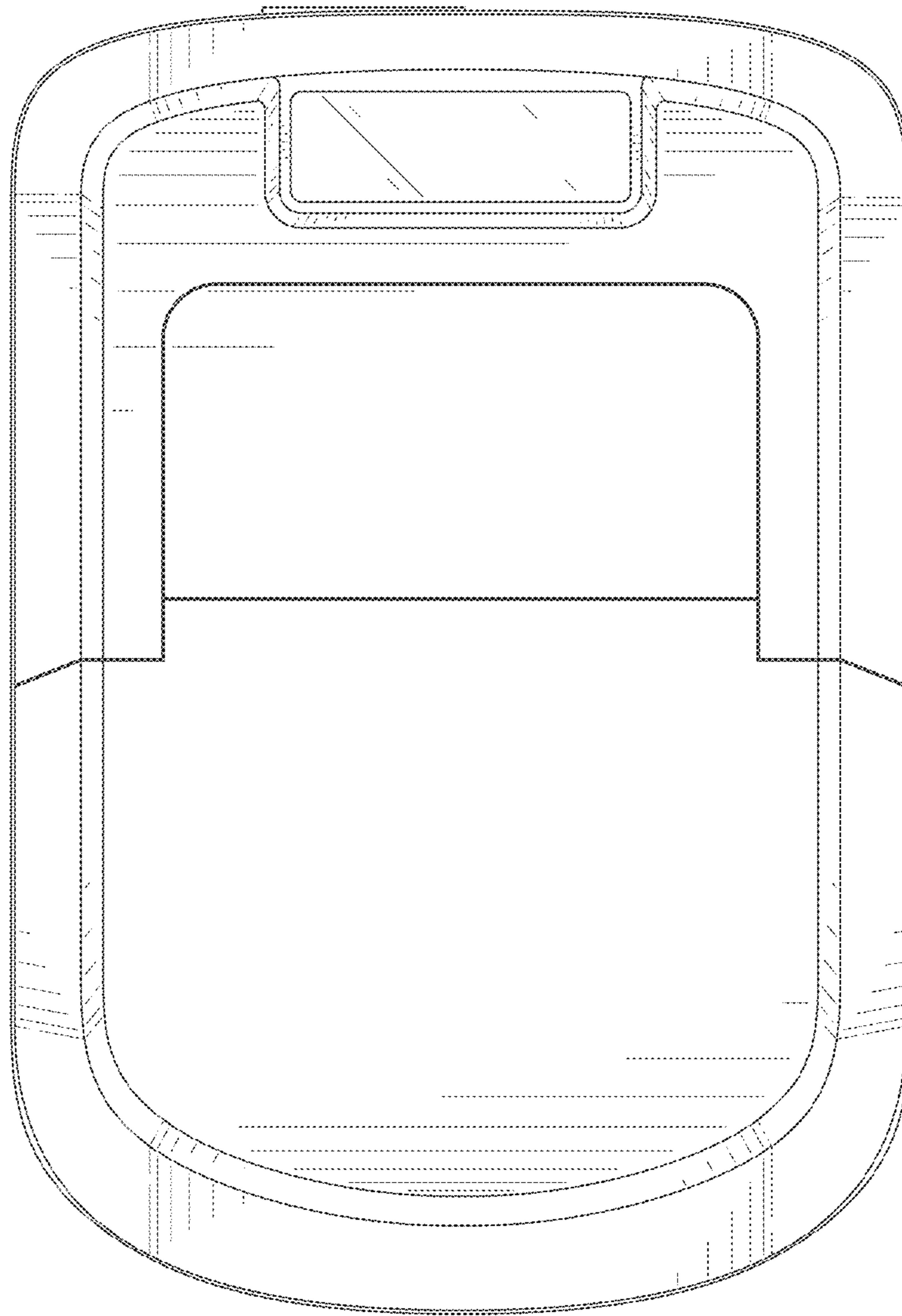


FIG. 7

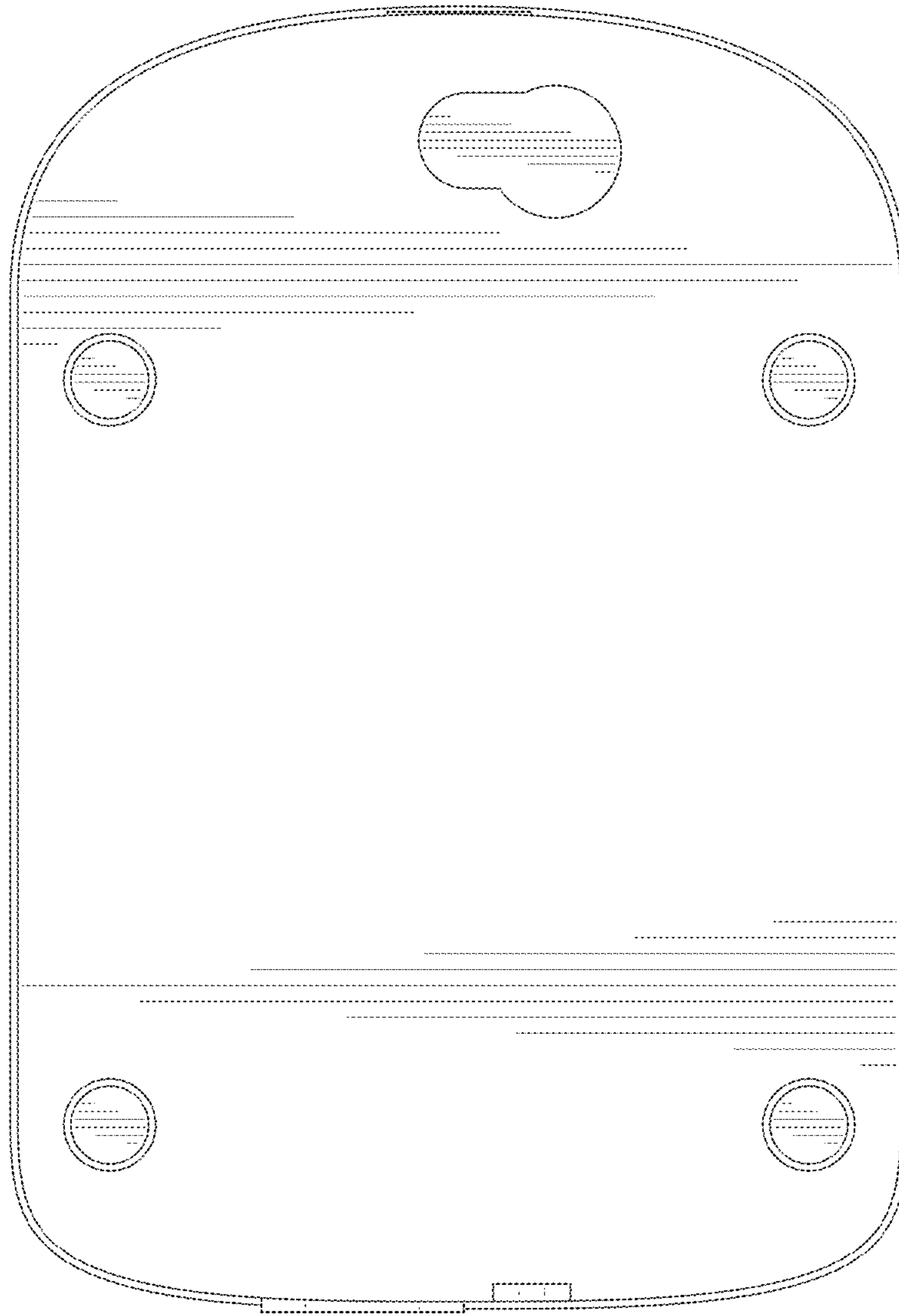


FIG. 8

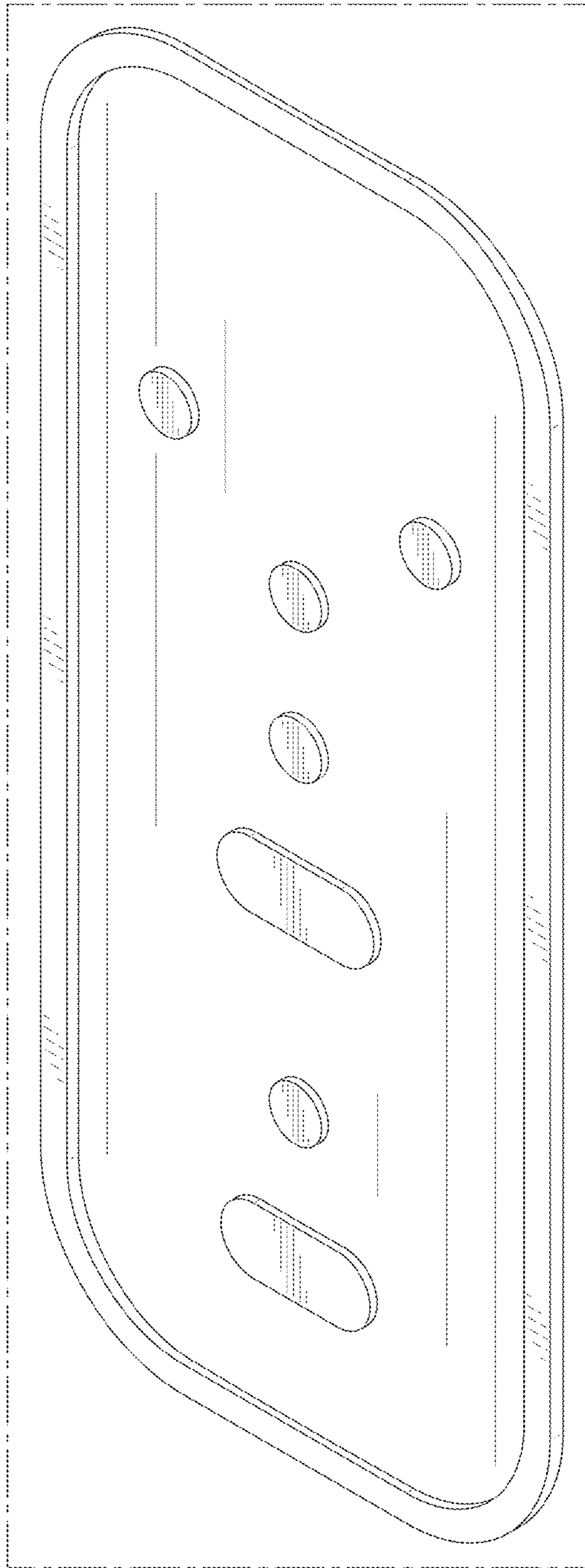


FIG. 9