



US00D973722S

(12) **United States Design Patent**  
**Kjaerulff et al.**

(10) **Patent No.:** **US D973,722 S**

(45) **Date of Patent:** **\*\* Dec. 27, 2022**

(54) **ROTARY POSITIVE DISPLACEMENT PUMP**

(71) Applicant: **Alfa Laval Corporate AB**, Lund (SE)

(72) Inventors: **Lars Kjaerulff**, Hadsund (DK); **Simon Cargill**, Eastbourne (GB)

(73) Assignee: **Alfa Laval Corporate AB**

(\*\*) Term: **15 Years**

(21) Appl. No.: **35/512,217**

(22) Filed: **Jan. 19, 2021**

(80) **Hague Agreement Data**

Int. Filing Date: **Jan. 19, 2021**

Int. Reg. No.: **DM/212511**

Int. Reg. Date: **Jan. 19, 2021**

Int. Reg. Pub. Date: **Jul. 23, 2021**

(51) **LOC (13) Cl.** ..... **15-02**

(52) **U.S. Cl.** ..... **D15/7**

USPC ..... **F01C 21/10** (2013.01)

(58) **Field of Classification Search**

USPC ..... D15/7-9; D23/231, 232, 235;  
418/201.1, 206.1, 206.4, 206.7

CPC .. F01C 21/10; F01C 17/02; F04C 2/16; F04C  
2/00; F04C 15/0061; F04C 2270/16;  
F04C 2230/80; F04C 2240/60; F04C  
2270/17; F04C 2230/601

See application file for complete search history.

(56) **References Cited**

**U.S. PATENT DOCUMENTS**

- 2,550,540 A \* 4/1951 Ebsary ..... F04C 27/02  
418/175
- 2,775,204 A \* 12/1956 Batten ..... F04C 15/008  
D15/7
- 2,836,125 A \* 5/1958 Funk ..... F04C 2/123  
D15/7
- D196,621 S \* 10/1963 Cook ..... D15/7
- D246,976 S \* 1/1978 Bell ..... D15/7

- D280,727 S \* 9/1985 Rumbarger, Jr. .... D99/99
- 6,152,719 A \* 11/2000 Nelik ..... F04C 2/16  
418/201.1
- D613,635 S \* 4/2010 Chu ..... D15/9
- D650,813 S \* 12/2011 Varini ..... D15/7
- D668,684 S \* 10/2012 Noguchi ..... D15/9
- D695,318 S \* 12/2013 Link ..... D15/9
- D719,192 S \* 12/2014 Schlenker ..... D15/7
- D722,083 S \* 2/2015 Soja ..... D15/7
- D725,153 S \* 3/2015 Berry ..... D15/7
- D749,138 S \* 2/2016 Martinez Sanudo ..... D15/7
- D763,322 S \* 8/2016 Haugaard ..... D15/7
- D771,148 S \* 11/2016 Soja ..... D15/7
- D788,178 S \* 5/2017 Theiss ..... D15/7
- D789,422 S \* 6/2017 Theiss ..... D15/7
- D807,924 S \* 1/2018 Wilkie ..... D15/7
- D896,845 S \* 9/2020 Kjaerulff ..... D15/7
- D896,846 S \* 9/2020 Kjaerulff ..... D15/7
- D934,917 S \* 11/2021 Butcher ..... D15/7
- D949,205 S \* 4/2022 Headley ..... D15/7
- 2013/0251581 A1 \* 9/2013 Christov ..... F01C 21/10  
418/191

**FOREIGN PATENT DOCUMENTS**

GB 2429751 A \* 3/2007 ..... F04C 15/0011

\* cited by examiner

*Primary Examiner* — Richard E Chilcot

(74) *Attorney, Agent, or Firm* — Tucker Ellis LLP

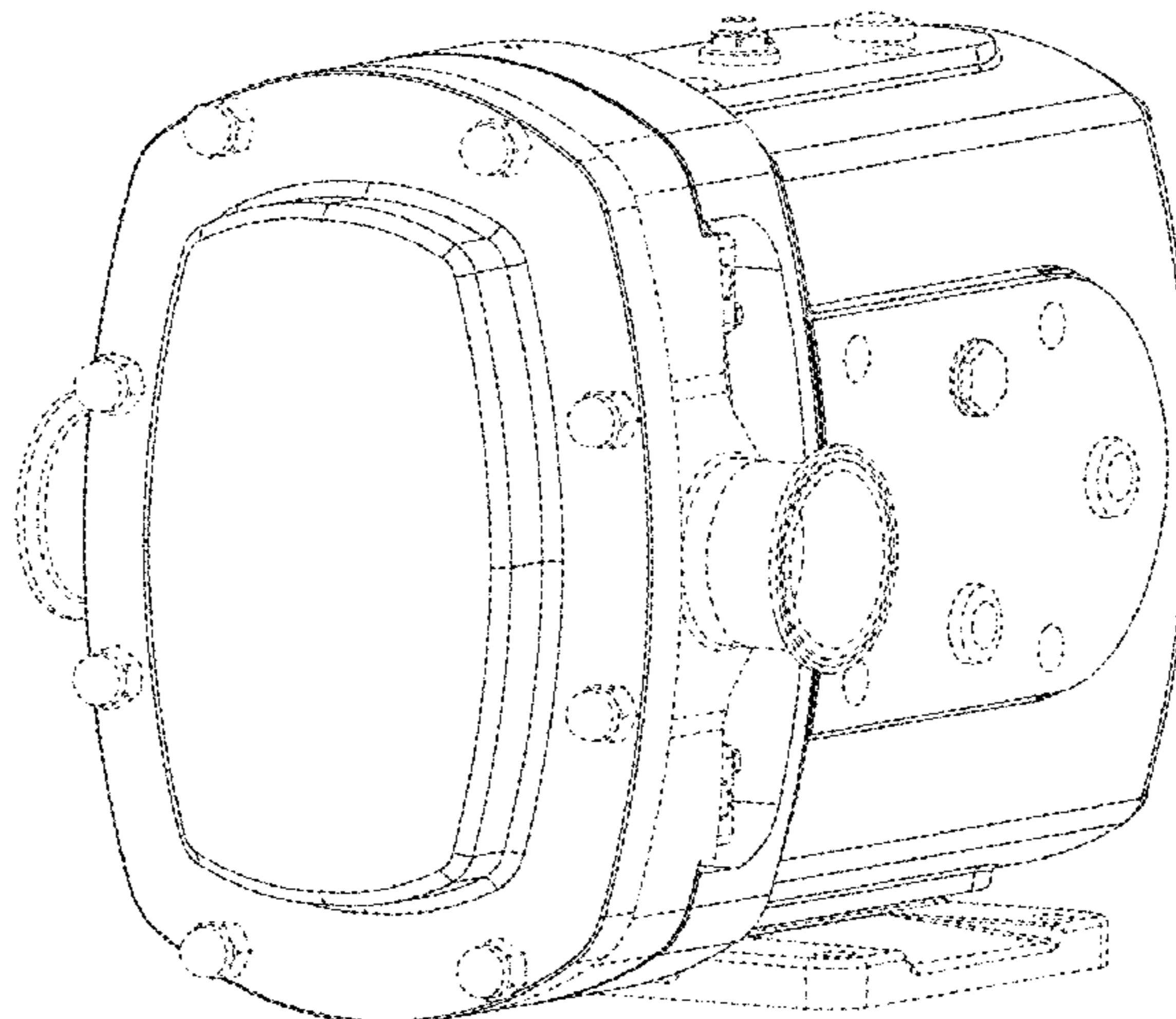
(57) **CLAIM**

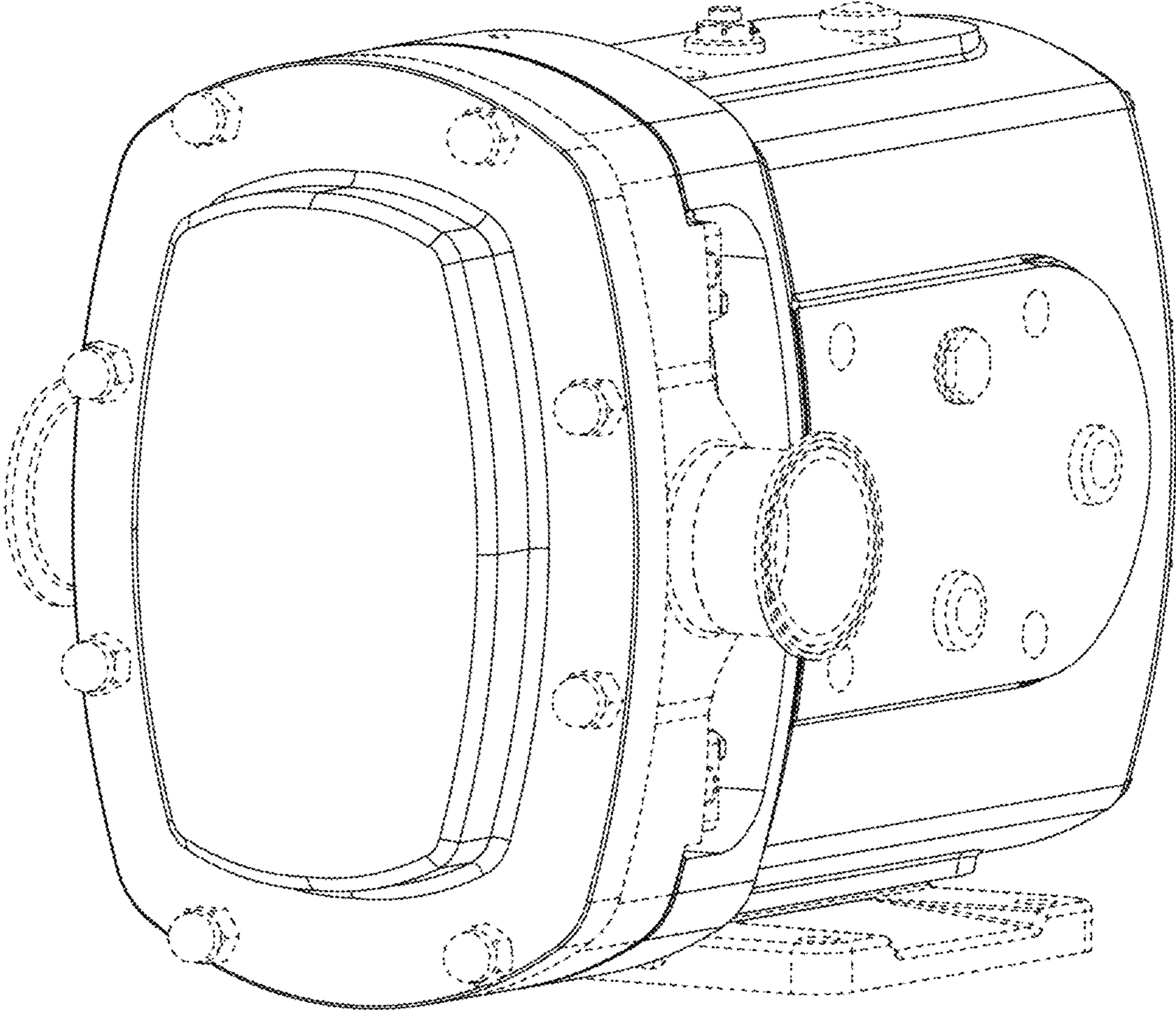
The ornamental design for a rotary positive-displacement pump, as shown and described.

**DESCRIPTION**

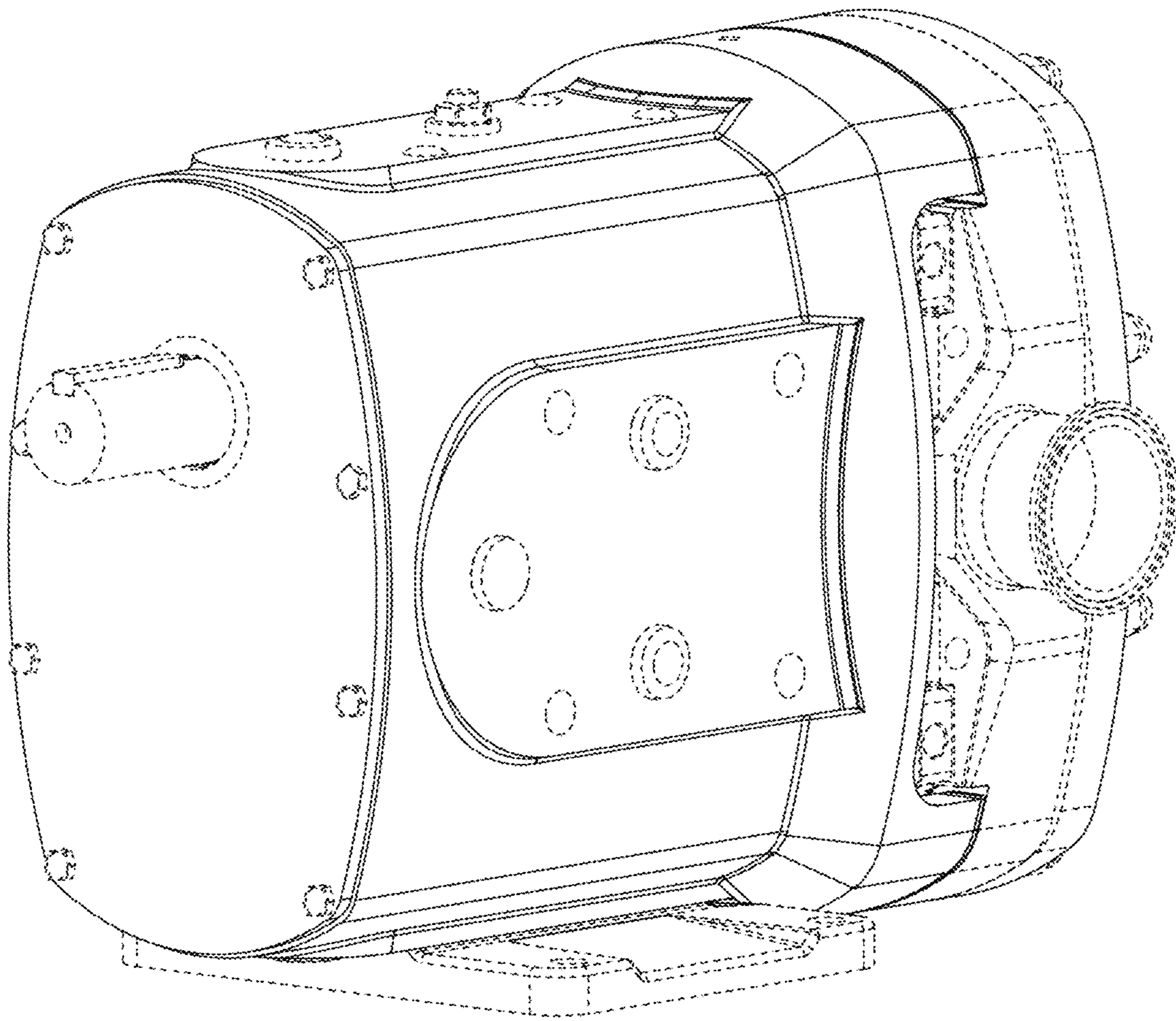
- 1. Rotary positive-displacement pump
- 1.1 : Perspective
- 1.2 : Perspective
- 1.3 : Front
- 1.4 : Back
- 1.5 : Right
- 1.6 : Left
- 1.7: Top

**1 Claim, 7 Drawing Sheets**



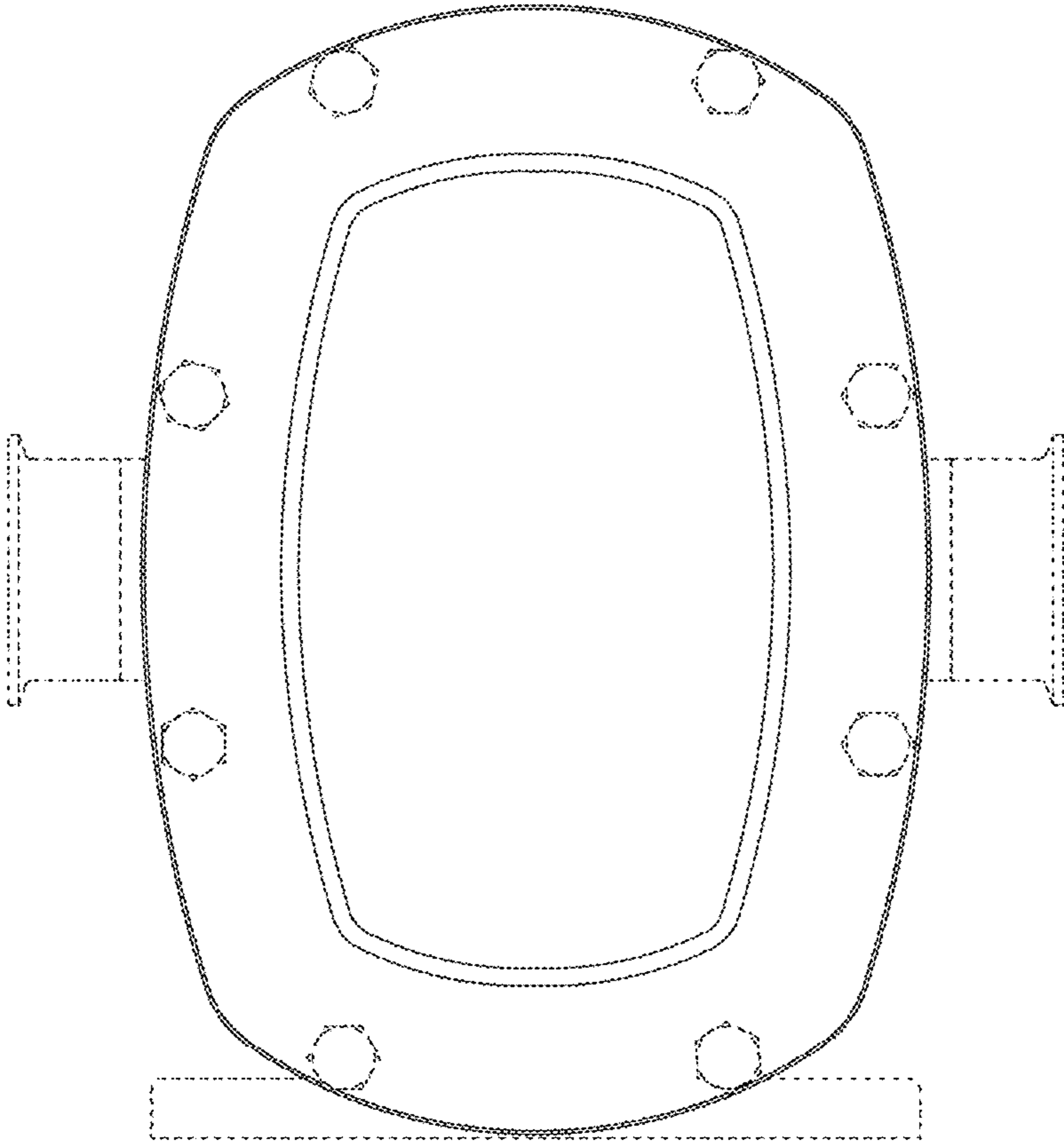


1.1

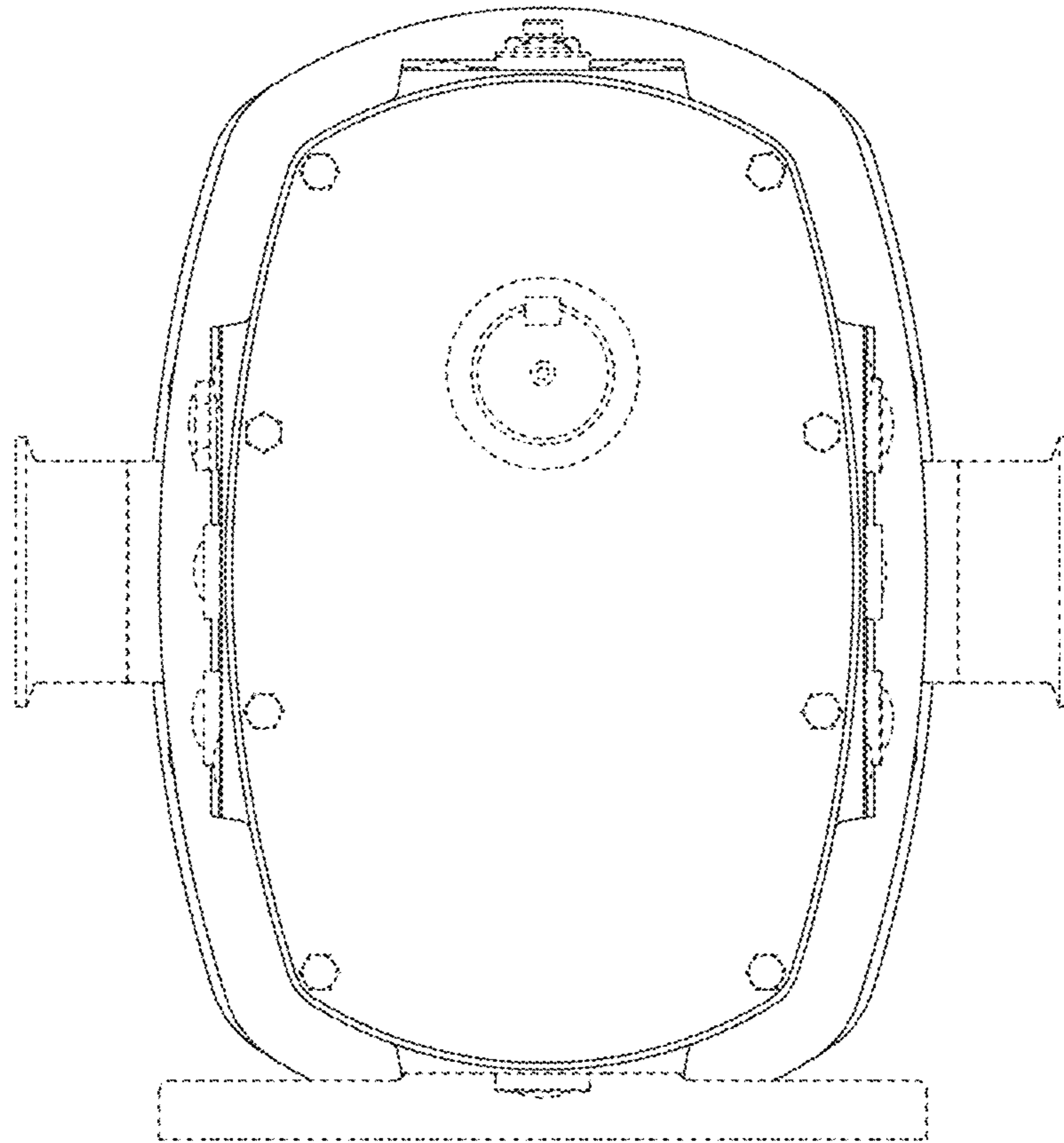


1.2

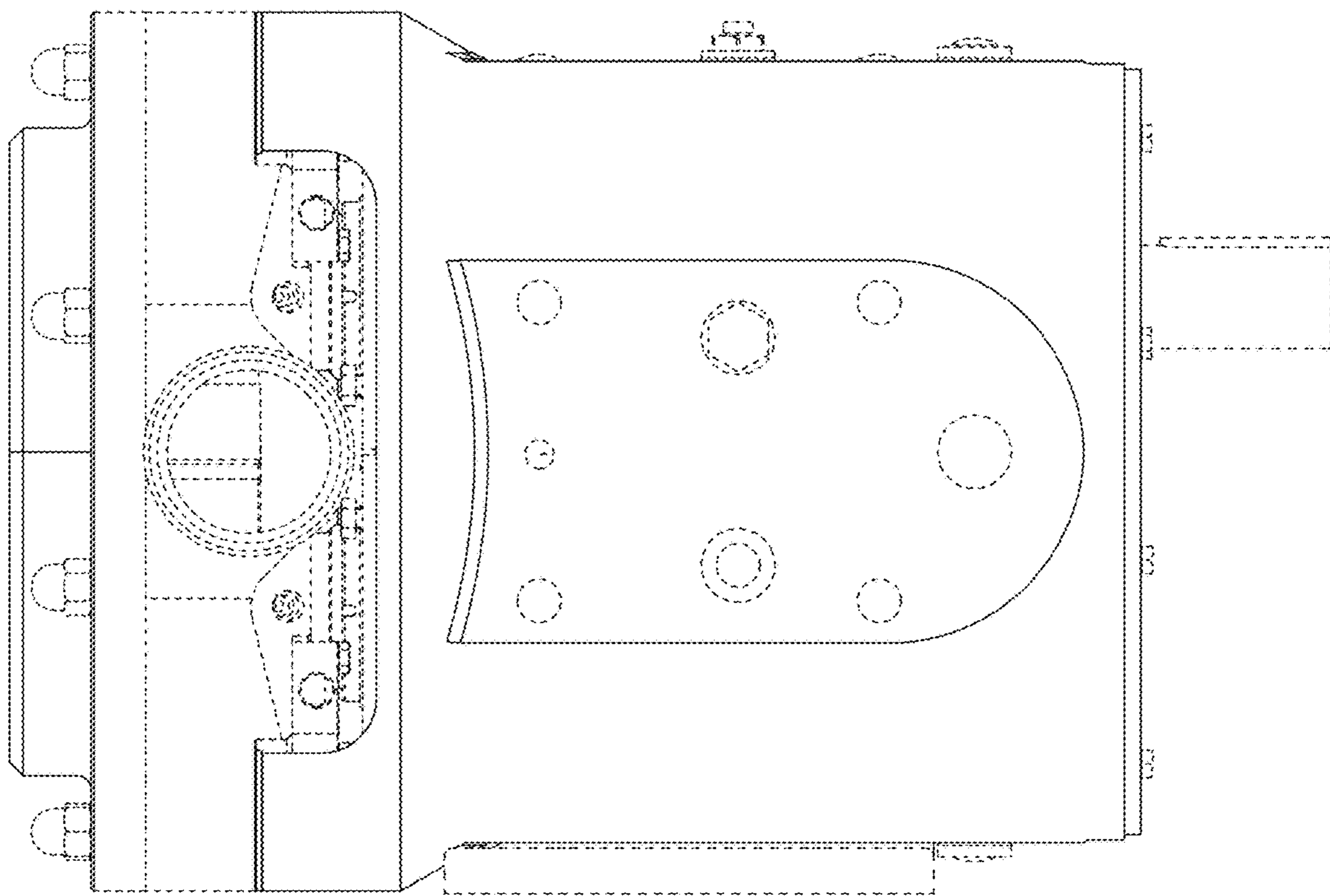




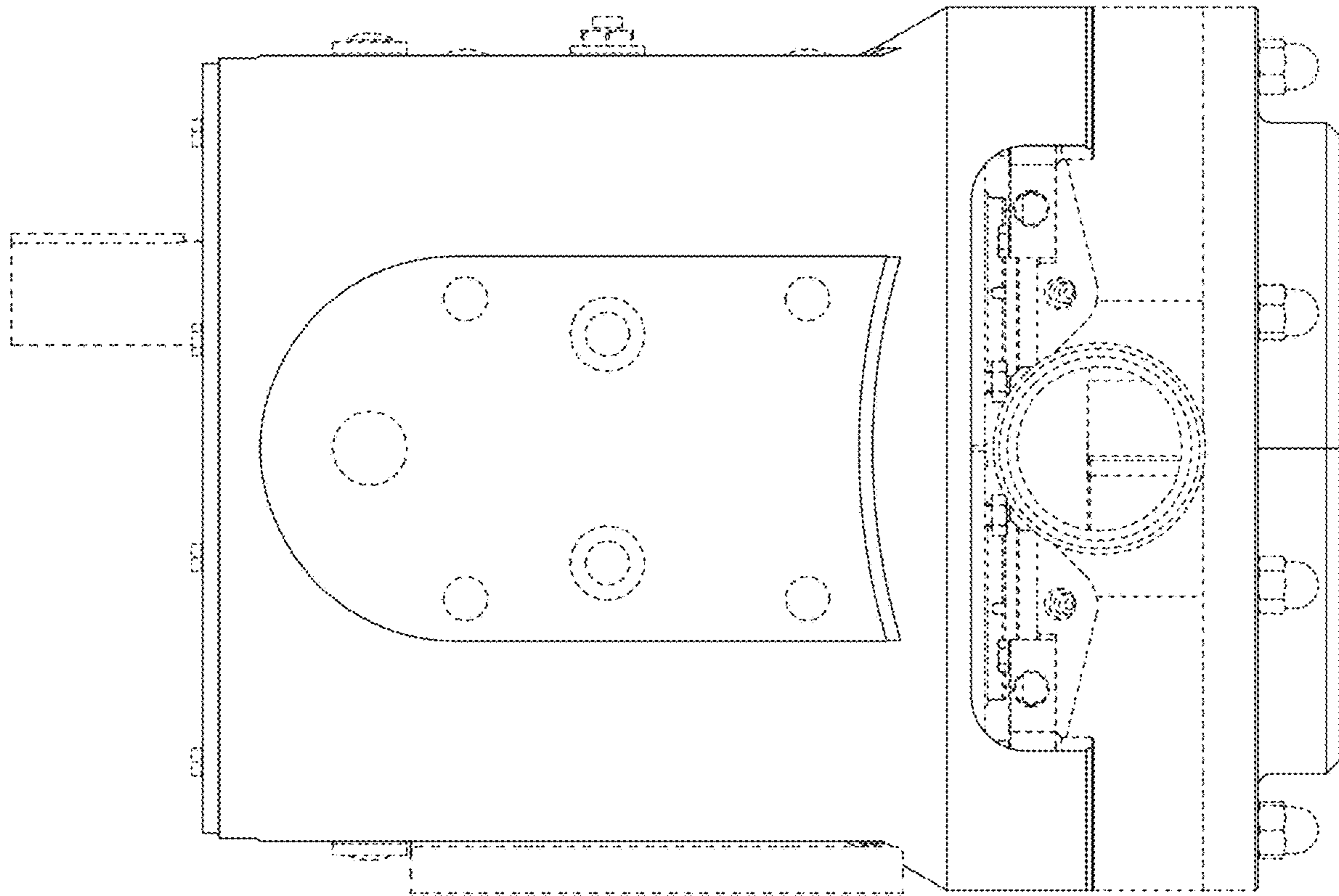
1.3



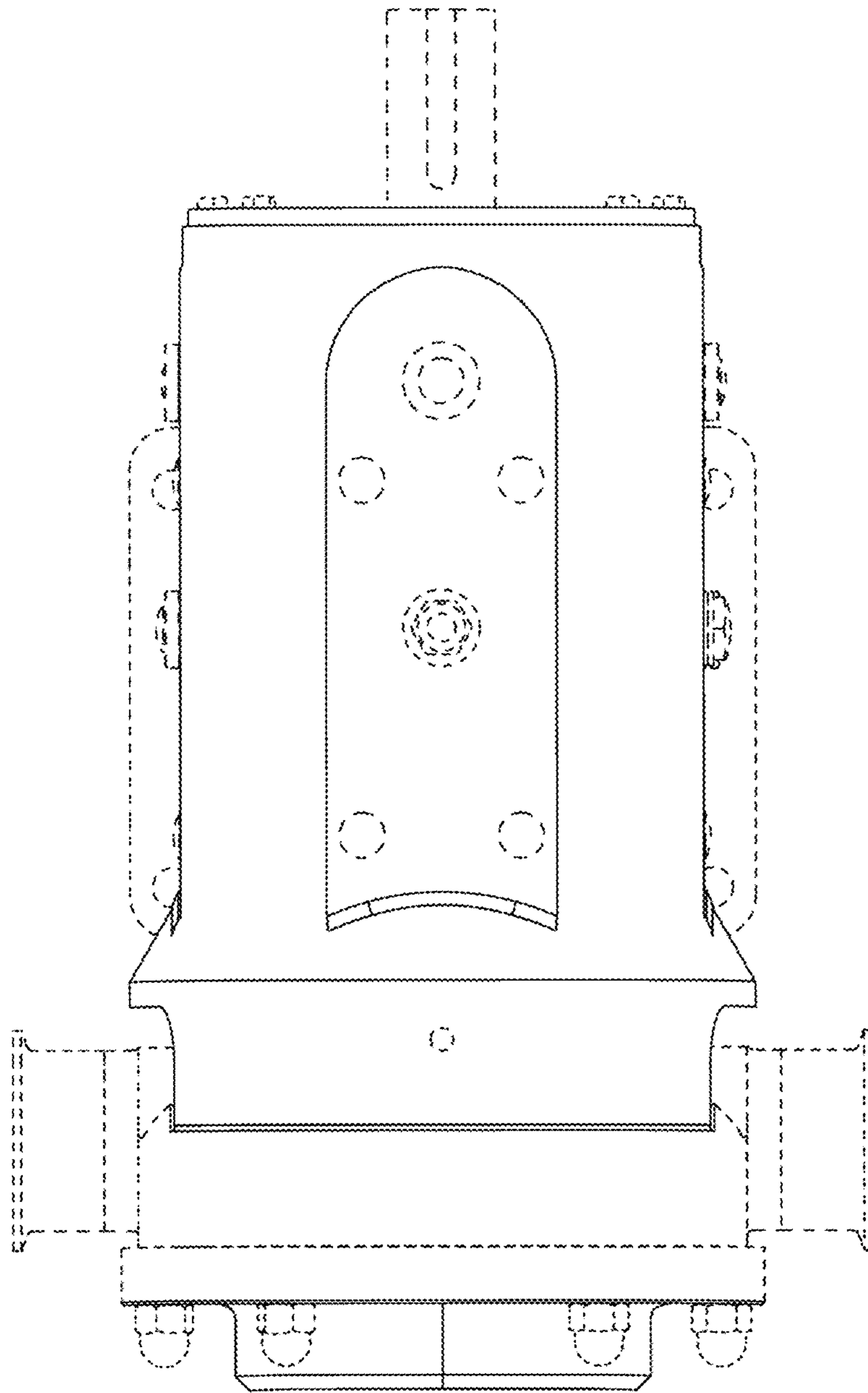
1.4



1.5



1.6



1.7