



US00D973720S

(12) **United States Design Patent** (10) **Patent No.:** **US D973,720 S**
Palkic et al. (45) **Date of Patent:** **** Dec. 27, 2022**

(54) **PUMP ADAPTER**

OTHER PUBLICATIONS

- (71) Applicant: **Holley Performance Products, Inc.**,
Bowling Green, KY (US)
- (72) Inventors: **Darko Palkic**, Bowling Green, KY
(US); **Timothy A. Grillot**, Alvaton, KY
(US)
- (73) Assignee: **Holley Performance Products, Inc.**,
Bowling Green, KY (US)
- (**) Term: **15 Years**
- (21) Appl. No.: **29/805,799**
- (22) Filed: **Aug. 30, 2021**

U.S. Appl. No. 29/710,142, filed Oct. 21, 2019 titled Pump Adapter.
Design U.S. Appl. No. 29/597,917 entitled "Adapter" filed Mar. 21,
2017.

(Continued)

Primary Examiner — Khawaja Anwar

(74) *Attorney, Agent, or Firm* — Middleton Reutlinger

(57) **CLAIM**

The ornamental design for the pump adapter, as shown and
described.

DESCRIPTION

Cross-reference is made to U.S. Non-Provisional patent
application Ser. No. 16/553,619, titled "Pump Adapter",
filed on Aug. 28, 2019, all of which is expressly incorporated
herein by reference.

FIG. 1 is a perspective view of a pump adapter shown with
an unclaimed clamp;

FIG. 2 is a perspective view of the pump adapter shown
without the unclaimed clamp;

FIG. 3 is a lower perspective view of the pump adapter of
FIG. 1;

FIG. 4 is a side elevational view of the pump adapter of FIG.
2;

FIG. 5 is an opposite side elevational view of the pump
adapter of FIG. 2;

FIG. 6 is a front elevational view of the pump adapter of
FIG. 2;

FIG. 7 is a rear elevational view of the pump adapter of FIG.
2;

FIG. 8 is a top plan view of the pump adapter of FIG. 2; and,
FIG. 9 is a bottom plan view of the pump adapter of FIG. 2.

The broken lines shown on the drawings are included for the
purpose of illustrating unclaimed subject matter and form no
part of the claimed design.

Related U.S. Application Data

(60) Continuation of application No. 29/710,142, filed on
Oct. 21, 2019, now Pat. No. Des. 929,464, which is a
division of application No. 29/662,532, filed on Sep.
6, 2018, now Pat. No. Des. 892,865.

(51) **LOC (13) Cl.** **15-03**

(52) **U.S. Cl.**
USPC **D15/7**

(58) **Field of Classification Search**
USPC D15/7-9
See application file for complete search history.

(56) **References Cited**

U.S. PATENT DOCUMENTS

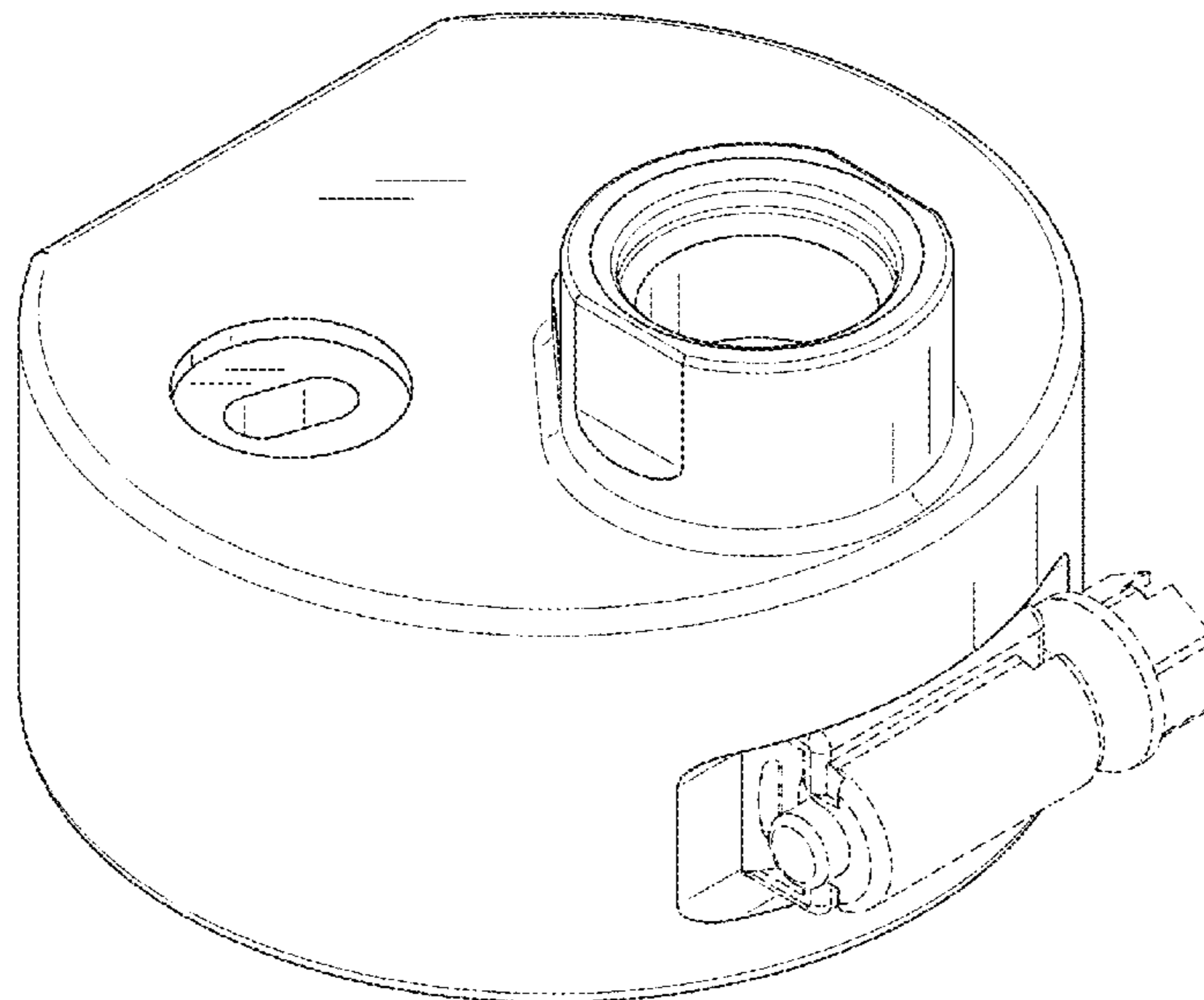
D348,513 S * 7/1994 Bale D24/197
D529,515 S * 10/2006 DeGroot D15/7

(Continued)

FOREIGN PATENT DOCUMENTS

AU 201910220 3/2019
AU 201911579 4/2019
AU 201911581 4/2019

1 Claim, 9 Drawing Sheets



(56)

References Cited

U.S. PATENT DOCUMENTS

7,533,661 B2 * 5/2009 Baasch F02M 25/00
123/585
D716,674 S * 11/2014 Herzl D10/53
D716,675 S * 11/2014 Herzl D10/53
D717,182 S * 11/2014 Herzl D10/53
D720,449 S * 12/2014 Galbraith D24/111
D728,388 S * 5/2015 Robey D10/53
D892,865 S * 8/2020 Palkic D15/7
D928,842 S * 8/2021 Palkic D15/7
D929,464 S * 8/2021 Palkic D15/7

OTHER PUBLICATIONS

U.S. Appl. No. 62/727,716 entitled "Pump Adapter" filed Sep. 6, 2018.

Design U.S. Appl. No. 29/658,294 entitled "Adapter" filed Jul. 30, 2018.

Utility U.S. Appl. No. 16/553,619 entitled "Pump Adapter" filed Aug. 28, 2019.

U.S. Appl. No. 62/872,520 entitled "Air Filter Adapter" filed Jul. 10, 2019.

Radium Engineering, 20-0145 Fuel Pump Inlet Adapter Installation Instructions, Sep. 21, 2018 [publication date retrieved from Internet Wayback Machine on Oct. 8, 2019].

www.efihardware.com, Walbro In Tank Fuel Pump Extension Kit, Mar. 31, 2015 [publication date retrieve from Internet Wayback Machine on Oct. 8, 2019].

Design U.S. Appl. No. 29/662,532 entitled "Pump Adapter" filed Sep. 6, 2018.

* cited by examiner

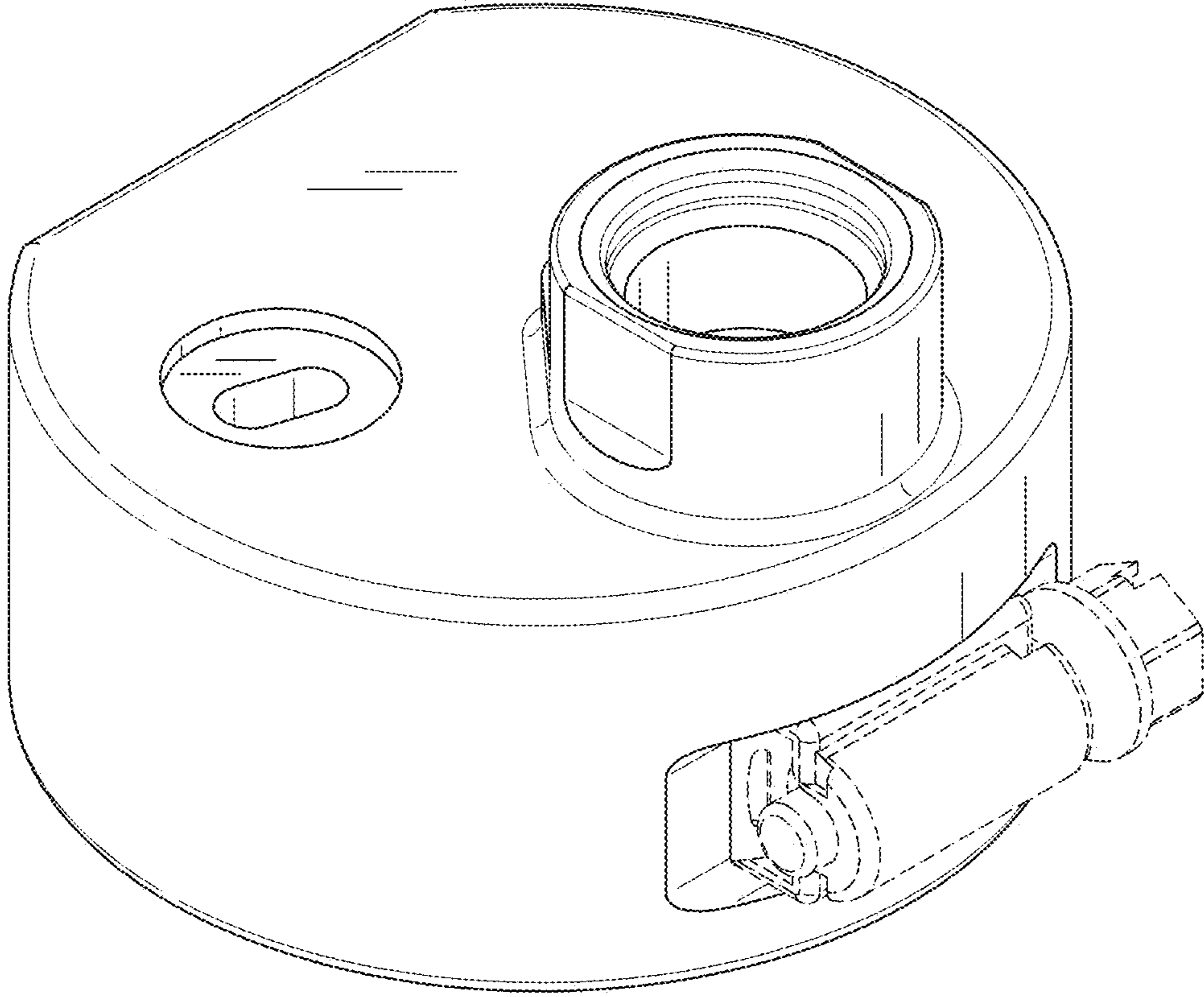


FIG. 1

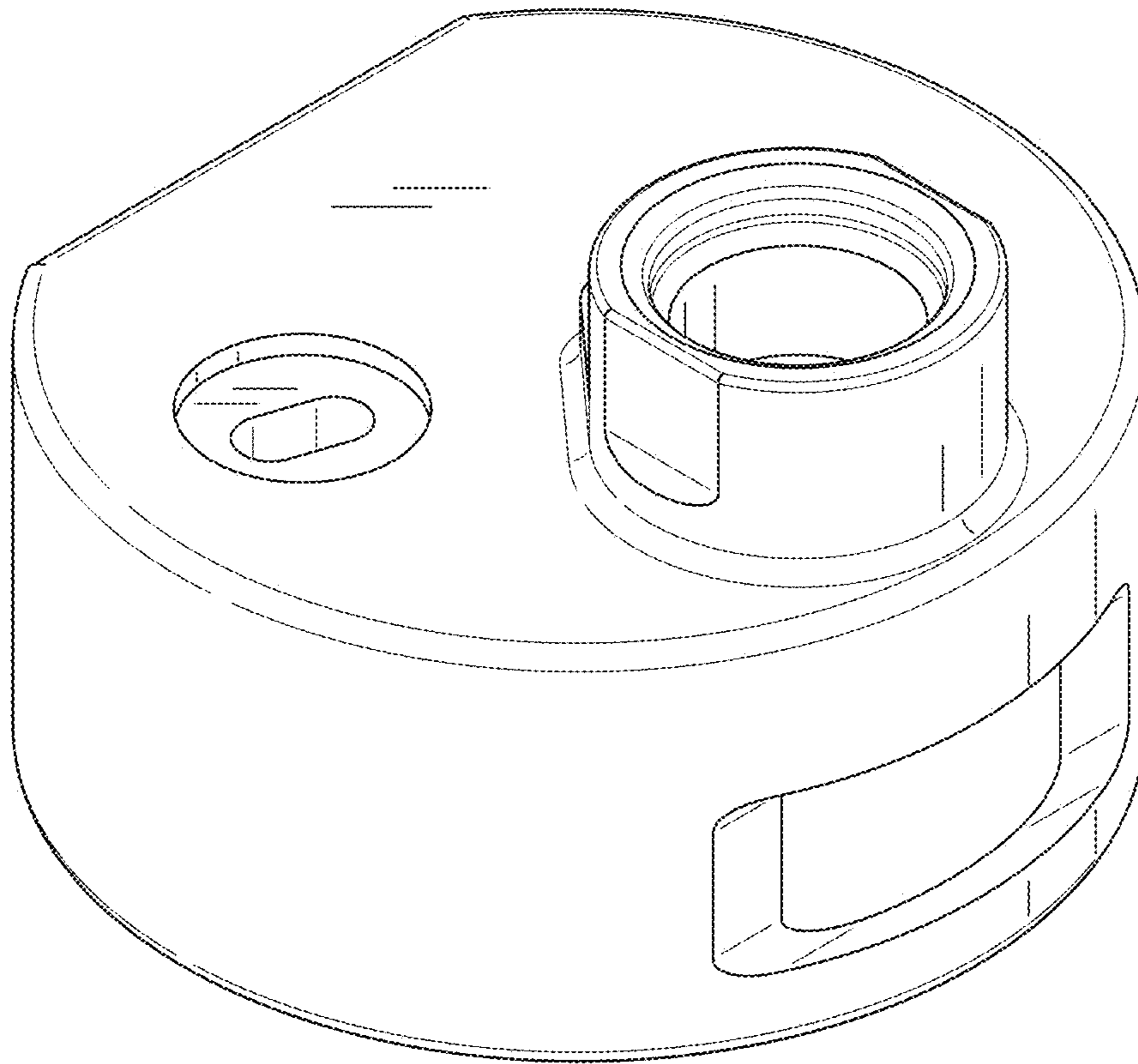


FIG. 2

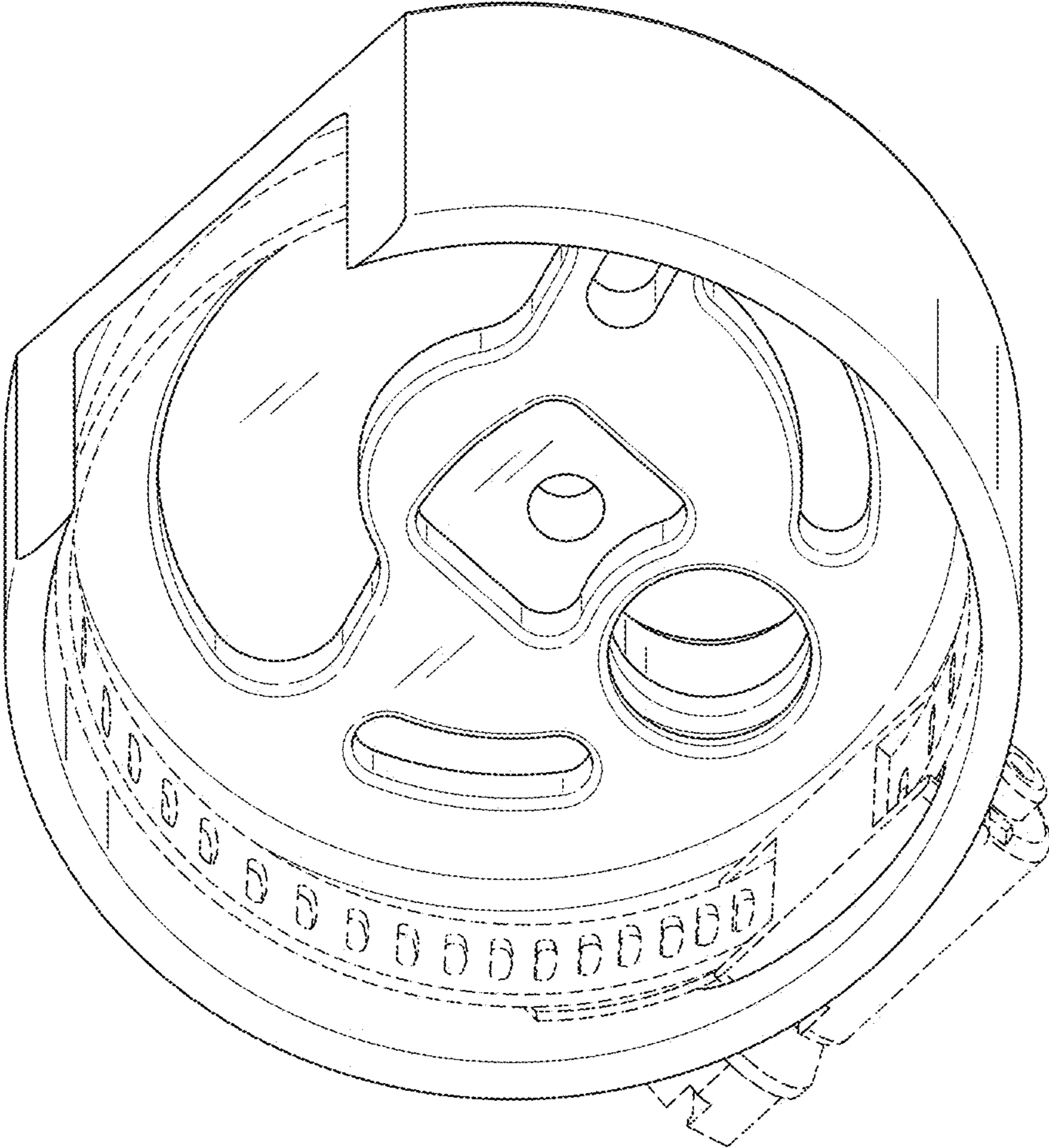


FIG. 3

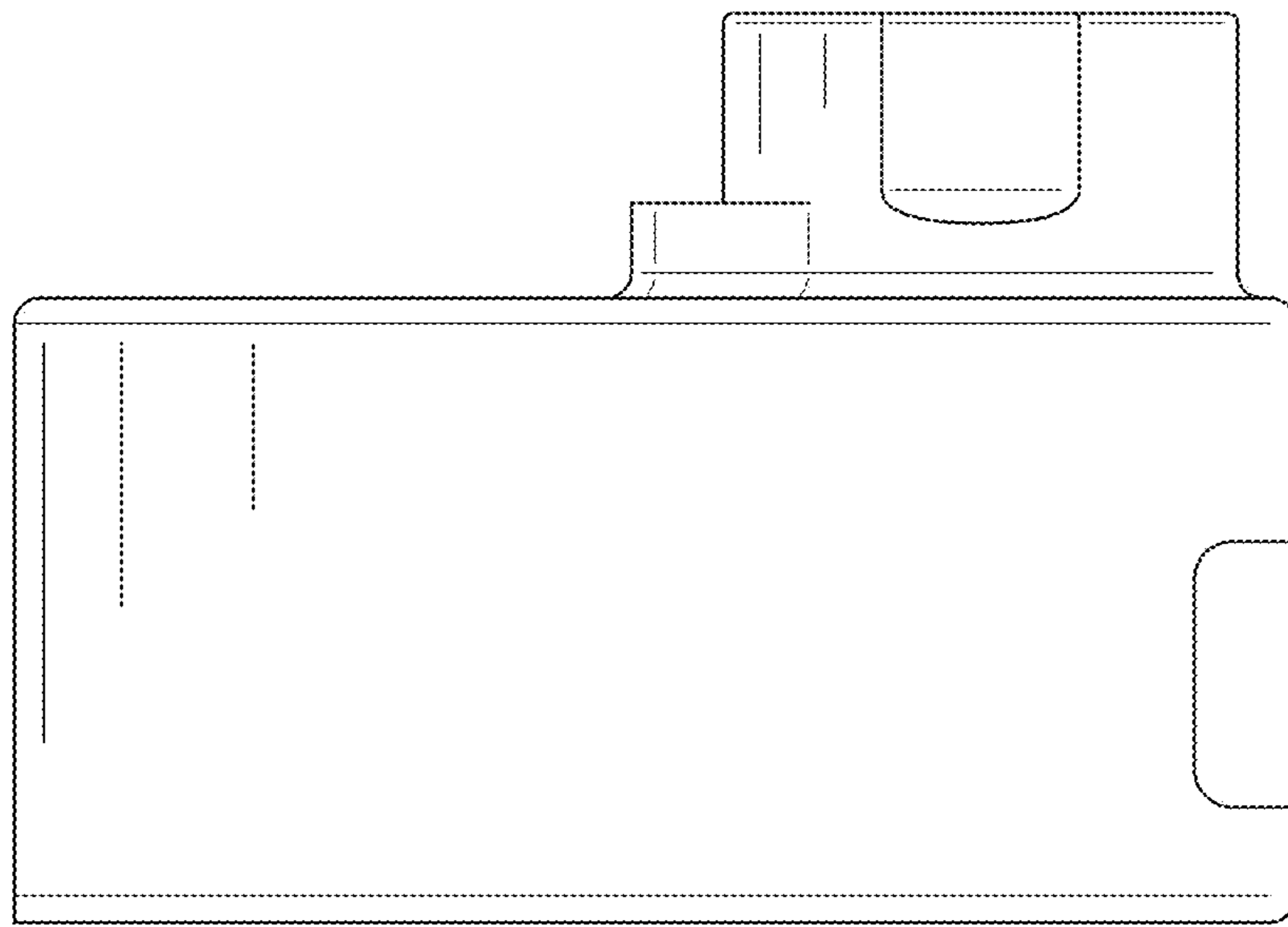


FIG. 4

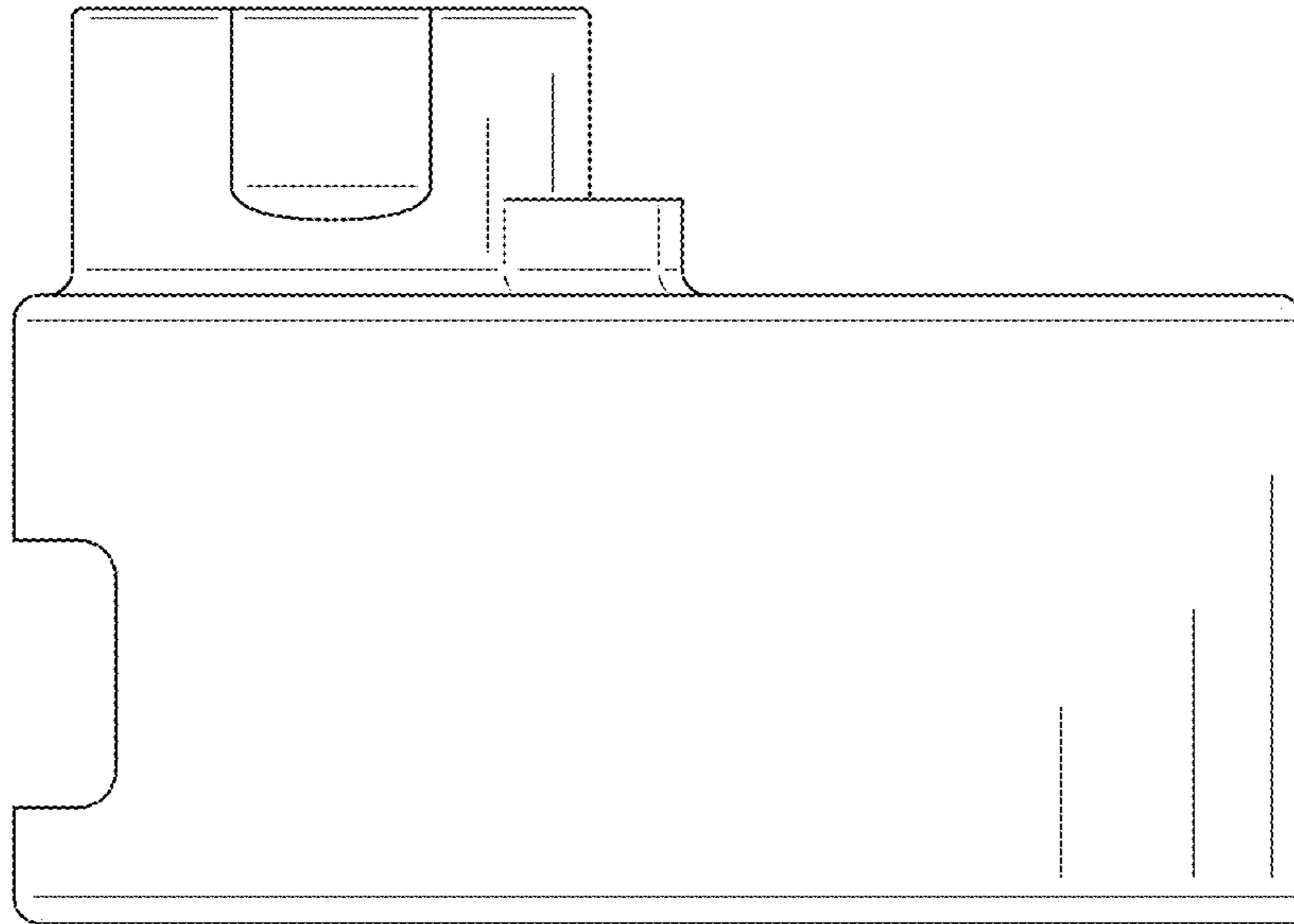


FIG. 5

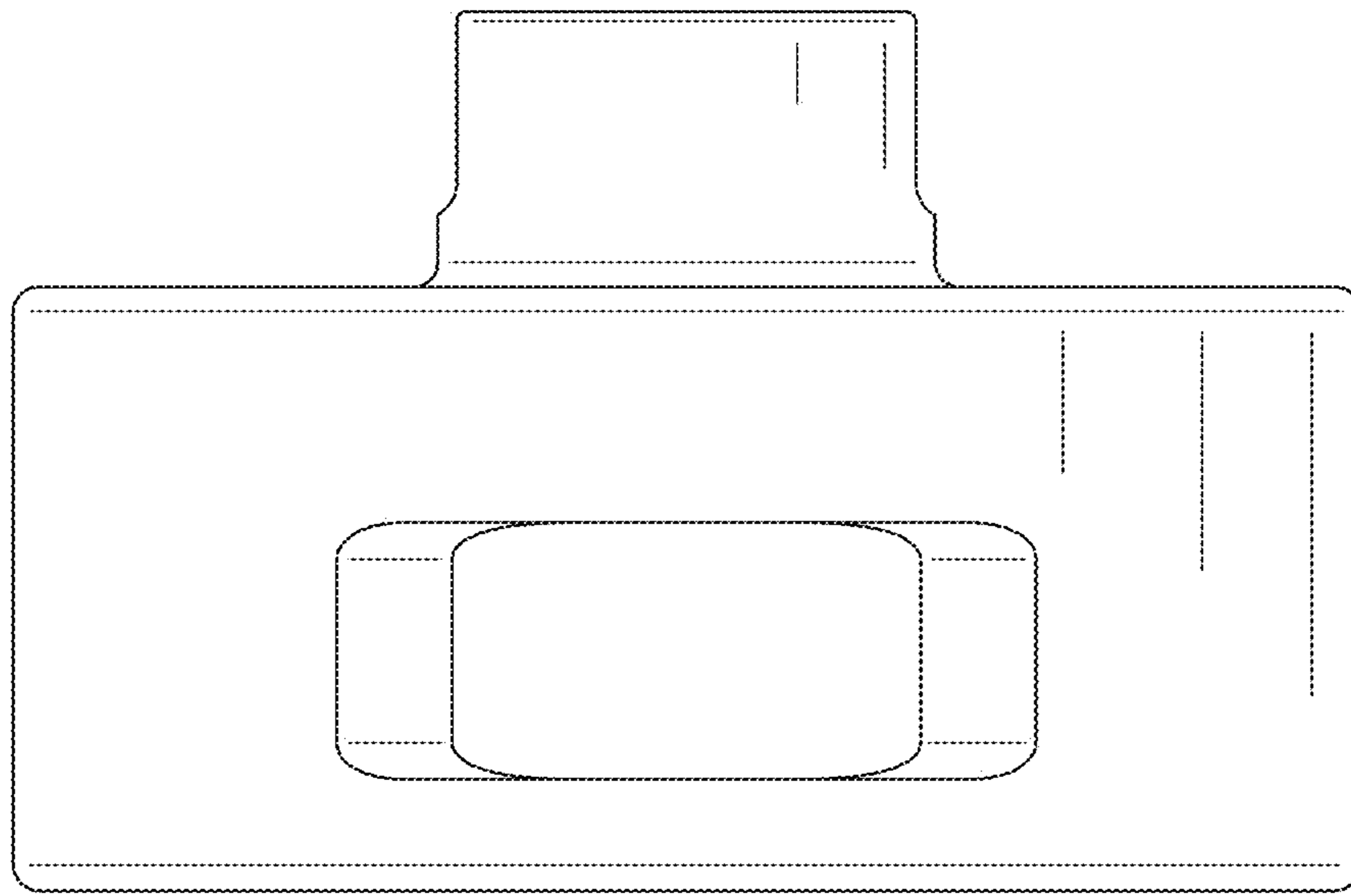


FIG. 6

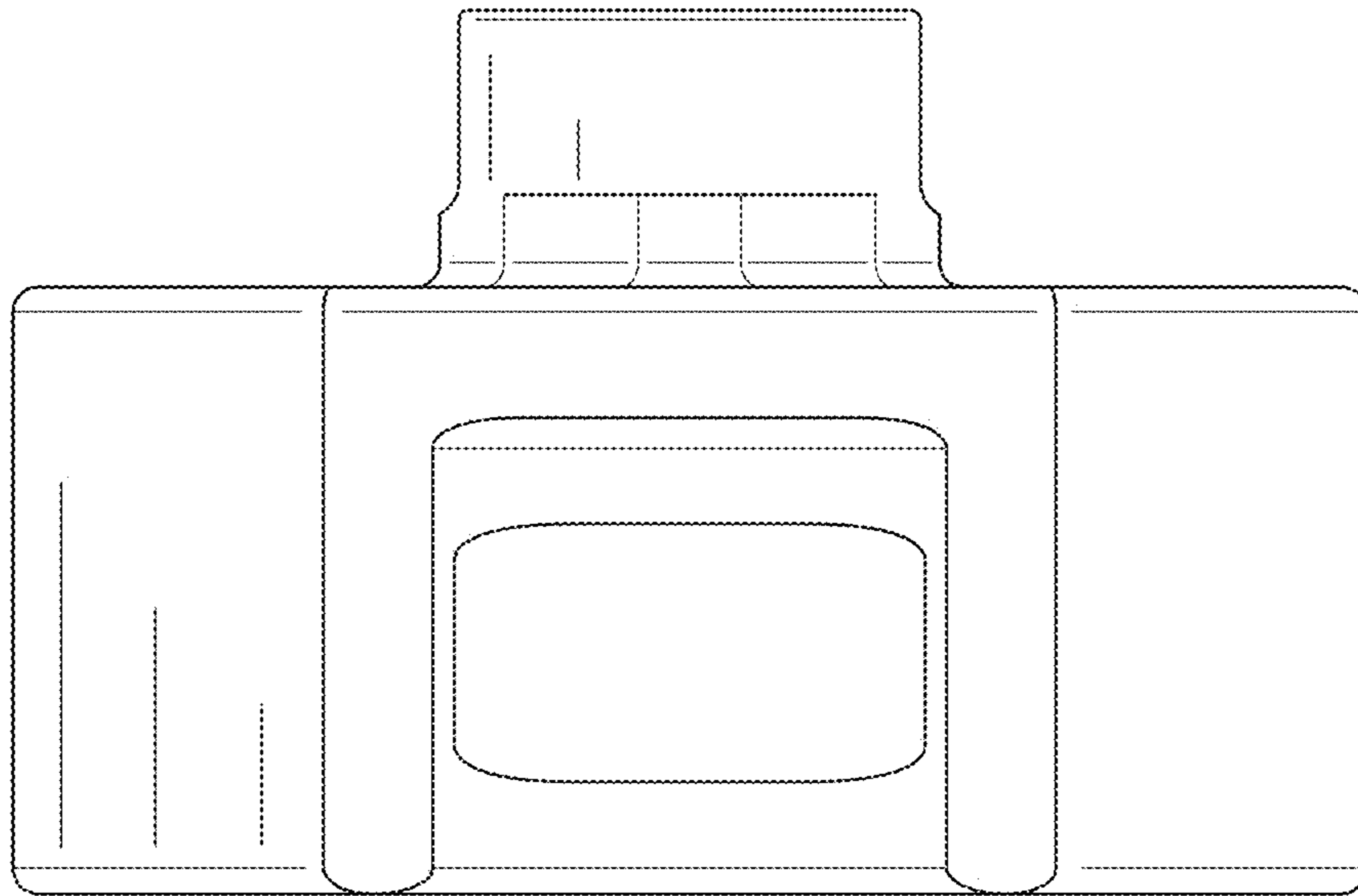


FIG. 7

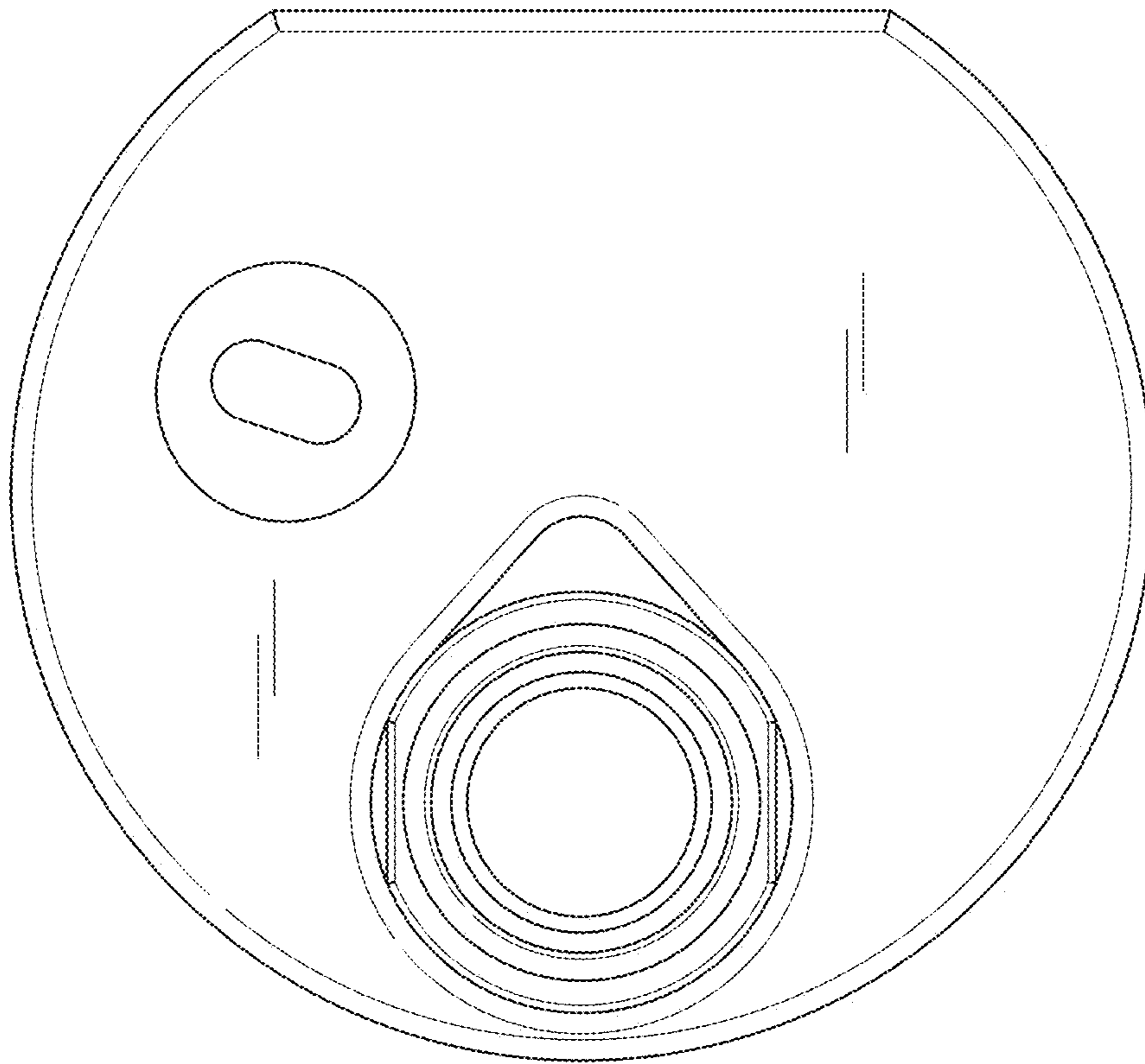


FIG. 8

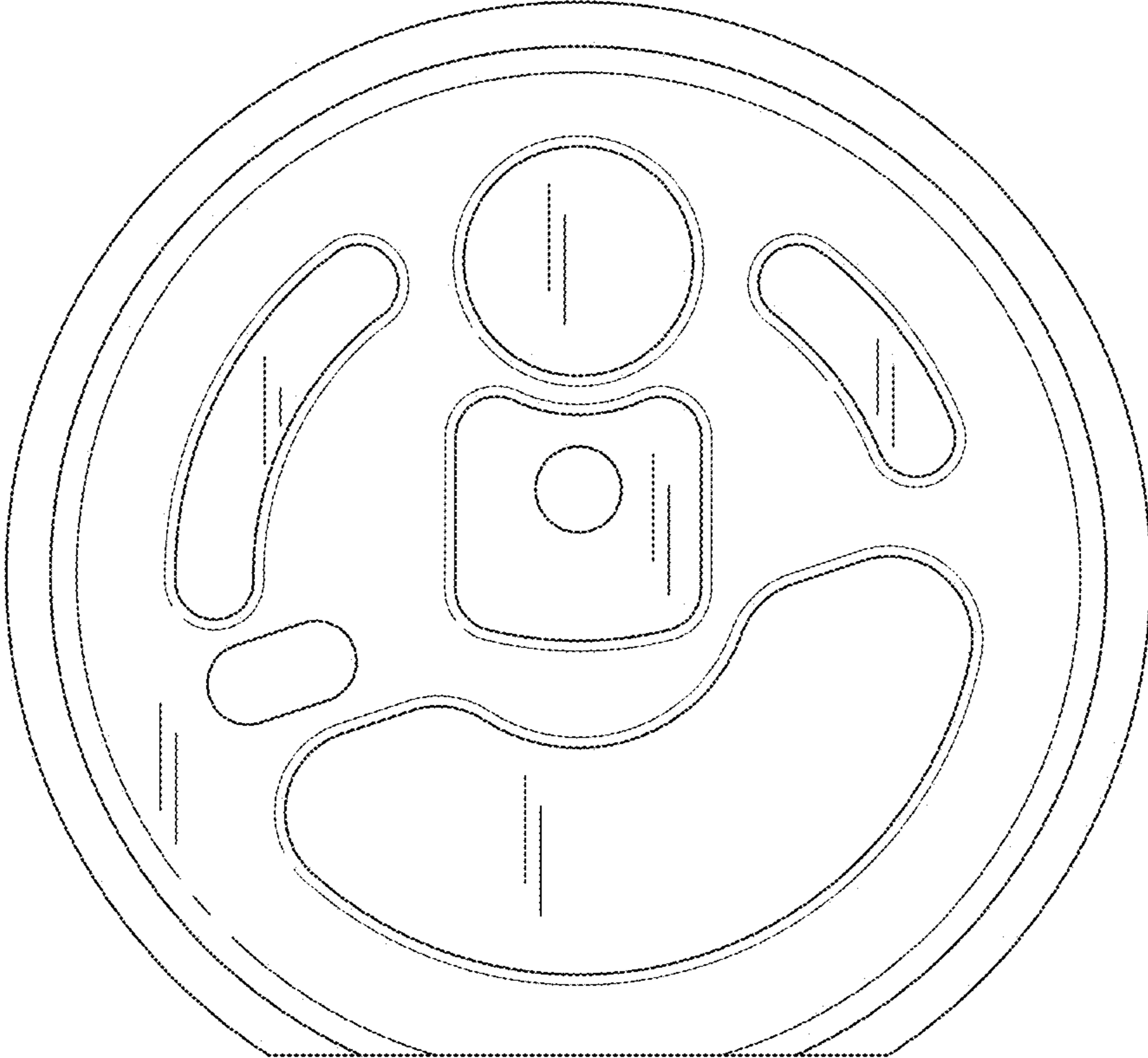


FIG. 9