



US00D973719S

(12) **United States Design Patent** (10) **Patent No.:** **US D973,719 S**
Fang (45) **Date of Patent:** **** Dec. 27, 2022**

(54) **CD PLAYER**

- (71) Applicant: **Yang Fang**, Yueyang (CN)
- (72) Inventor: **Yang Fang**, Yueyang (CN)
- (**) Term: **15 Years**
- (21) Appl. No.: **29/745,835**
- (22) Filed: **Aug. 10, 2020**
- (51) **LOC (13) Cl.** **14-03**
- (52) **U.S. Cl.**
USPC **D14/501**
- (58) **Field of Classification Search**
USPC D14/314, 341, 356, 362, 363, 365, 366,
D14/368, 369, 432, 498–507, 509, 510,
D14/129, 131, 159, 168, 169, 171, 172,
D14/175, 188, 194, 199, 202, 203, 203.1,
D14/203.3, 203.4, 203.6, 203.7, 204,
D14/209.1–216, 217, 221
CPC G06F 1/1605; G06F 1/1626; G06F 1/1633;
G06F 1/1658; G06F 1/1684; G06F
1/1688; G11B 17/0405; G11B 33/00;
G11B 33/02; G11B 33/025; H04R 1/02
See application file for complete search history.

(56) **References Cited**

U.S. PATENT DOCUMENTS

- D692,849 S * 11/2013 Choi D14/188
- D718,271 S * 11/2014 McTague D14/203.1
- D844,006 S * 3/2019 Molnár D14/434
- D851,618 S * 6/2019 Zhong D14/159
- D869,426 S * 12/2019 Sandlund D14/203.1
- D910,591 S * 2/2021 Vossel D14/203.1

FOREIGN PATENT DOCUMENTS

- WO WO-9709856 A2 * 3/1997 B42D 15/022

OTHER PUBLICATIONS

- Gueray Portable CD Player. Gueray, amazon.com (online) 10 pages. Posted Sep. 18, 2020. [Retrieved Jun. 27, 2022] <https://www.amazon.co.uk/Gueray-Rechargeable-Headphones-Anti-Skip-Protection/dp/B08J85RCM9> (Year: 2020).*
- WJZYHYM Wooden CD Player. WJZYHYM, amazon.com (online) 6 pages. Posted N/A. [Retrieved Jun. 27, 2022] <https://www.amazon.com/WJZYHYM-Player%EF%BC%8CRechargeable-Headphones-Anti-Skip-Protection/dp/B09P5Z25KJ> (Year: NA) (Year: NA).*
- Portable CD Player. Monodeal, amazon.com (online) 13 pages. Posted Sep. 3, 2021. [Retrieved Jun. 27, 2022] <https://a.co/d/3YrQlqt> (Year: 2021).*
- Pan Deng, CN Design No. 306950066, published at Orbit, publication date Nov. 19, 2021. Site visited Jun. 27, 2022. Available from internet. (Year: 2021).*

* cited by examiner

Primary Examiner — Kathleen L Jones
Assistant Examiner — Cole Sanders Holman
(74) *Attorney, Agent, or Firm* — ScienBiziP, P.C.

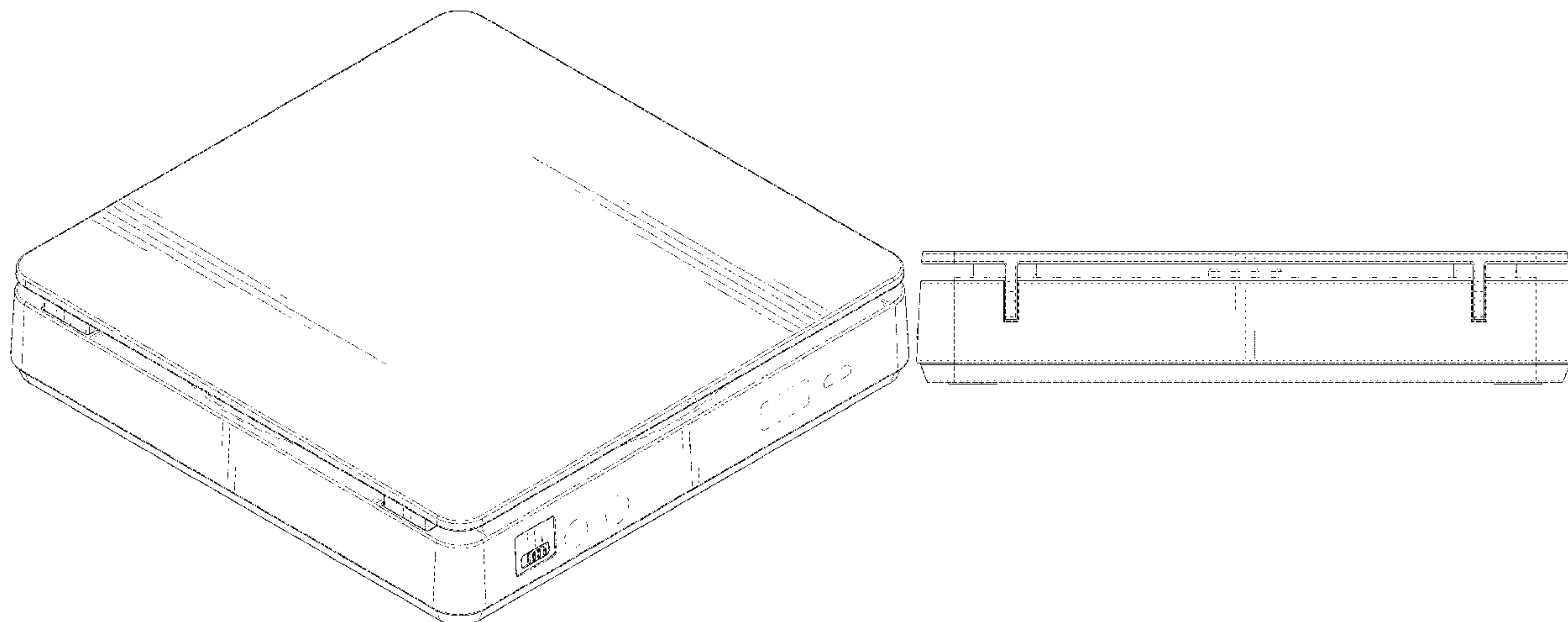
(57) **CLAIM**

The ornamental design for a CD player, as shown and described.

DESCRIPTION

FIG. 1 is a front perspective view of a CD player, showing my design.
FIG. 2 is a front elevation view thereof.
FIG. 3 is a rear elevation view thereof.
FIG. 4 is a left side elevation view thereof.
FIG. 5 is a right side elevation view thereof.
FIG. 6 is a top plan view thereof; and,
FIG. 7 is a bottom plan view thereof.
The dashed broken lines in the figures depict portions of the CD player that form no part of the claimed design.

1 Claim, 7 Drawing Sheets



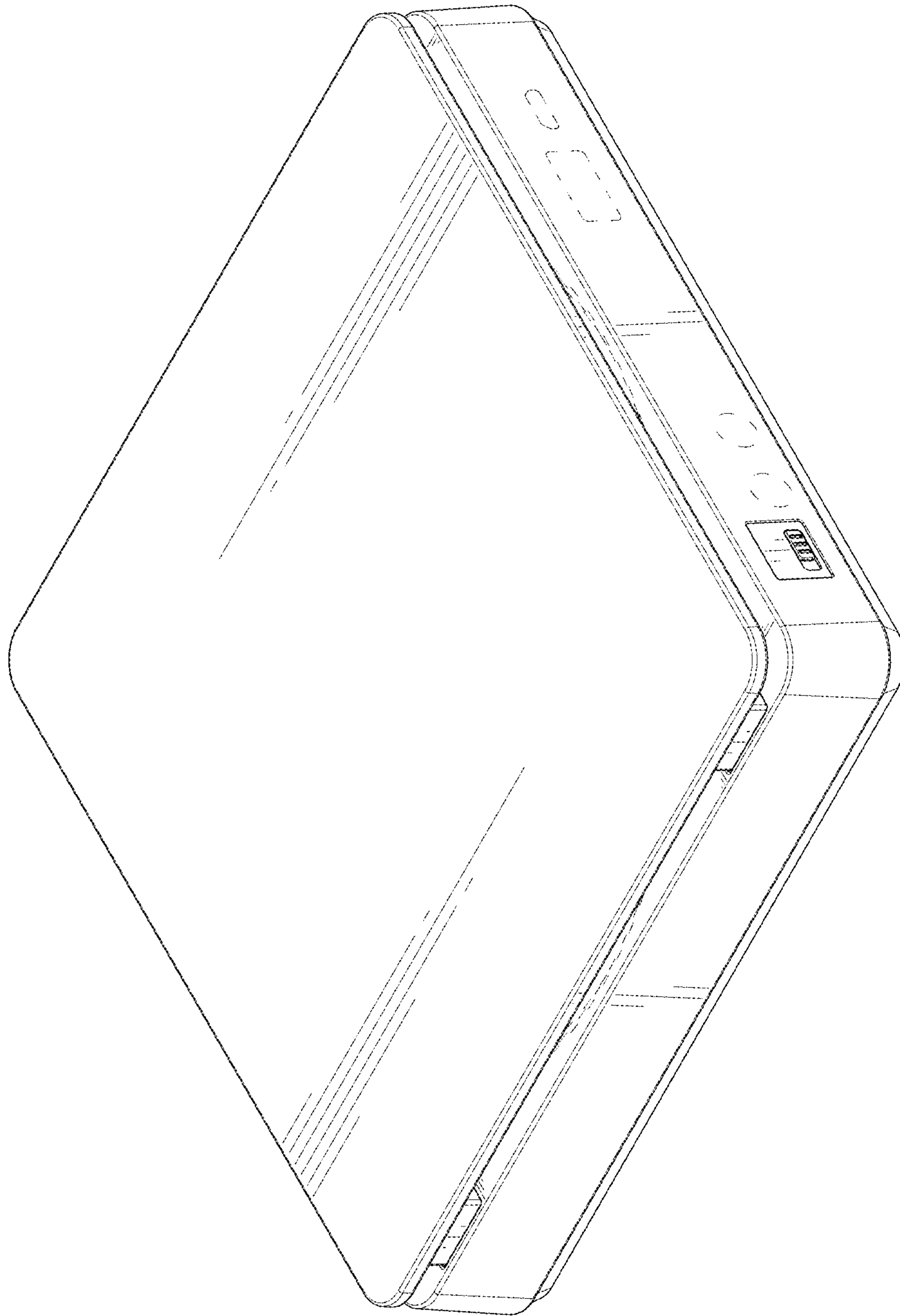


FIG.1

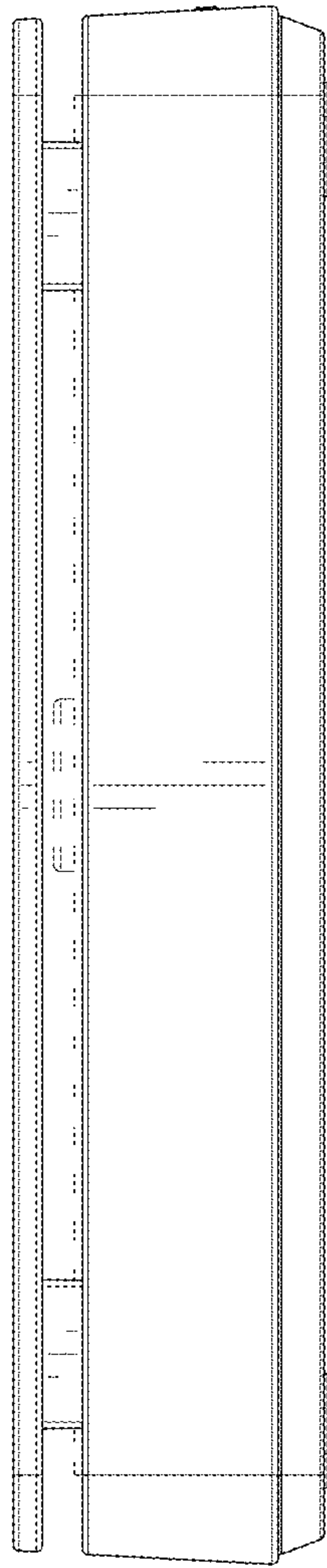


FIG. 2

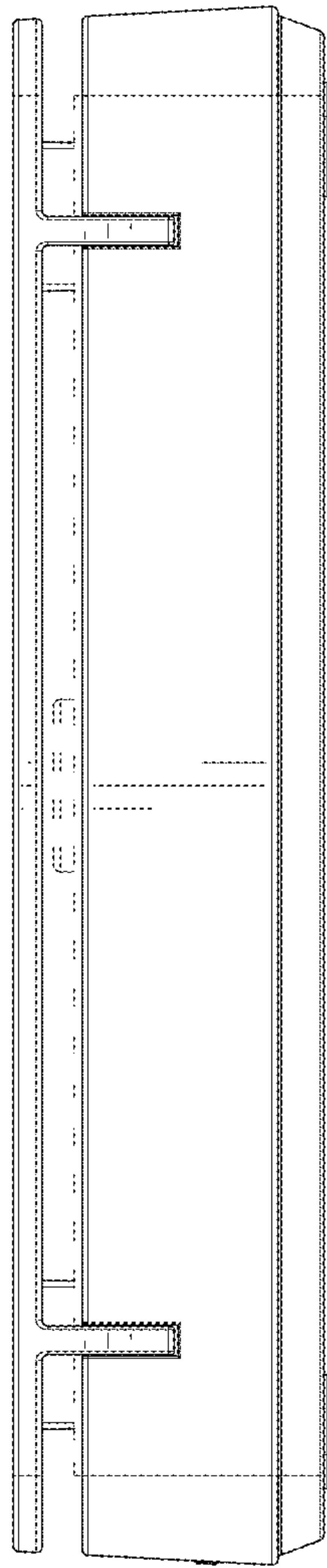


FIG.3

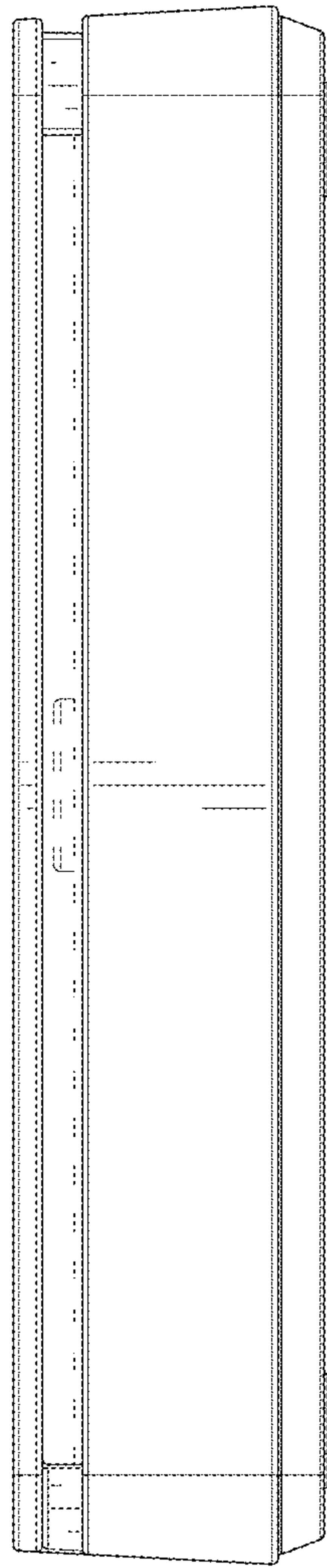


FIG.4

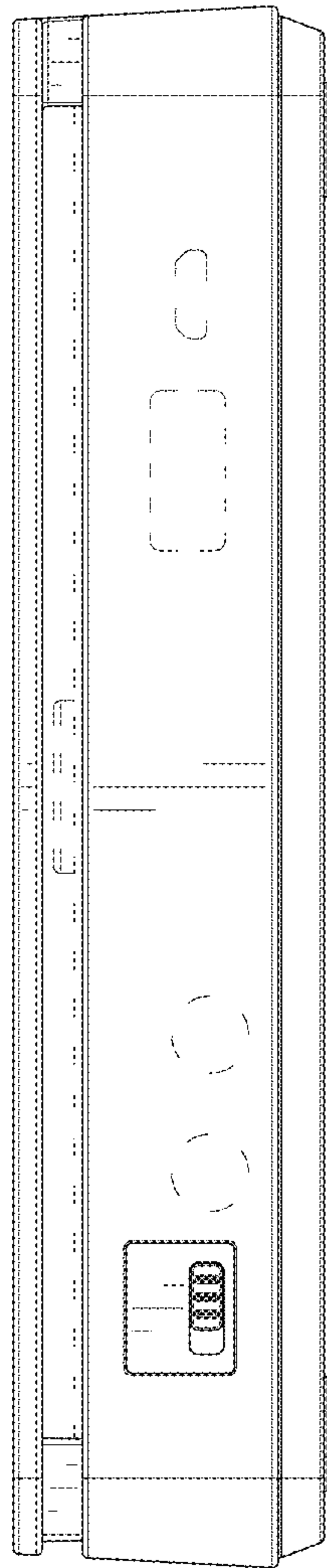


FIG.5

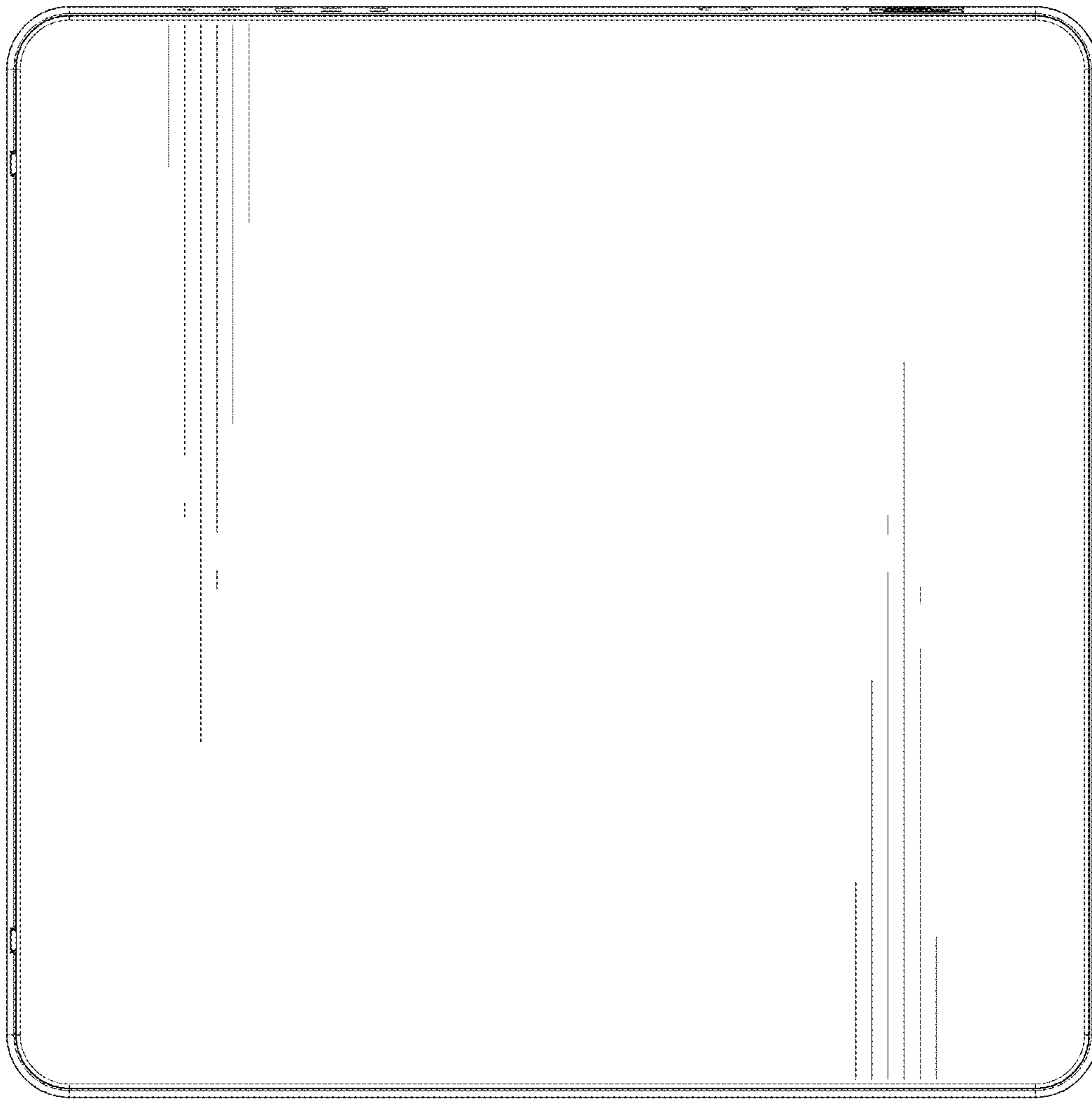


FIG.6

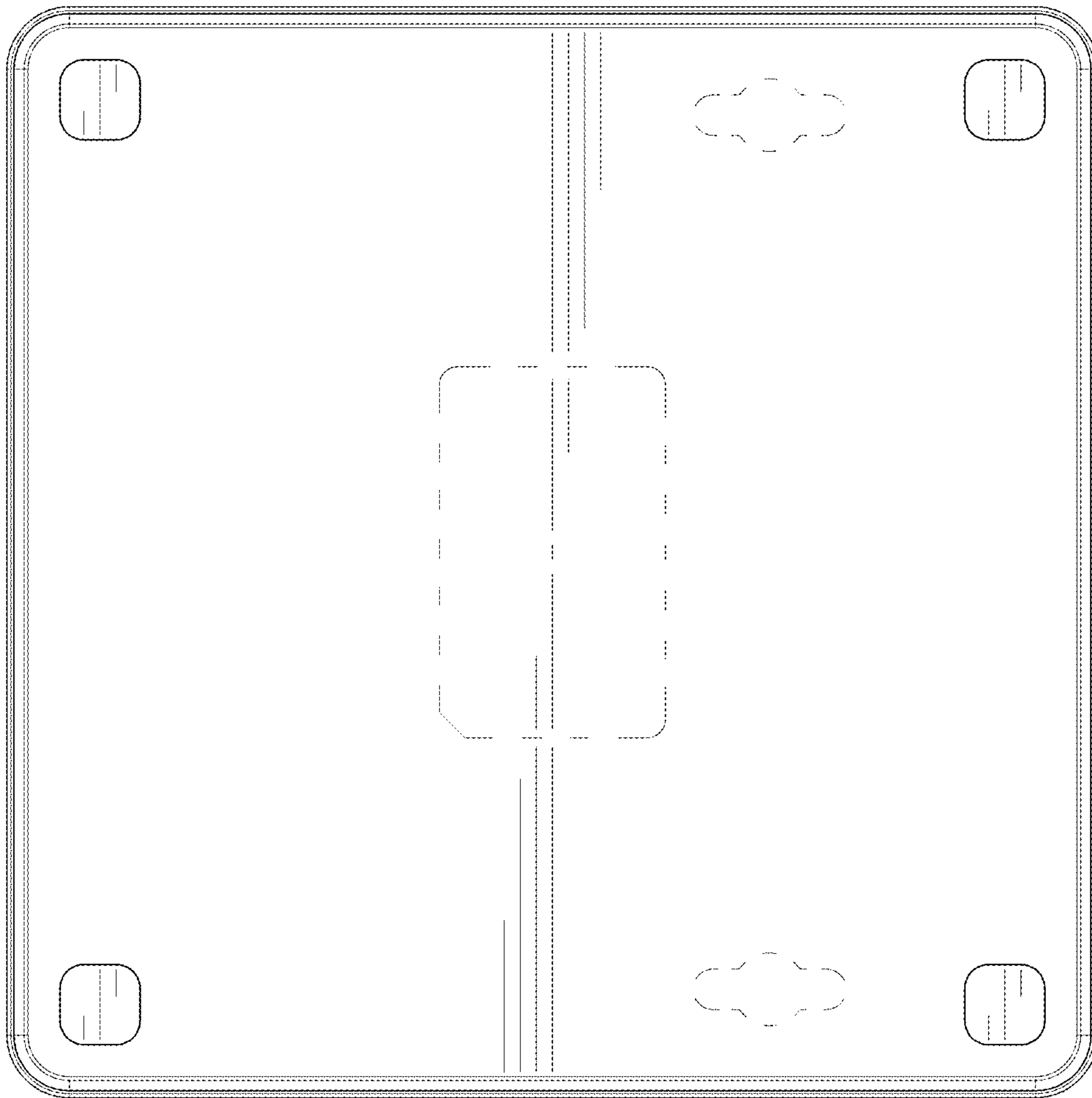


FIG. 7