



US00D973703S

(12) **United States Design Patent**
Hong et al.

(10) **Patent No.:** **US D973,703 S**
(45) **Date of Patent:** **** Dec. 27, 2022**

(54) **DISPLAY OR PORTION THEREOF WITH GRAPHICAL USER INTERFACE**

(71) Applicant: **Apple Inc.**, Cupertino, CA (US)

(72) Inventors: **Zheng Xuan Hong**, San Jose, CA (US);
Chia Yang Lin, San Francisco, CA (US)

(73) Assignee: **Apple Inc.**, Cupertino, CA (US)

(**) Term: **15 Years**

(21) Appl. No.: **29/787,297**

(22) Filed: **Jun. 5, 2021**

(51) **LOC (13) Cl.** **14-04**

(52) **U.S. Cl.**
USPC **D14/486**; D14/492

(58) **Field of Classification Search**
USPC D14/485–495
CPC B60K 37/00; G06F 8/20; G06F 3/048–04897; G06F 3/013; G06F 3/017; G06F 3/165; G06F 16/168; G06F 16/7335; G06F 2203/014; G06F 2206/1008; G06F 2209/545; G06F 30/12; G06F 40/106; G06T 13/80; G06T 15/00; G06T 15/02; G06Q 10/10; H04M 1/6075; H04M 3/567; H04M 1/2477; H04M 1/26; H04L 51/04; H04L 12/1813; H04N 7/16; H04N 1/00408

See application file for complete search history.

(56) **References Cited**

U.S. PATENT DOCUMENTS

D682,262 S	5/2013	Akana et al.	
D683,345 S	5/2013	Akana et al.	
D711,427 S	8/2014	Clarke et al.	
D712,432 S	9/2014	Chaudhri	
D717,312 S	11/2014	Matas et al.	
D721,379 S *	1/2015	Moon	D14/485

9,185,062 B1 *	11/2015	Yang	H04L 51/234
D757,737 S *	5/2016	Chaudhri	G06F 3/04817 D14/485
D760,770 S *	7/2016	Zhu	D14/488
D795,295 S	8/2017	Bull et al.	
D803,238 S *	11/2017	Anzures	D14/485
D825,612 S *	8/2018	Anzures	D14/488
D826,243 S	8/2018	Broughton et al.	
D835,657 S	12/2018	Anzures et al.	
D861,010 S	9/2019	Anzures et al.	
D877,175 S *	3/2020	Caro	D14/488
D877,180 S	3/2020	Baumann et al.	
D879,136 S *	3/2020	Anzures	D14/488
D923,043 S *	6/2021	Miyamoto	D14/488

(Continued)

OTHER PUBLICATIONS

LifeHacker | It's Finally Easy to Find and Save Photos From Messages in iOS 15, posted on Sep. 1, 2021, © 2007-2012 Pedestrian Group [online], [site visited Aug. 13, 2022]. Available from Internet, <URL: <https://www.lifehacker.com.au/2021/09/its-finally-easy-to-find-and-save-photos-from-messages-in-ios-15/>>.*

Primary Examiner — Cary M Robinson
(74) *Attorney, Agent, or Firm* — Sterne, Kessler, Goldstein & Fox P.L.L.C.

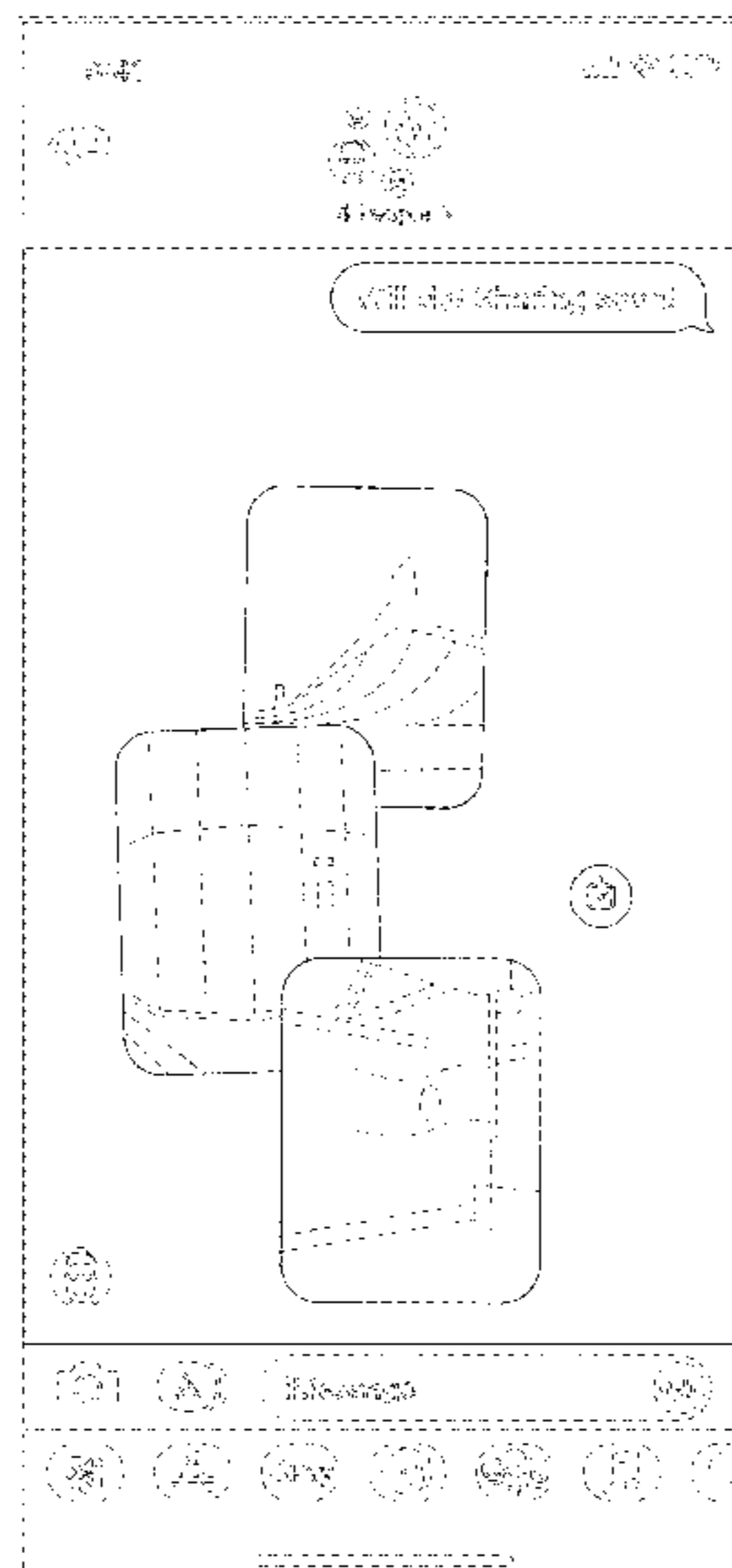
(57) **CLAIM**

The ornamental design for a display or portion thereof with graphical user interface, as shown and described.

DESCRIPTION

The FIGURE is a front view of a display or portion thereof with graphical user interface showing the claimed design. The outer broken lines in the FIGURE show a display or portion thereof, and form no part of the claimed design. The other broken lines in the FIGURE show portions of the graphical user interface that form no part of the claimed design.

1 Claim, 1 Drawing Sheet



(56)

References Cited

U.S. PATENT DOCUMENTS

D924,916	S	*	7/2021	Smith	D14/486
D955,410	S	*	6/2022	Paul	D14/485
D955,420	S	*	6/2022	Paul	D14/486
D955,421	S	*	6/2022	Paul	D14/486
2012/0265528	A1	*	10/2012	Gruber	G10L 15/18 704/235
2015/0199112	A1	*	7/2015	Van Ryswyk	G06F 3/04842 715/762
2016/0149842	A1	*	5/2016	Chang	H04L 51/046 709/206

* cited by examiner

