



US00D973700S

(12) **United States Design Patent**
Lee et al.

(10) **Patent No.:** **US D973,700 S**

(45) **Date of Patent:** **** Dec. 27, 2022**

(54) **DISPLAY SCREEN OR PORTION THEREOF WITH TRANSITIONAL GRAPHICAL USER INTERFACE**

(71) Applicant: **SAMSUNG ELECTRONICS CO., LTD.**, Suwon-si (KR)

(72) Inventors: **Jihyun Lee**, Suwon-si (KR); **Jina Lee**, Suwon-si (KR)

(73) Assignee: **SAMSUNG ELECTRONICS CO., LTD.**, Gyeonggi-Do (KR)

(**) Term: **15 Years**

(21) Appl. No.: **29/762,931**

(22) Filed: **Dec. 18, 2020**

(30) **Foreign Application Priority Data**

Jul. 24, 2020 (KR) 30-2020-0034433

(51) **LOC (13) Cl.** **14-04**

(52) **U.S. Cl.**
USPC **D14/486**

(58) **Field of Classification Search**
USPC D14/485-495
CPC G06F 3/04847; G06F 3/0485; G06F 3/048;
G06F 3/0488; H04N 1/00477
See application file for complete search history.

(56) **References Cited**

U.S. PATENT DOCUMENTS

D601,156 S *	9/2009	Motohashi	D14/487
D684,583 S *	6/2013	Brinda	D14/485
D708,212 S *	7/2014	Capua	D14/488
D714,822 S *	10/2014	Capua	D14/488
D734,353 S *	7/2015	Soojun	D14/486
D736,803 S *	8/2015	Kim	D14/486
D745,026 S *	12/2015	Bae	D14/486
9,219,830 B1 *	12/2015	Ciorba	H04N 1/00177

D746,831 S *	1/2016	Chaudhri	D14/485
D753,146 S *	4/2016	Kim	D14/485
D759,093 S *	6/2016	Singh	D14/488
D760,263 S *	6/2016	Ta	D14/486
D765,090 S *	8/2016	Yang	D14/485
D770,472 S *	11/2016	Lee	D14/487
D784,398 S *	4/2017	Clarke	D14/487

(Continued)

Primary Examiner — Katherine A Holbrow

(74) *Attorney, Agent, or Firm* — Cantor Colburn LLP

(57) **CLAIM**

The ornamental design for a display screen or portion thereof with transitional graphical user interface, as shown and described.

DESCRIPTION

FIG. 1 is a front view of the first image in a sequence of a first embodiment of a display screen or portion thereof with transitional graphical user interface, showing our new design;

FIG. 2 is a front view of the second image thereof;

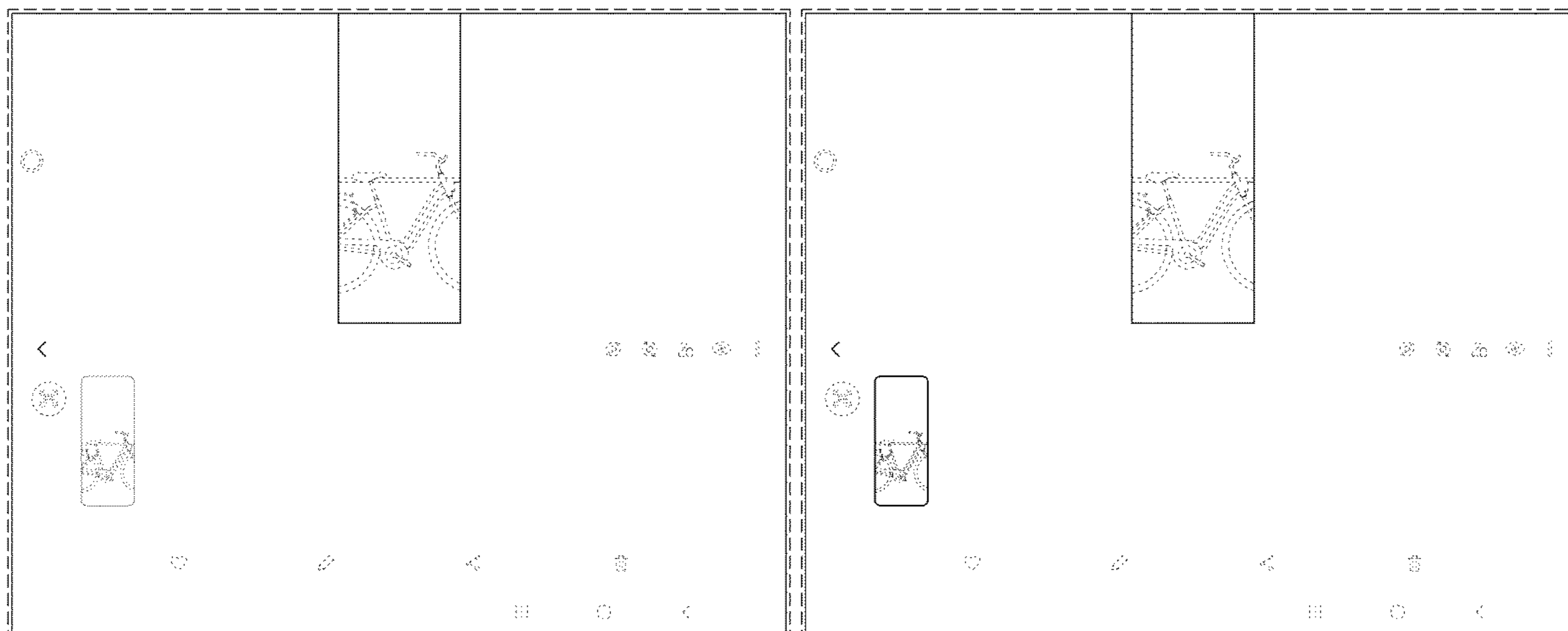
FIG. 3 is a front view of the first image in a sequence of a second embodiment of a display screen or portion thereof with transitional graphical user interface, showing our new design; and,

FIG. 4 is a front view of the second image thereof.

The appearance of the transitional graphical user interface sequentially transitions between the images shown in FIGS. 1-2 and 3-4, respectively. The process or period in which one image transitions to another forms no part of the claimed design.

The outer perimeter illustrated by dashed broken lines in FIGS. 1-4 represents a display screen or portion thereof and forms no part of the claimed design. The contrast shown in weight of the lines in the figures represents a contrast of appearance. The remaining dashed broken lines shown in the drawings illustrate portions of the graphical user interface that form no part of the claimed design.

1 Claim, 4 Drawing Sheets



(56)

References Cited

U.S. PATENT DOCUMENTS

D786,283	S *	5/2017	Jaini	D14/486
D789,969	S *	6/2017	Chaudhri	D14/486
D823,883	S *	7/2018	Stringham	D14/487
D833,478	S *	11/2018	Coquilla	D14/488
D837,230	S *	1/2019	Johnston	D14/485
D838,735	S *	1/2019	Liao	D14/488
D847,197	S *	4/2019	Kim	D14/488
D849,033	S *	5/2019	Mokwunye	D14/486
D868,100	S *	11/2019	Shu	D14/487
D879,817	S *	3/2020	Evans	D14/486
D900,140	S *	10/2020	Park	D14/486
D940,170	S *	1/2022	Yokomoto	D14/486
D947,227	S *	3/2022	Kim	D14/488
D949,914	S *	4/2022	Su	D14/488
D954,098	S *	6/2022	Chen	D14/487
2007/0011702	A1 *	1/2007	Vaysman	H04N 21/4821 348/E7.071

* cited by examiner

FIG. 1

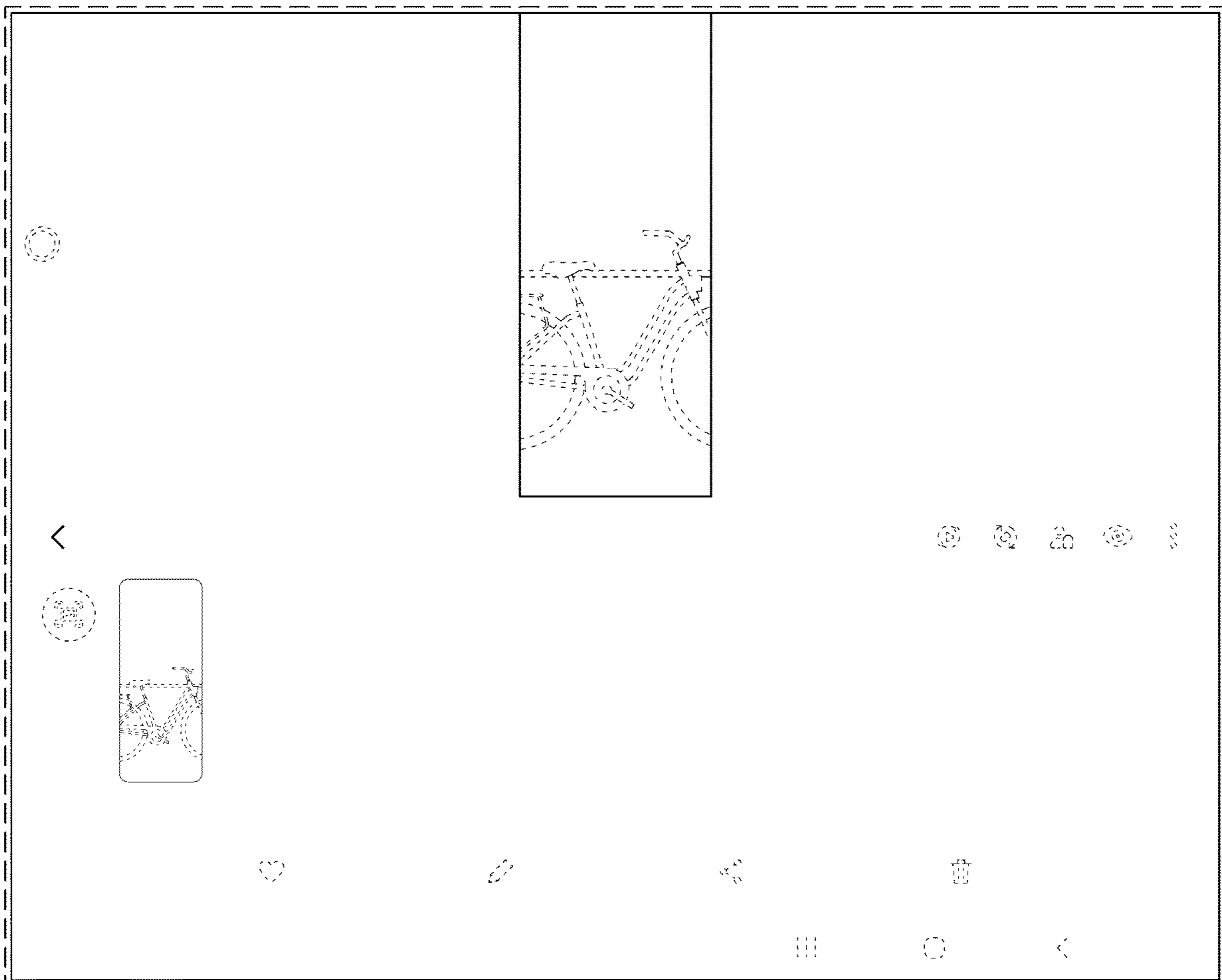


FIG. 2

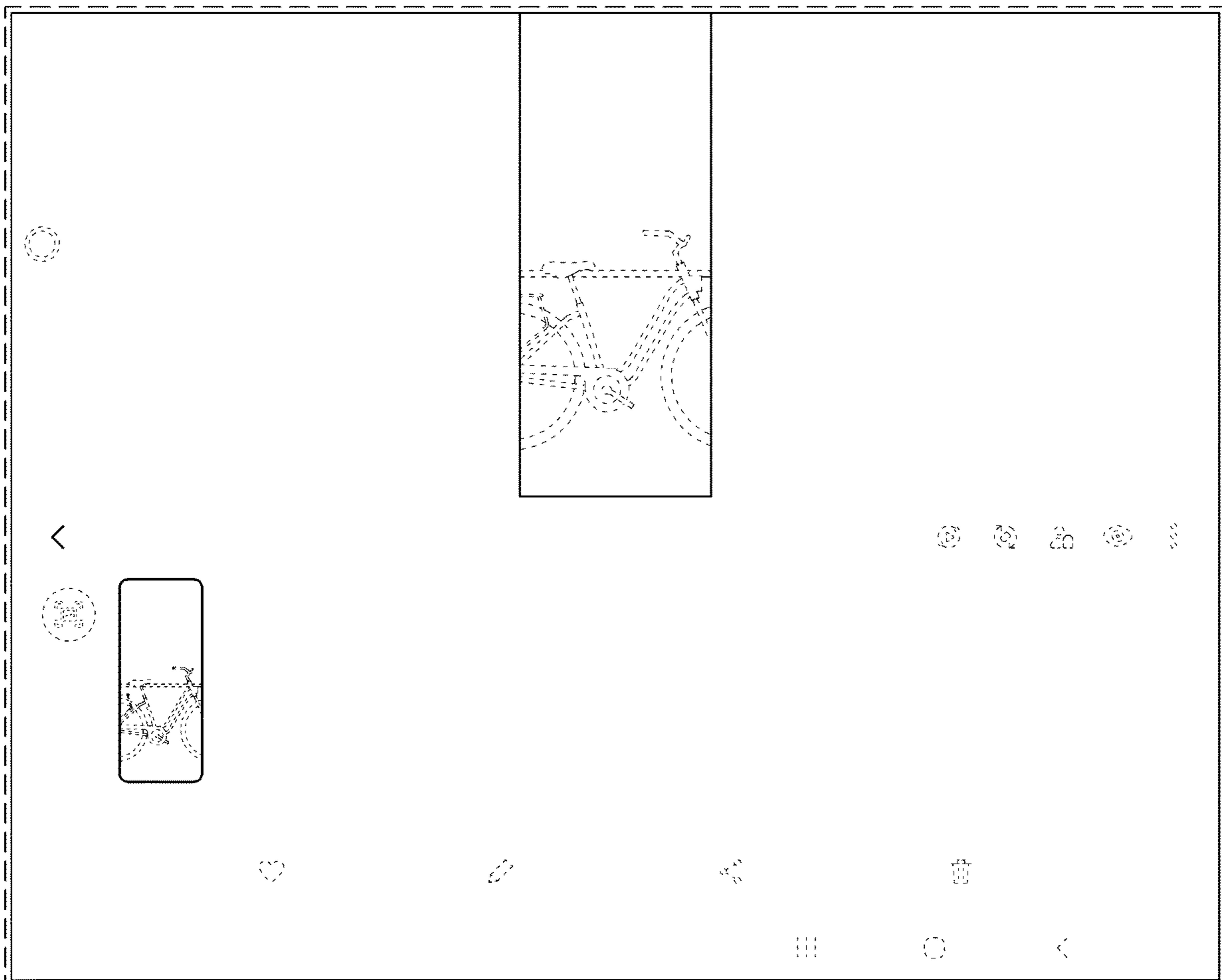


FIG. 3

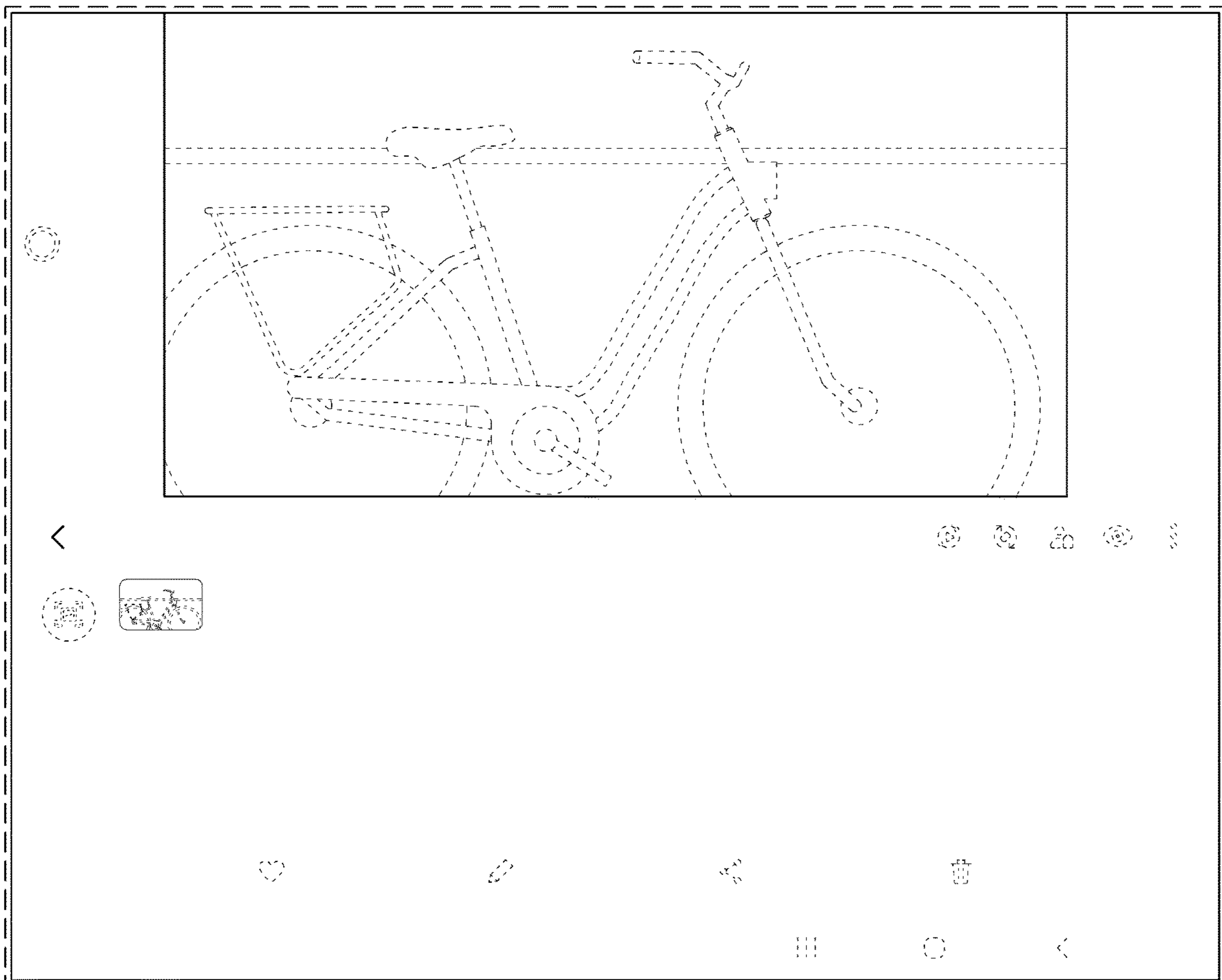


FIG. 4

