



US00D973673S

(12) **United States Design Patent** (10) **Patent No.:** **US D973,673 S**
Park et al. (45) **Date of Patent:** **** Dec. 27, 2022**

(54) **STAND FOR DISPLAY DEVICE**

(71) Applicant: **LG ELECTRONICS INC.**, Seoul (KR)

(72) Inventors: **Chanwoo Park**, Seoul (KR); **Jiyeon Lee**, Seoul (KR); **Yongho Lee**, Seoul (KR); **Areum Kwon**, Seoul (KR)

(73) Assignee: **LG ELECTRONICS INC.**, Seoul (KR)

(**) Term: **15 Years**

(21) Appl. No.: **35/512,655**

(22) Filed: **Mar. 26, 2021**

(80) **Hague Agreement Data**

Int. Filing Date: **Mar. 26, 2021**

Int. Reg. No.: **DM/213896**

Int. Reg. Date: **Mar. 26, 2021**

Int. Reg. Pub. Date: **Oct. 1, 2021**

(30) **Foreign Application Priority Data**

Oct. 5, 2020 (KR) 30-2020-0047625

(51) **LOC (13) Cl.** **14-02**

(52) **U.S. Cl.**
USPC **D14/451**

(58) **Field of Classification Search**

USPC D14/125-129, 239, 251-253, 335-337, D14/371-382, 432, 439-441, 447-452, D14/457, 492; D8/349, 354, 363, 373, D8/376, 380; 348/180, 184, 325, 739, 348/825; D12/407, 415; D3/218; 341/12

CPC G06F 3/0412; G06F 3/0488; G06F 3/016; G06F 3/011; G06F 3/038; G06F 3/03543; G06F 3/0338; G06F 3/0202; G06F 3/0219; G06F 3/0213; G06F 1/1616; G06F 3/023; G06F 3/04883; G02F 1/13338; G02F 1/1313; G02F 1/1333;

G02F 1/135; G02F 1/132; G02F 1/133308; G02F 1/134309; G02F 1/13718; G09G 3/3648; G06K 15/1252; B41J 2/465; G03F 7/70291; G02B 27/0172; G02B 5/30; G02B 2027/0118; G02B 27/0101; F16M 13/02; F16M 13/00; F16M 11/10; F16M 11/04; F16M 2200/08;

(Continued)

(56) **References Cited**

U.S. PATENT DOCUMENTS

D203,199 S * 12/1965 Beckman D6/708
D680,089 S * 4/2013 Cho D14/126

(Continued)

Primary Examiner — Katie Jane Stofko

(74) *Attorney, Agent, or Firm* — Birch, Stewart, Kolasch & Birch, LLP

(57) **CLAIM**

The ornamental design for a stand for display device, as shown and described.

DESCRIPTION

1. Stand for display device

1.1 : Perspective

1.2 : Rear perspective

1.3 : Bottom perspective

1.4 : Front

1.5 : Back

1.6 : Left

1.7 : Right

1.8 : Top

1.9 : Bottom

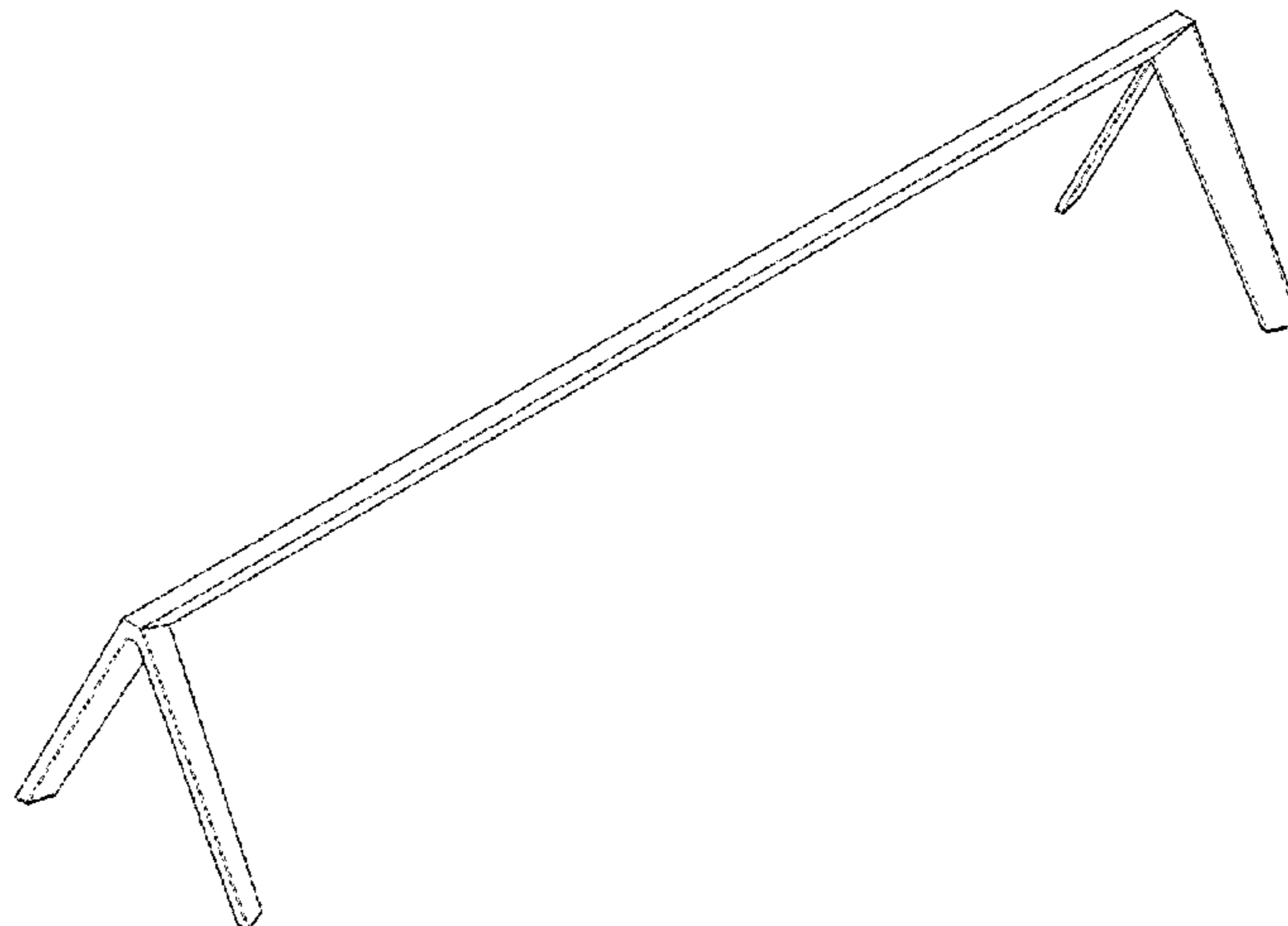
1.10 : Enlarged

1.11 : Enlarged

1.12 : Reference

Reproductions 1.10 and 1.11 are enlarged views of portions of reproduction 1.1 and 1.13, respectively; reproduction 1.12

(Continued)



shows the state of use with the display device; the broken lines depict environmental subject matter and form no part of the claimed design.

1 Claim, 12 Drawing Sheets

(58) **Field of Classification Search**

CPC F16M 11/2021; A47B 21/0314; A47B
88/044; A47B 2021/0335; H02G 3/126;
F16B 47/00; F16B 47/006; A47G 1/17;
A47K 2201/00

See application file for complete search history.

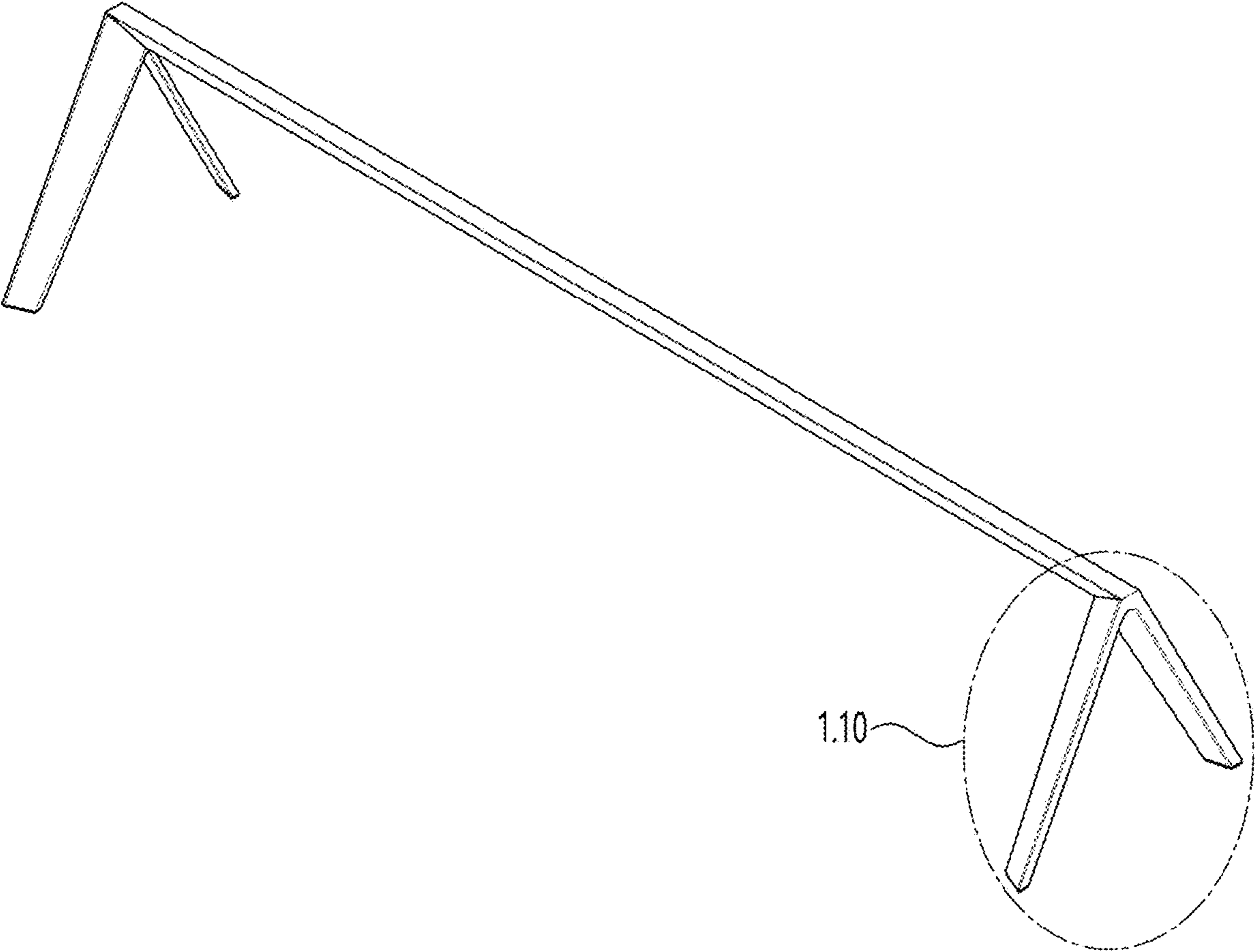
(56) **References Cited**

U.S. PATENT DOCUMENTS

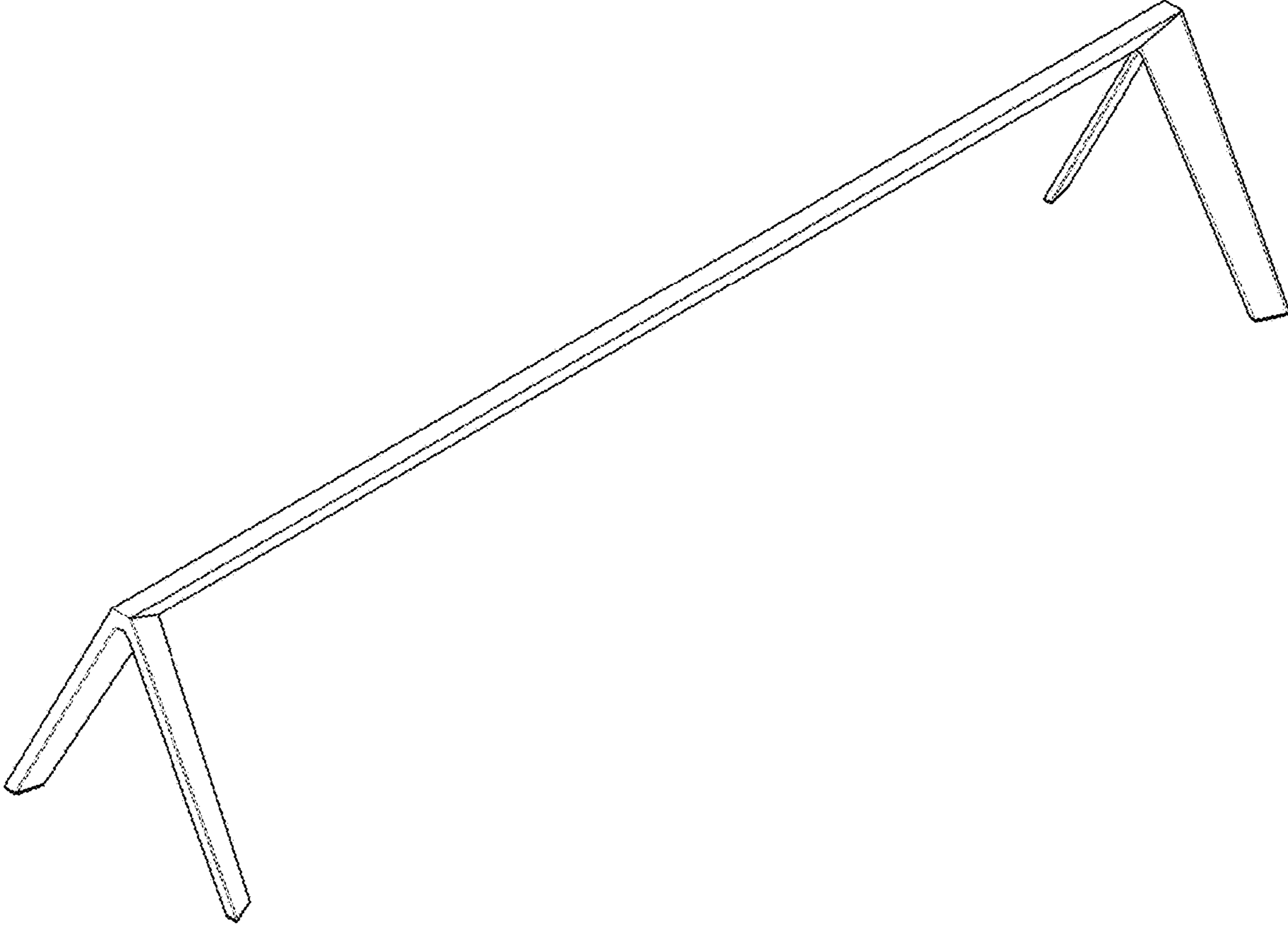
D680,106	S	*	4/2013	Hwangbo	D14/239
D682,799	S	*	5/2013	Hwang Bo	D14/126
D695,245	S	*	12/2013	Hara	D14/126
D716,244	S	*	10/2014	Kim	D14/126
D743,385	S	*	11/2015	Ann	D14/239
D748,596	S	*	2/2016	McManigal	D14/126
D818,979	S	*	5/2018	Won	D14/126
D819,584	S	*	6/2018	Won	D14/126
D823,824	S	*	7/2018	Won	D14/126
D835,059	S	*	12/2018	Kim	D14/126
D868,713	S	*	12/2019	Lee	D14/126
D884,663	S	*	5/2020	Jang	D14/126
D898,688	S	*	10/2020	Lee	D14/126

* cited by examiner

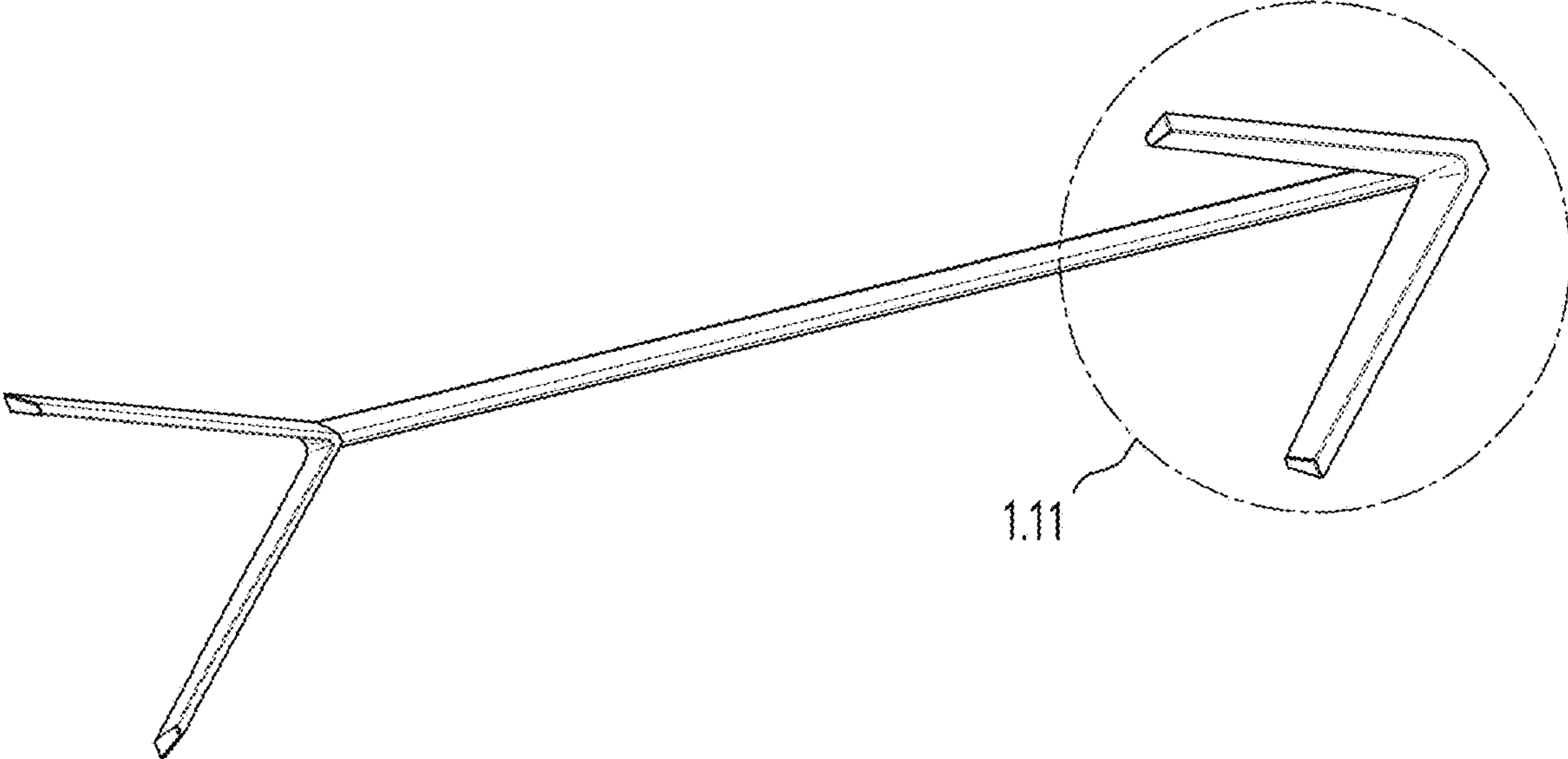
1.1



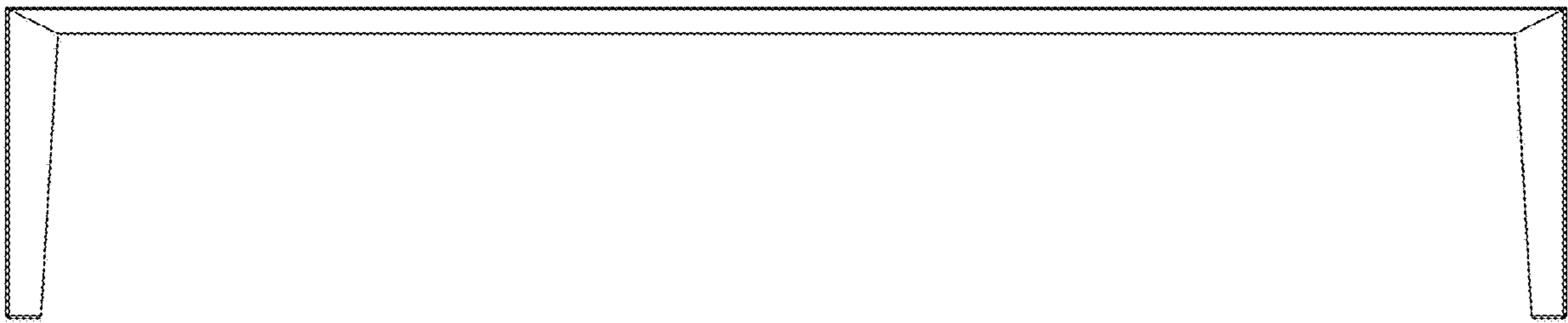
1.2



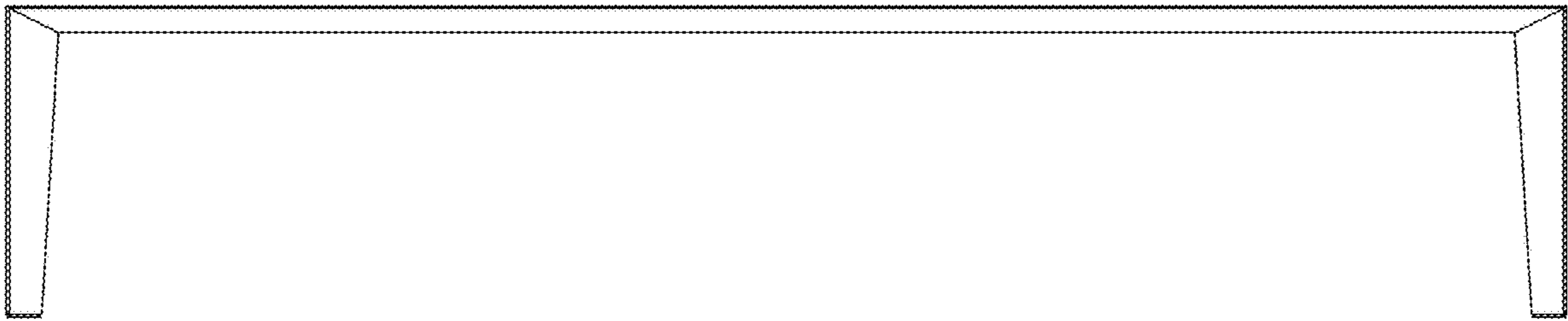
1.3



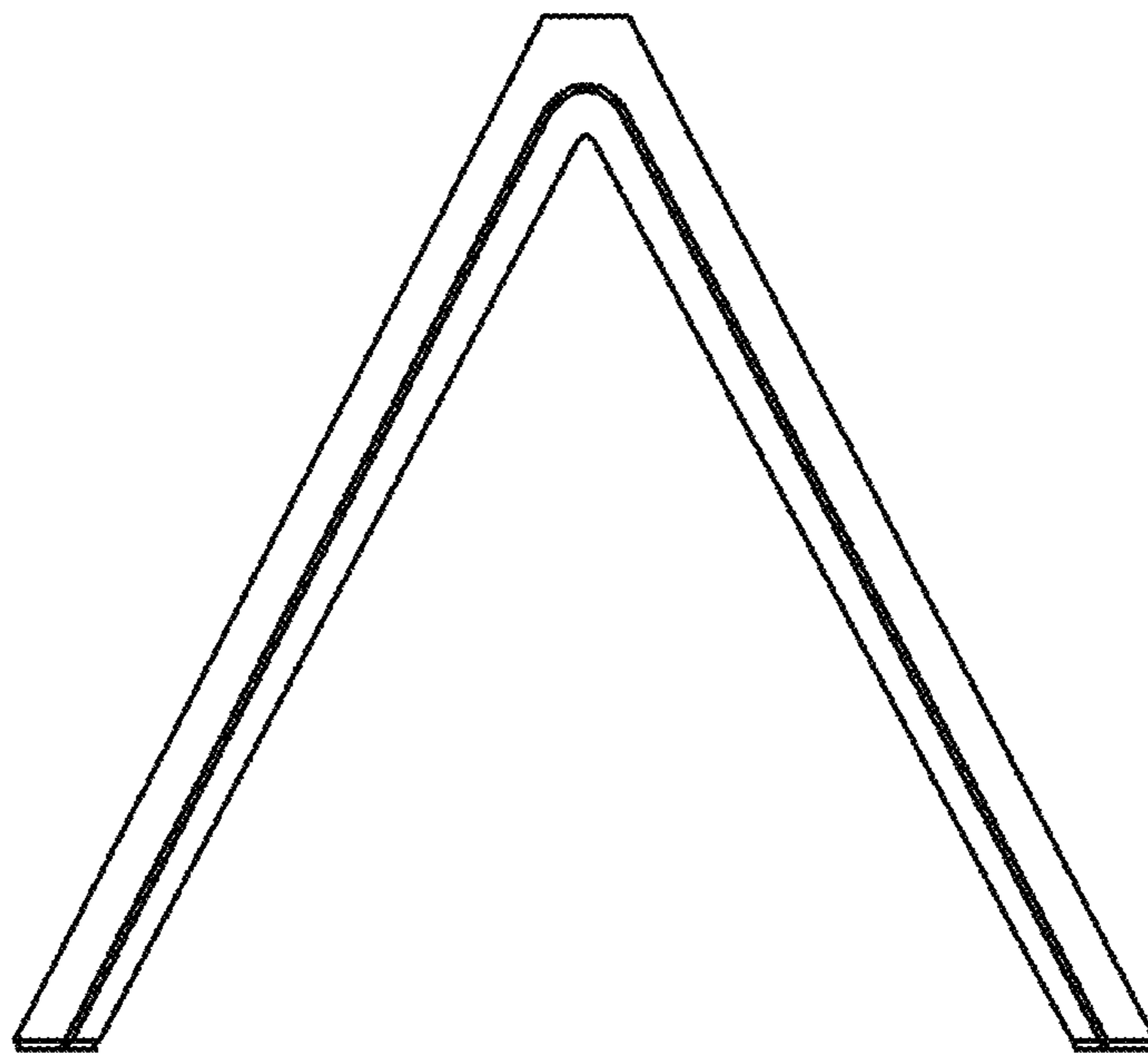
1.4



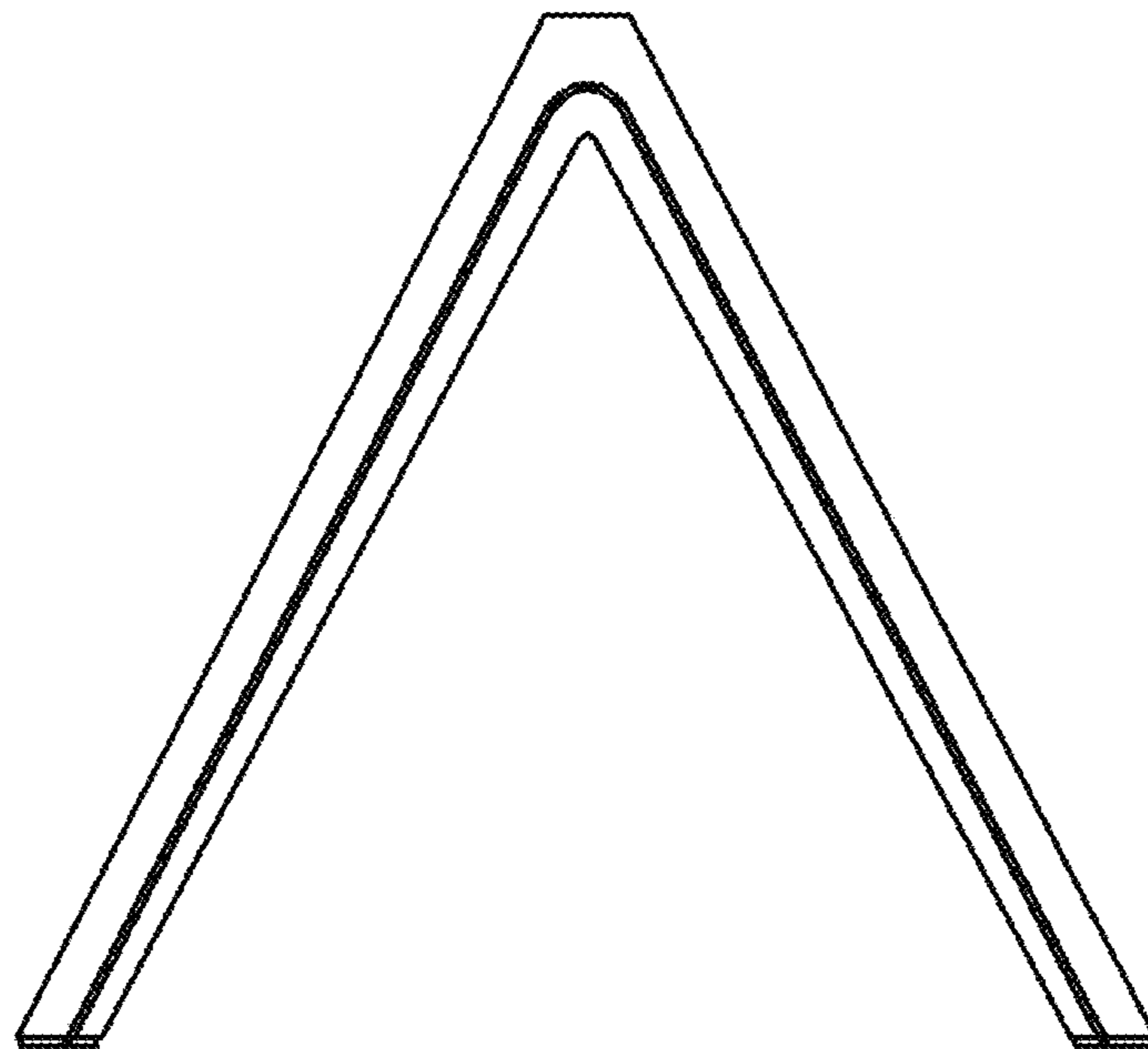
1.5



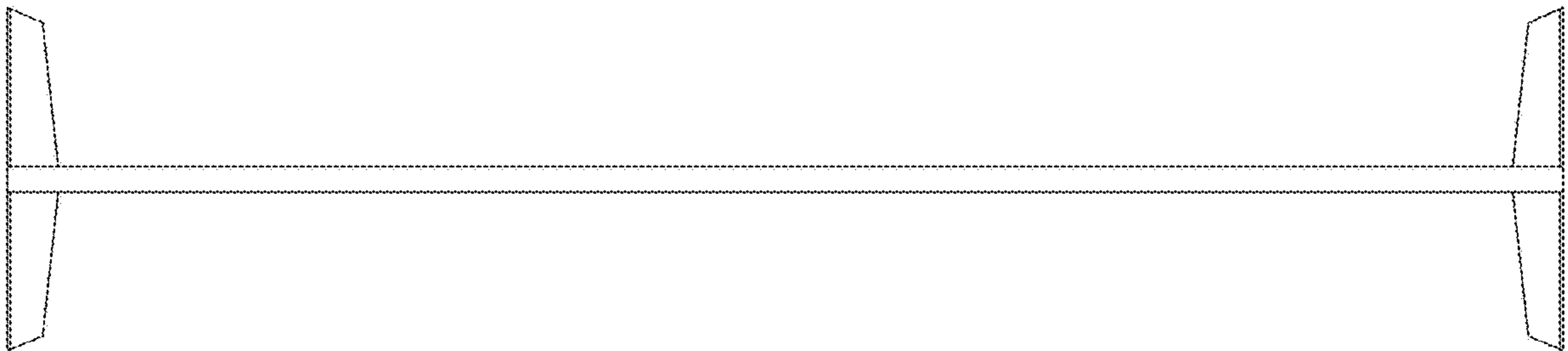
1.6



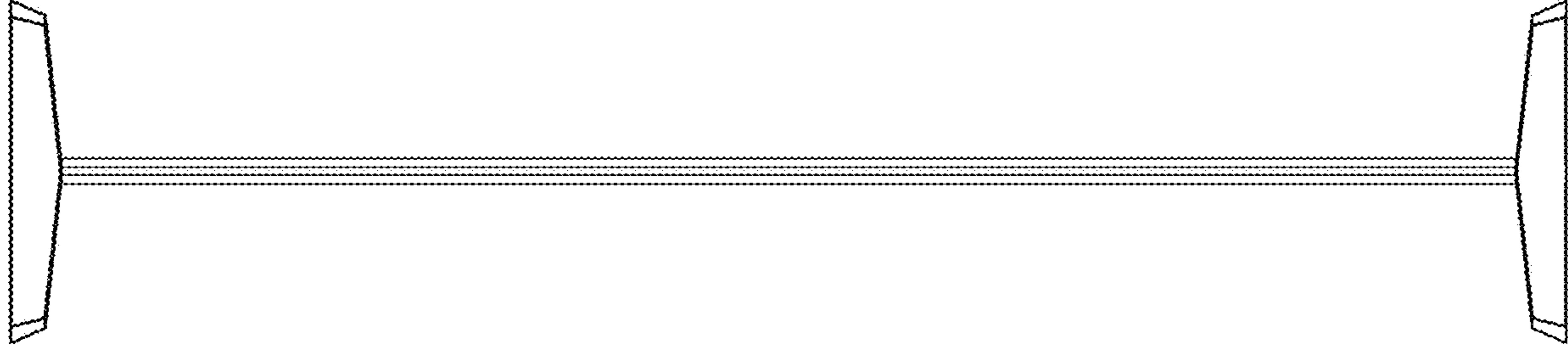
1.7



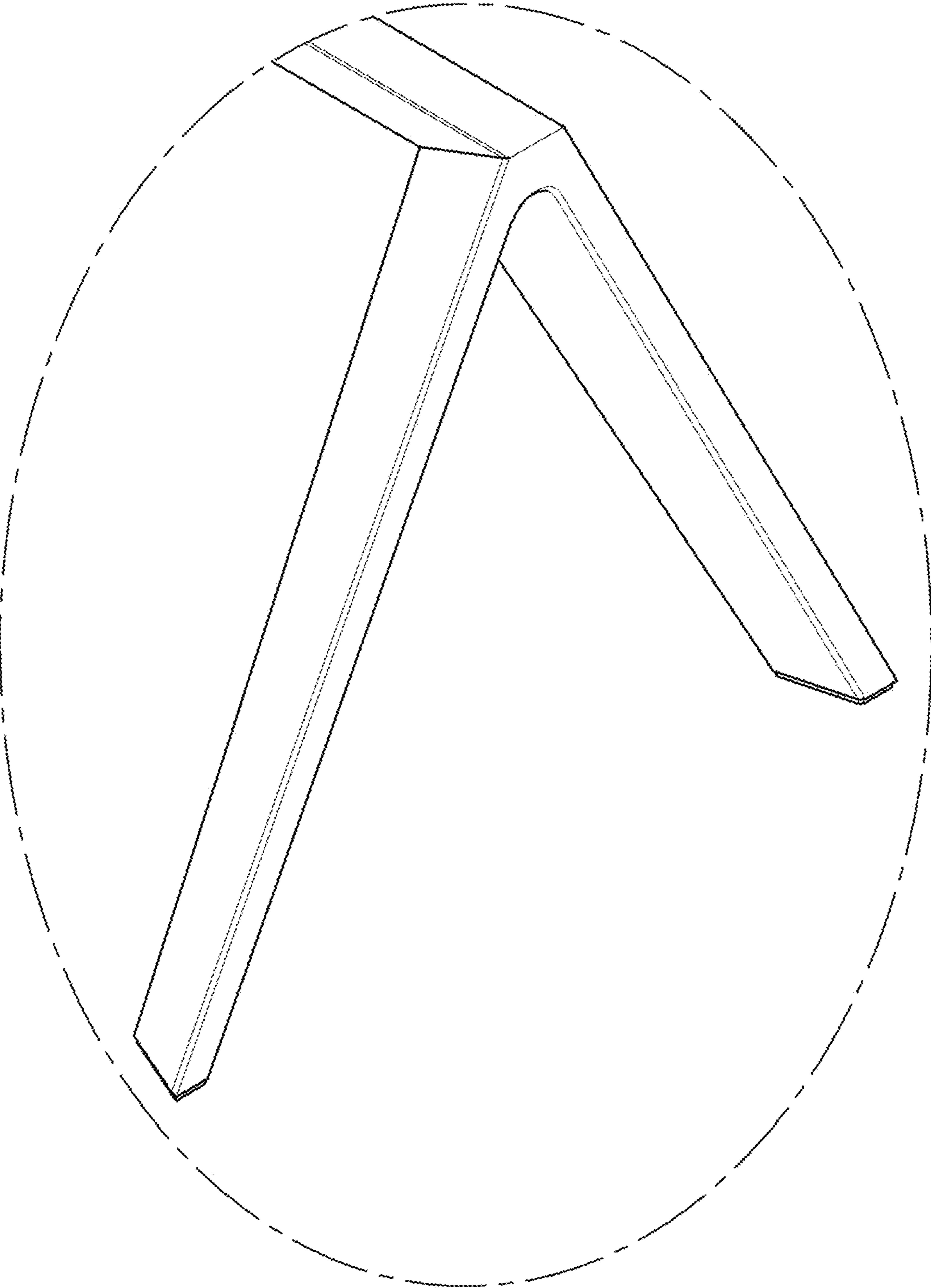
1.8



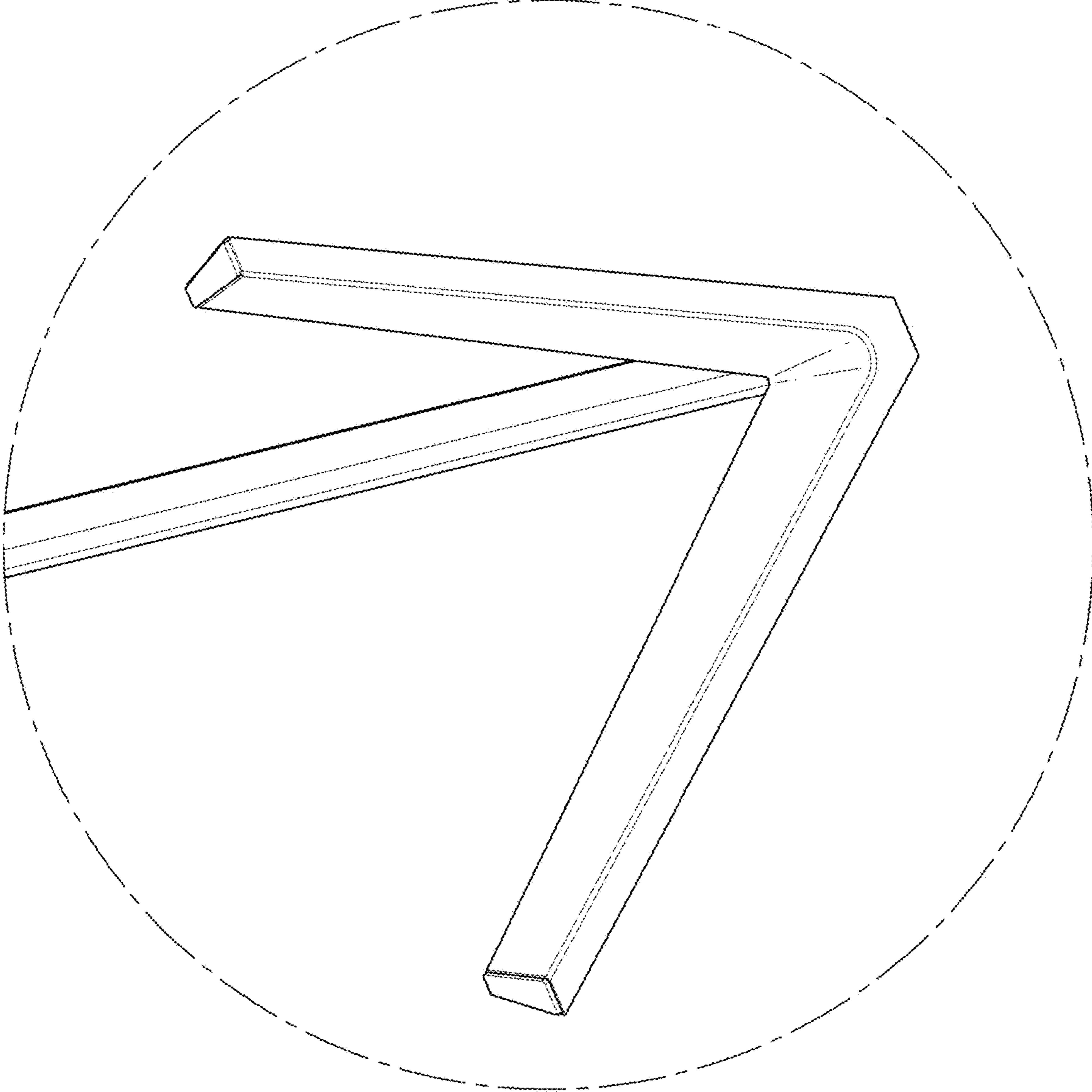
1.9



1.10



1.11



1.12

