



US00D973670S

(12) **United States Design Patent** (10) **Patent No.:** **US D973,670 S**  
**Lee** (45) **Date of Patent:** **\*\* Dec. 27, 2022**

(54) **SCREEN PROTECTION FILTER**  
(71) Applicant: **RIGHT GROUP CENTRAL CO., LTD.**, New Taipei (TW)  
(72) Inventor: **An-fang Lee**, New Taipei (TW)  
(73) Assignee: **RIGHT GROUP CENTRAL CO., LTD.**, New Taipei (TW)  
(\*\*) Term: **15 Years**  
(21) Appl. No.: **29/721,687**  
(22) Filed: **Jan. 22, 2020**  
(51) **LOC (13) Cl.** ..... **14-02**  
(52) **U.S. Cl.**  
USPC ..... **D14/450**  
(58) **Field of Classification Search**  
USPC ..... D14/371-382, 125-129, 335-337, D14/447-452, 492, 239, 457, 439-441, D14/432, 251-253; D8/349, 354, 363, D8/367, 373, 376, 380; D21/333; D12/415; D3/218; 348/180, 184, 325, 348/739, 825; 248/323, 278.1, 286.1; D6/660, 661, 671, 672, 675, 675.1-675.3, D6/682, 677.1, 678.1, 678.2, 681.2; 359/601, 609  
CPC ..... G06F 3/0412; G06F 3/016; G06F 3/0488; G06F 3/011; G06F 3/038; G06F 3/03543; G06F 3/0338; G06F 3/0202; G06F 3/0219; G06F 3/0213; G06F 1/1616; G06F 3/023; G06F 3/04883; G02F 1/13338; G02F 1/1313; G02F 1/1333; G02F 1/135; G02F 1/132; G02F 1/133308; G02F 1/134309; G02F 1/13718; G09G 3/3648; G06K  
(Continued)

(56) **References Cited**  
U.S. PATENT DOCUMENTS  
6,008,429 A \* 12/1999 Ritger ..... A61L 15/58 602/57  
6,555,235 B1 \* 4/2003 Aufderheide ..... C09J 183/04 428/327

(Continued)

*Primary Examiner* — Katie Jane Stofko  
(74) *Attorney, Agent, or Firm* — Dragon Sun Law Firm, PC; Jinggao Li; Nathaniel Perkins

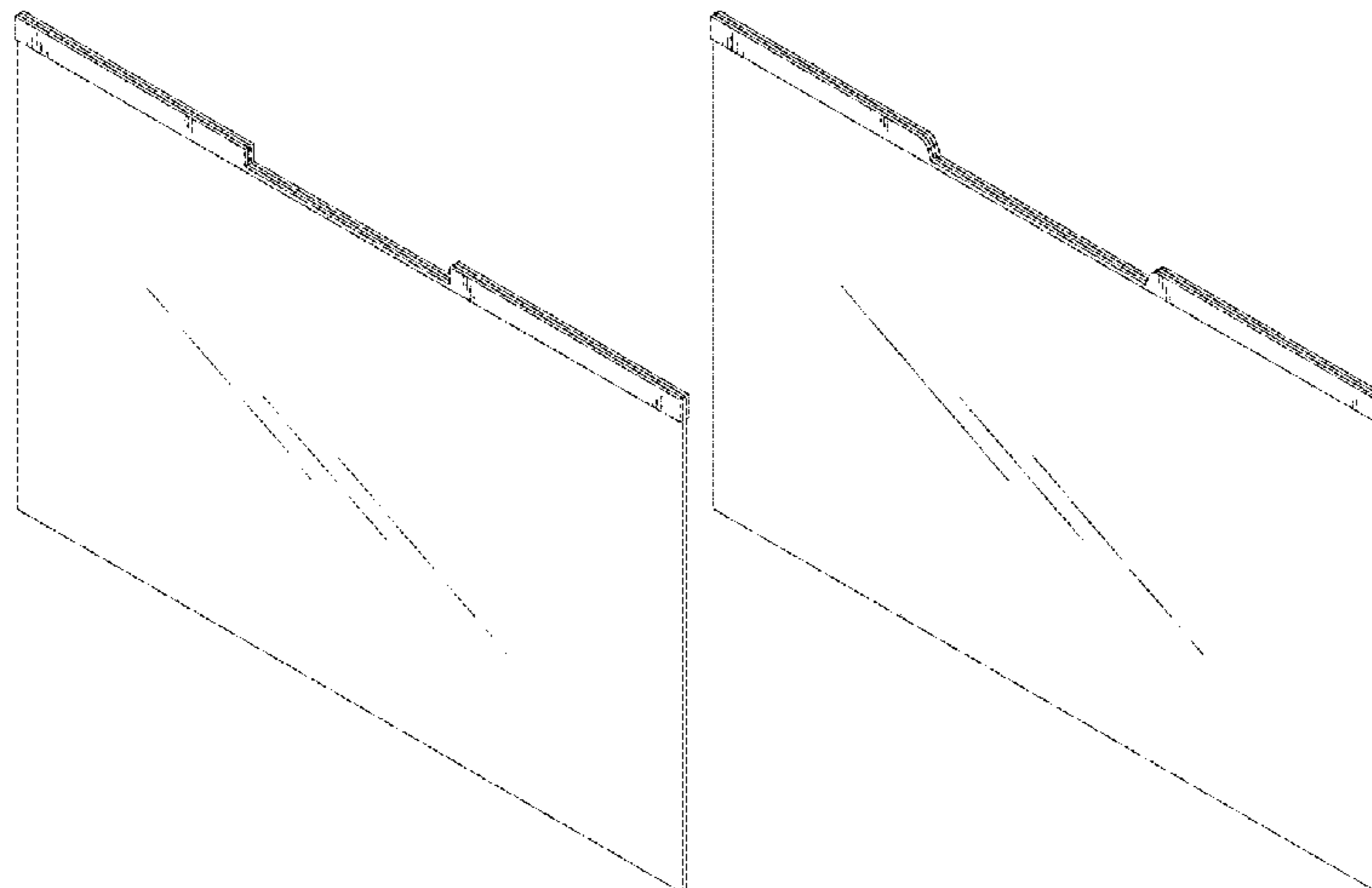
(57) **CLAIM**

I claim the ornamental design for a screen protection filter, as shown and described.

**DESCRIPTION**

FIG. 1 is a top, front and right side perspective view of a screen protection filter according to a first embodiment of my design;  
FIG. 2 is a front elevational view thereof;  
FIG. 3 is a rear elevational view thereof;  
FIG. 4 is a left side elevational view thereof;  
FIG. 5 is a right side elevational view thereof;  
FIG. 6 is a top plan view thereof;  
FIG. 7 is a bottom plan view thereof;  
FIG. 8 is a top, front and right side perspective view of a screen protection filter according to a second embodiment of my design;  
FIG. 9 is a front elevational view of FIG. 8;  
FIG. 10 is a rear elevational view of FIG. 8;  
FIG. 11 is a left side elevational view of FIG. 8;  
FIG. 12 is a right side elevational view of FIG. 8;  
FIG. 13 is a top plan view of FIG. 8;  
FIG. 14 is a bottom plan view of FIG. 8;  
FIG. 15 is a top, front and right side perspective view of a screen protection filter according to a third embodiment of my design;  
FIG. 16 is a front elevational view of FIG. 15;  
FIG. 17 is a rear elevational view of FIG. 15;  
FIG. 18 is a left side elevational view of FIG. 15;  
FIG. 19 is a right side elevational view of FIG. 15;  
FIG. 20 a top plan view of FIG. 15; and  
FIG. 21 is a bottom plan view of FIG. 15.

**1 Claim, 21 Drawing Sheets**



(58) **Field of Classification Search**

CPC .. 15/1252; B41J 2/465; G03F 7/70291; G02B  
27/0172; G02B 5/30; G02B 2027/0118;  
G02B 27/0101; F16M 13/02; F16M  
13/00; F16M 11/10; F16M 11/04; F16M  
2200/08; F16M 11/2021; A47B 21/0314;  
A47B 88/044; A47B 2021/0335; H02G  
3/126; F16B 47/00; F16B 47/006; A47G  
1/17; A47K 2201/00

See application file for complete search history.

(56) **References Cited**

U.S. PATENT DOCUMENTS

D667,413	S	*	9/2012	Song	.....	D14/448
D814,465	S	*	4/2018	Kim	.....	D14/374
D817,290	S	*	5/2018	Lee	.....	D14/126
D836,644	S	*	12/2018	Li	.....	D14/440
D844,012	S	*	3/2019	Leipold	.....	G02B 7/00 D14/450
D844,625	S	*	4/2019	Liu	.....	D14/450
10,496,916	B1	*	12/2019	Cowan	.....	G06K 19/07722
10,909,274	B2	*	2/2021	Li	.....	G06F 21/84
D915,415	S	*	4/2021	Lee	.....	D14/450
D940,695	S	*	1/2022	Yang	.....	D14/230
D945,987	S	*	3/2022	Nam	.....	D14/248

\* cited by examiner

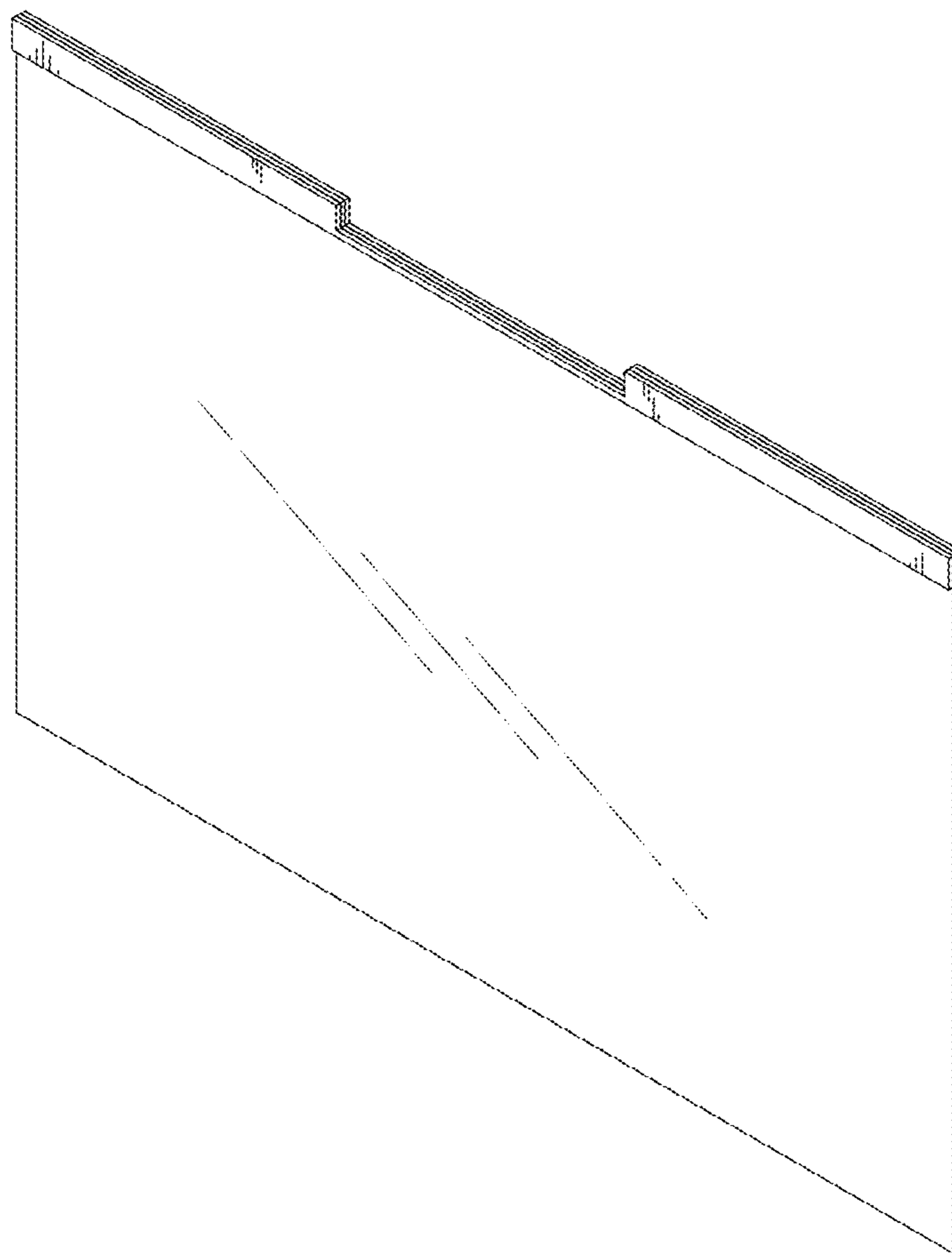


FIG. 1

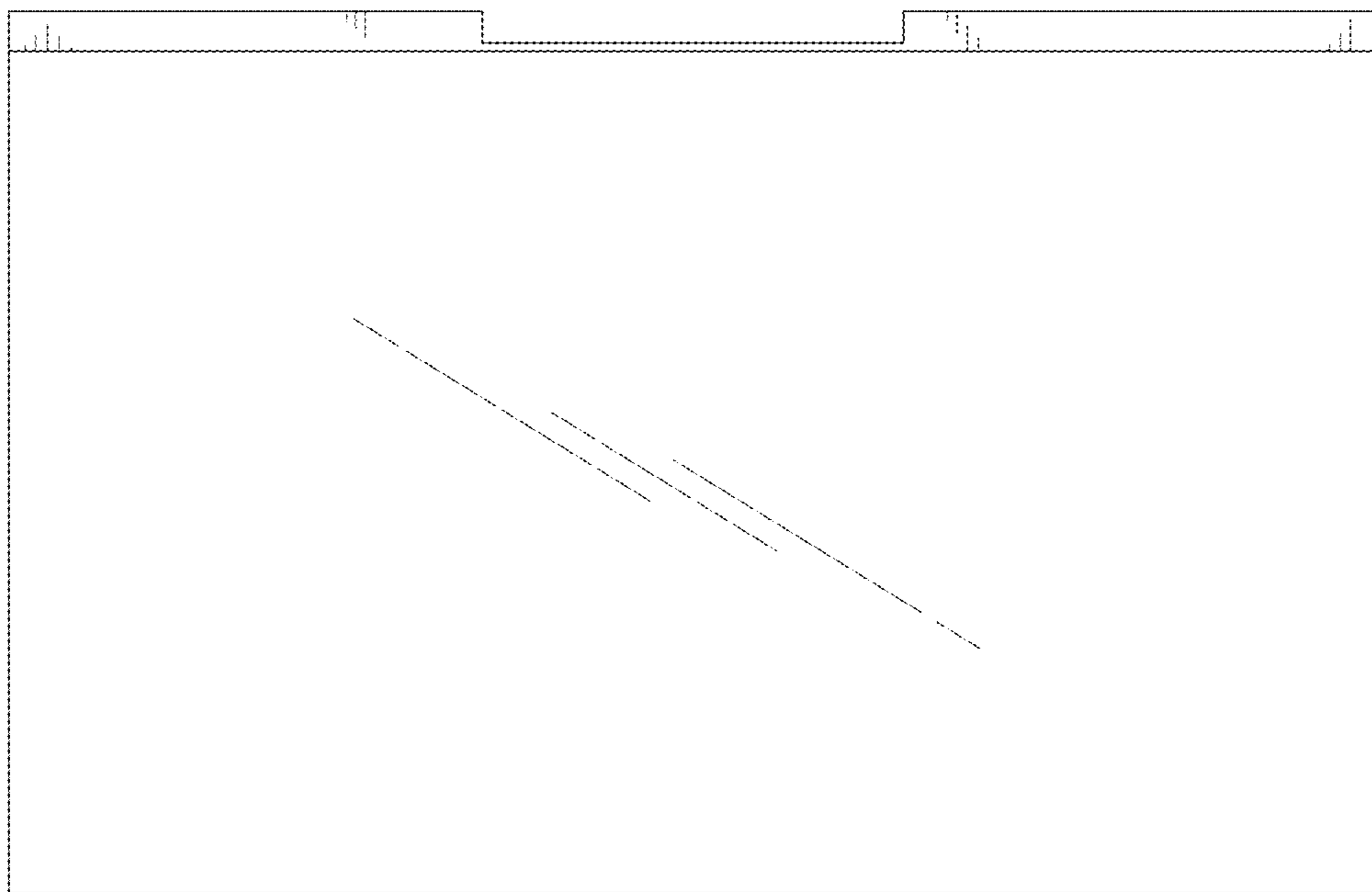


FIG. 2

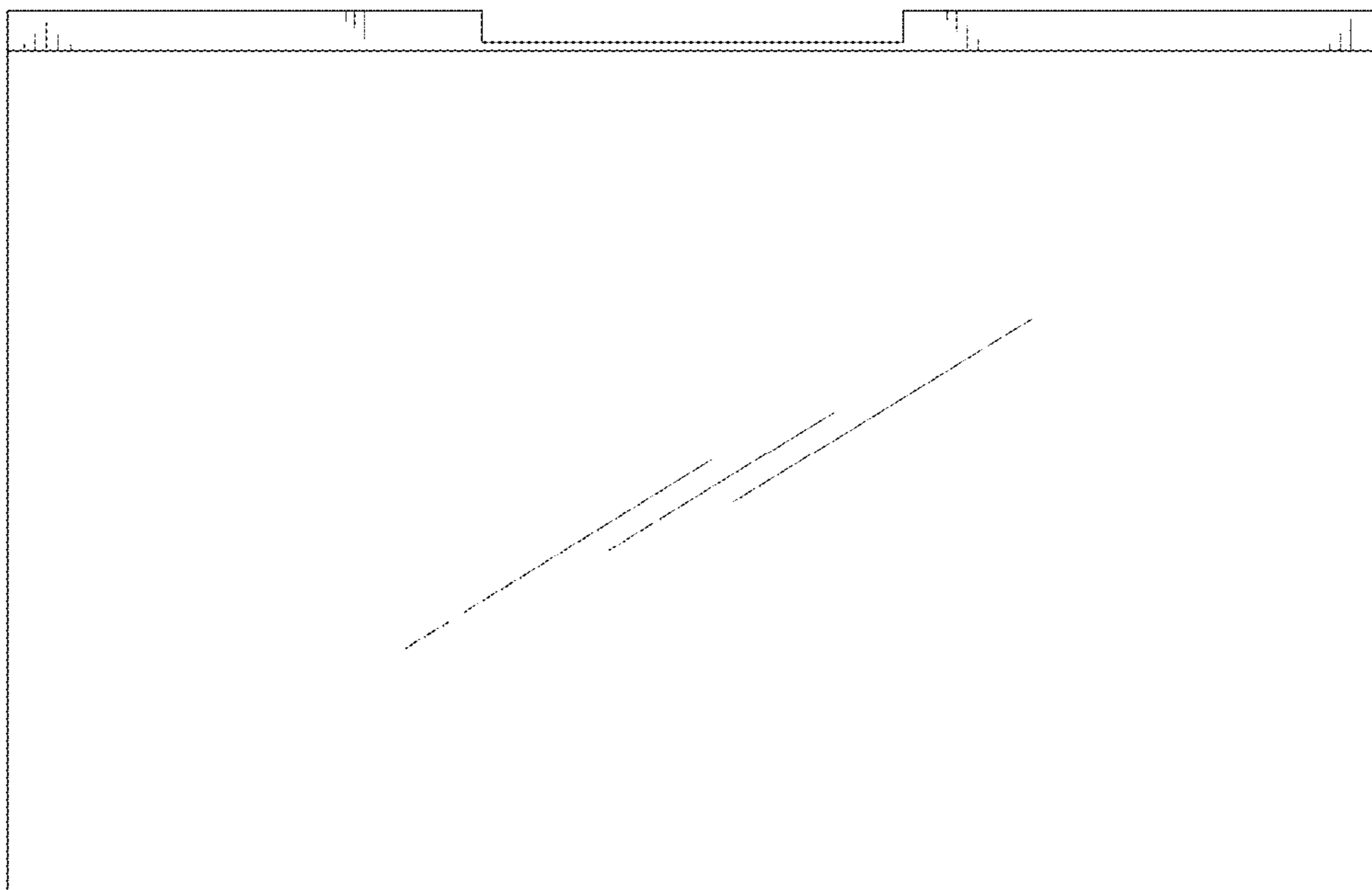


FIG. 3

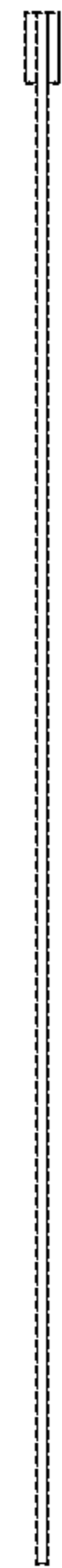


FIG. 4

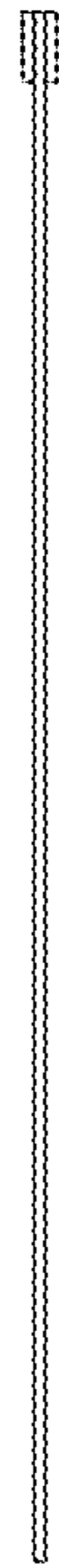


FIG. 5

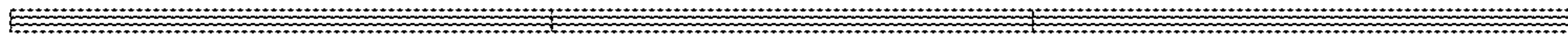
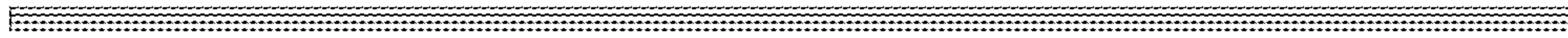


FIG. 6





**FIG. 7**

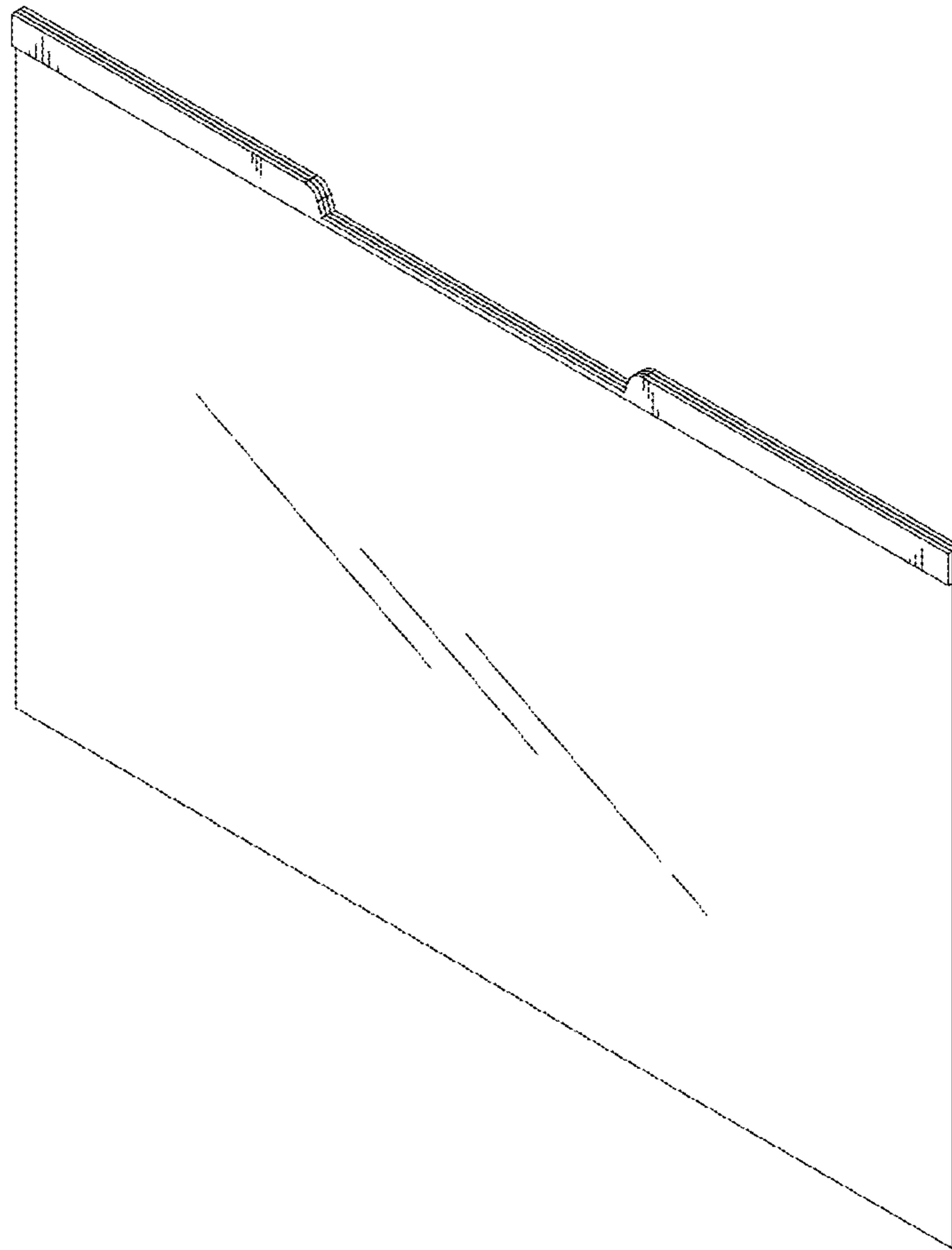


FIG. 8

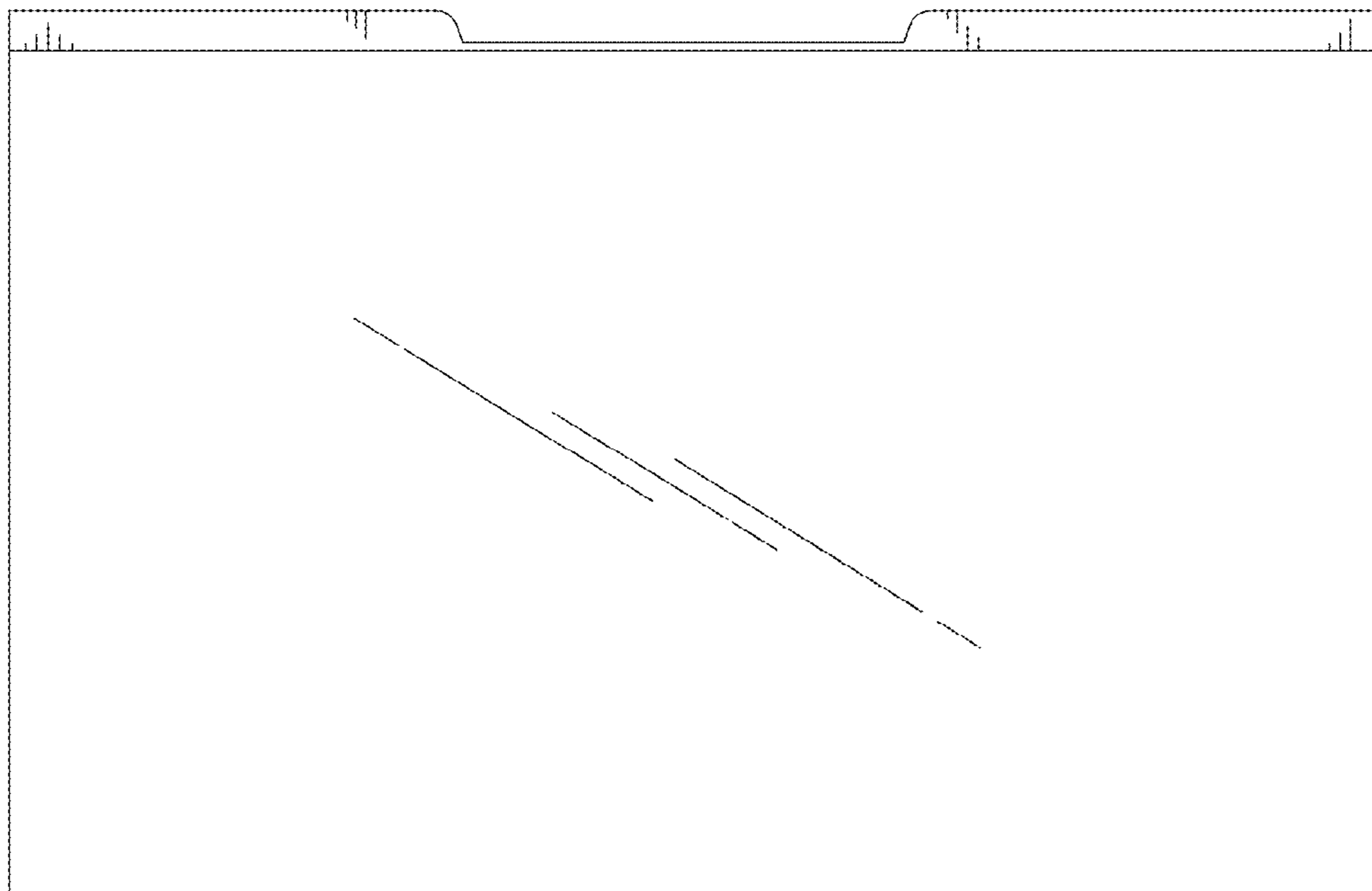


FIG. 9

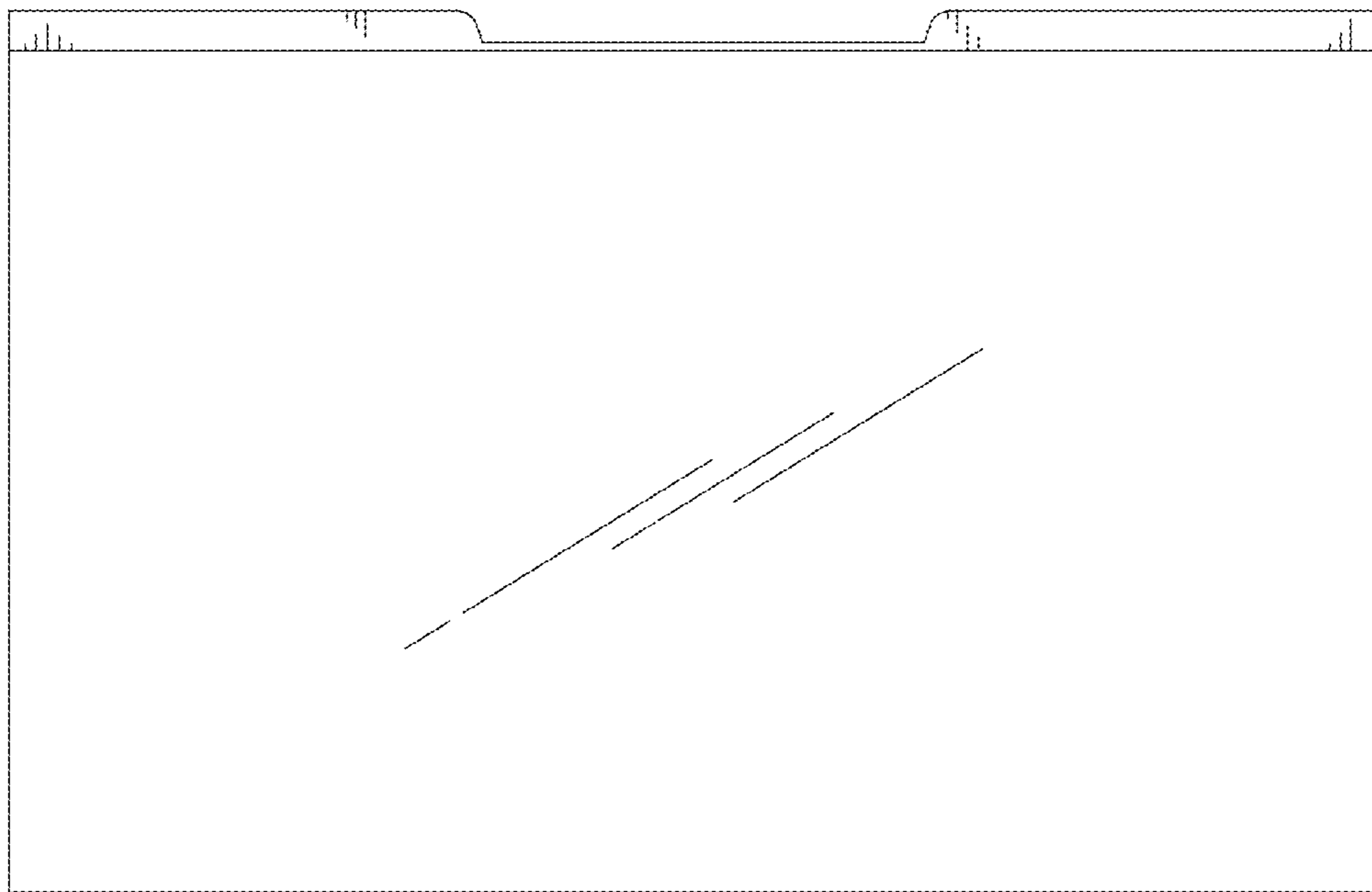


FIG. 10

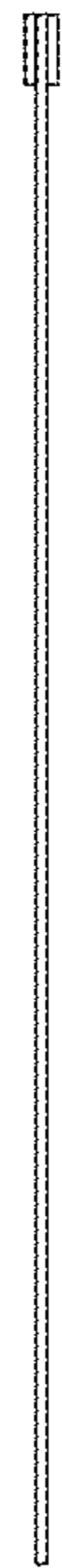


FIG. 11

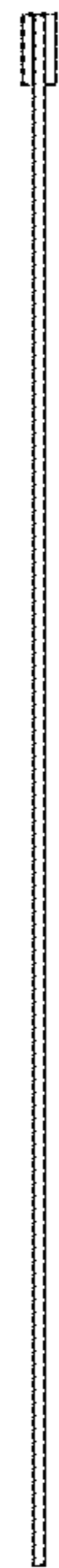


FIG. 12

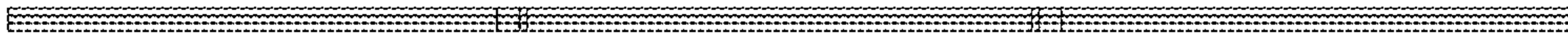


FIG. 13

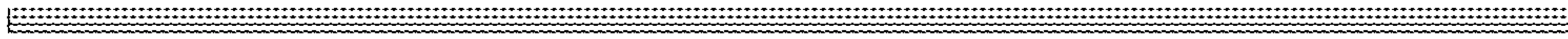


FIG. 14



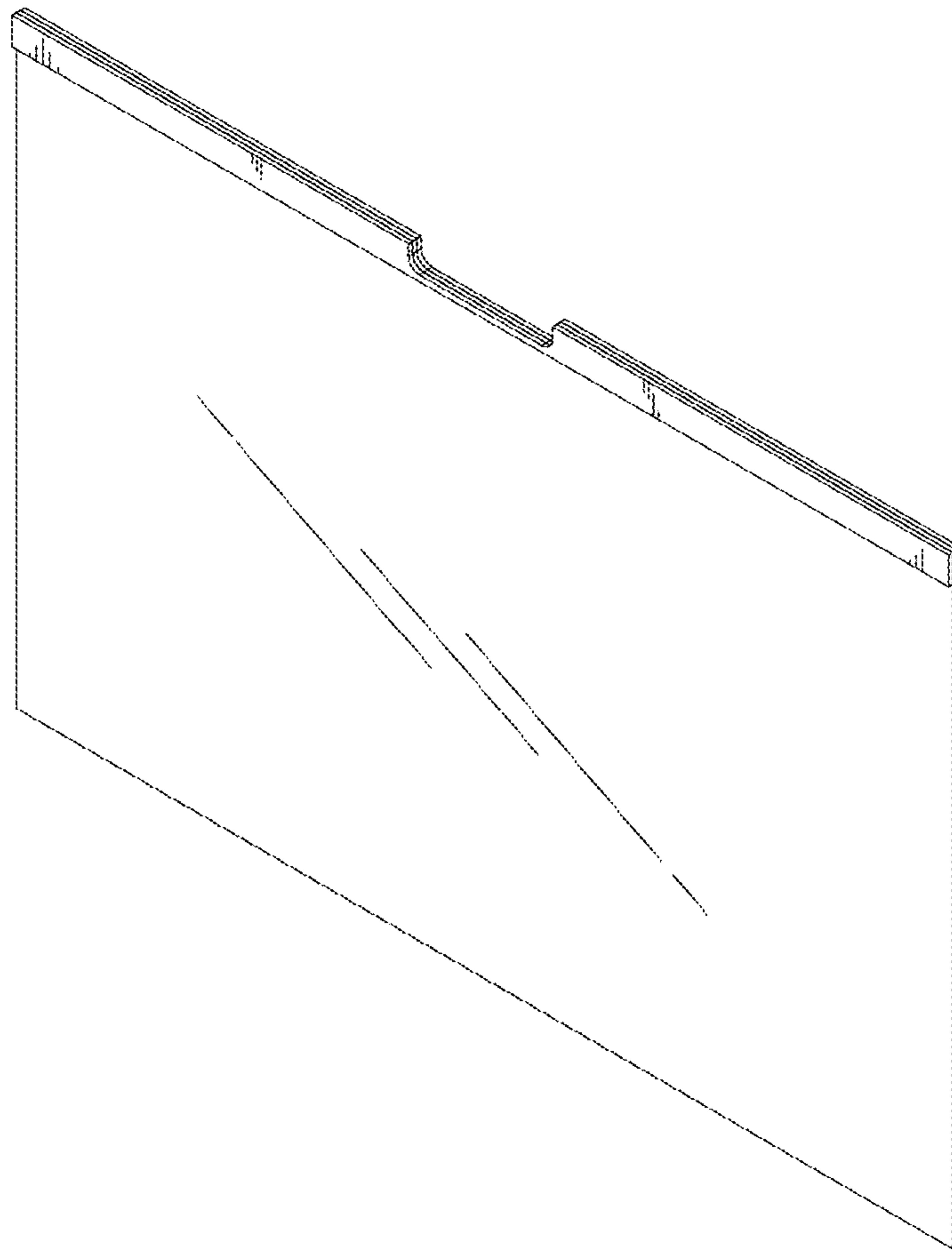


FIG. 15

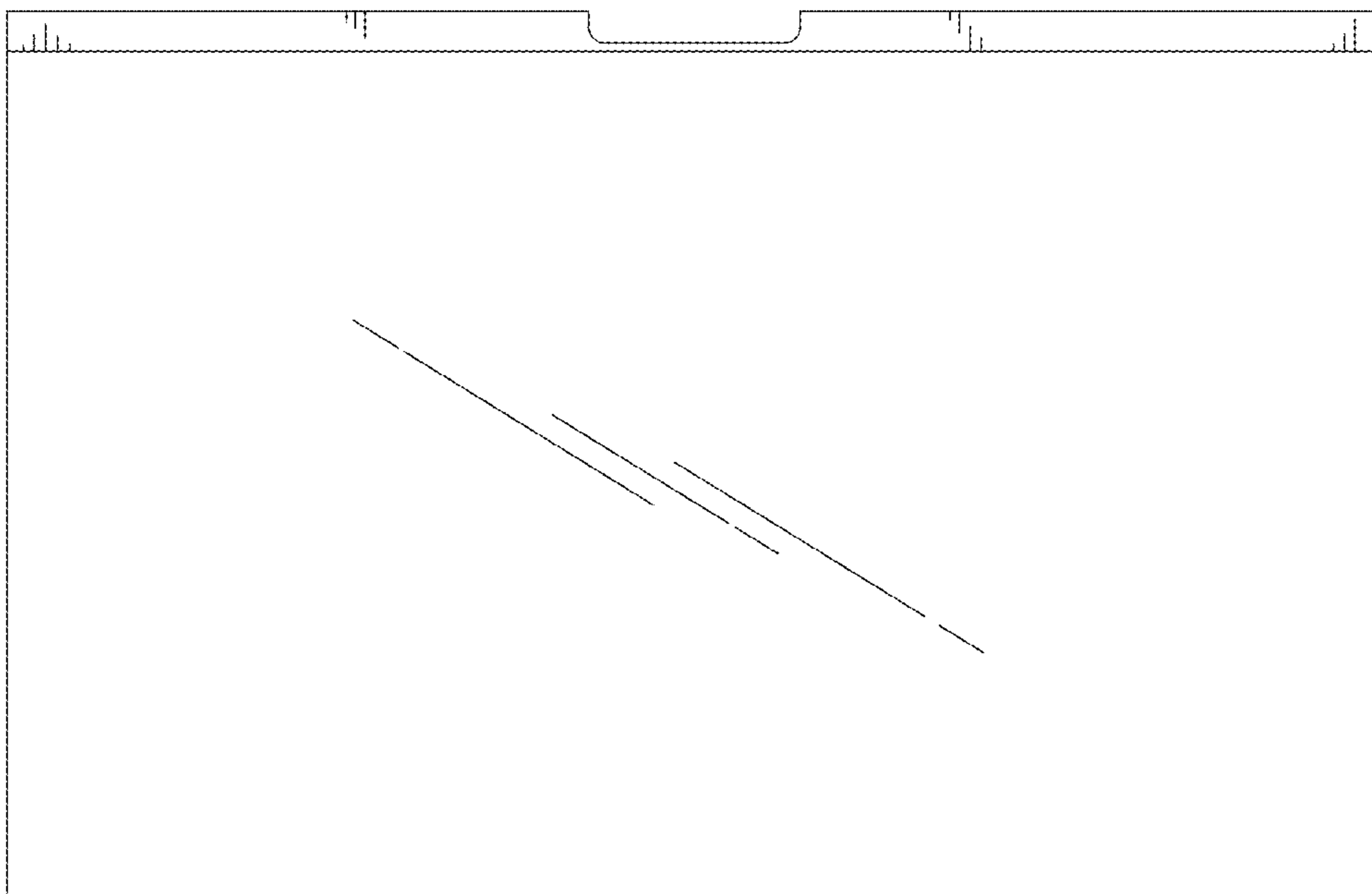


FIG. 16

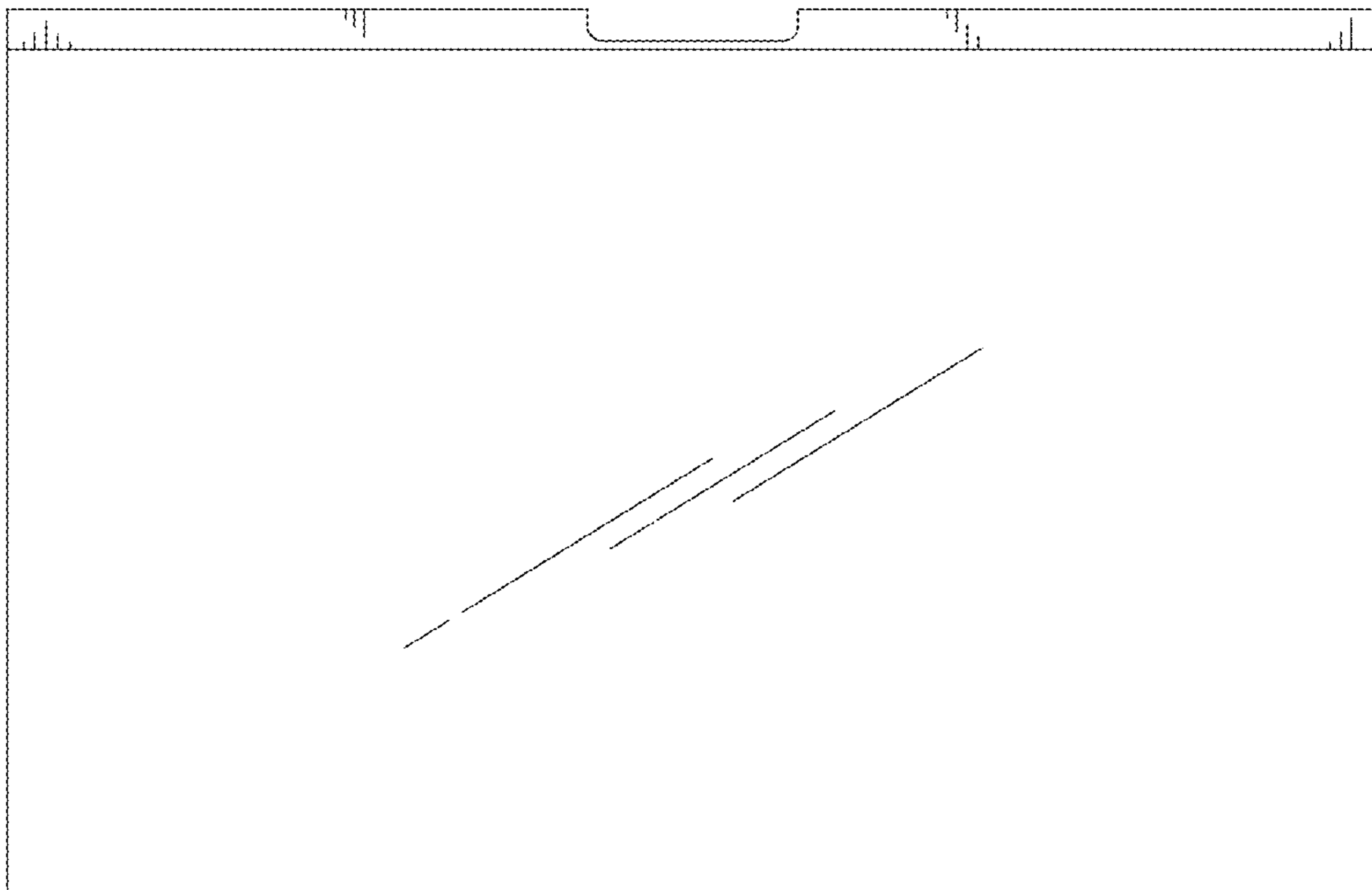


FIG. 17



FIG. 18

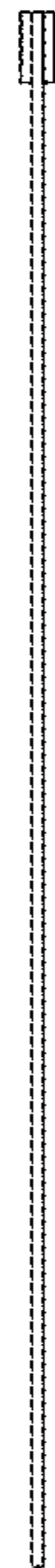


FIG. 19

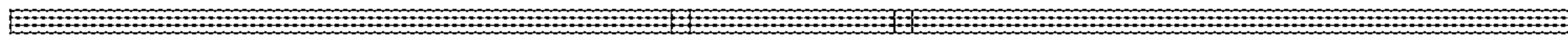


FIG. 20

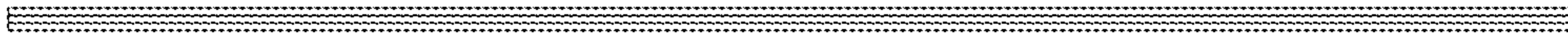


FIG. 21