



US00D973669S

(12) **United States Design Patent**
Piper

(10) **Patent No.:** **US D973,669 S**

(45) **Date of Patent:** **** Dec. 27, 2022**

(54) **STAND PORTION FOR PORTABLE
ELECTRONIC COMPUTING DEVICE CASE**

(71) Applicant: **Pioneer Square Brands, Inc.**, Seattle,
WA (US)

(72) Inventor: **Brian Lewis Piper**, Seattle, WA (US)

(73) Assignee: **Pioneer Square Brands, Inc.**, McLean,
WA (US)

(**) Term: **15 Years**

(21) Appl. No.: **29/807,851**

(22) Filed: **Sep. 15, 2021**

(51) **LOC (13) Cl.** **14-03**

(52) **U.S. Cl.**
USPC **D14/447**

(58) **Field of Classification Search**
USPC D14/251–253, 258, 440, 447
CPC H04M 1/04; F16M 13/00; F16M 11/22
See application file for complete search history.

(56) **References Cited**

U.S. PATENT DOCUMENTS

D279,185 S *	6/1985	Felix	D14/251
D334,573 S *	4/1993	Limberg	D14/258
D349,696 S *	8/1994	Hames	D14/447
D579,455 S *	10/2008	Chu	D14/447
RE42,054 E *	1/2011	Park	D14/447
D637,600 S *	5/2011	Leyva-Menendez	D14/447
D676,451 S *	2/2013	Stanek	D14/447
D687,441 S *	8/2013	Janzen	D14/447
D691,144 S	10/2013	Peters et al.		
D696,671 S *	12/2013	Carnevali	D14/447
D729,223 S *	5/2015	Haarburger	D14/253
D737,276 S	8/2015	Armstrong et al.		
9,249,922 B2 *	2/2016	Haarburger	A47B 23/042
D752,597 S *	3/2016	Girault	D14/447
D756,365 S *	5/2016	Huang	D14/447

D763,855 S	8/2016	Poon et al.		
D765,085 S	8/2016	Moore		
D795,266 S *	8/2017	Williams	D14/447
D802,596 S *	11/2017	Hannon	D14/440
D803,222 S	11/2017	Cheng		
D808,973 S	1/2018	Chen		
D831,659 S	10/2018	Gao		
D850,451 S	6/2019	Chen		
D850,456 S *	6/2019	Armstrong	D14/440
10,368,622 B1 *	8/2019	Eckert	A45C 11/00
D868,789 S	12/2019	Weng		
D868,790 S	12/2019	Weng		
D872,070 S	1/2020	Fenton et al.		
D872,093 S	1/2020	Xu		
D874,454 S *	2/2020	Lederer	D14/251
D878,350 S *	3/2020	Stagge	D14/253

(Continued)

FOREIGN PATENT DOCUMENTS

CN	104100811 A *	10/2014	F16M 11/041
CN	107465788 A *	12/2017	H04M 1/04

Primary Examiner — John R Yeh

(74) *Attorney, Agent, or Firm* — Grandview Law

(57) **CLAIM**

The ornamental design for a stand portion for portable electronic computing device case, as shown and described.

DESCRIPTION

FIG. 1 is a rear perspective view of a stand portion for portable electronic computing device case showing my new design.

FIG. 2 is a front perspective view thereof.

FIG. 3 is a rear elevational view thereof.

FIG. 4 is a front elevational view thereof.

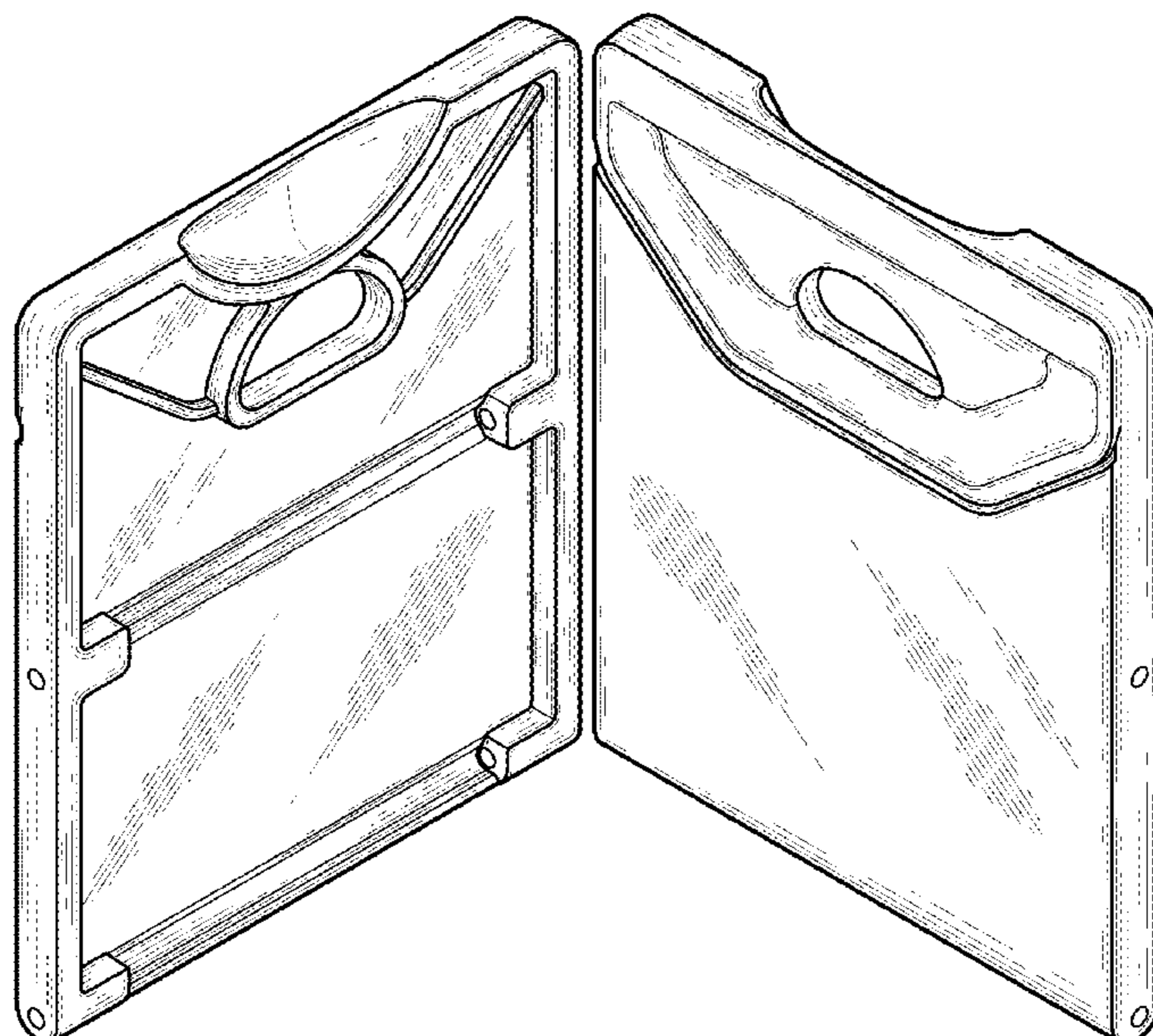
FIG. 5 is a right elevational view thereof.

FIG. 6 is a left elevational view thereof.

FIG. 7 is a top plan view thereof; and,

FIG. 8 is a bottom plan view thereof.

1 Claim, 3 Drawing Sheets



(56)

References Cited

U.S. PATENT DOCUMENTS

D881,895	S	4/2020	Liu	
10,609,995	B2	4/2020	Chan et al.	
D883,987	S	5/2020	Cheng	
10,698,452	B2	6/2020	Fenton et al.	
10,700,483	B1	6/2020	Piper et al.	
D898,036	S	10/2020	Cheng	
D904,414	S	12/2020	Hyun	
10,849,397	B1	12/2020	Piper et al.	
D907,044	S	1/2021	Cheng	
D923,629	S	6/2021	Ma	
D925,543	S	7/2021	Ma	
D930,653	S	9/2021	Armstrong	
D935,449	S *	11/2021	Huang	D14/253
2015/0119119	A1 *	4/2015	Brzana	H04B 1/3877 455/575.9
2022/0057853	A1 *	2/2022	Liu	G06F 1/3246

* cited by examiner

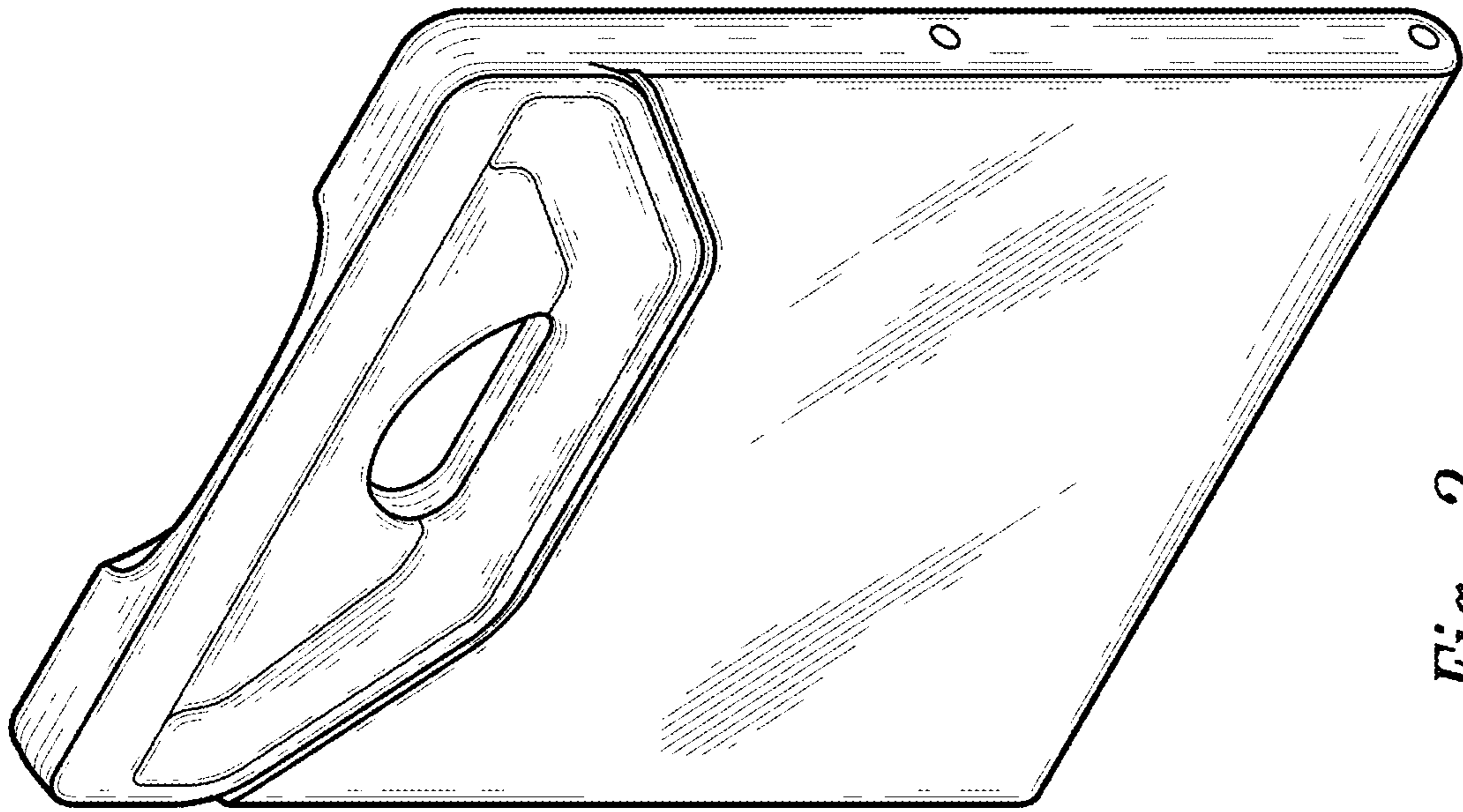


Fig. 2

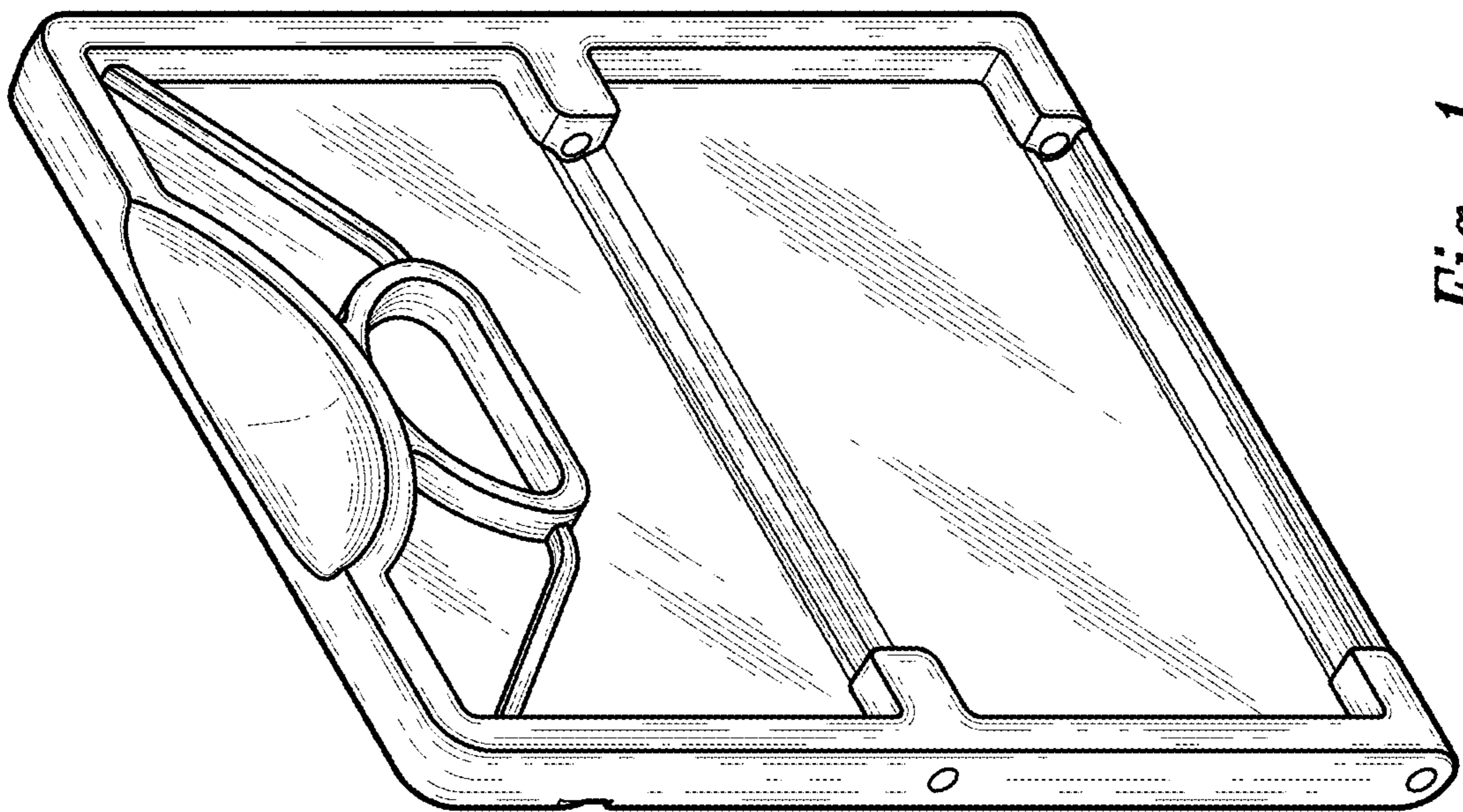


Fig. 1

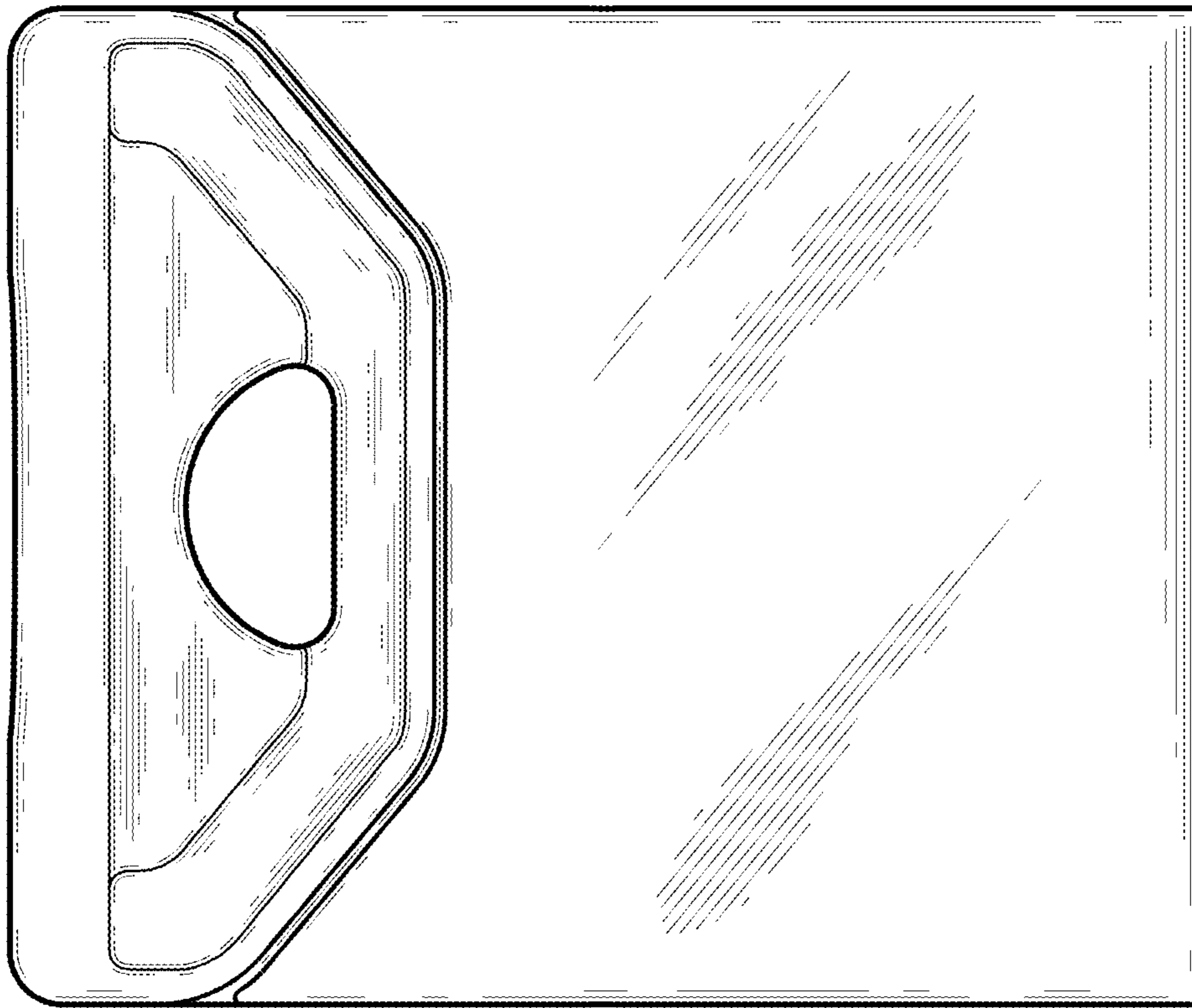


Fig. 4

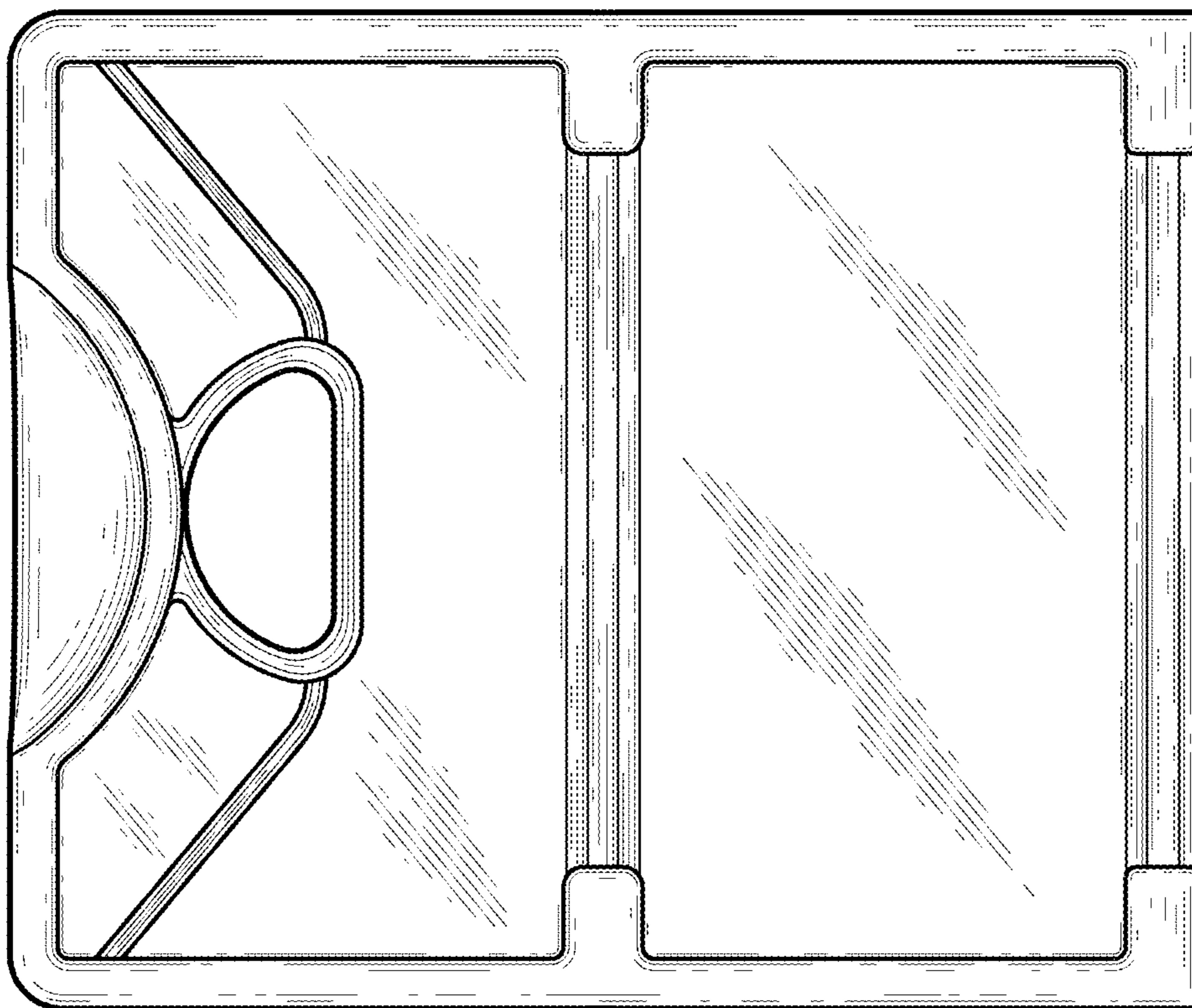


Fig. 3

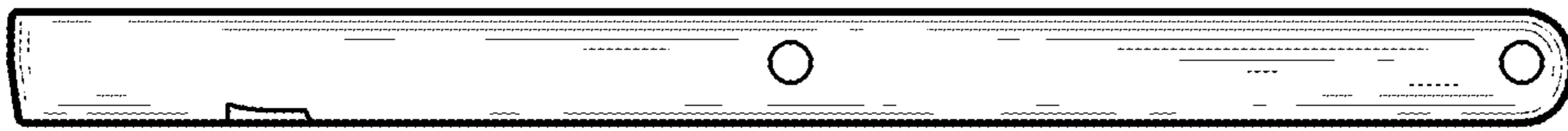


Fig. 5



Fig. 6



Fig. 7

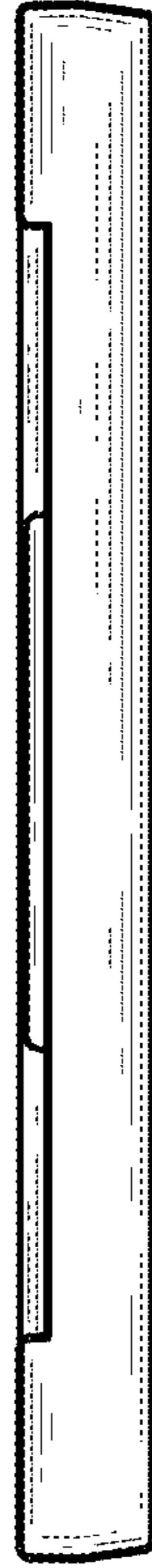


Fig. 8