



US00D973667S

(12) **United States Design Patent**  
**Ma**

(10) **Patent No.:** **US D973,667 S**

(45) **Date of Patent:** **\*\* Dec. 27, 2022**

(54) **PROTECTIVE CASE FOR TABLET**

(71) Applicant: **GUANGZHOU XIANGHONG ELECTRONIC TECHNOLOGY CO., LTD.**, Guangzhou (CN)

(72) Inventor: **Ruoqiong Ma**, Shantou (CN)

(73) Assignee: **Guangzhou Xianghong Electronic Technology Co., Ltd.**, Guangzhou (CN)

(\*\*) Term: **15 Years**

(21) Appl. No.: **29/766,679**

(22) Filed: **Jan. 18, 2021**

(51) **LOC (13) Cl.** ..... **14-02**

(52) **U.S. Cl.**  
USPC ..... **D14/440**

(58) **Field of Classification Search**  
USPC ..... D14/315, 318, 324, 328, 341, 344, 345, D14/389, 392, 440, 444, 445, 446, 250; D19/26, 62; D3/247, 290, 299, 206  
CPC ..... A45C 2011/002; A45C 2011/003; A45C 2200/15; A45F 2200/0516; A45F 2200/525; G06F 1/1628; G06F 1/1632; G06F 1/1669; G06F 2200/1633; H04B 1/3888; H04M 1/185  
See application file for complete search history.

(56) **References Cited**

**U.S. PATENT DOCUMENTS**

D701,211 S *	3/2014	Ng	.....	D14/440
8,820,525 B1 *	9/2014	Zanxiang	.....	F16M 11/10 206/45.24
D837,219 S *	1/2019	Gao	.....	D14/440
D851,648 S *	6/2019	Tan	.....	D14/440
D851,649 S *	6/2019	Tan	.....	D14/440
D906,338 S *	12/2020	Hyun	.....	D14/440
D947,197 S *	3/2022	Cheng	.....	D14/440
D949,153 S *	4/2022	Chen	.....	D14/440

D957,405 S *	7/2022	Wu	.....	D14/440
D958,795 S *	7/2022	Cheng	.....	D14/440
2011/0285258 A1 *	11/2011	Yuan	.....	G06F 1/1626 312/223.2

**OTHER PUBLICATIONS**

LVSHANG Tablet Case Cover Tablet Case for iPad Pro, posted Nov. 9, 2021 [online], [retrieved Oct. 11, 2022]. Retrieved from internet, <https://www.amazon.com/LVSHANG-Silicone-Shockproof-Protective-Kickstand/dp/B09Q2QKY8X?th=1> (Year: 2021).\*

\* cited by examiner

*Primary Examiner* — Marie D. Fast Horse

*Assistant Examiner* — Josiah D. Parsons

(74) *Attorney, Agent, or Firm* — Nitin Kaushik

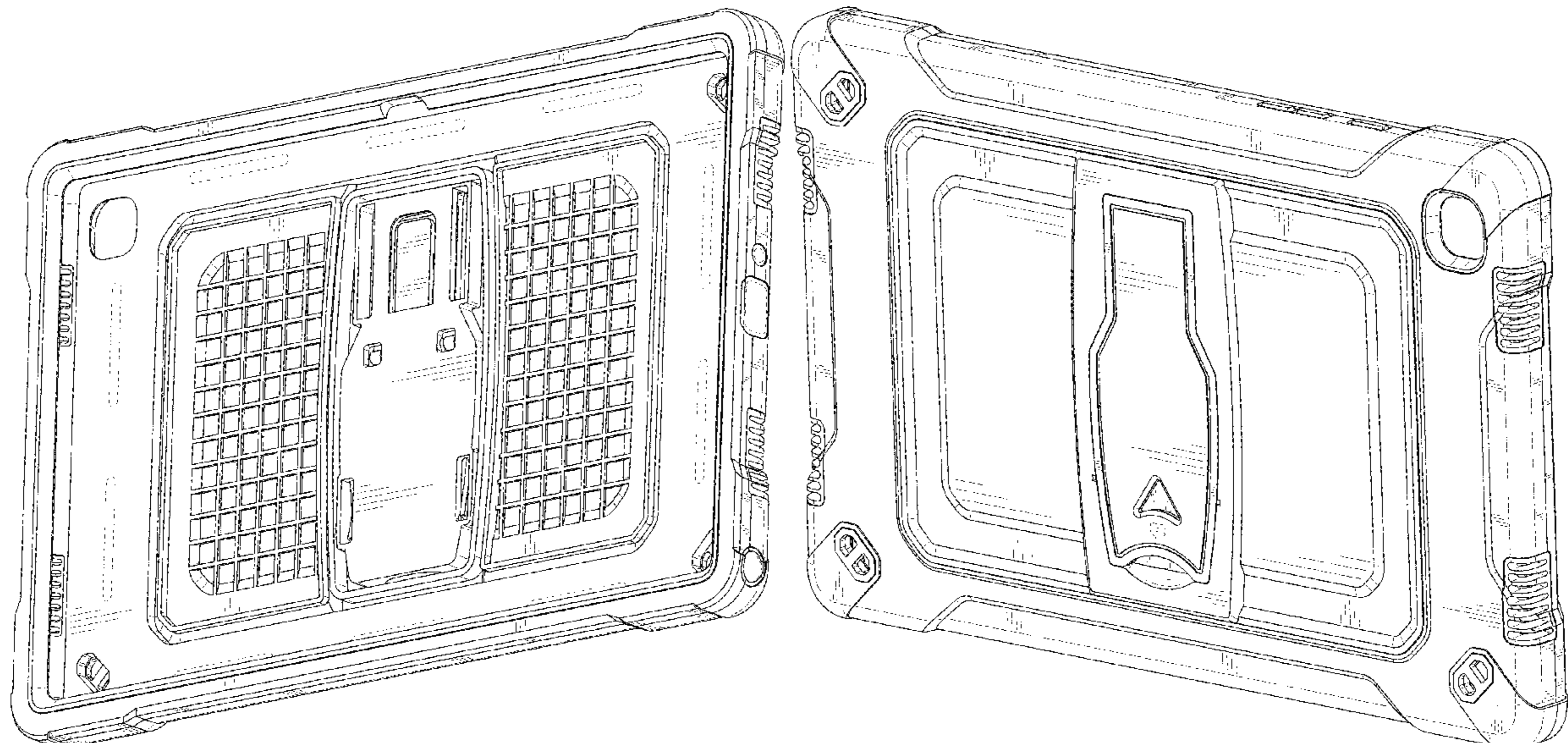
(57) **CLAIM**

The ornamental design for a protective case for tablet, as shown and described.

**DESCRIPTION**

FIG. 1 is a perspective view of a protective case for tablet showing my new design;  
FIG. 2 is another perspective view thereof;  
FIG. 3 is a front elevational view thereof;  
FIG. 4 is a rear elevational view thereof;  
FIG. 5 is a left side elevational view thereof;  
FIG. 6 is a right side elevational view thereof;  
FIG. 7 is a top plan view thereof;  
FIG. 8 is a bottom plan view thereof; and,  
FIG. 9 is a perspective view of the protective case for tablet where the protective case for tablet is in a configuration of use.  
The broken lines in the drawings depict portions of the protective case for tablet that form no part of the claimed design.

**1 Claim, 9 Drawing Sheets**



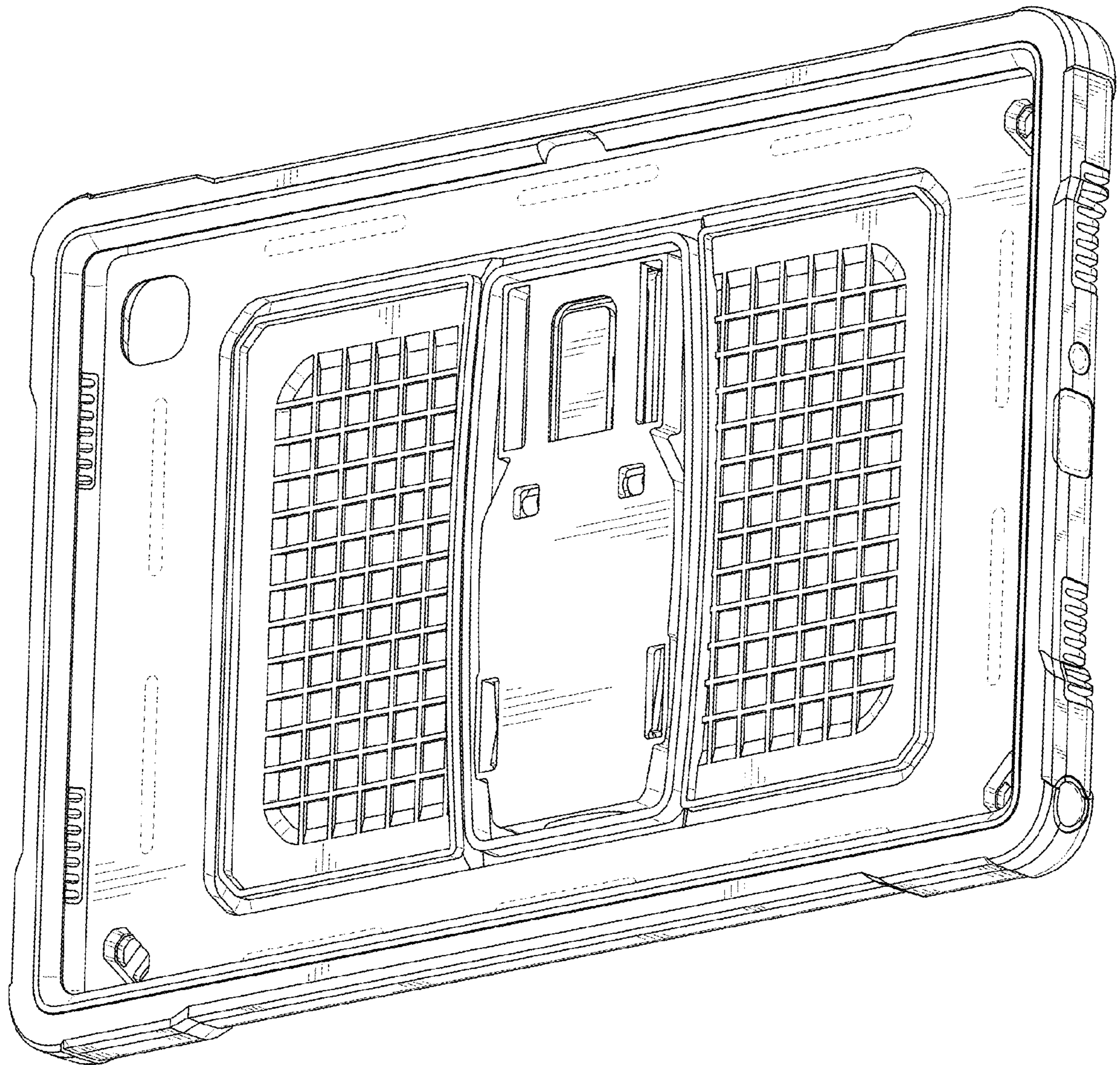


FIG. 1



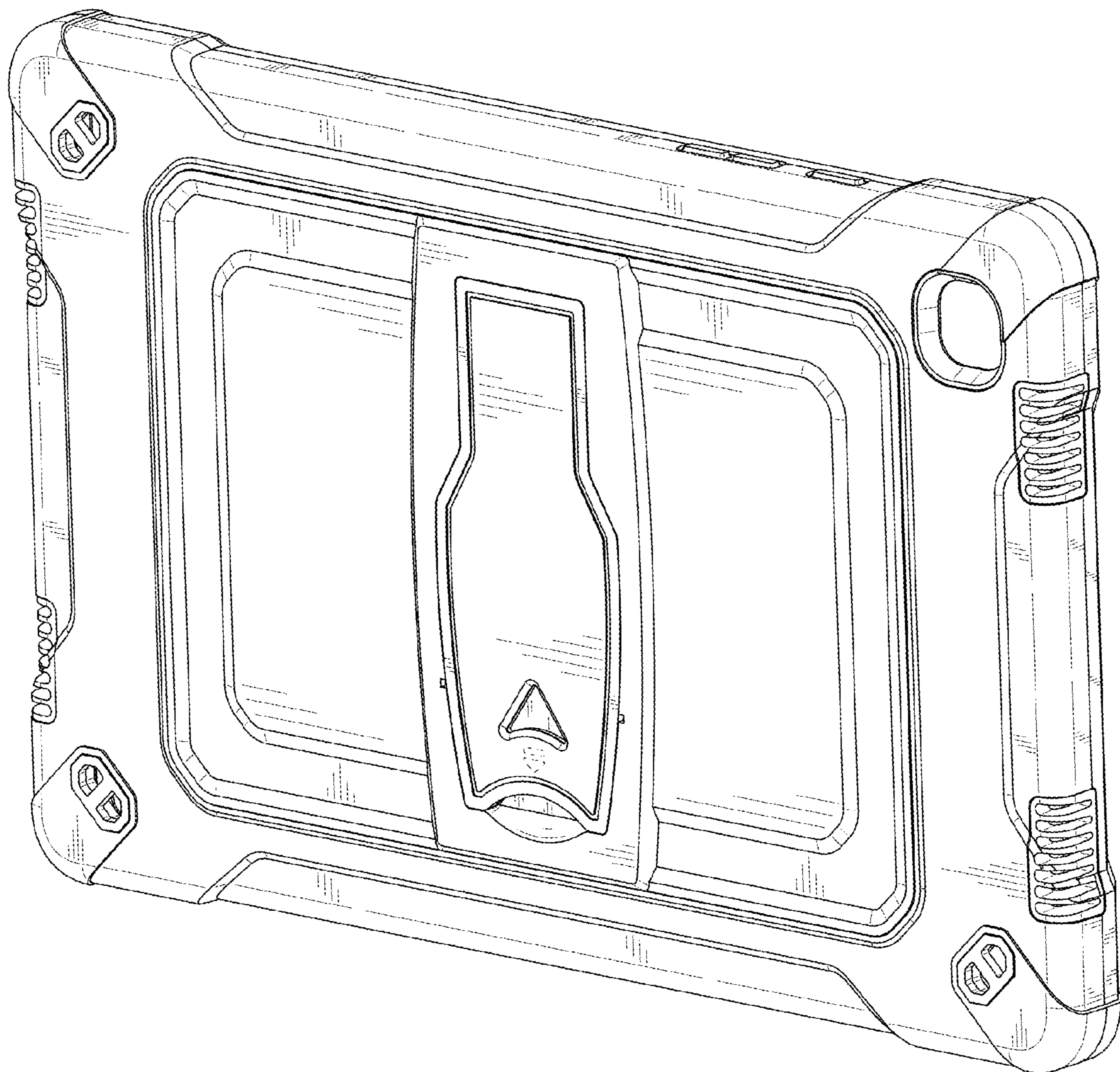


FIG. 2

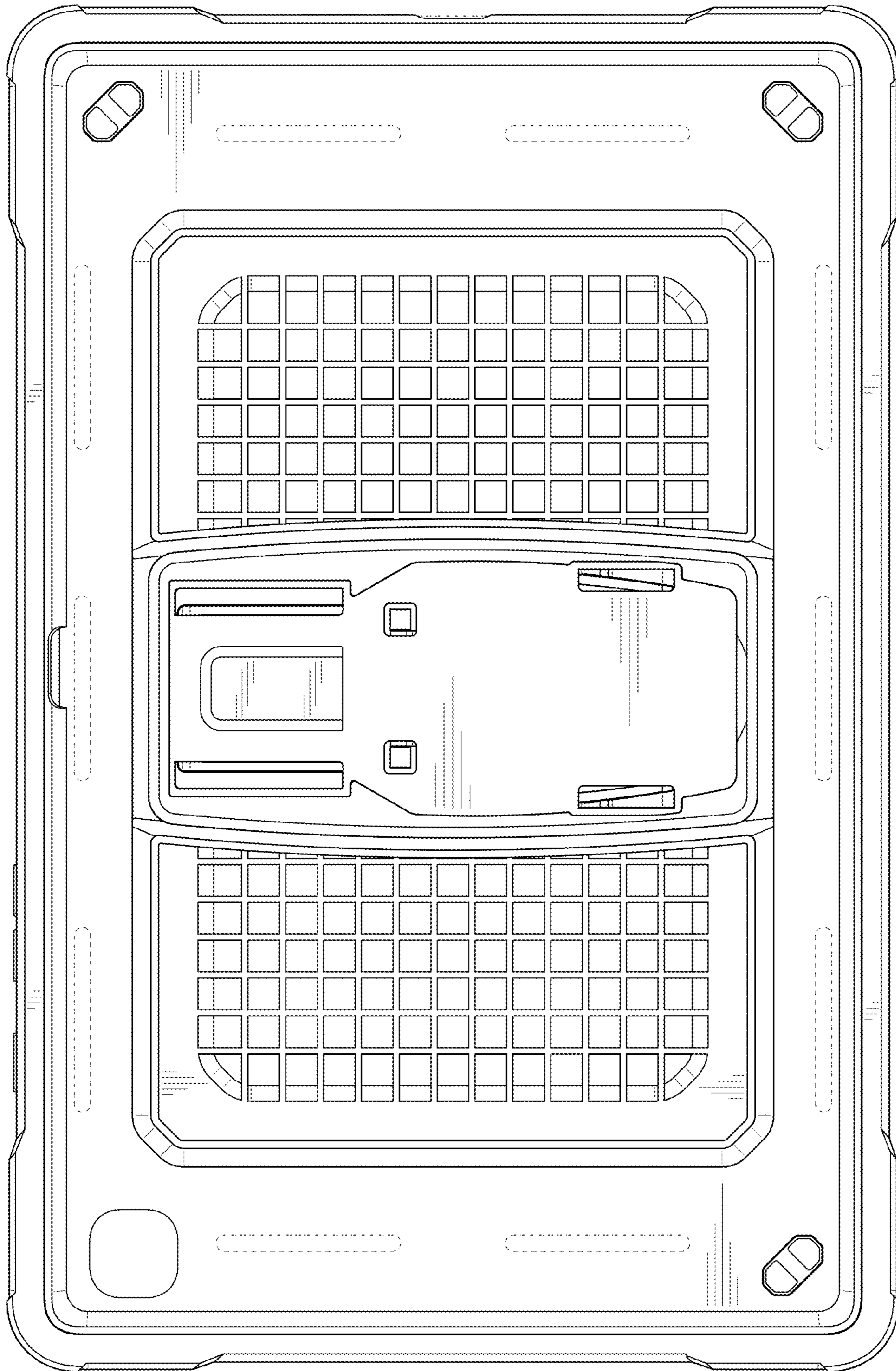


FIG. 3

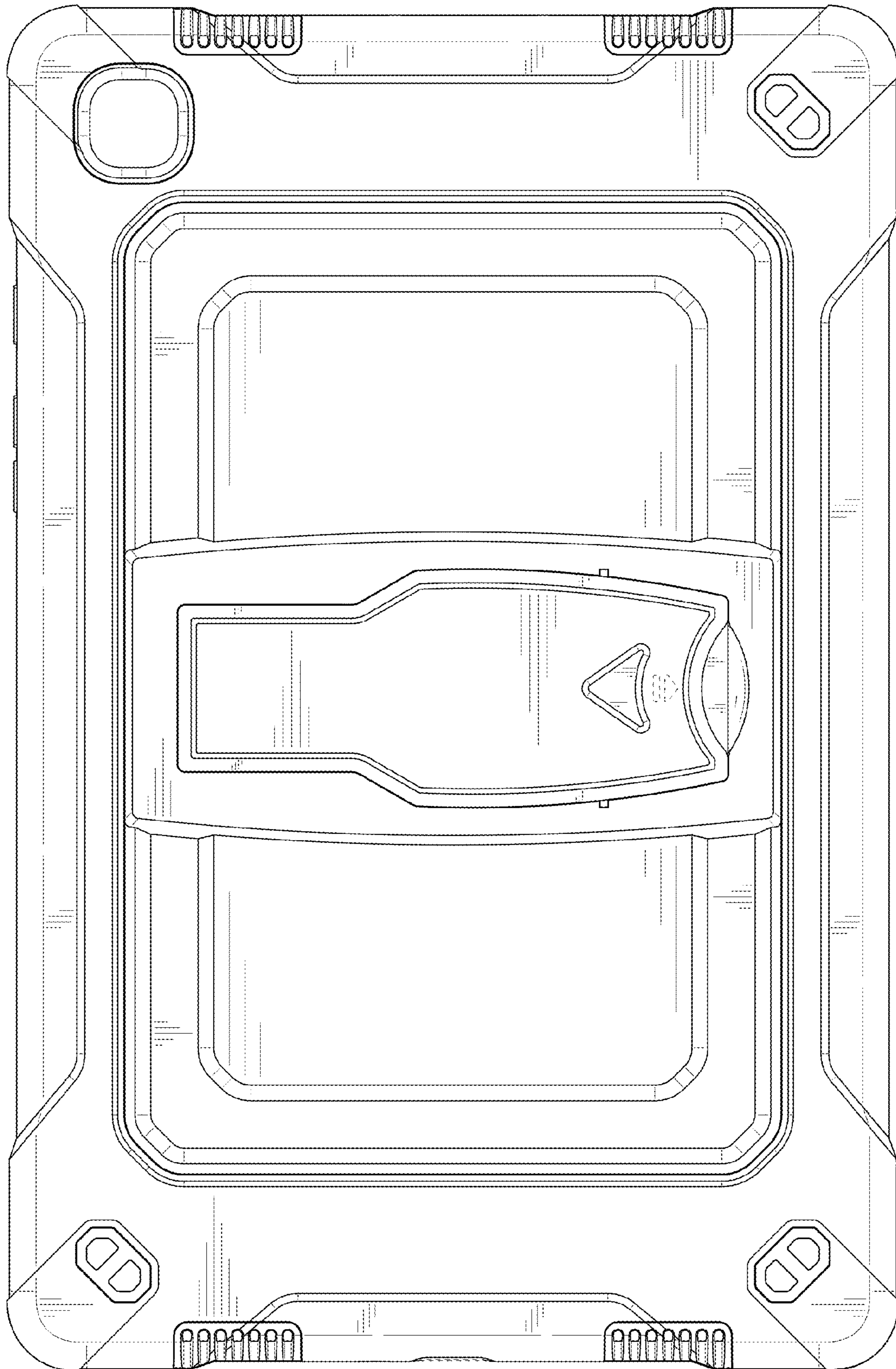


FIG. 4



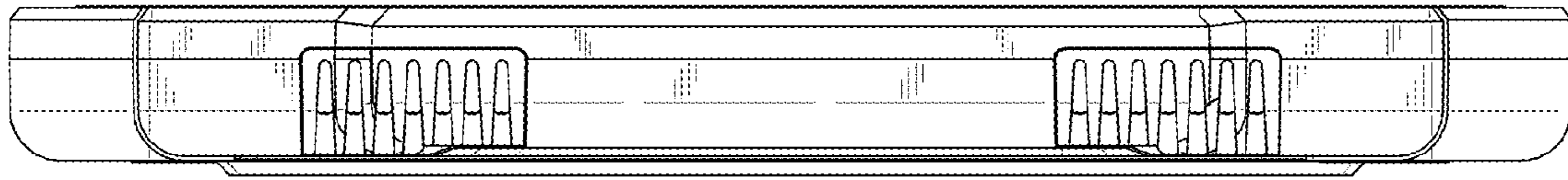


FIG. 5

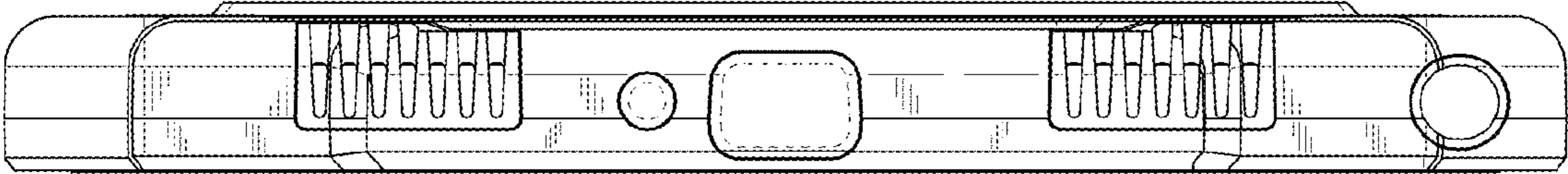


FIG. 6

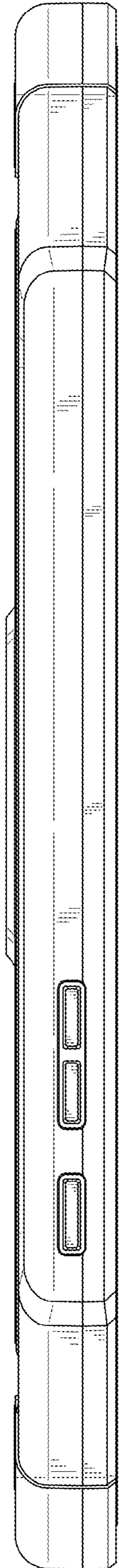


FIG. 7



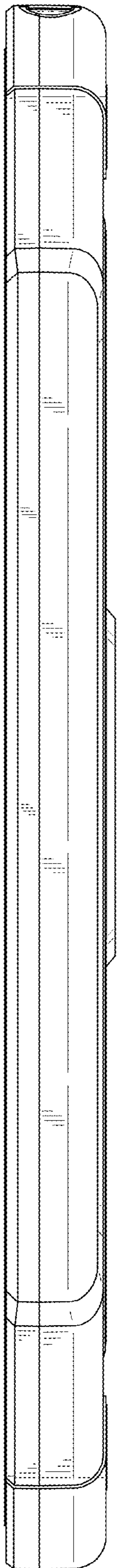


FIG. 8

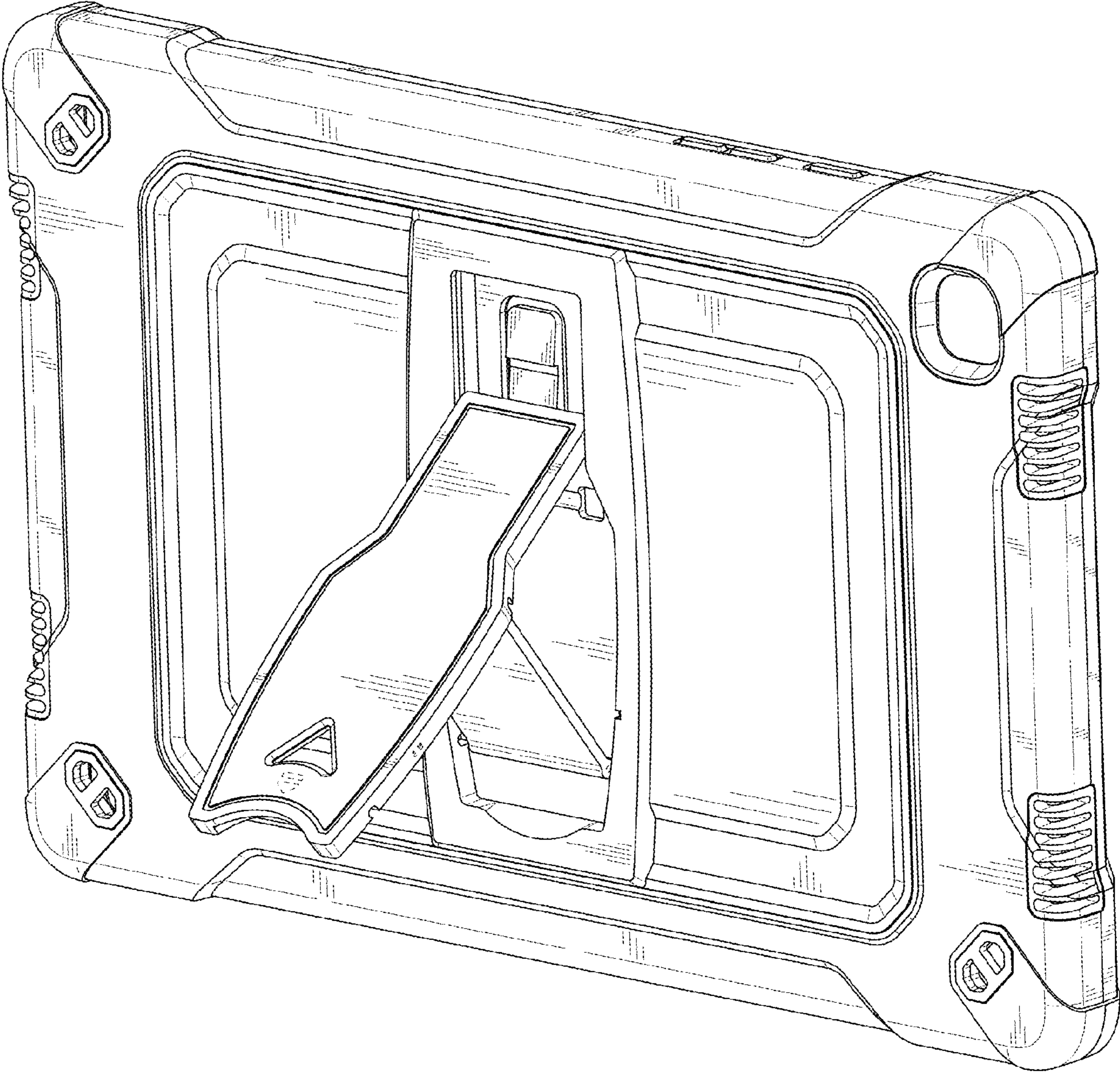


FIG. 9