



US00D973666S

(12) **United States Design Patent** (10) **Patent No.:** **US D973,666 S**
Ma (45) **Date of Patent:** **** Dec. 27, 2022**

(54) **PROTECTIVE CASE FOR TABLET**

D937,275 S * 11/2021 Cheng D14/440
D963,654 S * 9/2022 Yan D14/440
2011/0267748 A1* 11/2011 Lane A45F 5/00
361/679.01

(71) Applicant: **GUANGZHOU XIANGHONG ELECTRONIC TECHNOLOGY CO., LTD.**, Guangzhou (CN)

(72) Inventor: **Ruoqiong Ma**, Shantou (CN)

(73) Assignee: **GUANGZHOU XIANGHONG ELECTRONIC TECHNOLOGY CO., LTD.**, Guangzhou (CN)

(**) Term: **15 Years**

(21) Appl. No.: **29/766,677**

(22) Filed: **Jan. 18, 2021**

(51) **LOC (13) Cl.** **14-02**

(52) **U.S. Cl.**
USPC **D14/440; D14/444**

(58) **Field of Classification Search**
USPC D14/315, 318, 324, 328, 341, 344, 345,
D14/389, 392, 440, 444, 445, 446, 250;
D19/26, 62; D3/247, 290, 299, 206
CPC A45C 2011/002; A45C 2011/003; A45C
2200/15; A45F 2200/0516; A45F
2200/525; G06F 1/1628; G06F 1/1632;
G06F 1/1669; G06F 2200/1633; H04B
1/3888; H04M 1/185

See application file for complete search history.

(56) **References Cited**

U.S. PATENT DOCUMENTS

D747,321 S * 1/2016 London D14/440
D803,222 S * 11/2017 Cheng D14/440
D868,788 S * 12/2019 Weng D14/440
D902,216 S * 11/2020 Xu D14/440
D920,337 S * 5/2021 Chan D14/440
D920,983 S * 6/2021 Chan D14/440
D930,002 S * 9/2021 Zhou D14/440

OTHER PUBLICATIONS

Kids Case for Lenovo Tab M8 2020, posted Jun. 20, 2022 [online], [retrieved Oct. 11, 2022]. Retrieved from internet, <https://www.amazon.com/Lenovo-Shoulder-Shockproof-Portable-Rotating/dp/B0B4JSD3GH?th=1> (Year: 2022).*

(Continued)

Primary Examiner — Marie D. Fast Horse

Assistant Examiner — Josiah D. Parsons

(74) *Attorney, Agent, or Firm* — Nitin Kaushik

(57) **CLAIM**

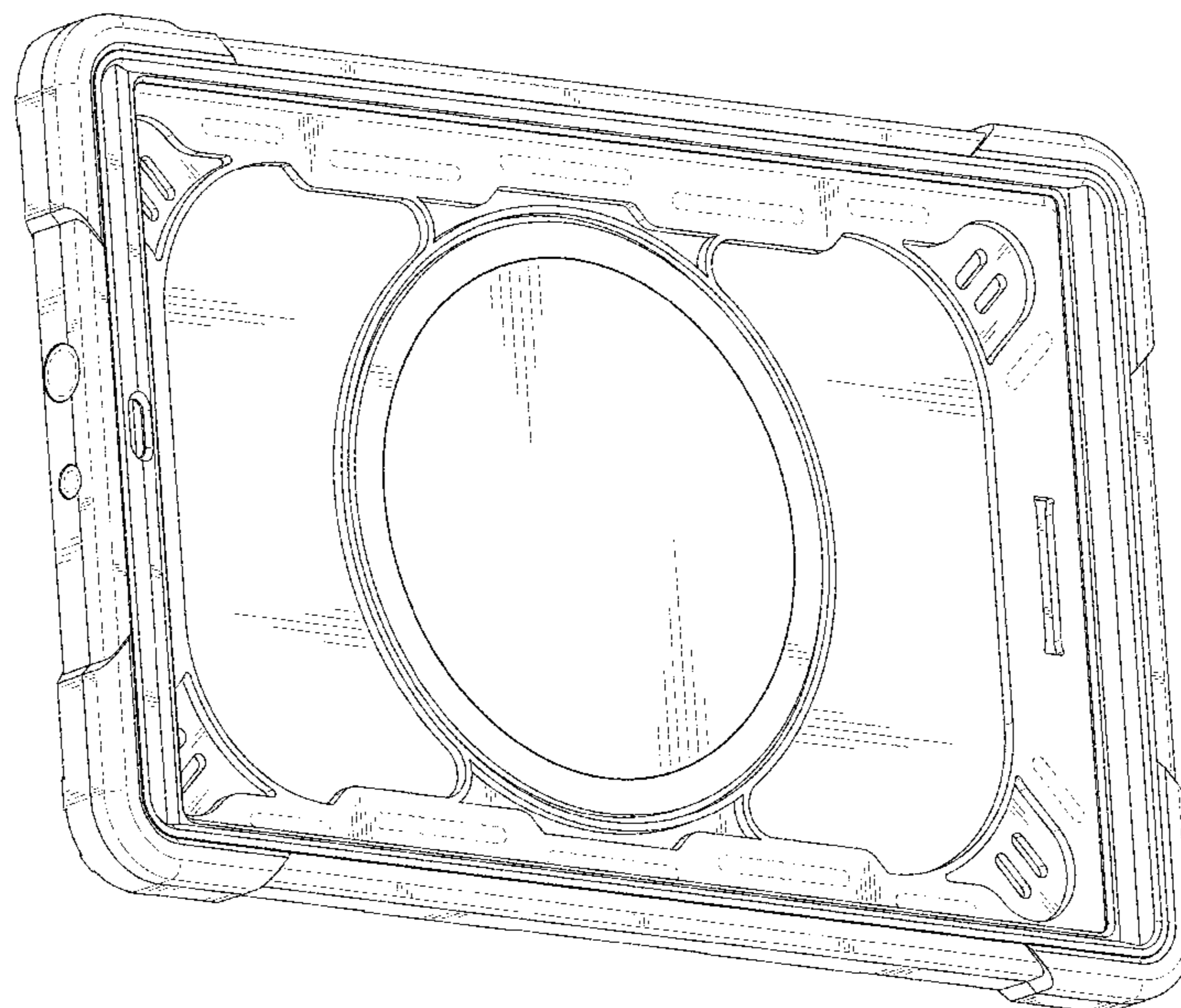
The ornamental design for a protective case for tablet, as shown and described.

DESCRIPTION

FIG. 1 is a perspective view of a protective case for tablet showing my new design;
FIG. 2 is another perspective view thereof;
FIG. 3 is a front elevational view thereof;
FIG. 4 is a rear elevational view thereof;
FIG. 5 is a left side elevational view thereof;
FIG. 6 is a right side elevational view thereof;
FIG. 7 is a top plan view thereof;
FIG. 8 is a bottom plan view thereof; and,
FIG. 9 is a perspective view of the protective case for tablet where the protective case for tablet is in a configuration of use.

The broken lines in the drawings depict portions of the protective case for tablet that form no part of the claimed design.

1 Claim, 9 Drawing Sheets



(56)

References Cited

OTHER PUBLICATIONS

Samsung Galaxy Tab A7 Case 2020 SIBEITU, posted Mar. 19, 2021 [online], [retrieved Oct. 11, 2022]. Retrieved from internet, <https://www.amazon.com/Samsung-Galaxy-Tab-Case-SIBEITU/dp/B08X3ZTVQD> (Year: 2021).*

Timecity iPad Air 4th 5th Generation, posted Dec. 20, 2021 [online], [retrieved Oct. 11, 2022]. Retrieved from internet, <https://www.amazon.com/dp/B09NVWT56R?th=1> (Year: 2021).*

* cited by examiner

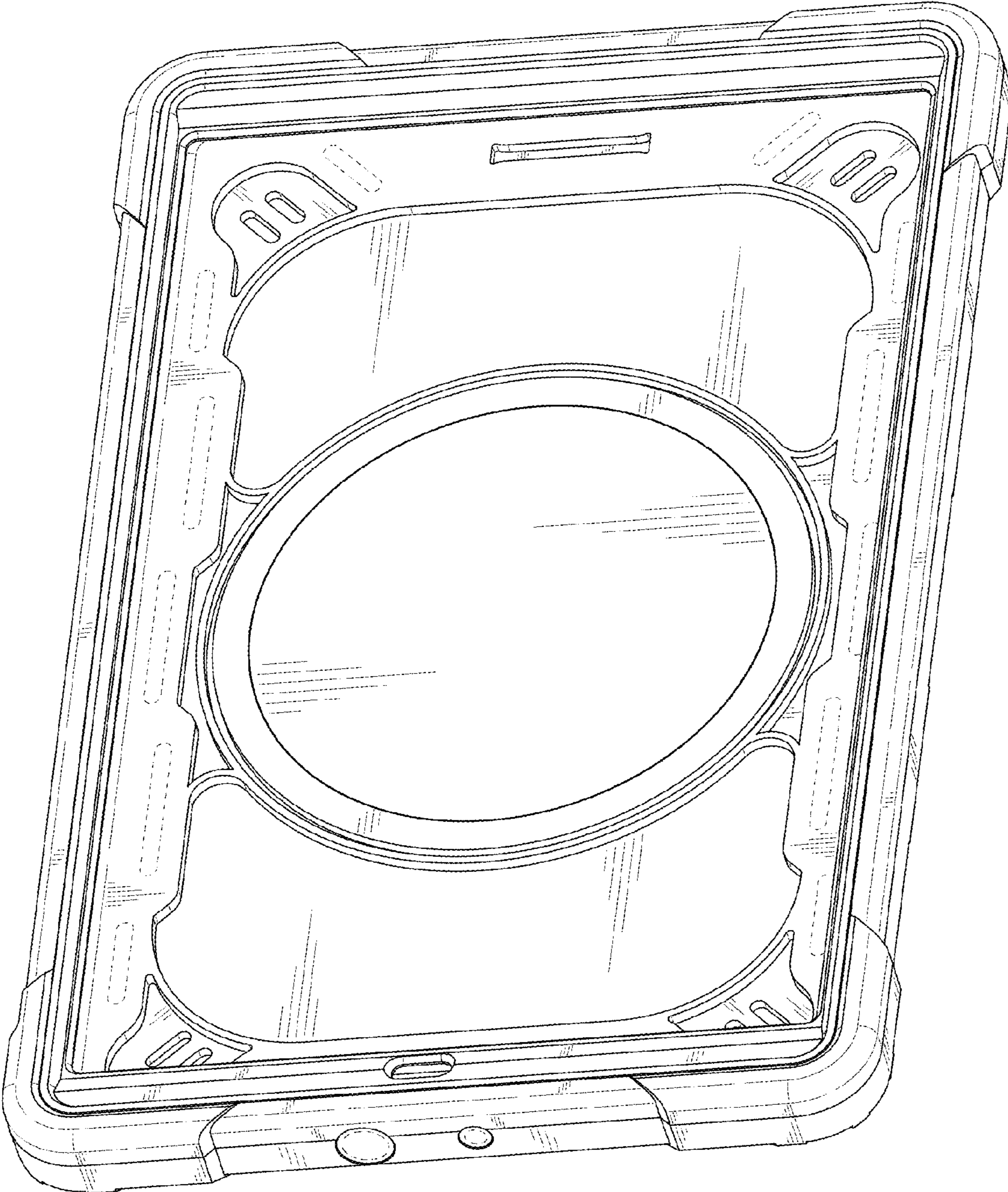


FIG. 1

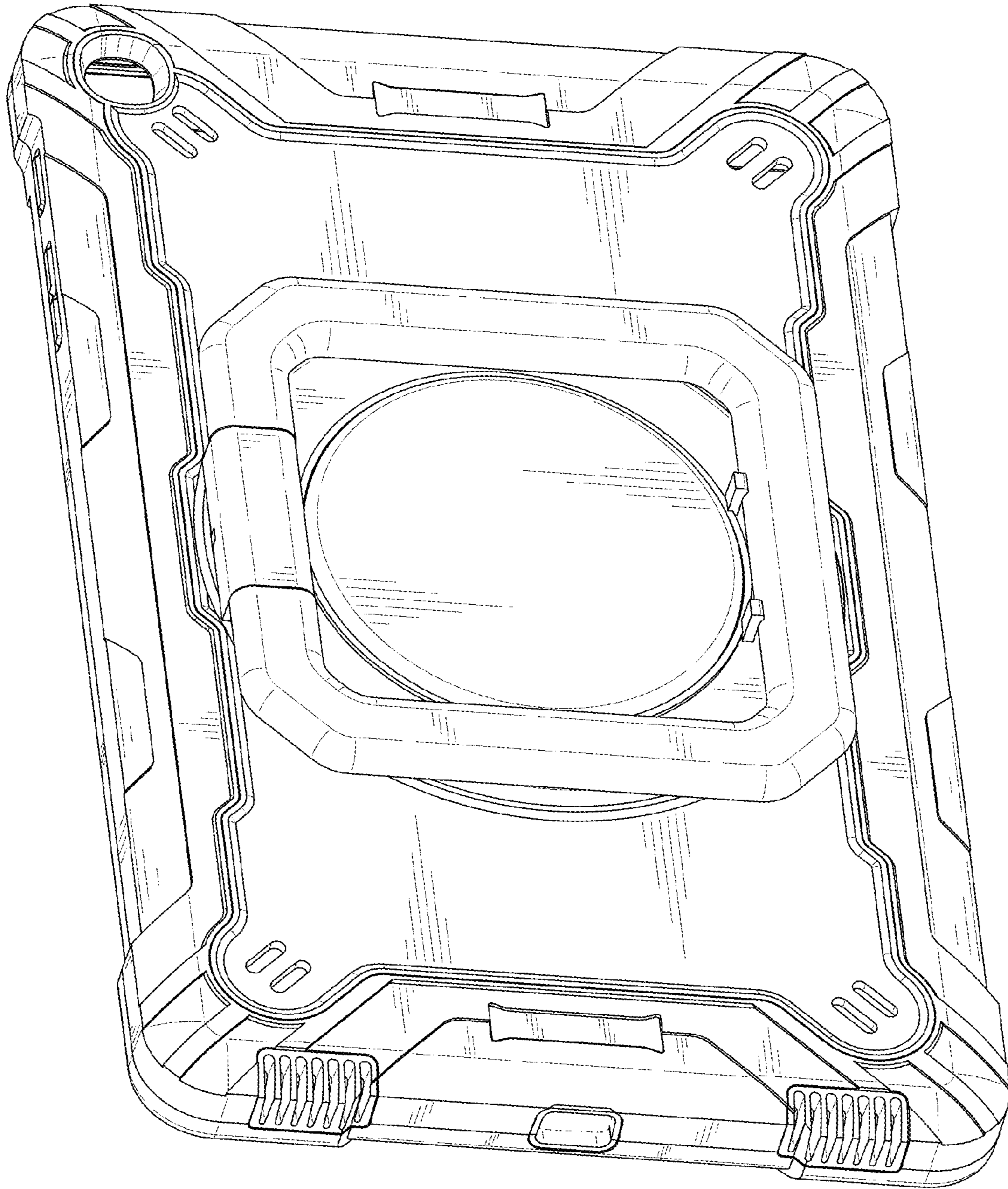


FIG. 2

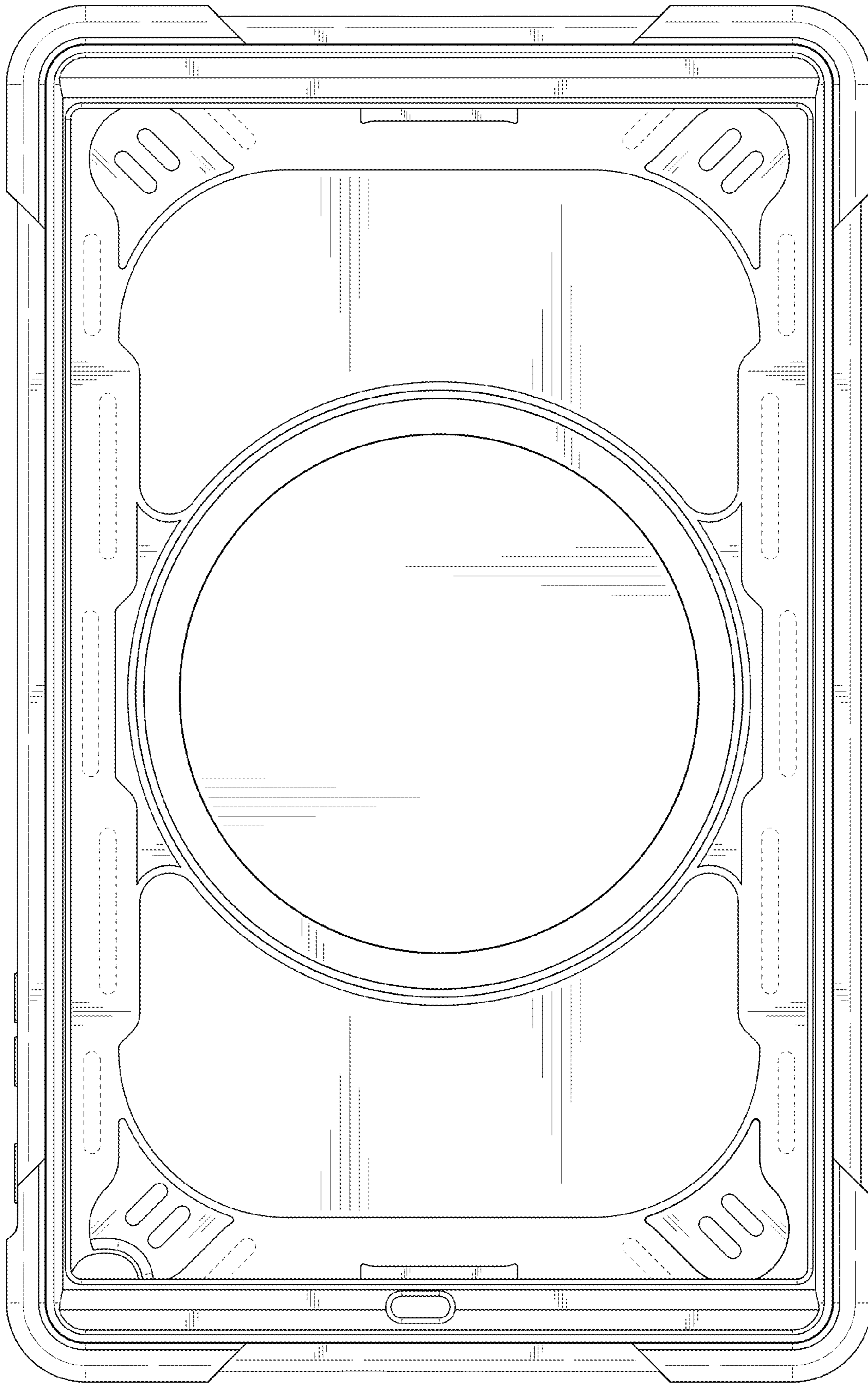


FIG. 3

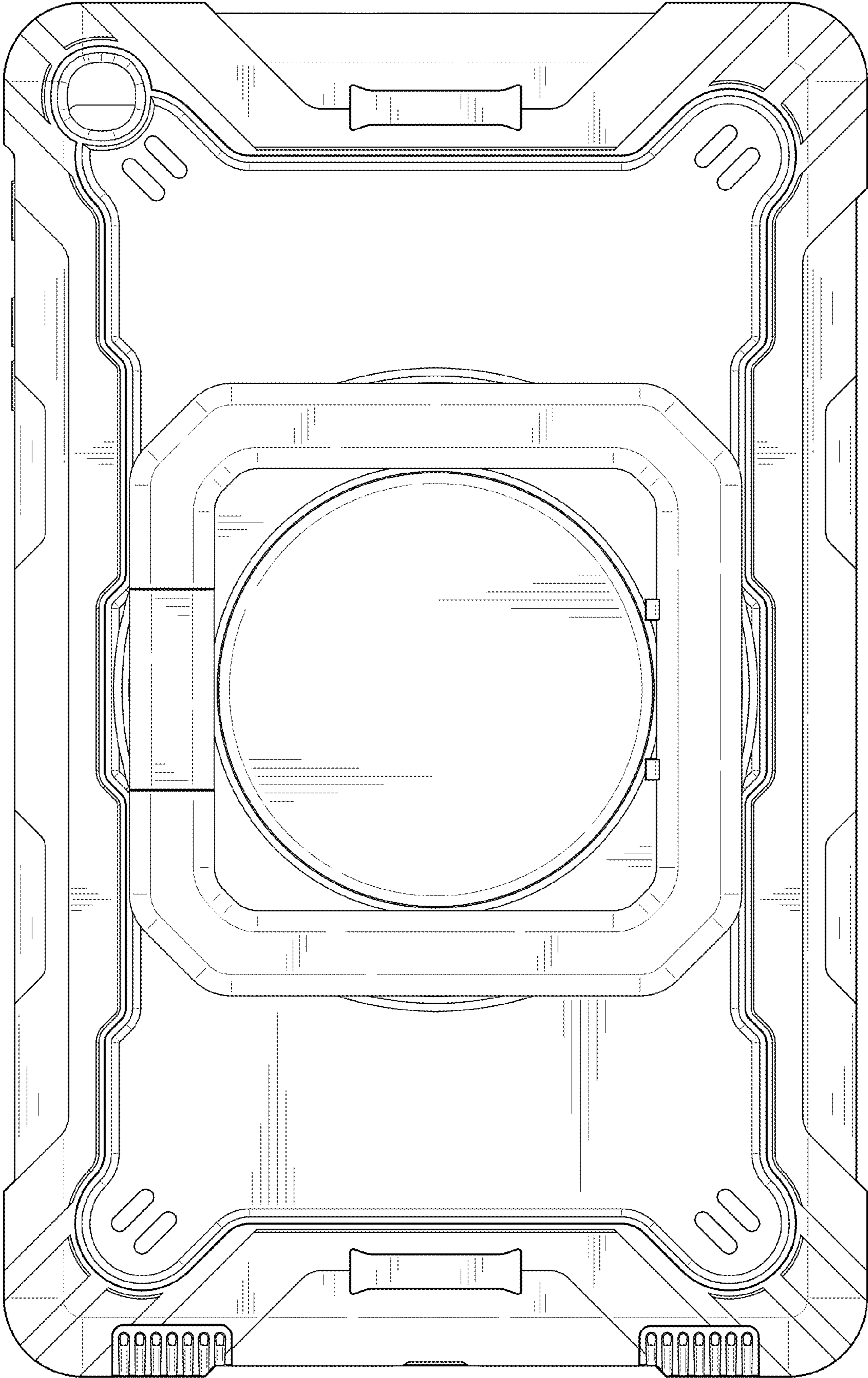


FIG. 4

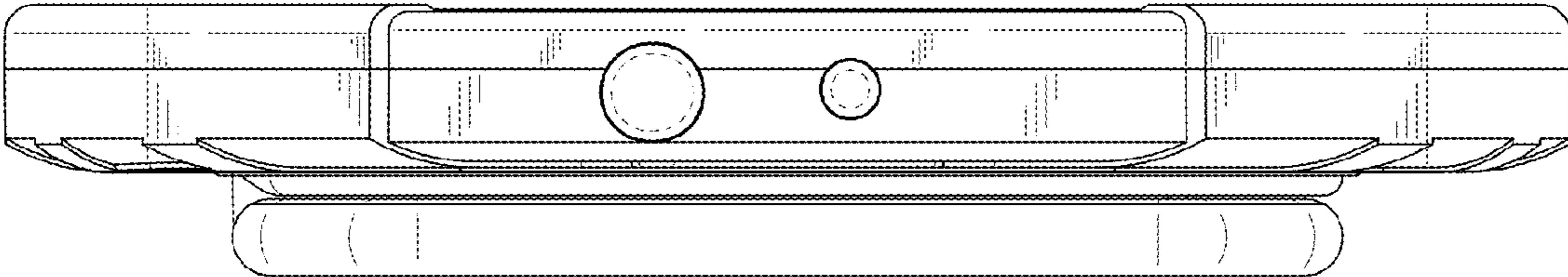


FIG. 5

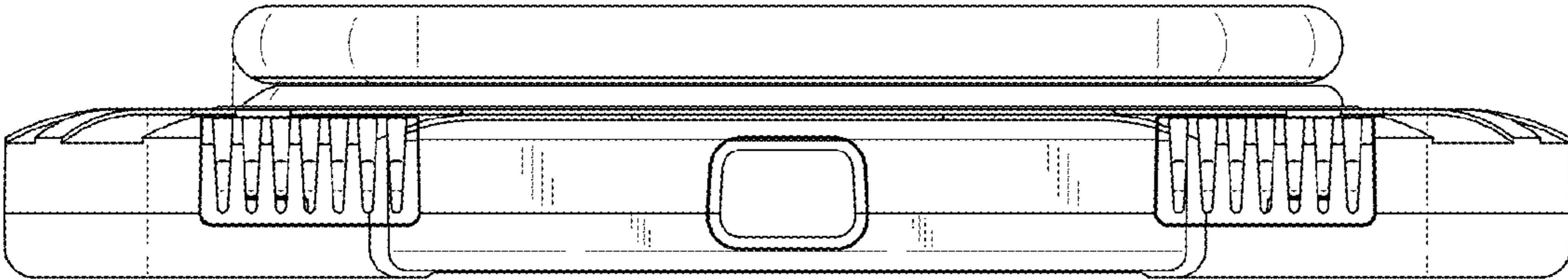


FIG. 6

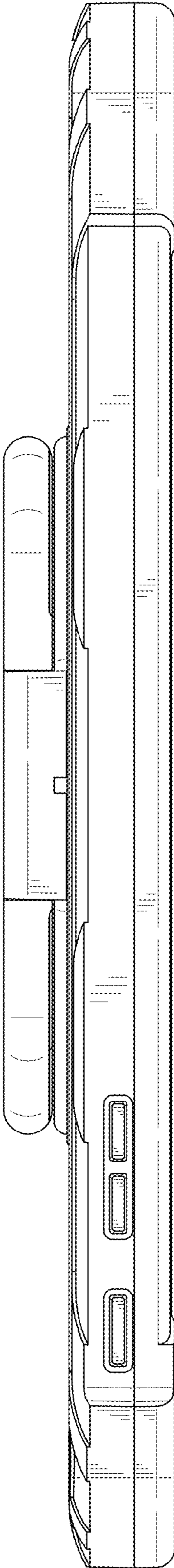


FIG. 7

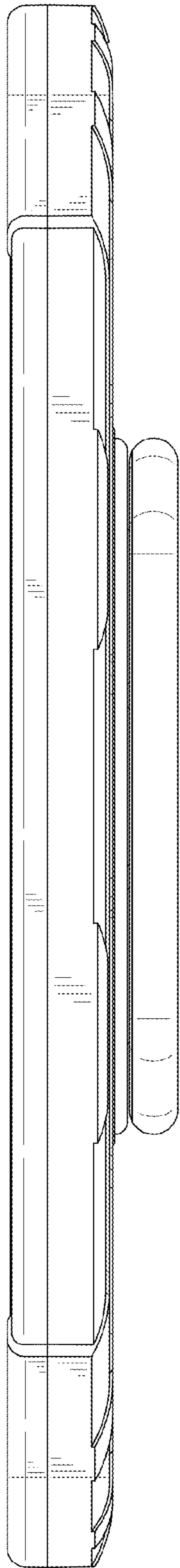


FIG. 8

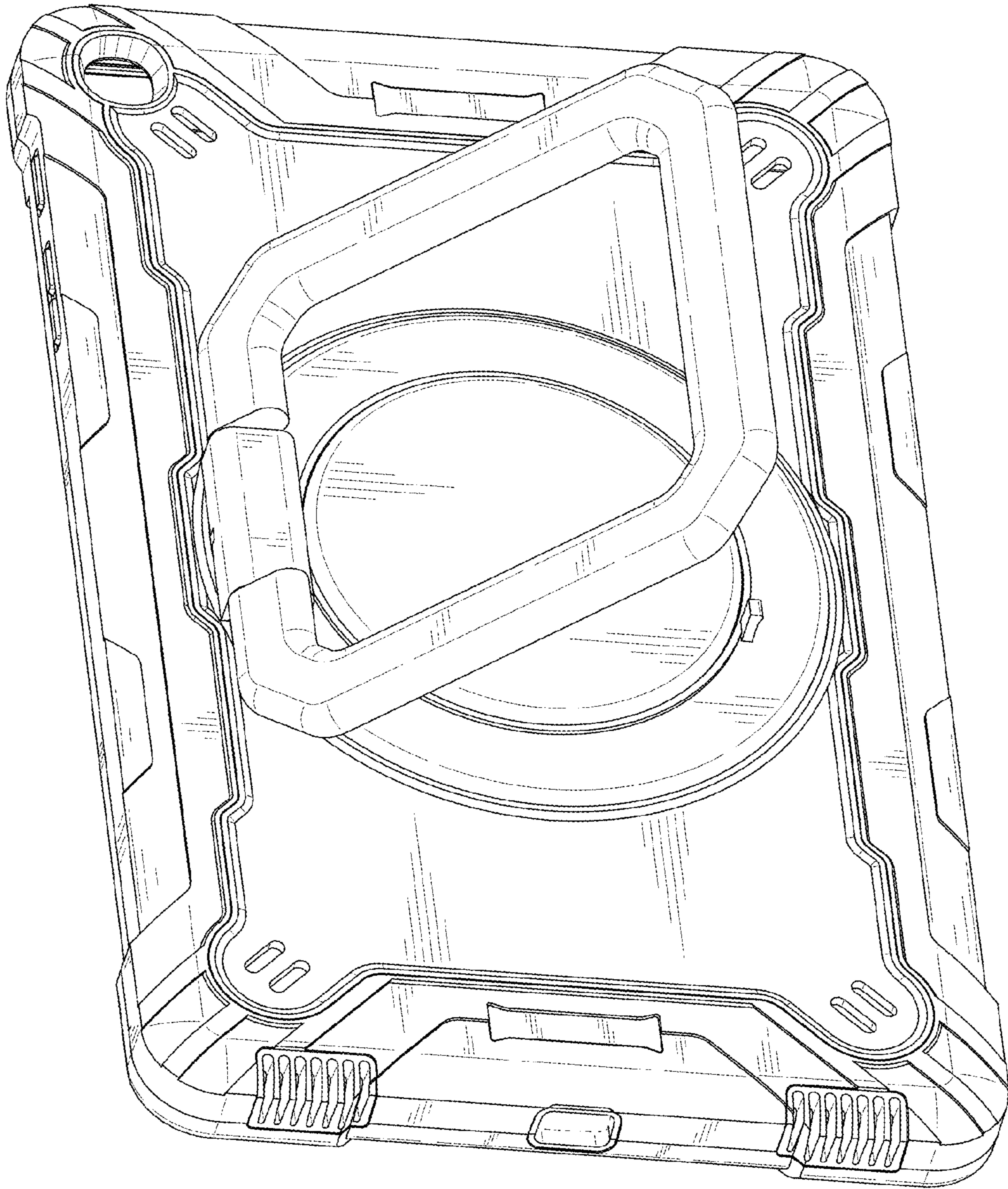


FIG. 9