



US00D973662S

(12) **United States Design Patent** (10) **Patent No.:** **US D973,662 S**
Kim (45) **Date of Patent:** **** Dec. 27, 2022**

(54) **STYLUS FOR TOUCH SCREEN**

(71) Applicant: **Soonil Kim**, Seoul (KR)

(72) Inventor: **Soonil Kim**, Seoul (KR)

(**) Term: **15 Years**

(21) Appl. No.: **35/512,383**

(22) Filed: **Feb. 16, 2021**

(80) **Hague Agreement Data**

Int. Filing Date: **Feb. 16, 2021**

Int. Reg. No.: **DM/215457**

Int. Reg. Date: **Feb. 16, 2021**

Int. Reg. Pub. Date: **Aug. 20, 2021**

(30) **Foreign Application Priority Data**

Sep. 29, 2020 (KR) 30-2020-0047305

(51) **LOC (13) Cl.** **14-02**

(52) **U.S. Cl.**
USPC **D14/411**

(58) **Field of Classification Search**

USPC D14/372, 496, 432, 371, 125, 126, 129,
D14/299, 411; D16/300-342; 351/158,
351/153, 144; 345/7-9, 905; 455/344;
348/115, 53, 121, 739

CPC G02B 27/017; G06F 3/016; G06F 3/033;
G06F 3/0317; G06F 3/03545; G06F
3/041; G06K 9/222

See application file for complete search history.

(56) **References Cited**

U.S. PATENT DOCUMENTS

D487,896 S *	3/2004	Tanner, Jr.	D14/411
D617,797 S *	6/2010	Moon	D14/411
D670,698 S *	11/2012	Åhman	D14/411
D674,795 S *	1/2013	Wilson	D14/411
D679,708 S *	4/2013	Li	D14/411
D709,886 S *	7/2014	Lin	D14/411
D715,298 S *	10/2014	Hong	D14/411
D754,129 S *	4/2016	Kao	D14/411
D762,645 S *	8/2016	Cavallaro	D14/402
D783,615 S *	4/2017	Hong	D14/411
D802,592 S *	11/2017	Varghese	D14/411
D911,343 S *	2/2021	Greene	D14/411
D937,264 S *	11/2021	Bae	D14/411

* cited by examiner

Primary Examiner — Austin Murphy

(57) **CLAIM**

The ornamental design for a stylus for touch screen, as shown and described.

DESCRIPTION

1. Stylus for touch screen

1.1 : Perspective

1.2 : Front

1.3 : Back

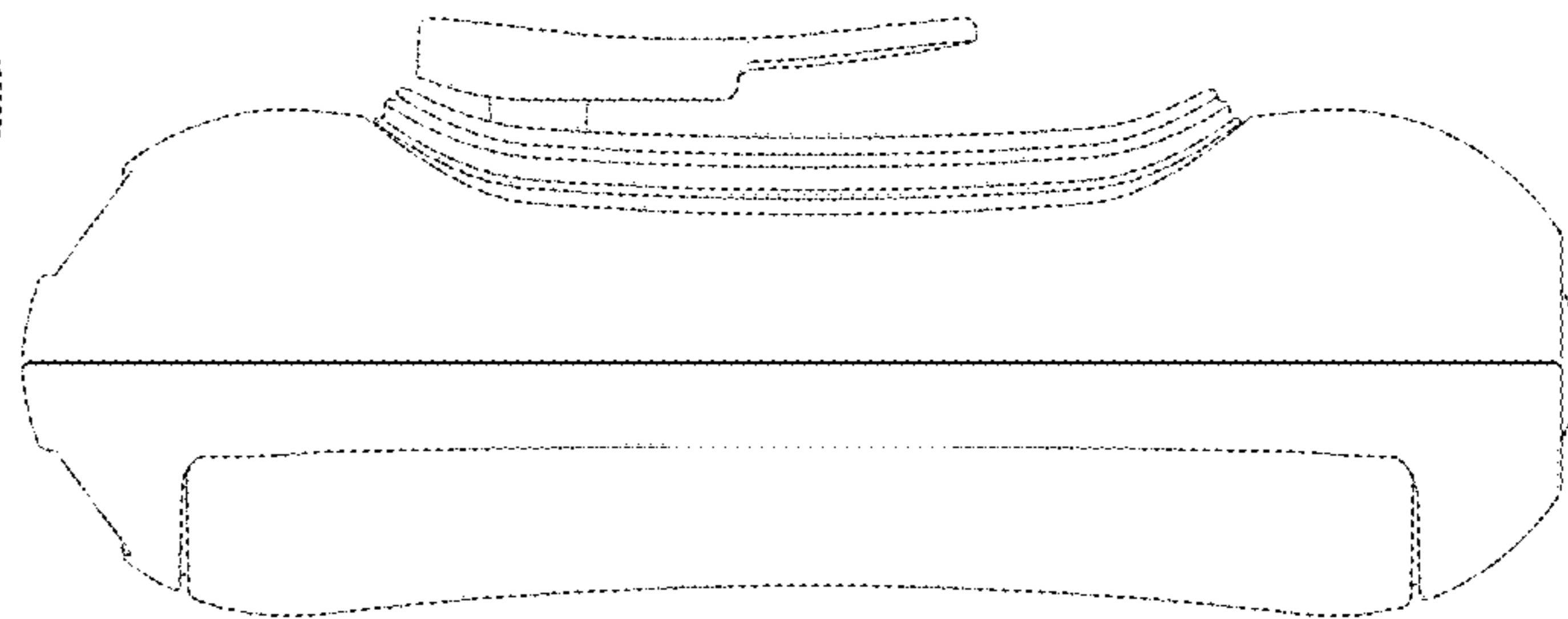
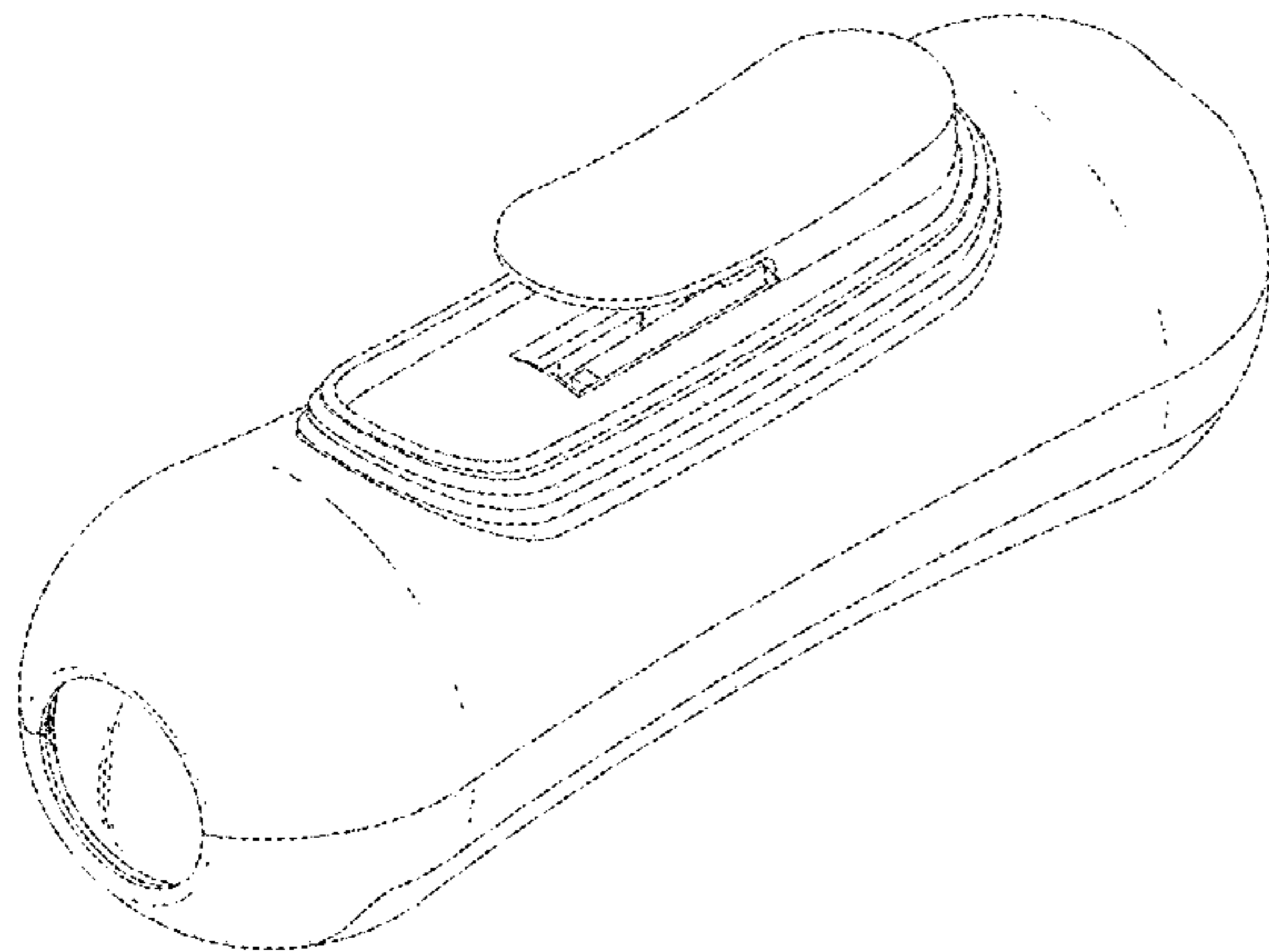
1.4 : Left

1.5 : Right

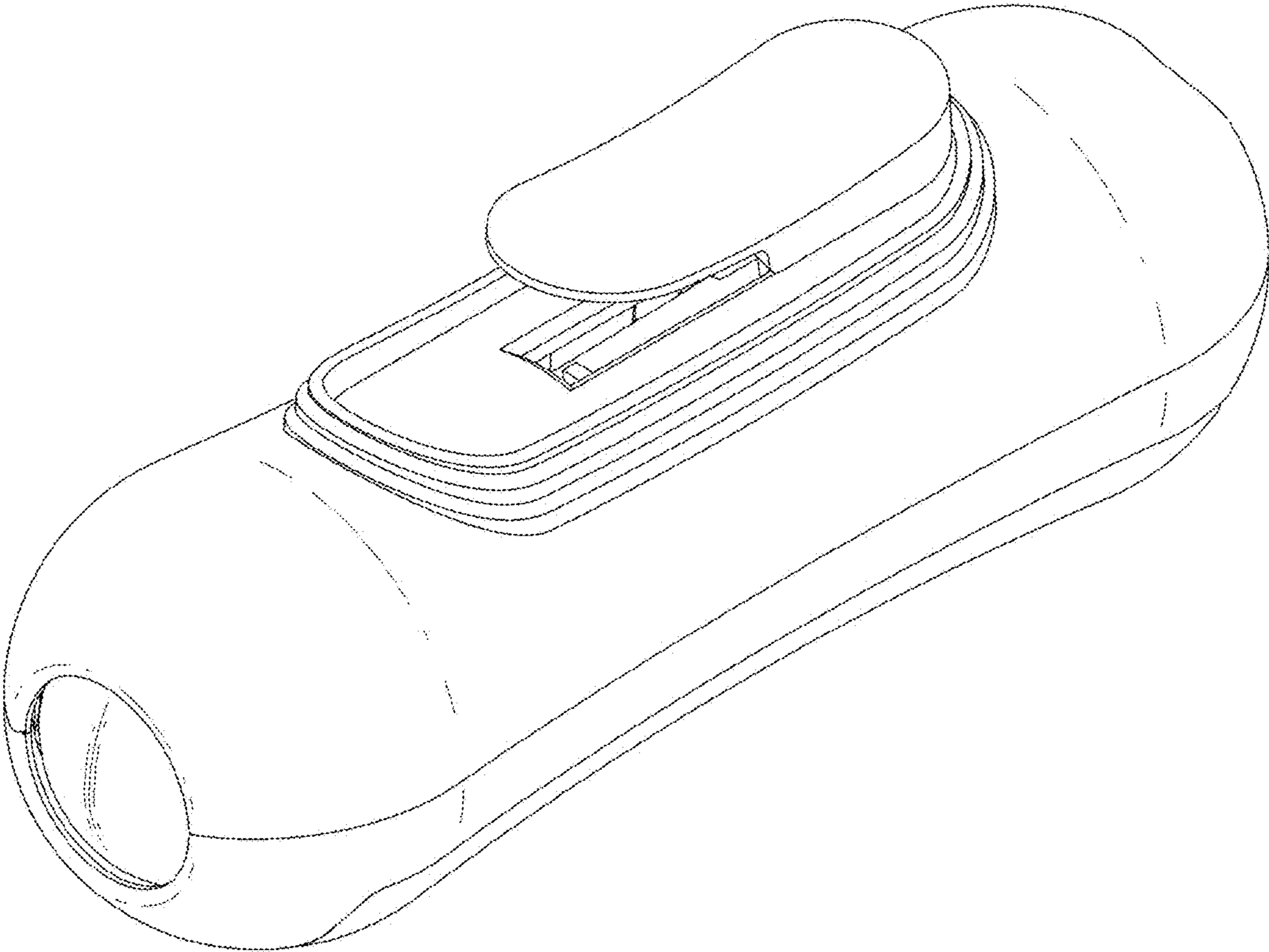
1.6 : Top

1.7 : Bottom

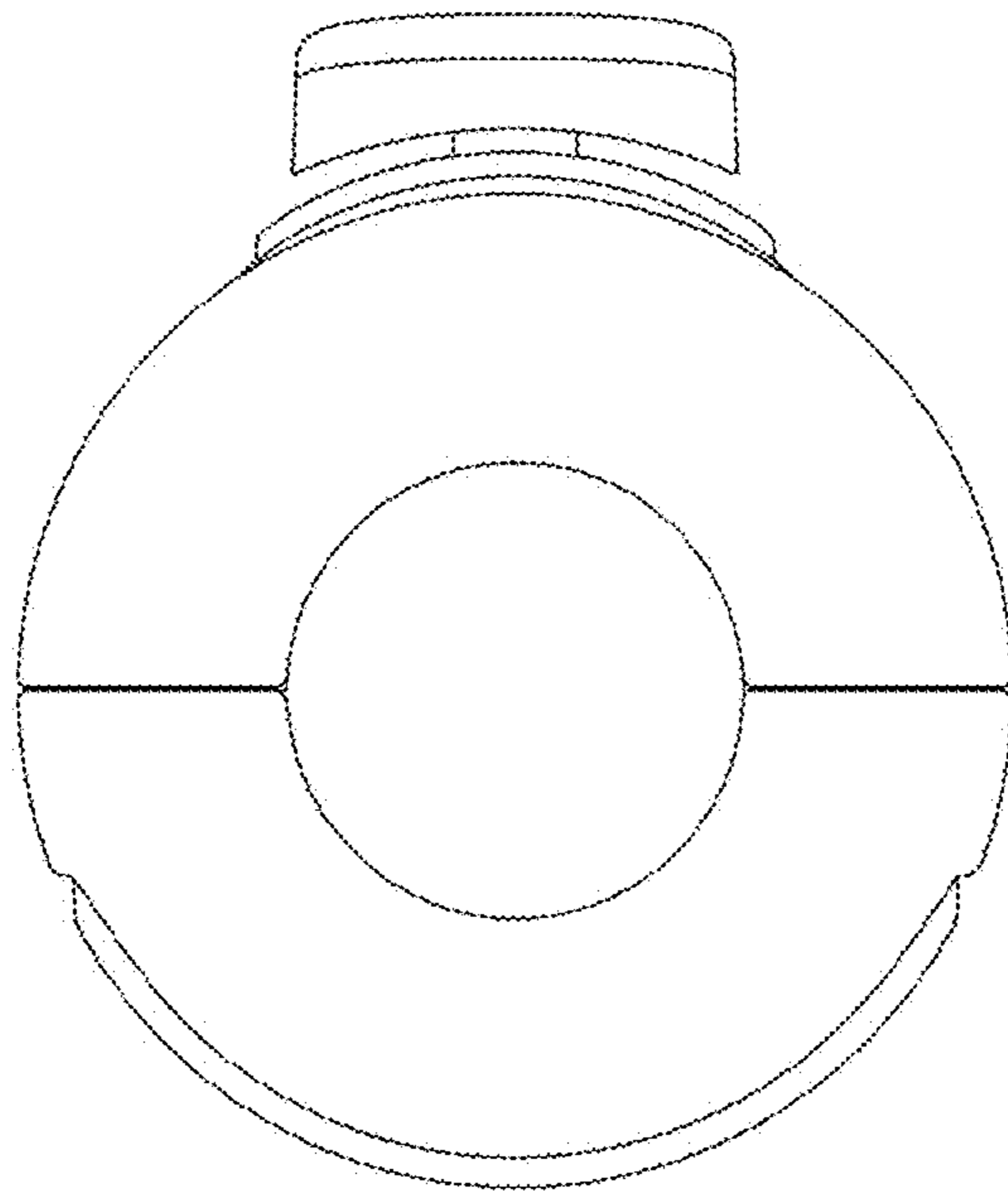
1 Claim, 7 Drawing Sheets



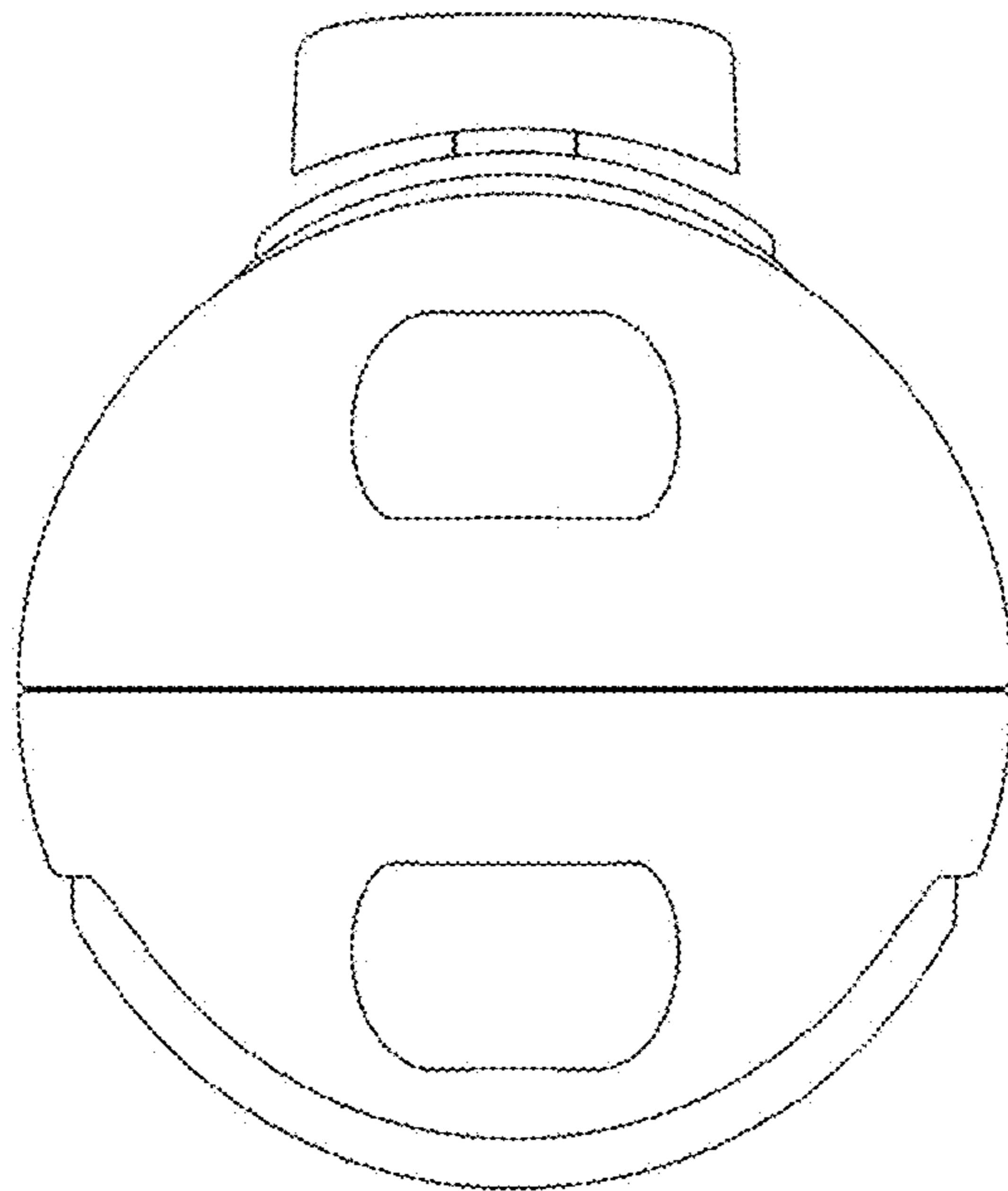
1.1



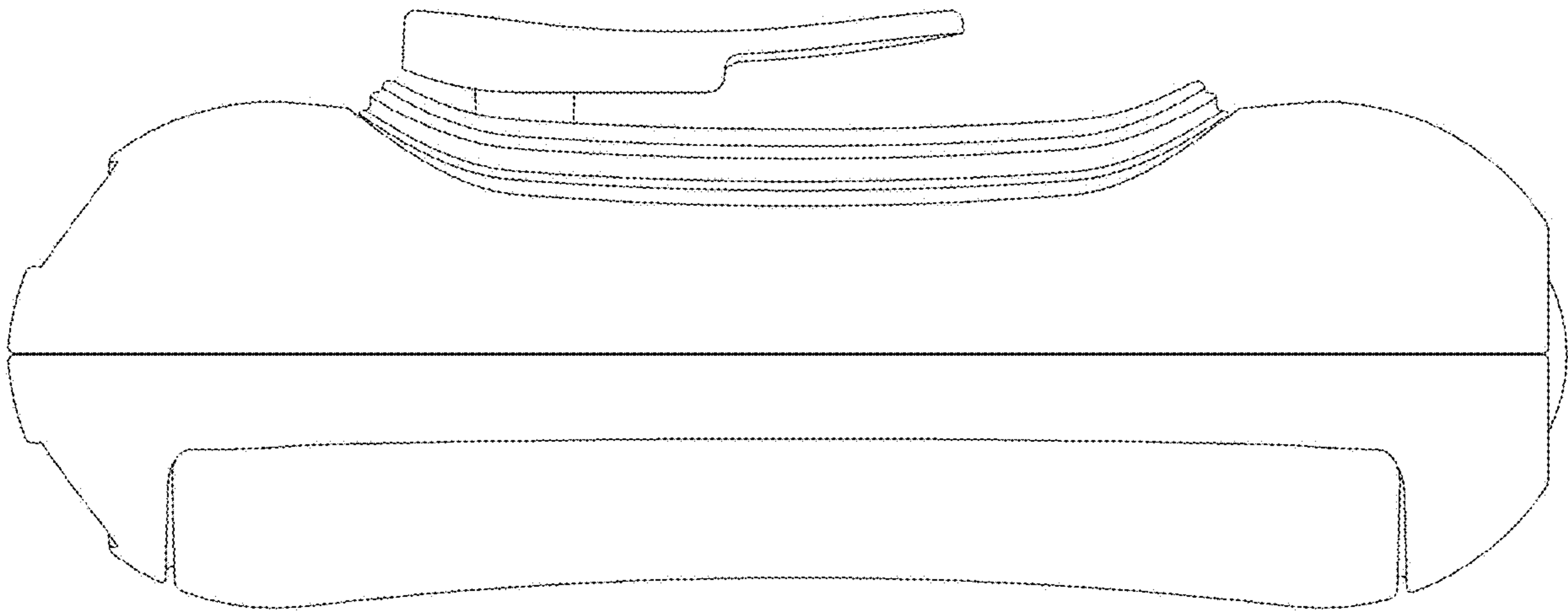
1.2



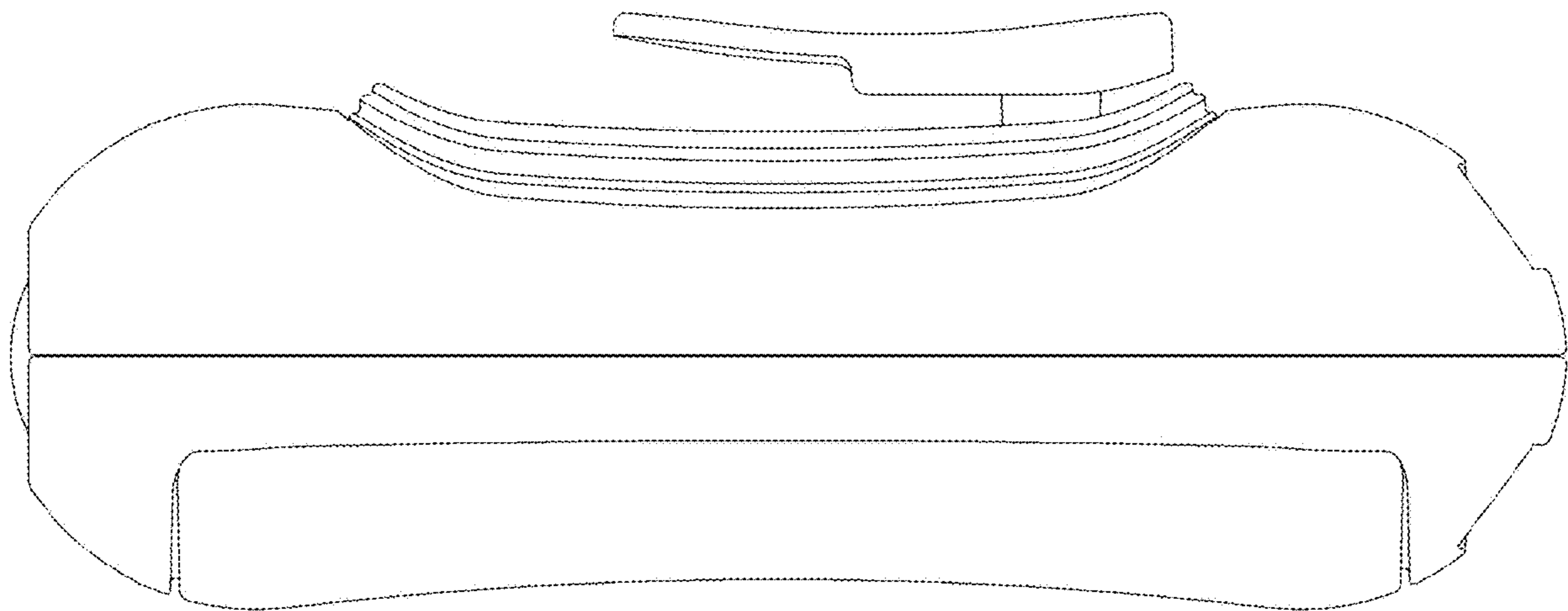
1.3



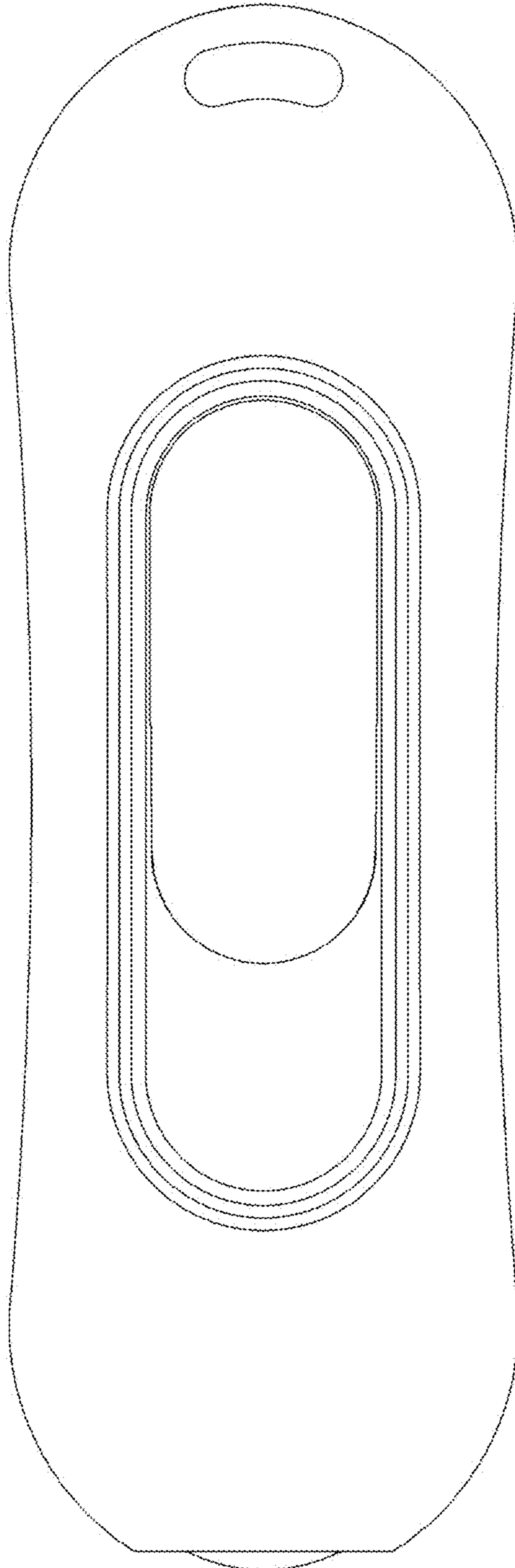
1.4



1.5



1.6



1.7

