



US00D973661S

(12) **United States Design Patent**
Liu

(10) **Patent No.:** **US D973,661 S**

(45) **Date of Patent:** **** Dec. 27, 2022**

(54) **STYLUS TIP**

(71) Applicant: **Ruilan Liu**, Shenzhen (CN)

(72) Inventor: **Ruilan Liu**, Shenzhen (CN)

(**) Term: **15 Years**

(21) Appl. No.: **29/807,793**

(22) Filed: **Sep. 15, 2021**

(30) **Foreign Application Priority Data**

Apr. 2, 2021 (CN) 202130186397.9

(51) **LOC (13) Cl.** **14-02**

(52) **U.S. Cl.**
USPC **D14/411**

(58) **Field of Classification Search**
USPC D14/372, 496, 432, 371, 125, 126, 129,
D14/299, 411; D16/300-342; 351/158,
351/153, 144; 345/7-9, 905; 455/344;
348/115, 53, 121, 739

CPC G02B 27/017; G06F 3/016; G06F 3/033;
G06F 3/0317; G06F 3/03545; G06F
3/041; G06K 9/222

See application file for complete search history.

(56) **References Cited**

U.S. PATENT DOCUMENTS

D352,703 S * 11/1994 Mitcham D14/411
D368,079 S * 3/1996 Ive D14/411

D416,043 S * 11/1999 Arthur D19/200
D418,494 S * 1/2000 Robb D14/411
D487,746 S * 3/2004 Fitch D14/431
D772,876 S * 11/2016 Akana D14/411
D788,109 S * 5/2017 Kuan-her D14/411
D791,770 S 7/2017 Akana
D854,014 S 7/2019 Akana
D940,714 S * 1/2022 Zou D14/411

* cited by examiner

Primary Examiner — Austin Murphy

(74) *Attorney, Agent, or Firm* — Jeenam Park

(57) **CLAIM**

The ornamental design for a stylus tip, as shown and described.

DESCRIPTION

FIG. 1 is a perspective view of a stylus tip, showing my new design;

FIG. 2 is a perspective view thereof;

FIG. 3 is a front view thereof;

FIG. 4 is a rear view thereof;

FIG. 5 is a left side view thereof;

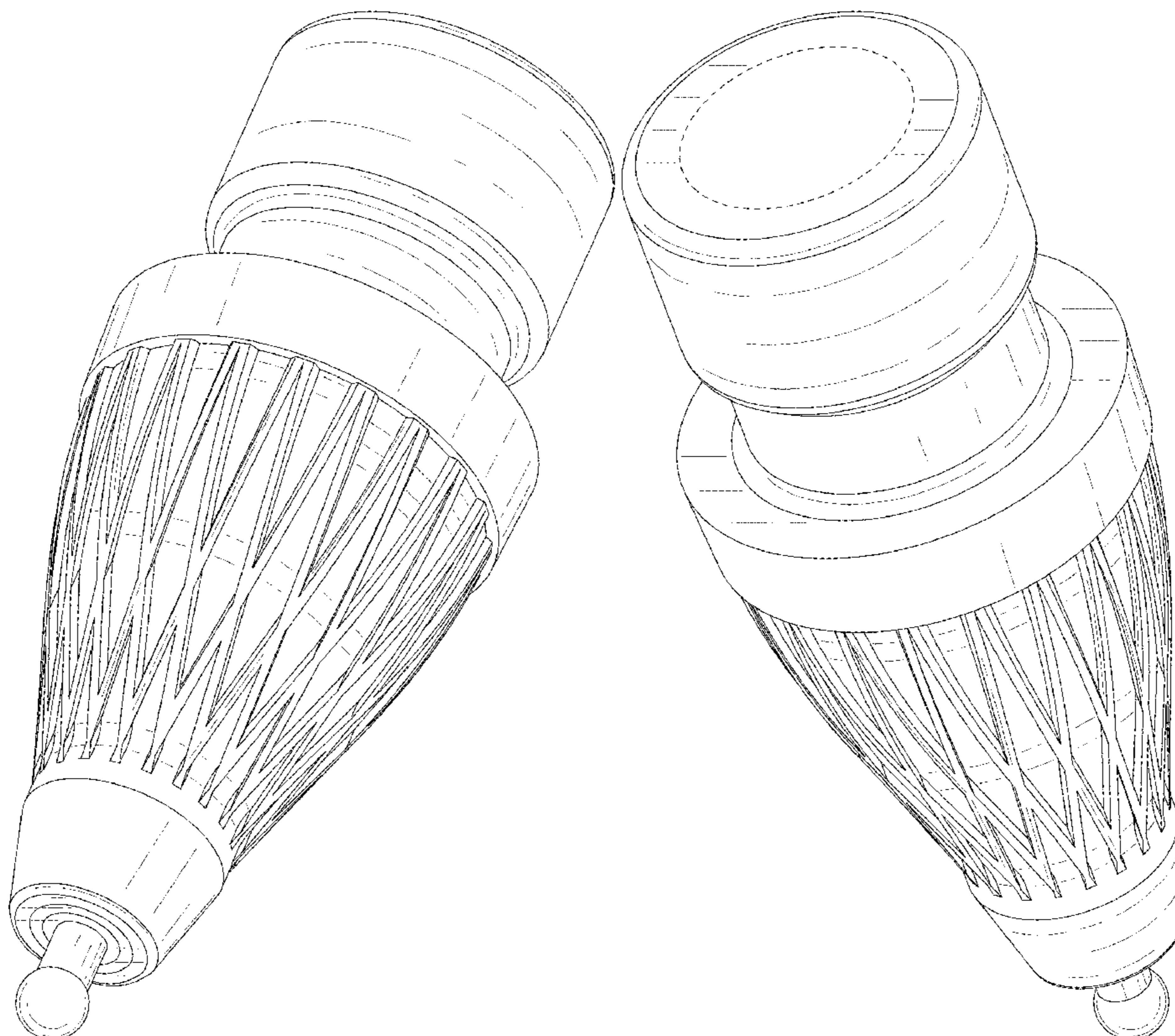
FIG. 6 is a right side view thereof;

FIG. 7 is a top plan view thereof; and,

FIG. 8 is a bottom plan view thereof.

The broken line showing of the stylus tip is for the purpose of illustrating article and forms no part of the claimed design.

1 Claim, 8 Drawing Sheets



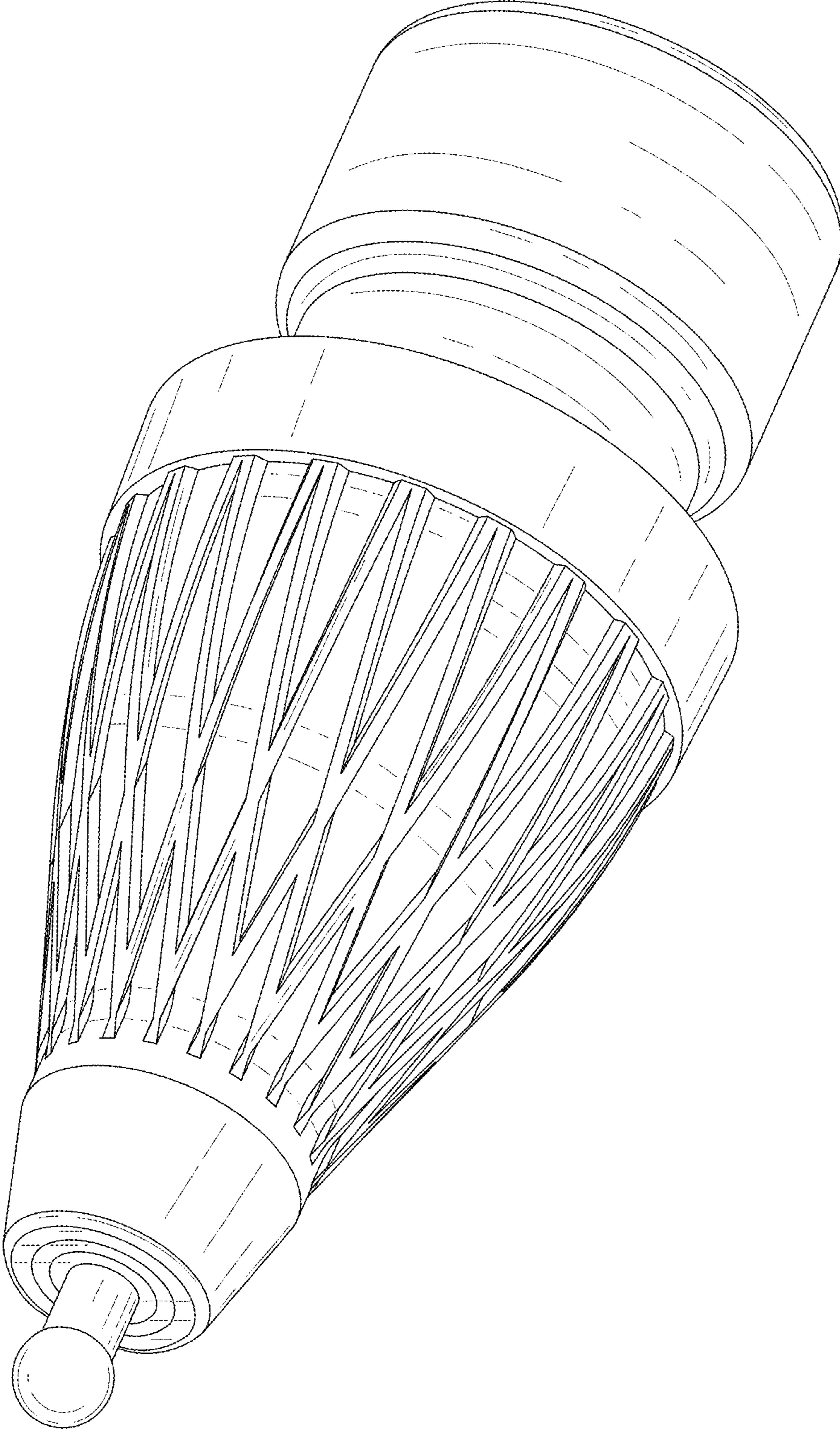


FIG. 1

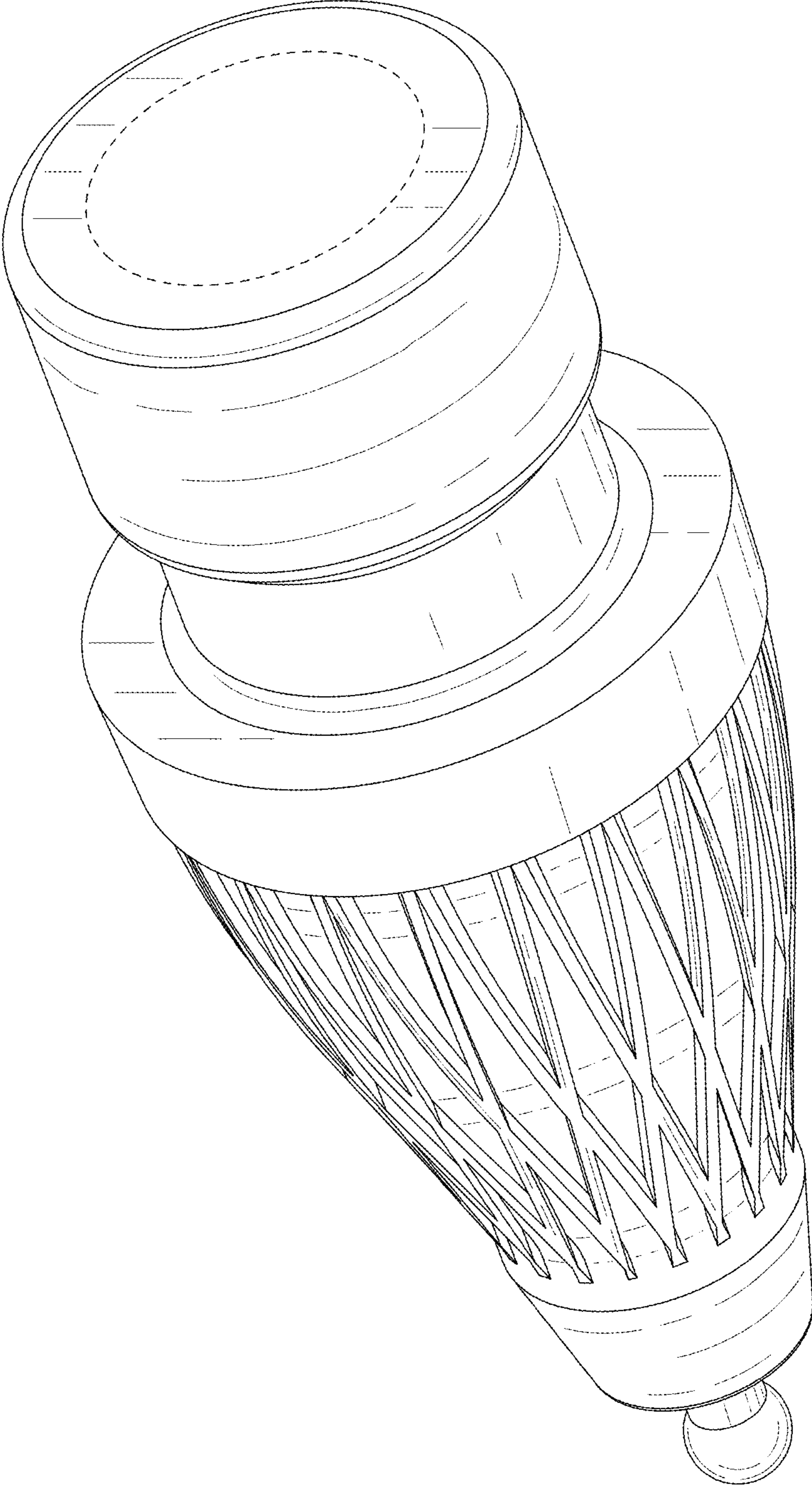


FIG. 2

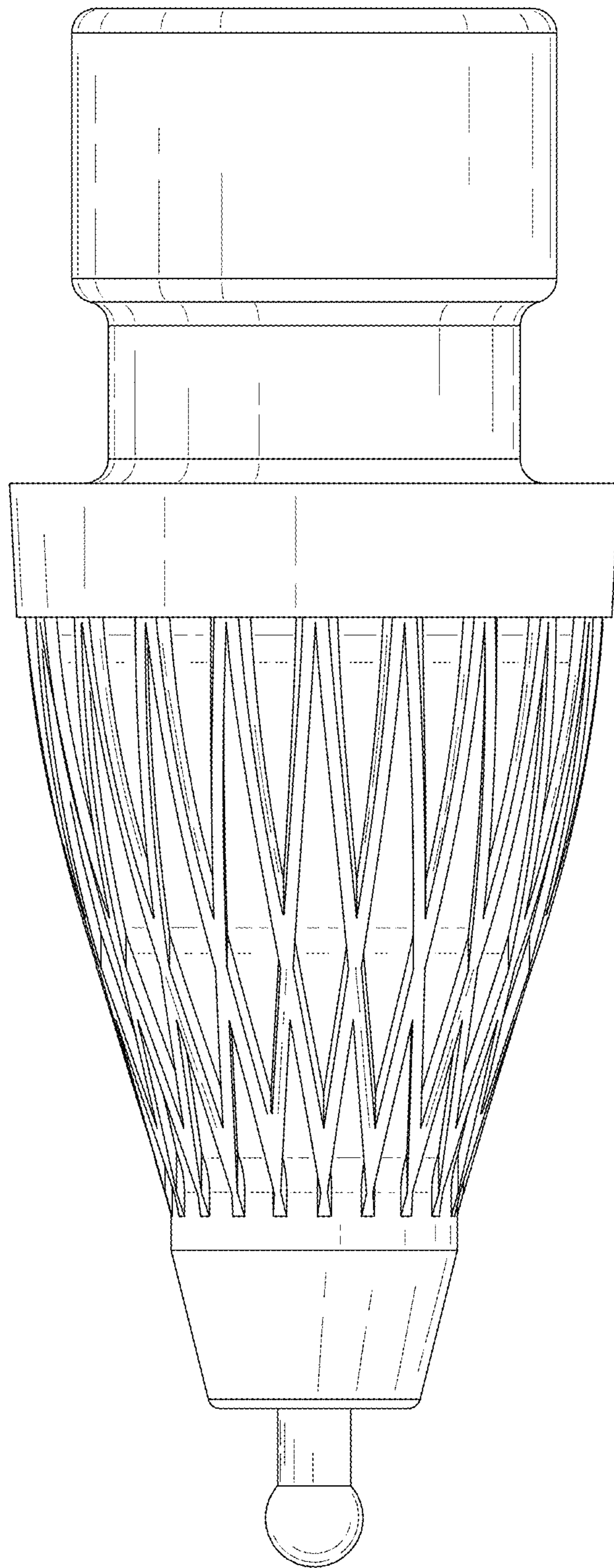


FIG. 3

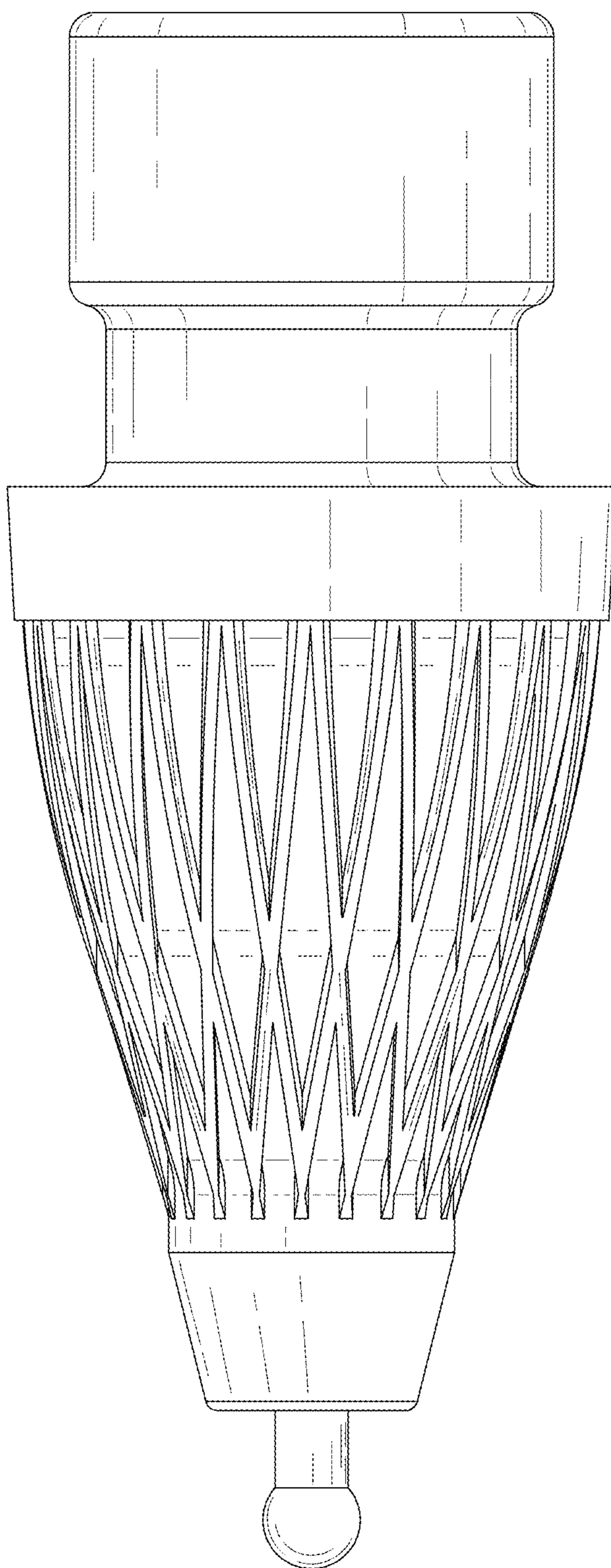


FIG. 4

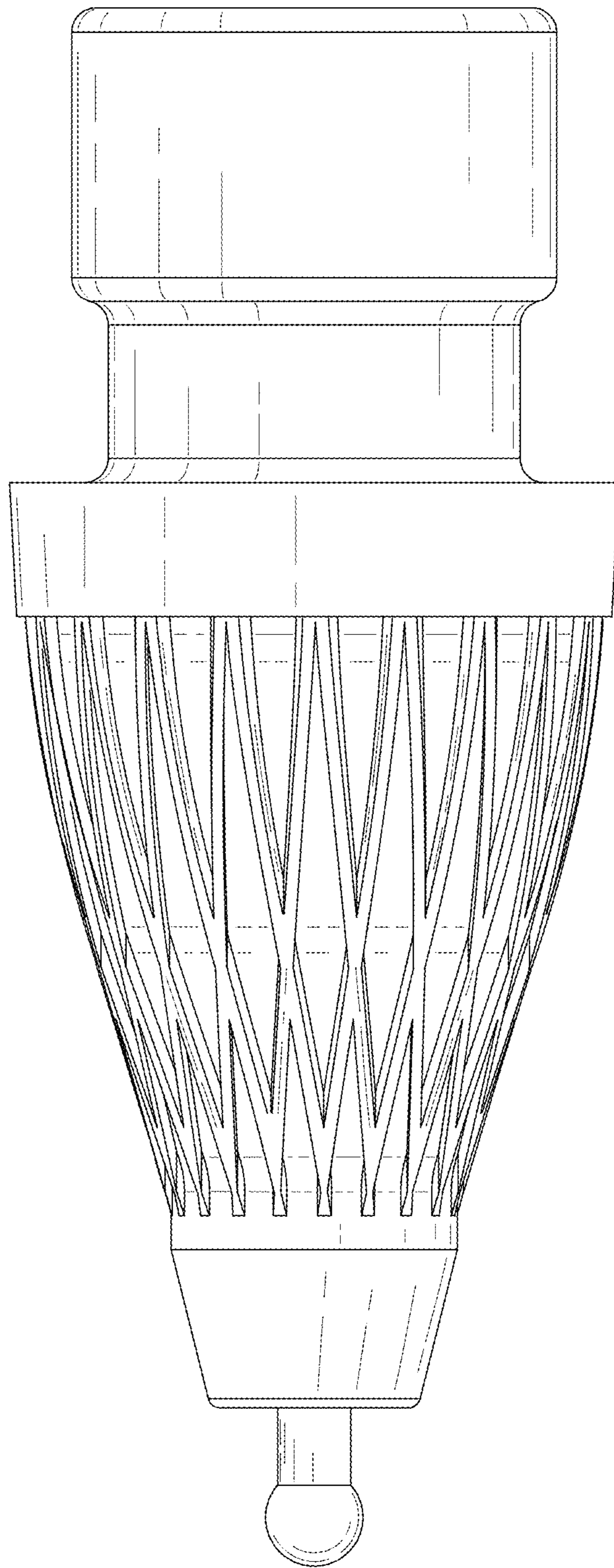


FIG. 5

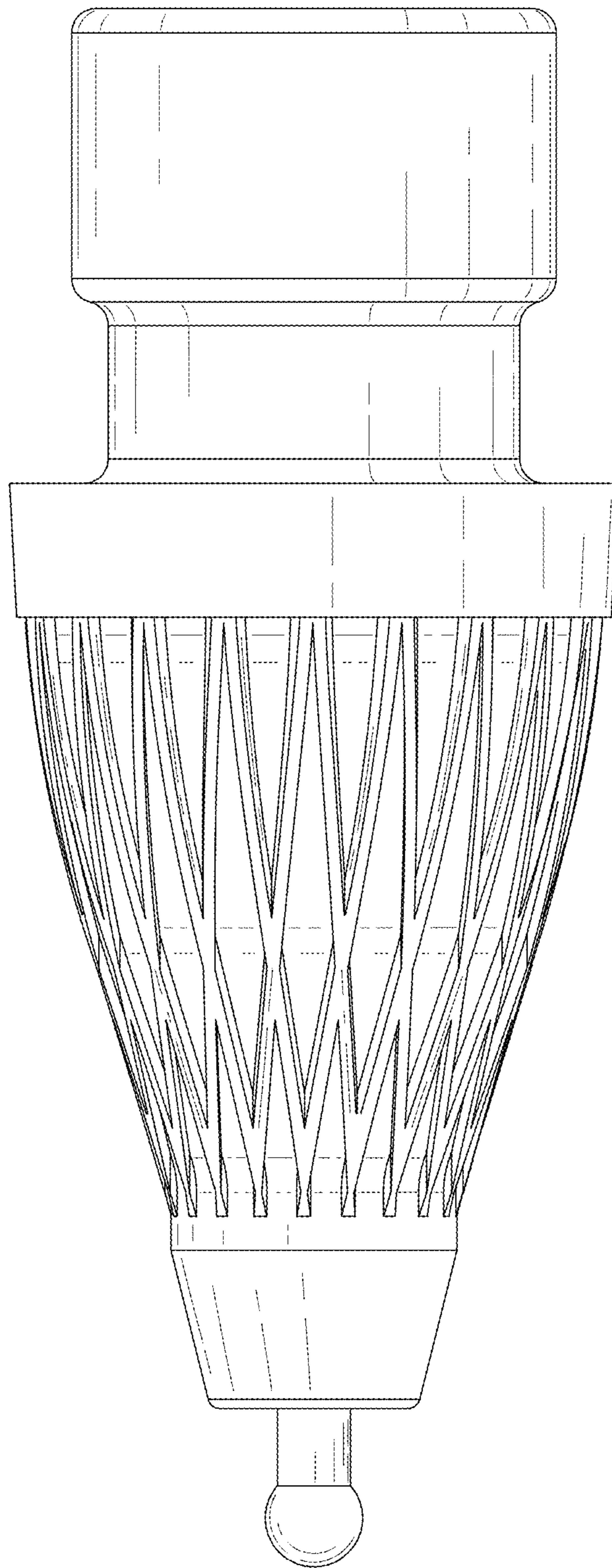


FIG. 6

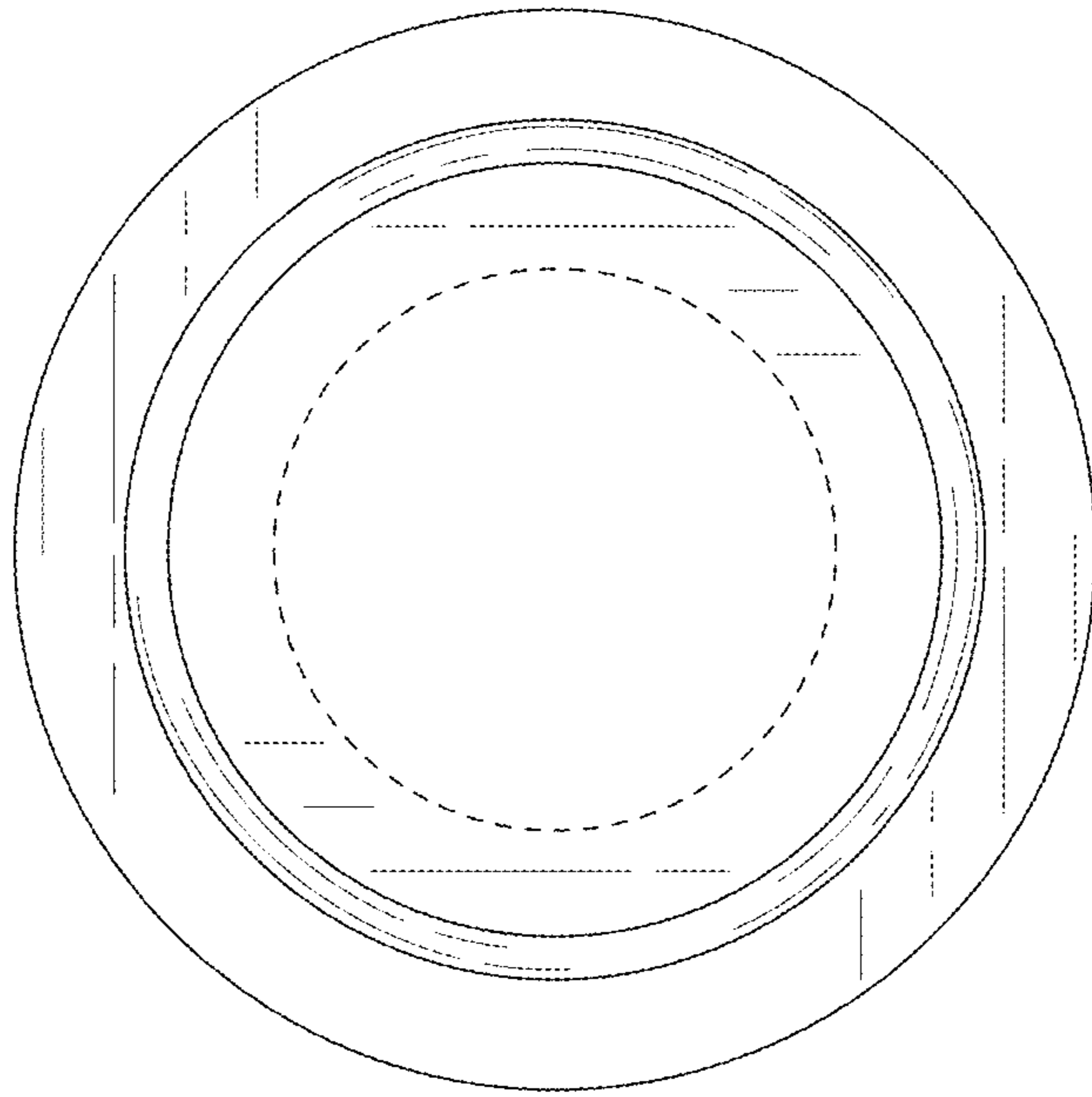


FIG. 7

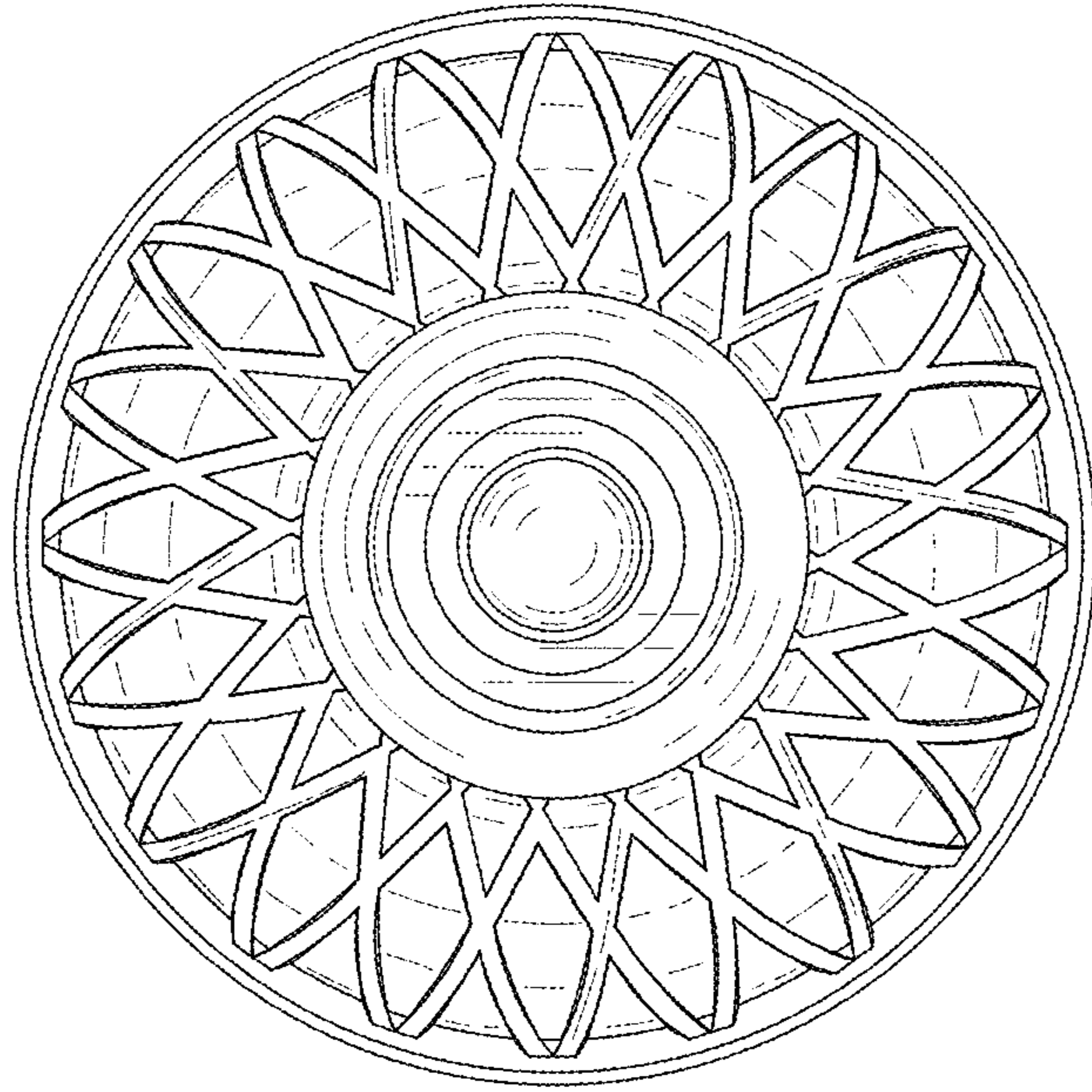


FIG. 8