



US00D973655S

(12) **United States Design Patent** (10) **Patent No.:** **US D973,655 S**  
**Chang et al.** (45) **Date of Patent:** **\*\* Dec. 27, 2022**

(54) **COMMAND POD MODULE**

- (71) Applicant: **Cepheid**, Sunnyvale, CA (US)
- (72) Inventors: **Ronald Chang**, Redwood City, CA (US); **Stephen M. Montgomery**, Sunnyvale, CA (US); **Gregory E. Mote**, Sunnyvale, CA (US)
- (73) Assignee: **Cepheid**, Sunnyvale, CA (US)
- (\*\*) Term: **15 Years**
- (21) Appl. No.: **29/720,274**
- (22) Filed: **Jan. 10, 2020**
- (51) **LOC (13) Cl.** ..... **14-02**
- (52) **U.S. Cl.**  
USPC ..... **D14/336**
- (58) **Field of Classification Search**  
USPC ..... D14/336, 337, 373, 374, 375, 376, 377,  
D14/125, 128, 129, 126, 127, 371, 372,  
D14/341; D24/185, 186  
CPC ..... G06F 1/1601; G06F 1/1605; G06F 1/162  
See application file for complete search history.

(56) **References Cited**

U.S. PATENT DOCUMENTS

D611,032 S	*	3/2010	Kim	.....	D14/188
D697,506 S	*	1/2014	Bianco	.....	D14/336
D711,845 S	*	8/2014	Skiadiotis	.....	D14/126
D745,512 S	*	12/2015	Lee	.....	D14/341
D789,362 S	*	6/2017	Eljas	.....	D14/366
D834,573 S	*	11/2018	Pell	.....	D14/336
D835,281 S	*	12/2018	Clifford	.....	D24/185
D849,701 S	*	5/2019	Lee	.....	D14/126
D863,294 S	*	10/2019	Haaksma	.....	D14/341
D891,428 S	*	7/2020	Taylor	.....	D14/371
D897,535 S	*	9/2020	Rainville	.....	D24/160
D899,390 S	*	10/2020	Park	.....	D14/126

(Continued)

FOREIGN PATENT DOCUMENTS

CN	304864846	*	10/2018
CN	305697577	*	4/2020
CN	306112497	*	10/2020

(Continued)

OTHER PUBLICATIONS

Express Pharma. Link: <https://www.expresspharma.in/oncomine-precision-assay-receives-breakthrough-device-designation-by-the-us-fda/>. Jun. 30, 2020. Oncomine Precision Assay receives breakthrough device designation by the US FDA. (Year: 2020).\*

(Continued)

*Primary Examiner* — Lauren D McVey

(74) *Attorney, Agent, or Firm* — Kilpatrick Townsend & Stockton LLP

(57) **CLAIM**

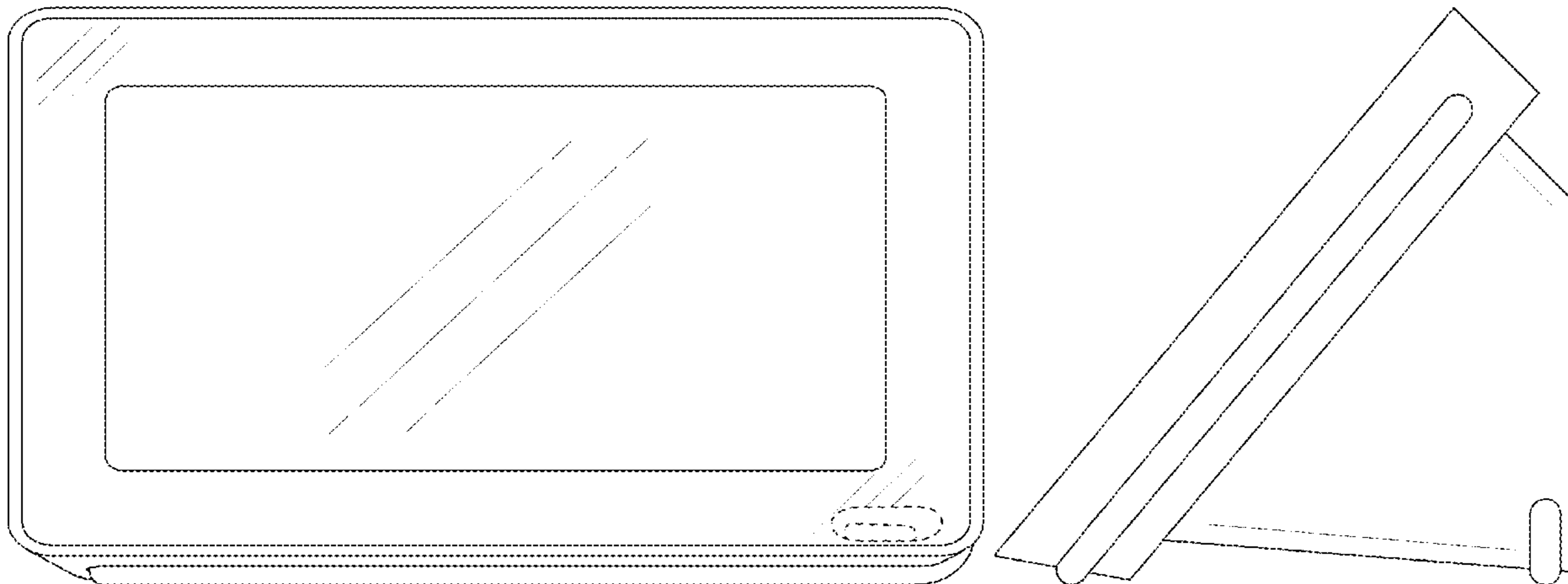
The ornamental design for command pod module, as shown and described.

**DESCRIPTION**

FIG. 1 is a front perspective view of command pod module showing our new design;  
FIG. 2 is a right side front perspective view thereof;  
FIG. 3 is a left side front perspective view thereof;  
FIG. 4 is a rear perspective view thereof;  
FIG. 5 is a front elevational view thereof;  
FIG. 6 is a right side elevational view thereof;  
FIG. 7 is a rear elevational view thereof;  
FIG. 8 is a left side elevational view thereof;  
FIG. 9 is a top view thereof; and,  
FIG. 10 is a bottom view thereof.

The broken lines immediately adjacent the shaded areas represent the bounds of the claimed design while all other broken lines are directed to environment and are for illustrative purposes only; the broken lines form no part of the claimed design.

**1 Claim, 10 Drawing Sheets**



(56)

**References Cited**

U.S. PATENT DOCUMENTS

D937,831 S \* 12/2021 Patterson ..... D14/371  
2019/0056058 A1 \* 2/2019 Pell ..... F16M 11/04

FOREIGN PATENT DOCUMENTS

EM 002222000-0001 \* 7/2013  
EM 007732888-0001 \* 3/2020  
EM 008403927-0001 \* 2/2021  
KR 300730664.0000 \* 8/2016

OTHER PUBLICATIONS

PCRichard. Link: <https://www.pcrichard.com/Amazon/Amazon-Echo-Show-5-Smart-Display-with-Alexa-Charcoal/B07HZLHPKP>. percp. Visited Aug. 2, 2021. Amazon Echo Show 5 Smart Display with Alexa B07HZLHPKP. (Year: 2021).\*

Amazon. Link: [https://www.amazon.com/All-new-Echo-Show-5-2nd-Gen-2021-release/dp/B08J8H8L5T/ref=sr\\_1\\_3?dchild=1&keywords=Echo-Show-5-2nd-Gen-2021-release&qid=1628098576&s=amazon-devices&sr=1-3&th=1](https://www.amazon.com/All-new-Echo-Show-5-2nd-Gen-2021-release/dp/B08J8H8L5T/ref=sr_1_3?dchild=1&keywords=Echo-Show-5-2nd-Gen-2021-release&qid=1628098576&s=amazon-devices&sr=1-3&th=1). May 12, 2021. All-new Echo Show 5 (2nd Gen, 2021 release). (Year: 2021).\*

CDW. Link: <https://www.cdw.com/product/mimo-um-760c-smk-lcd-monitor-7/6505848>. Visited Aug. 4, 2021. Mimo UM-760C-SMK—LCD monitor—7" (Year: 2021).\*

\* cited by examiner

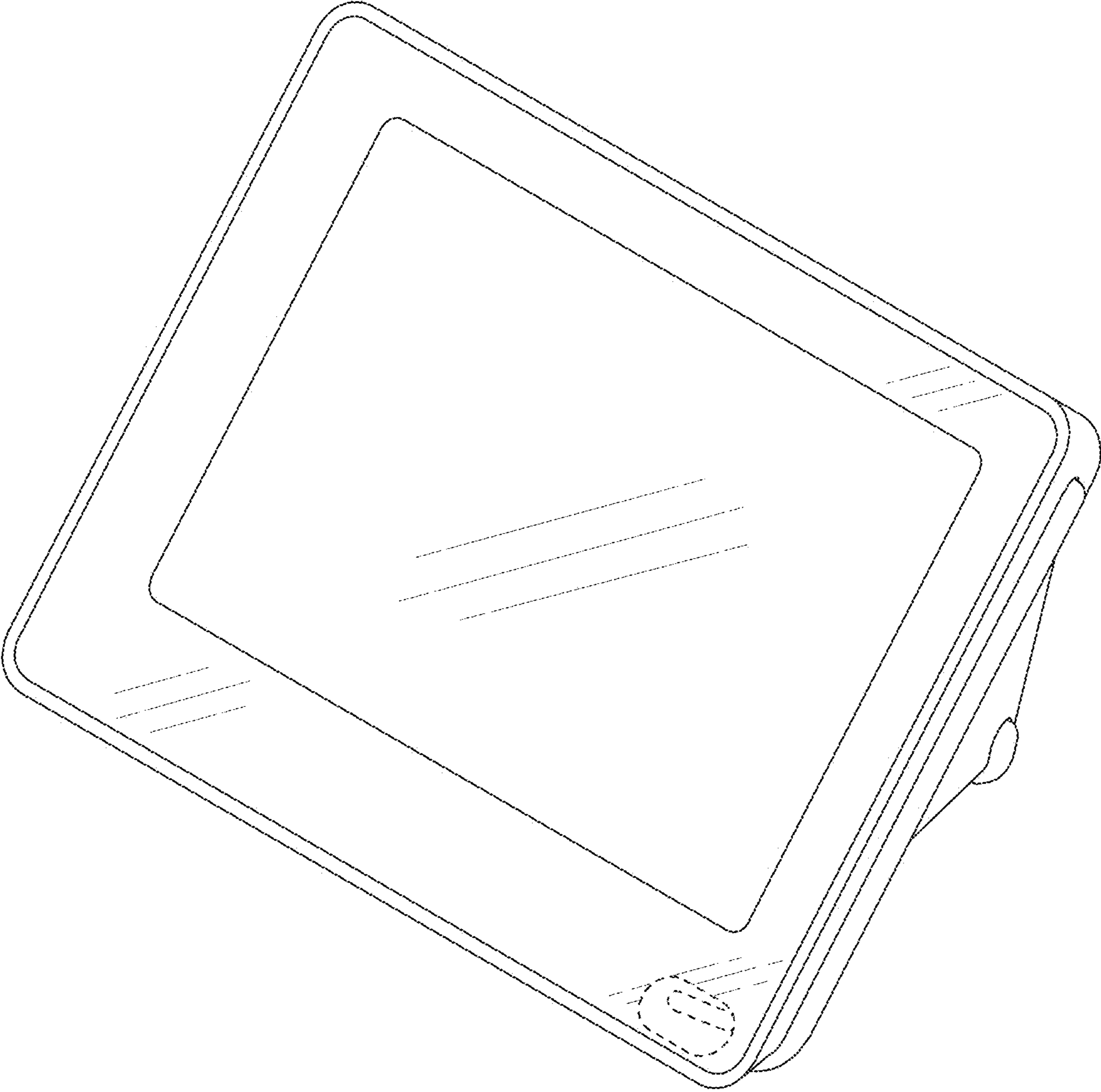


FIG. 1

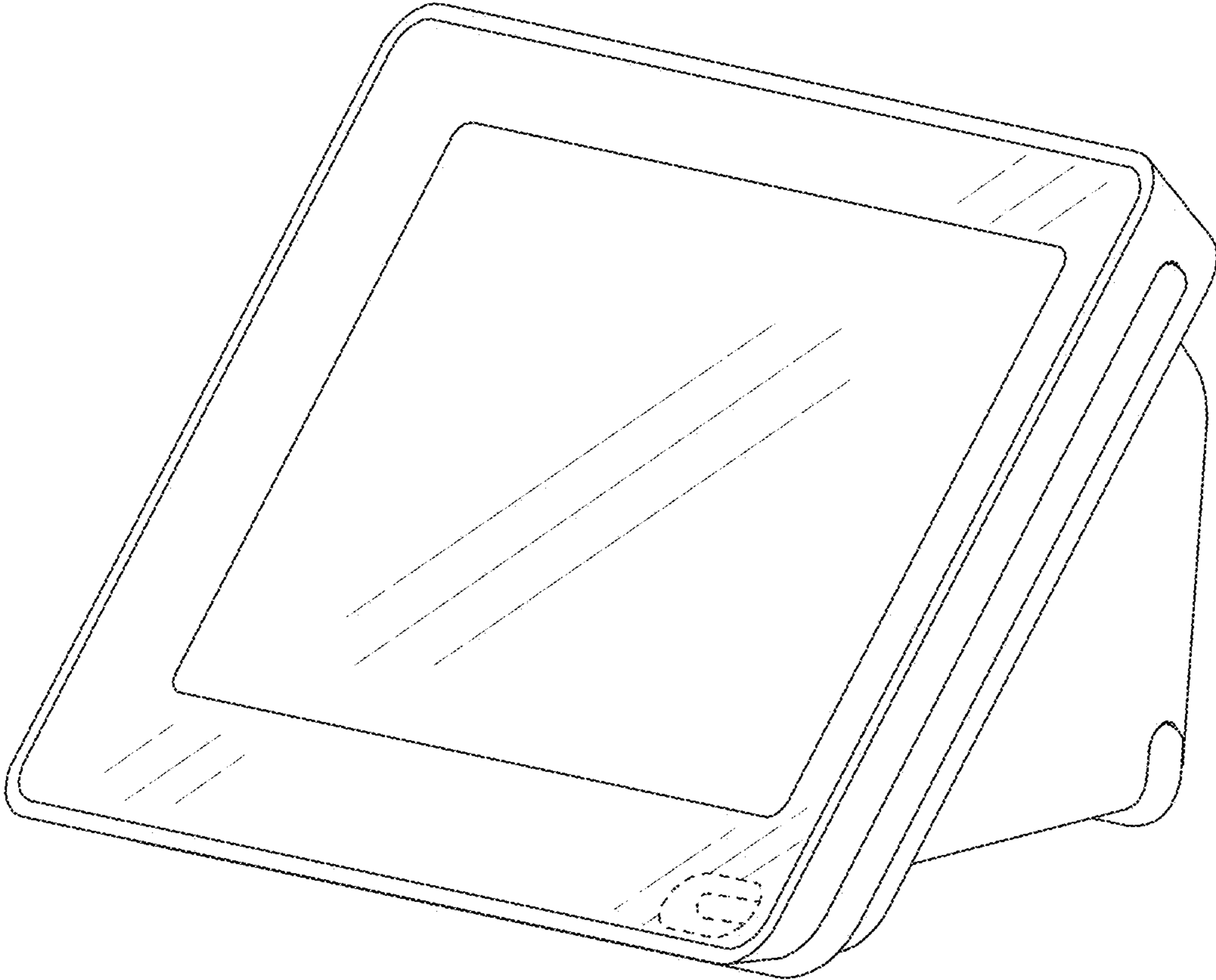


FIG. 2

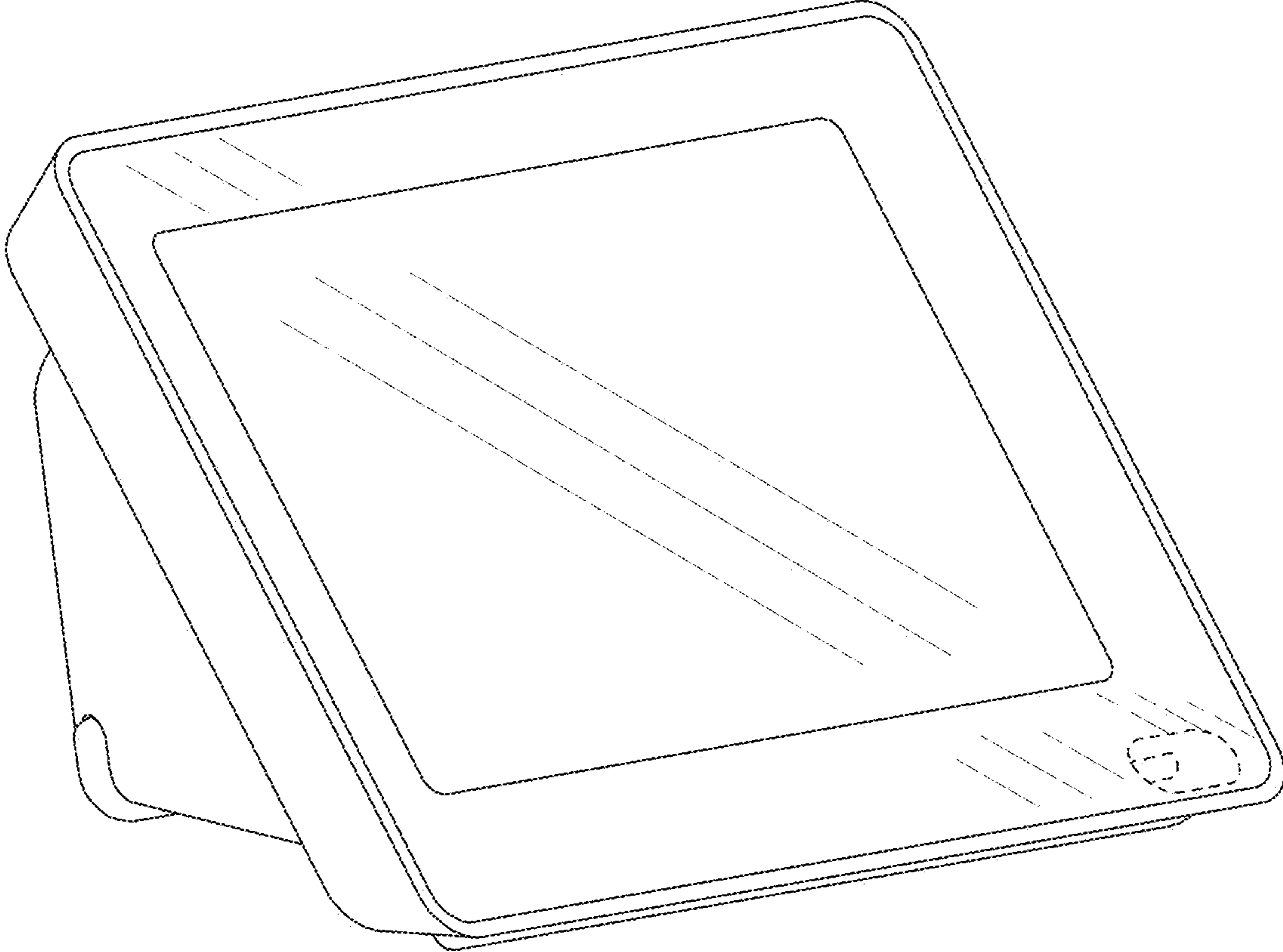


FIG. 3



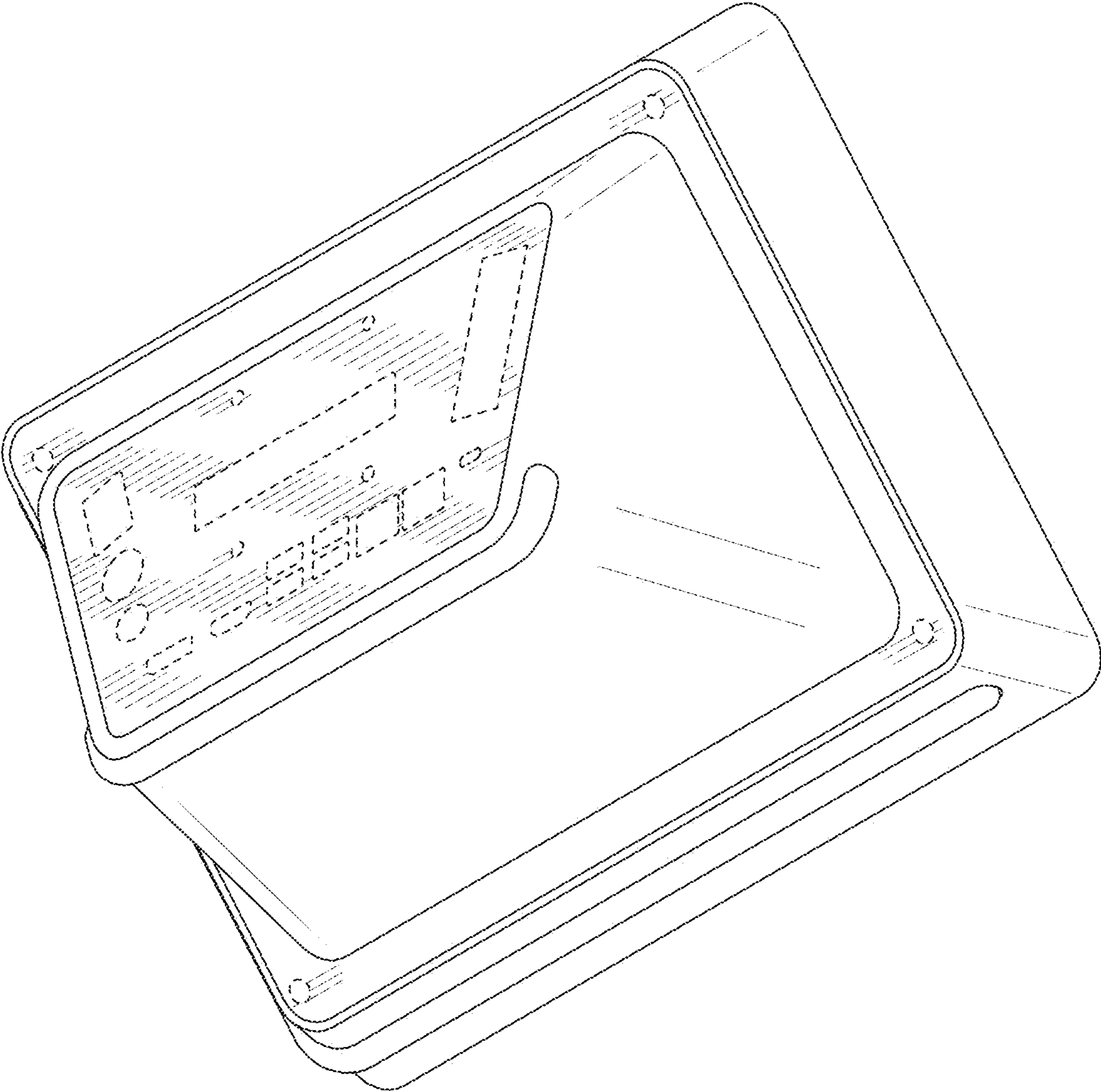


FIG. 4

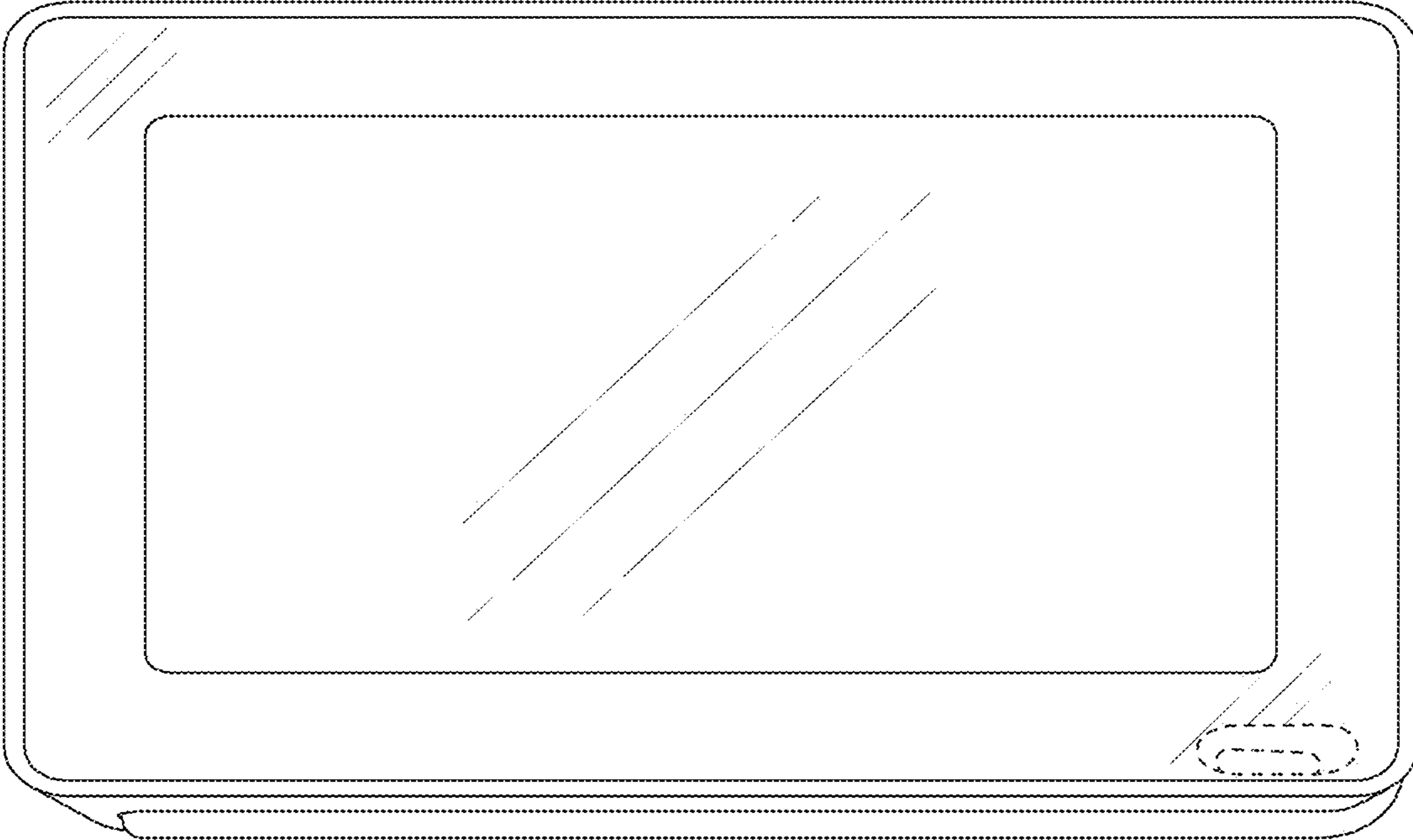


FIG. 5

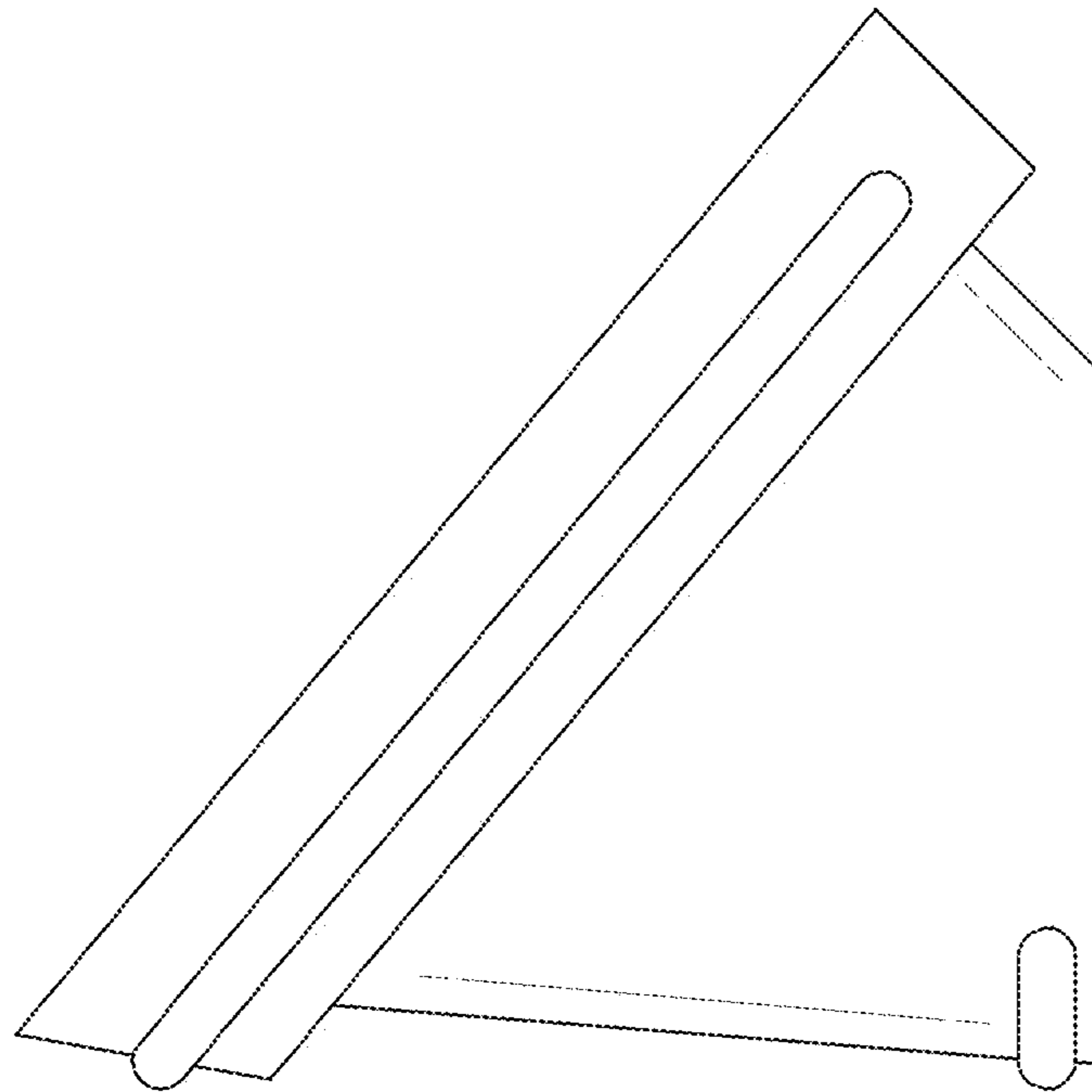


FIG. 6



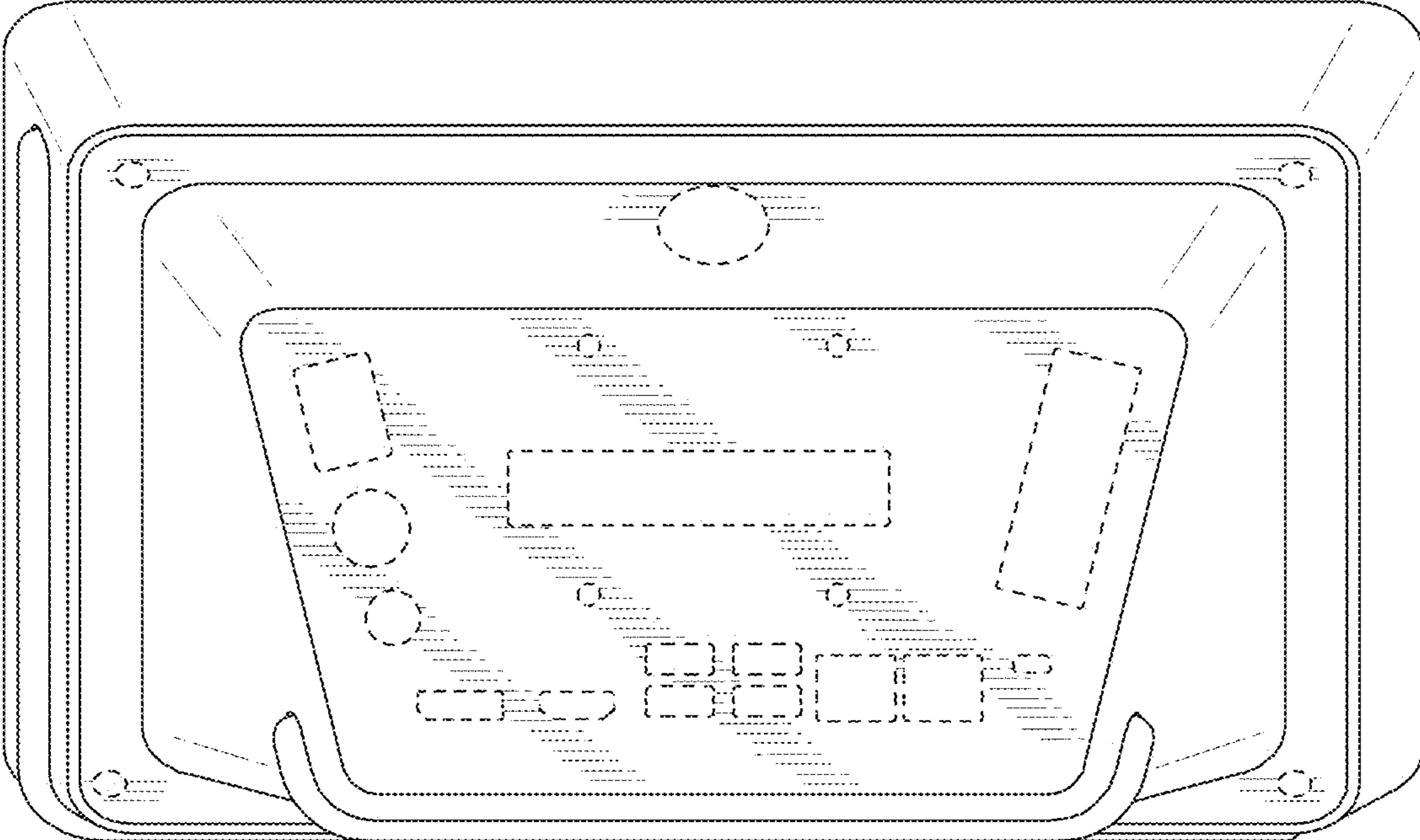


FIG. 7

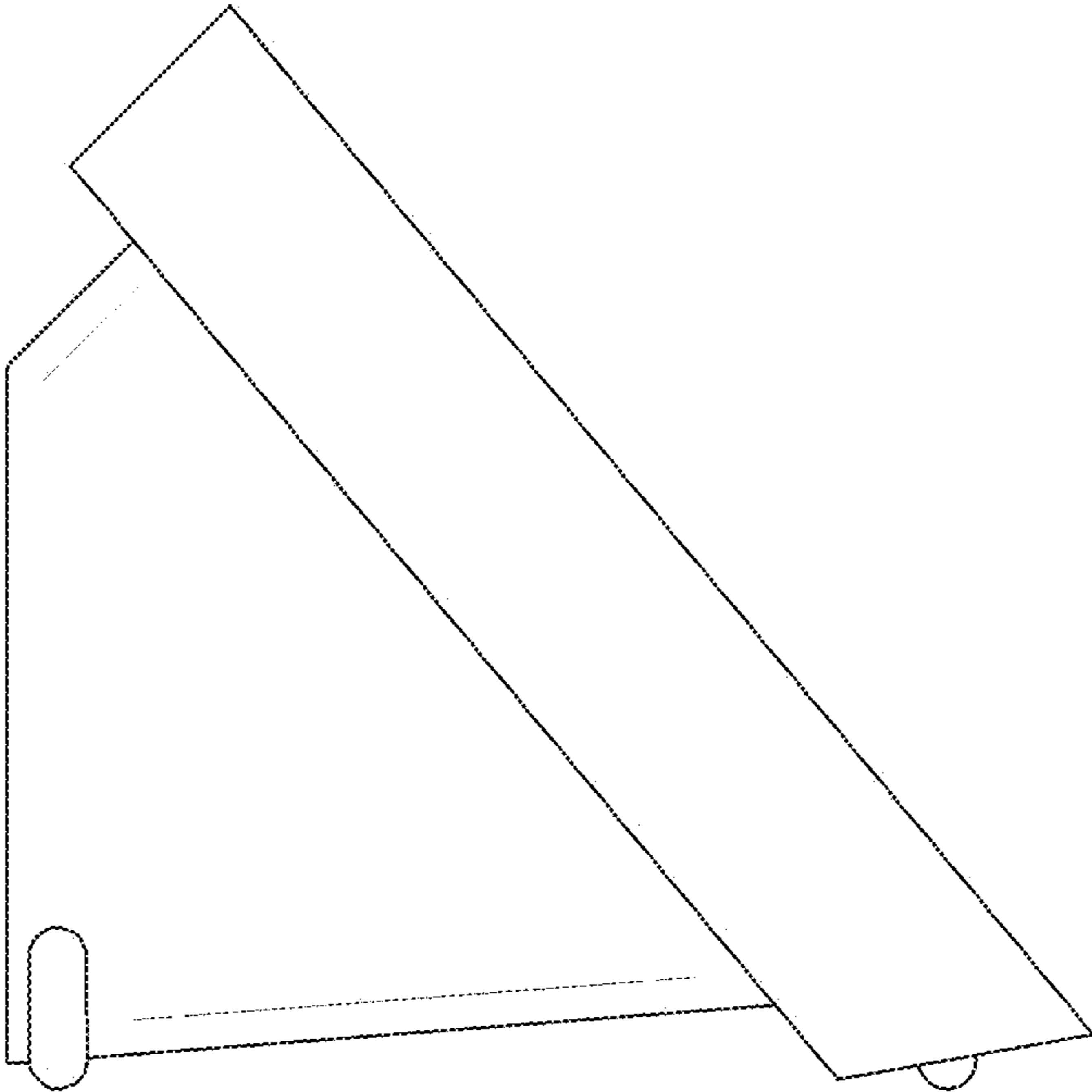


FIG. 8

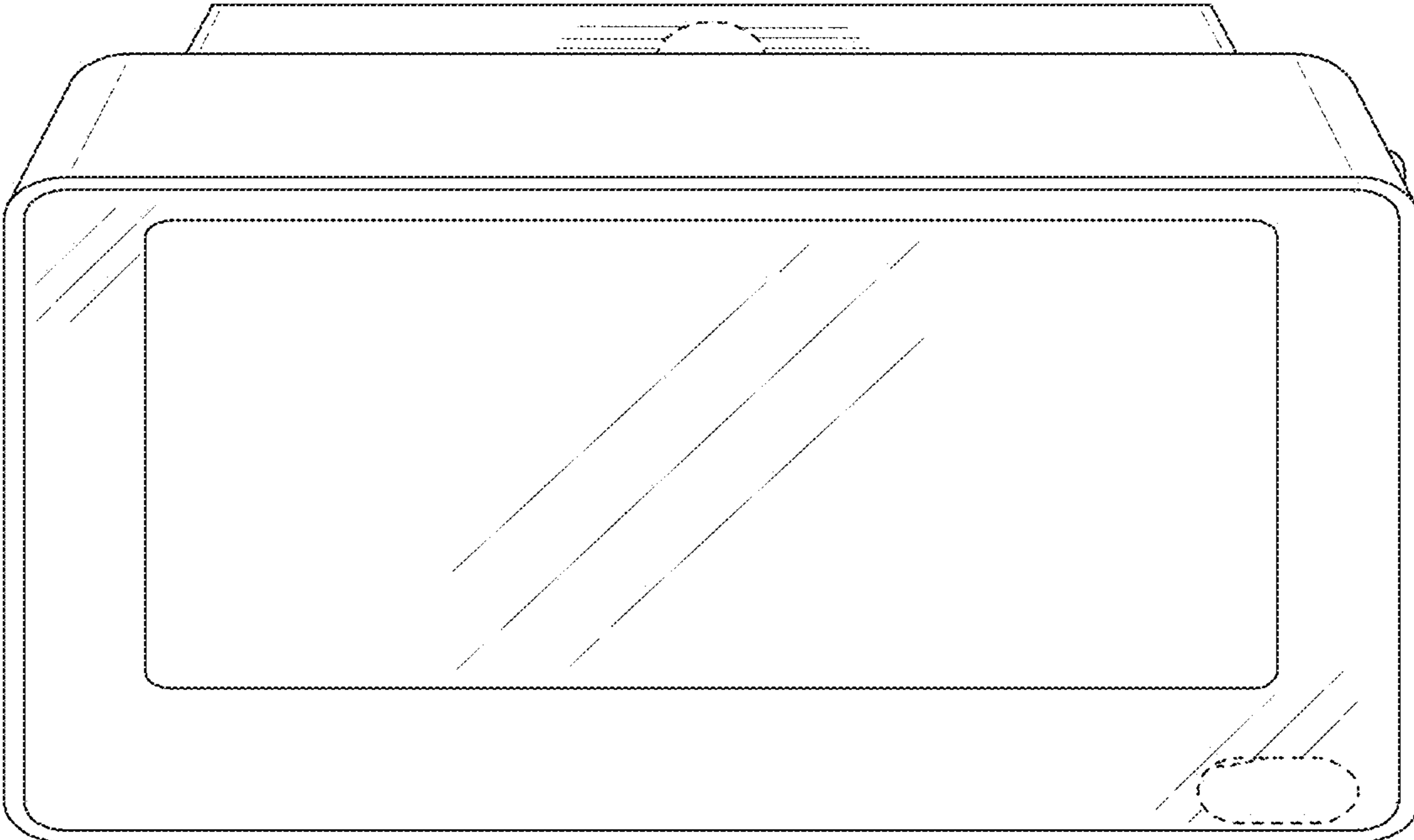


FIG. 9

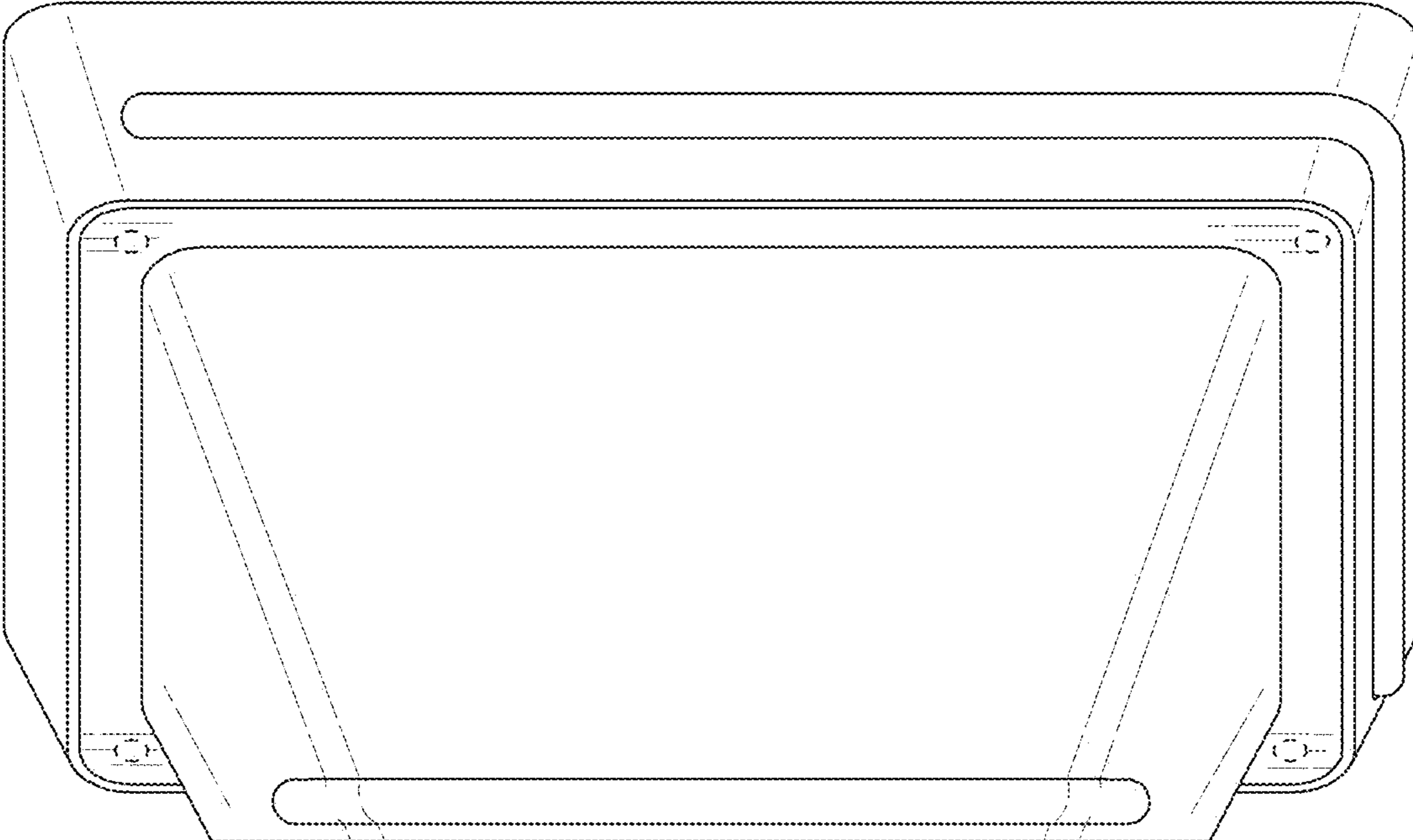


FIG. 10