



US00D973648S

(12) **United States Design Patent** (10) **Patent No.:** **US D973,648 S**
Choi et al. (45) **Date of Patent:** **** Dec. 27, 2022**

(54) **ELECTRONIC DEVICE**

(71) Applicant: **Samsung Electronics Co., Ltd.**,
Suwon-si (KR)
(72) Inventors: **Duyeong Choi**, Suwon-si (KR);
Jaewoong Chung, Suwon-si (KR);
Ethan Lee, Suwon-si (KR); **Seonkeun**
Park, Suwon-si (KR); **Jungwon Lee**,
Suwon-si (KR); **Seungjoon Lee**,
Suwon-si (KR)
(73) Assignee: **Samsung Electronics Co., Ltd.**,
Suwon-si (KR)

(**) Term: **15 Years**

(21) Appl. No.: **29/775,579**

(22) Filed: **Mar. 24, 2021**

(30) **Foreign Application Priority Data**

Sep. 25, 2020 (KR) KR30-2020-0046536
Sep. 25, 2020 (KR) KR30-2020-0046537
Sep. 25, 2020 (KR) KR30-2020-0046538
Sep. 25, 2020 (KR) KR30-2020-0046539
Sep. 25, 2020 (KR) KR30-2020-0046540
Sep. 25, 2020 (KR) KR30-2020-0046541
Sep. 25, 2020 (KR) KR30-2020-0046542

(51) **LOC (13) Cl.** **14-03**

(52) **U.S. Cl.**
USPC **D14/248**

(58) **Field of Classification Search**
USPC D14/138 G, 248, 138 C, 138 AB, 341,
D14/439, 432, 345, 138 R, 138 AA,
D14/138 AC, 138 AD, 371, 374
CPC H04M 1/0202; H04M 1/0235; H04M
1/0237; H04M 1/0239; H04M 1/0266;
H04M 1/0268; H04M 1/027; H04M
1/0295; H04M 1/02; H04M 1/0279;
H04M 1/0283

See application file for complete search history.

(56) **References Cited**

U.S. PATENT DOCUMENTS

D326,090 S * 5/1992 Kikuchi D14/138 G
D593,525 S * 6/2009 Wang D14/138 G
D603,361 S * 11/2009 Kang D14/138 G
D621,379 S * 8/2010 Song D14/138 R
D628,547 S * 12/2010 Park D14/138 AD
D628,549 S * 12/2010 Park D14/138 AD
D659,131 S * 5/2012 Mori D14/248
D778,863 S * 2/2017 Lee D14/138 G
D781,806 S * 3/2017 Lee D14/138 G
D826,202 S * 8/2018 Park D14/138 G
D890,712 S * 7/2020 Liu D14/138 G

(Continued)

Primary Examiner — Bridget L Eland

(74) *Attorney, Agent, or Firm* — McAndrews, Held & Malloy, Ltd.

(57) **CLAIM**

The ornamental design for an electronic device, as shown and described.

DESCRIPTION

FIG. 1 is a front perspective view of an electronic device showing our new design;

FIG. 2 is a front elevation view thereof;

FIG. 3 is a rear elevation view thereof;

FIG. 4 is a left side elevation view thereof;

FIG. 5 is a right side elevation view thereof;

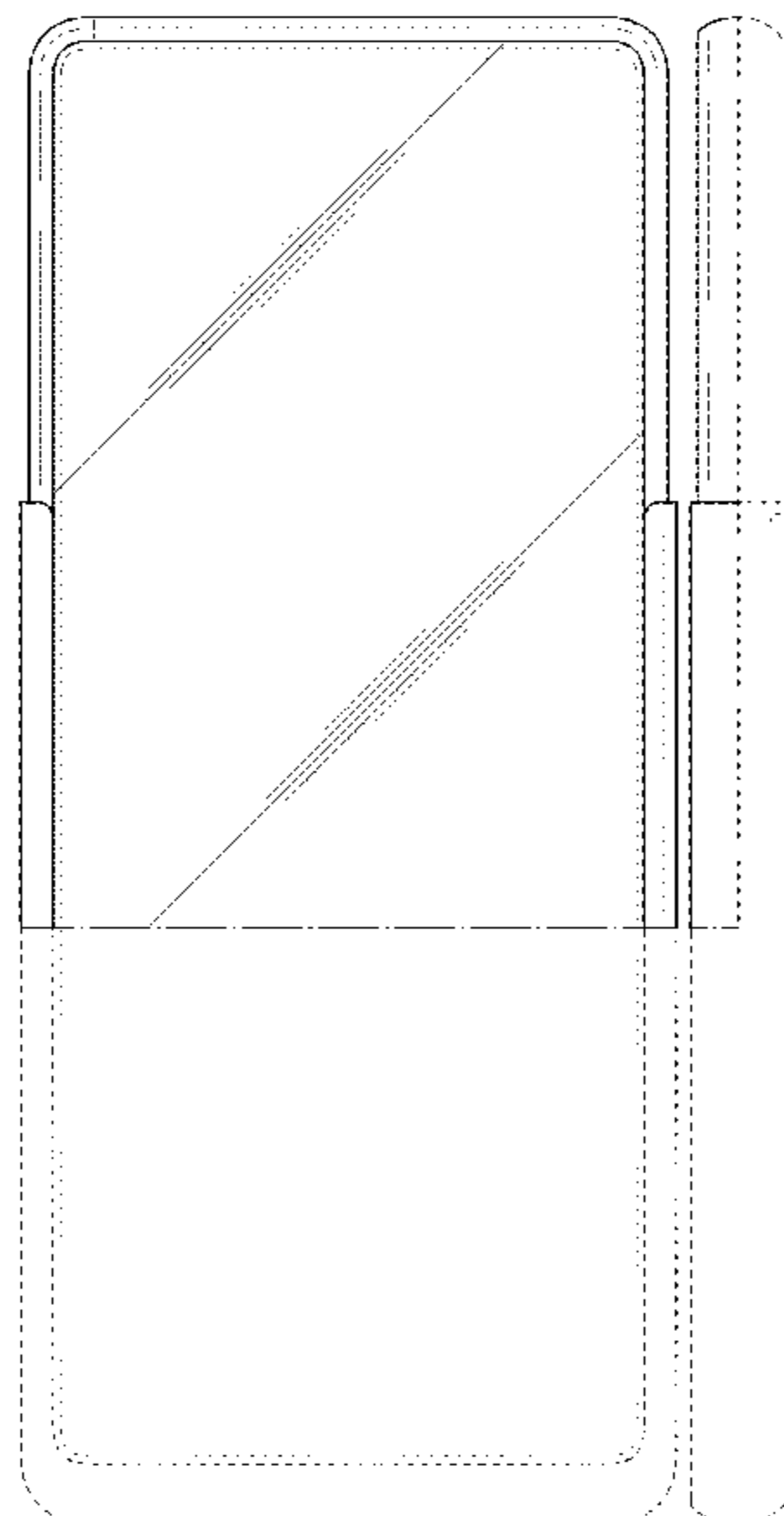
FIG. 6 is a top plan view thereof;

FIG. 7 is a bottom plan view thereof; and,

FIG. 8 is a rear perspective view thereof.

The dashed broken lines in the figures illustrate portions of the electronic device that form no part of the claimed design. The dot-dash broken lines in the drawings define the boundaries of the claimed design and form no part thereof.

1 Claim, 8 Drawing Sheets



(56)

References Cited

U.S. PATENT DOCUMENTS

D891,386	S *	7/2020	Liu	D14/138	G
D897,978	S *	10/2020	Nam	D14/138	G
D901,488	S *	11/2020	Seo	D14/341	
10,963,014	B1 *	3/2021	Park	H04B 1/3827	
D936,028	S *	11/2021	Yi	D14/138	G
11,194,363	B2 *	12/2021	Kim	G06F 1/1637	
D951,218	S *	5/2022	Han	D14/138	G
D955,357	S *	6/2022	Sun	D14/138	AD
D958,769	S *	7/2022	Ji	D14/138	AD
2010/0273542	A1 *	10/2010	Holman, IV	H04M 1/0237	
					455/575.4	
2019/0346954	A1 *	11/2019	Jung	G06F 1/3209	
2019/0386696	A1 *	12/2019	Luo	H04B 1/3888	
2020/0409421	A1 *	12/2020	Cho	H04M 1/0268	
2022/0104364	A1 *	3/2022	Yang	G06F 1/16	

* cited by examiner

FIG. 1

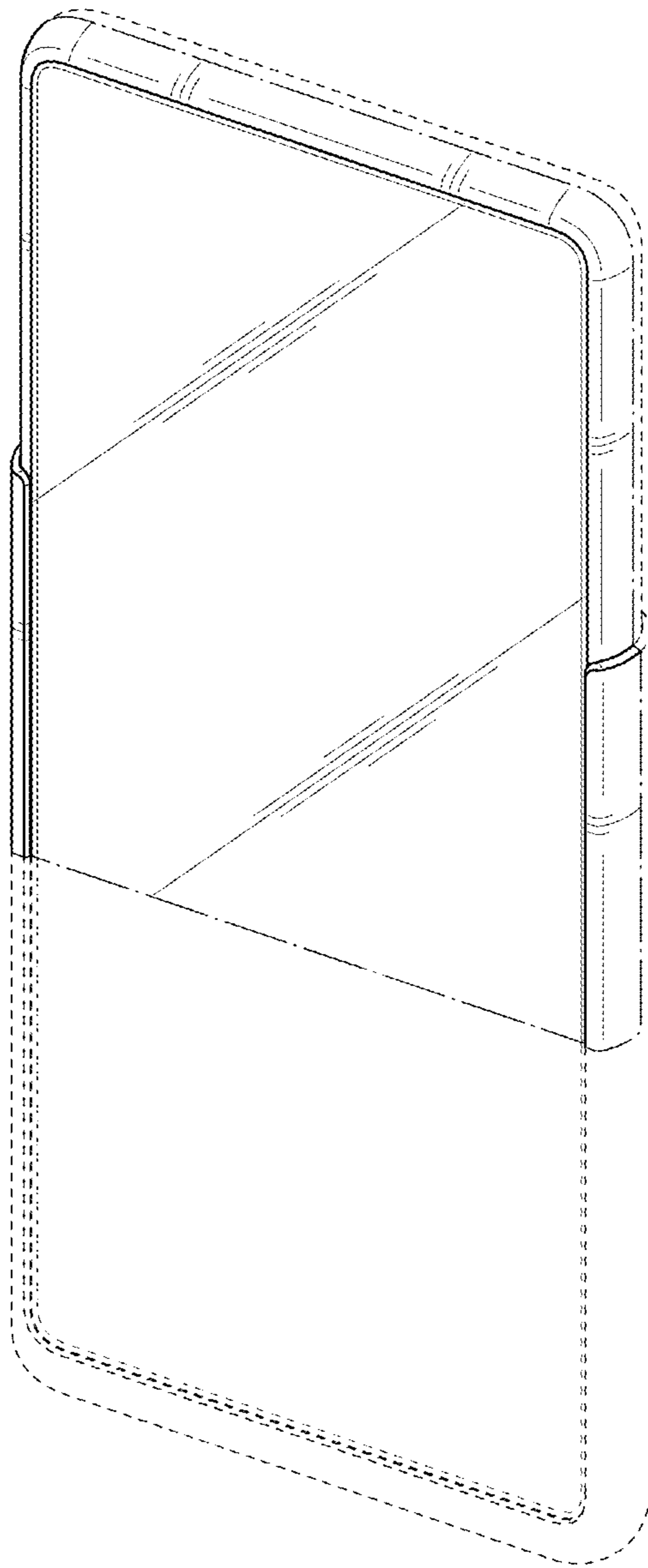


FIG. 2

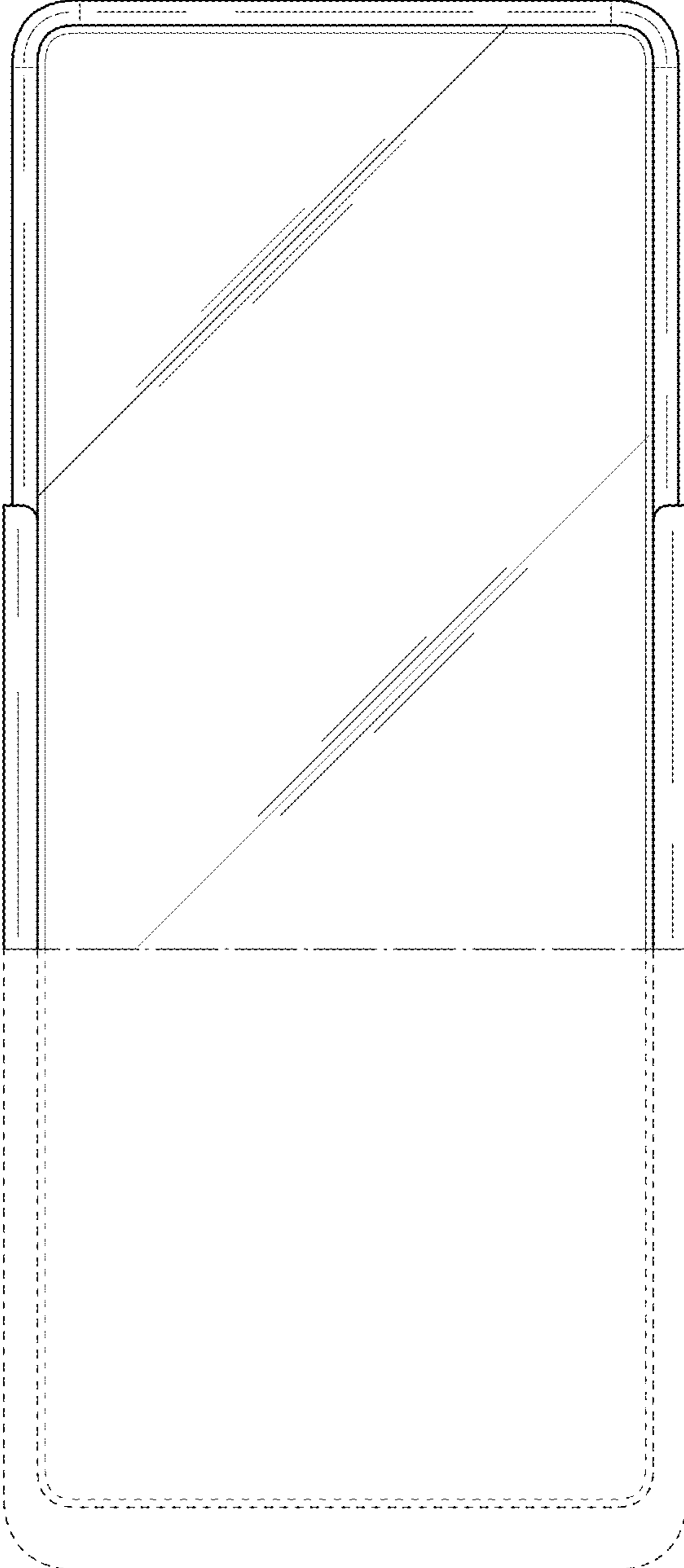


FIG. 3

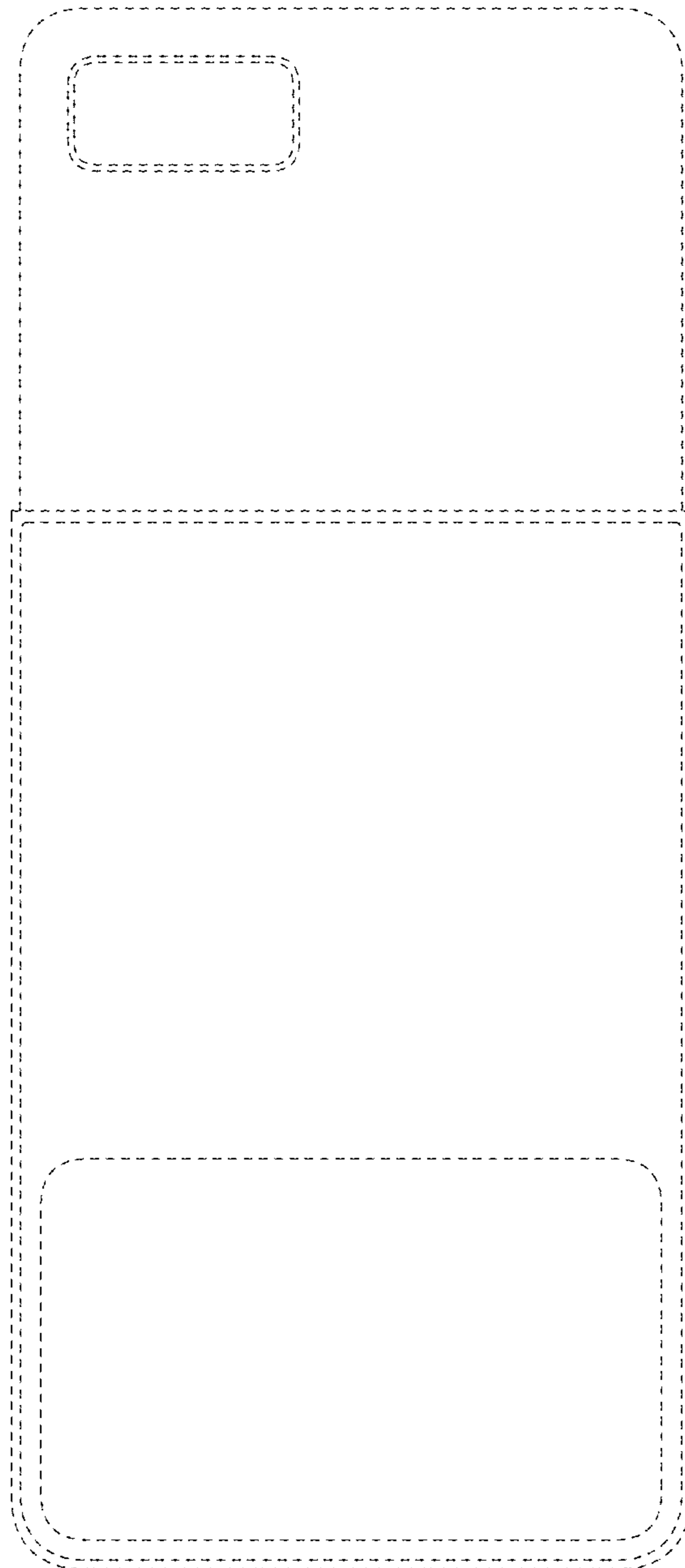


FIG. 4

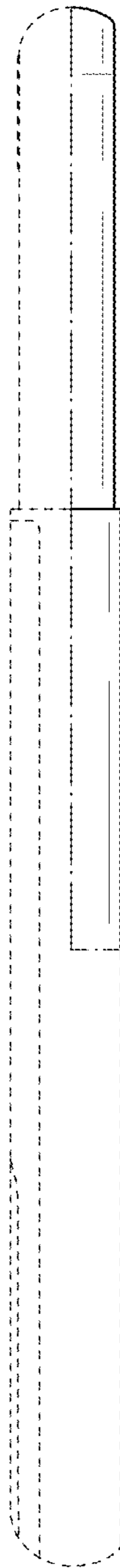


FIG. 5

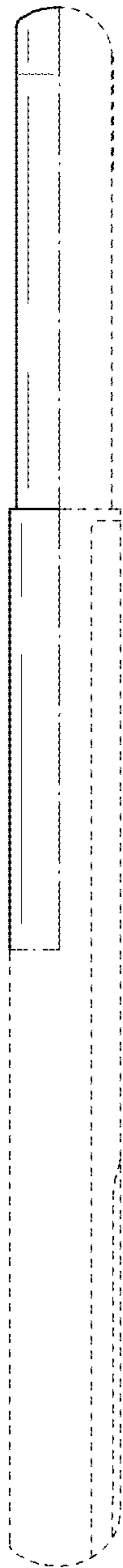


FIG. 6

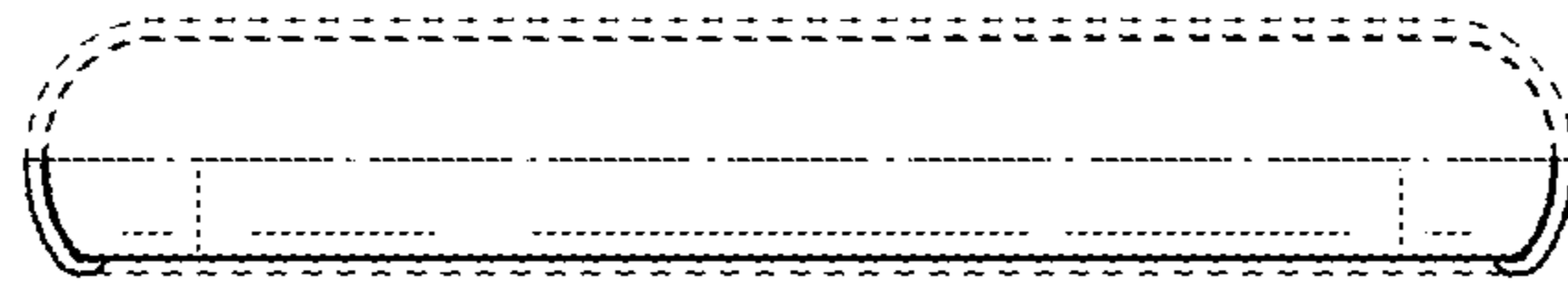


FIG. 7

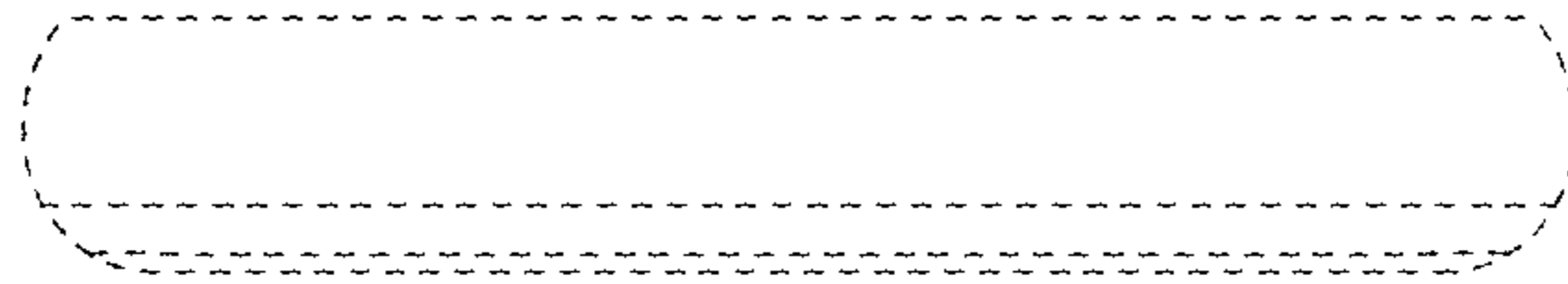


FIG. 8

