



US00D973644S

(12) **United States Design Patent**  
**Kim et al.**

(10) **Patent No.:** **US D973,644 S**

(45) **Date of Patent:** **\*\* Dec. 27, 2022**

(54) **MODULAR 5G FIXED WIRELESS DEVICE WITH BASIC DOCK**

(71) Applicant: **Inseego Corp.**, San Diego, CA (US)

(72) Inventors: **Sean Kim**, San Diego, CA (US); **Pedro Gutierrez**, San Diego, CA (US)

(73) Assignee: **INSEEGO CORP.**, San Diego, CA (US)

(\*\*) Term: **15 Years**

(21) Appl. No.: **29/746,941**

(22) Filed: **Aug. 18, 2020**

(51) **LOC (13) Cl.** ..... **14-03**

(52) **U.S. Cl.**  
USPC ..... **D14/240**

(58) **Field of Classification Search**  
USPC ..... D13/103, 107, 110, 184; D14/137, 155, D14/159, 203.1, 203.3; D27/101, 162  
CPC ..... H04W 88/08; H05K 5/02  
See application file for complete search history.

(56) **References Cited**

**U.S. PATENT DOCUMENTS**

D348,410 S \* 7/1994 Adams ..... D10/104.1  
D479,709 S \* 9/2003 Cocks ..... D13/184

D612,362 S \* 3/2010 Yeo ..... D14/203.7  
D717,260 S \* 11/2014 Kang ..... D14/137  
D827,649 S \* 9/2018 Shim ..... D14/435.1  
D890,760 S \* 7/2020 Menendez ..... D14/434  
2022/0039205 A1\* 2/2022 Donthireddy ..... H04W 88/08

\* cited by examiner

*Primary Examiner* — Khawaja Anwar

*Assistant Examiner* — Megan Tiana Rakos

(74) *Attorney, Agent, or Firm* — Sheppard, Mullin, Richter & Hampton LLP; Hector A. Agdeppa; Daniel N. Yannuzzi

(57) **CLAIM**

The ornamental design for a modular 5G fixed wireless device with basic dock, as shown and described.

**DESCRIPTION**

FIG. 1 is a first perspective view of a modular 5G fixed wireless device with basic dock our new design.

FIG. 2 is a rear view thereof.

FIG. 3 is a front view thereof.

FIG. 4 is a first side view thereof.

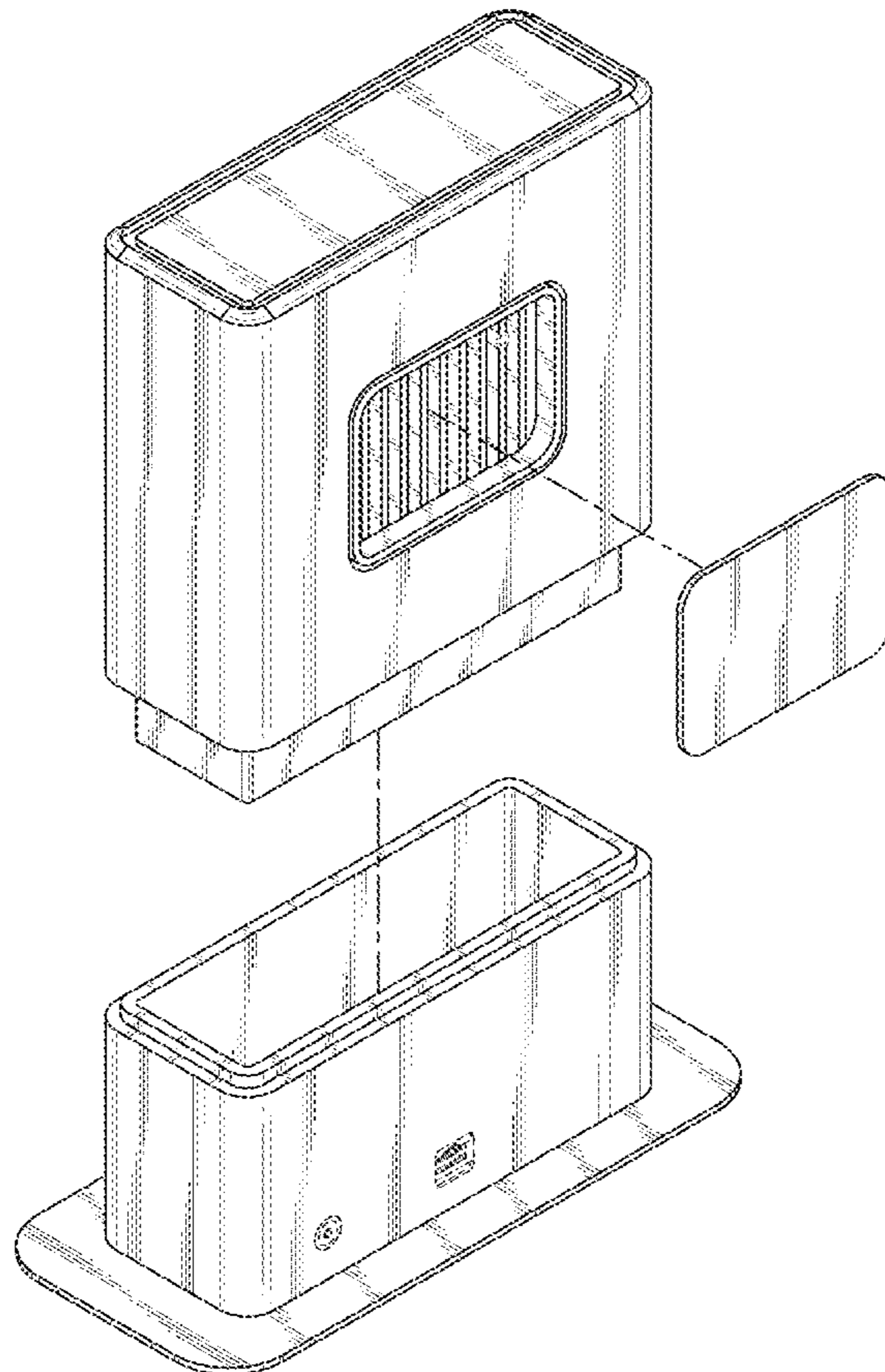
FIG. 5 is a second side view thereof.

FIG. 6 is a top view thereof; and,

FIG. 7 is a bottom view thereof.

The broken line showing of a modular 5G fixed wireless device with basic dock is for the purpose of illustrating portions of the article and forms no part of the claimed design.

**1 Claim, 7 Drawing Sheets**



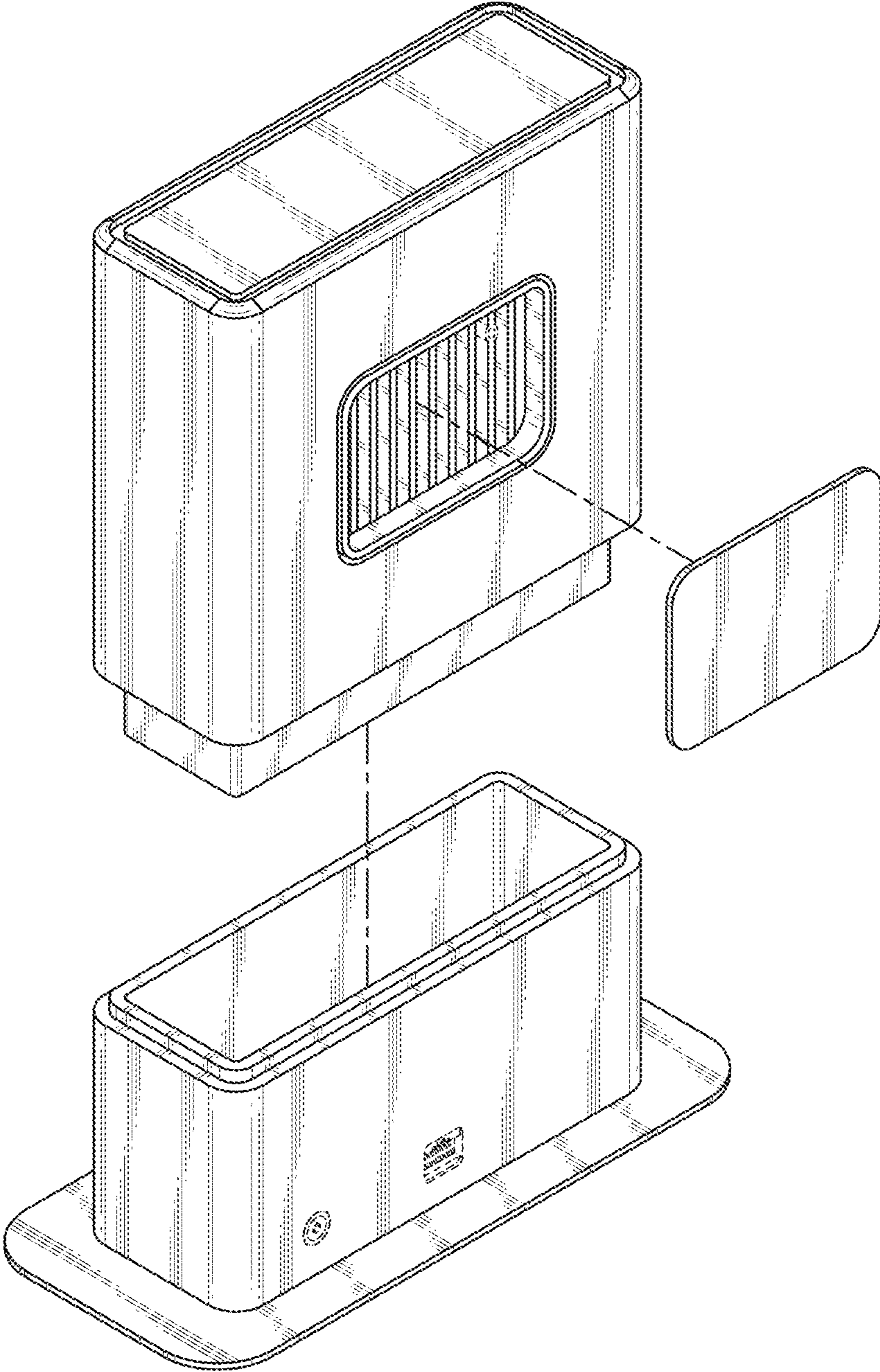


FIG. 1

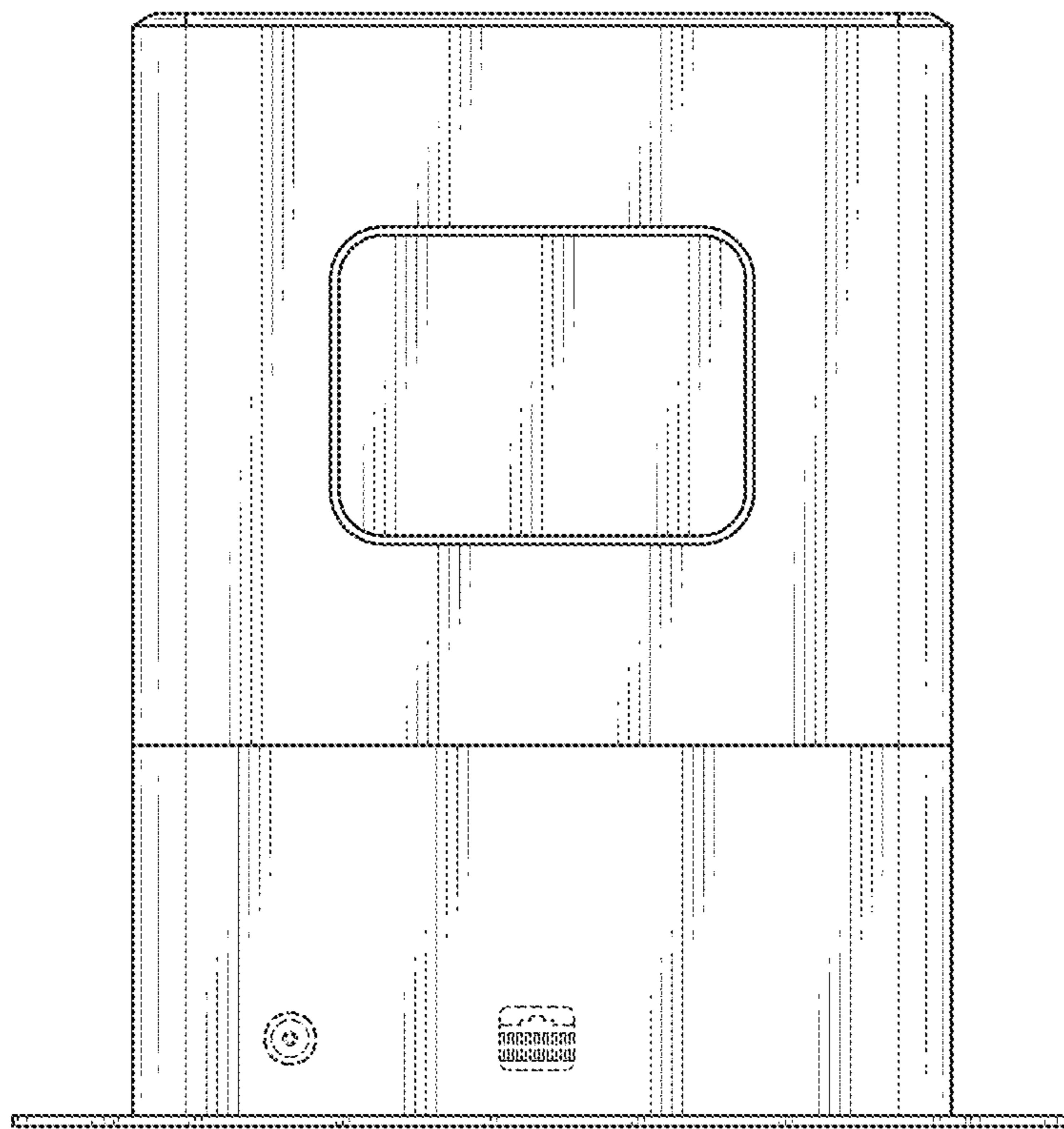


FIG. 2

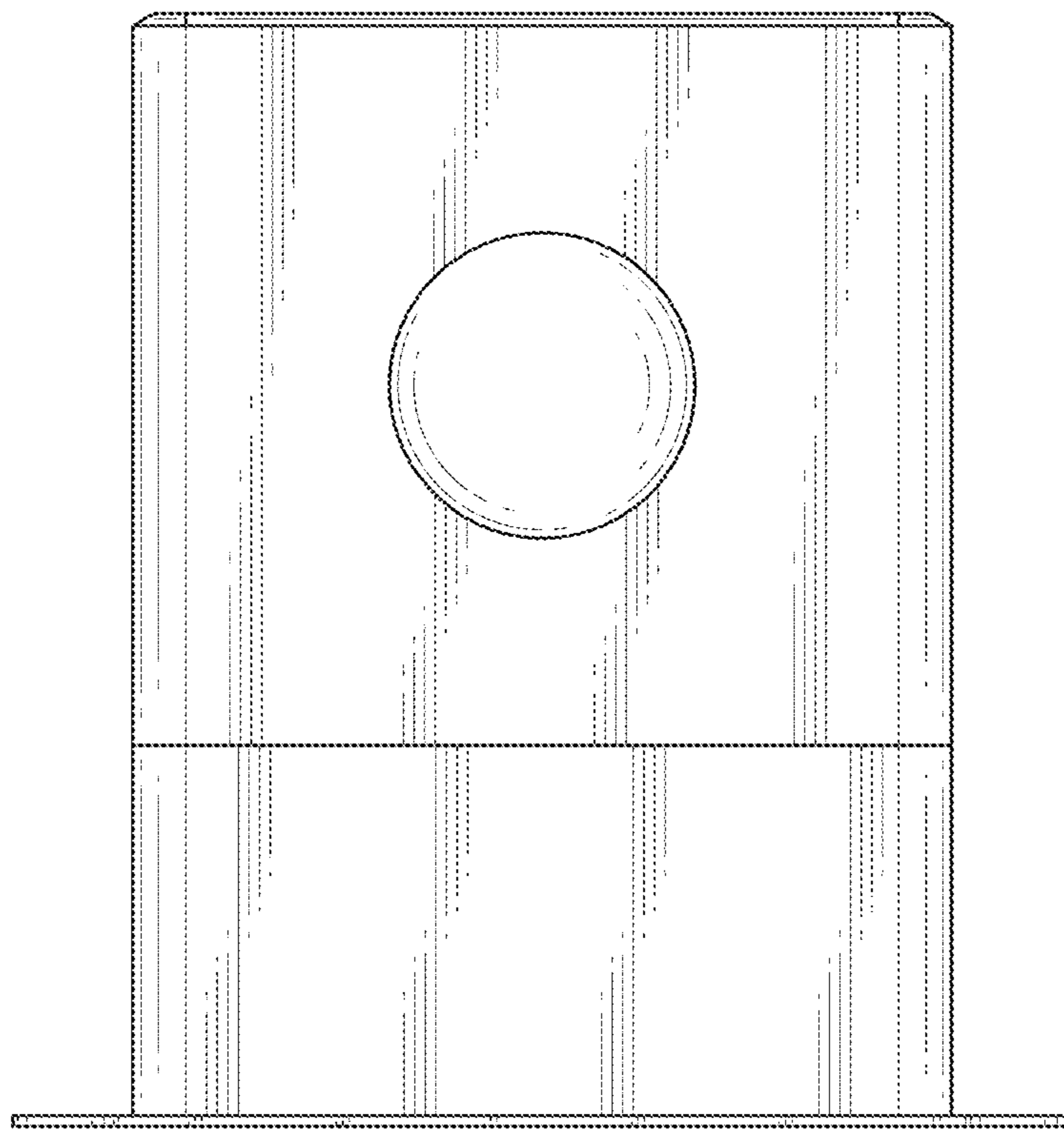


FIG. 3



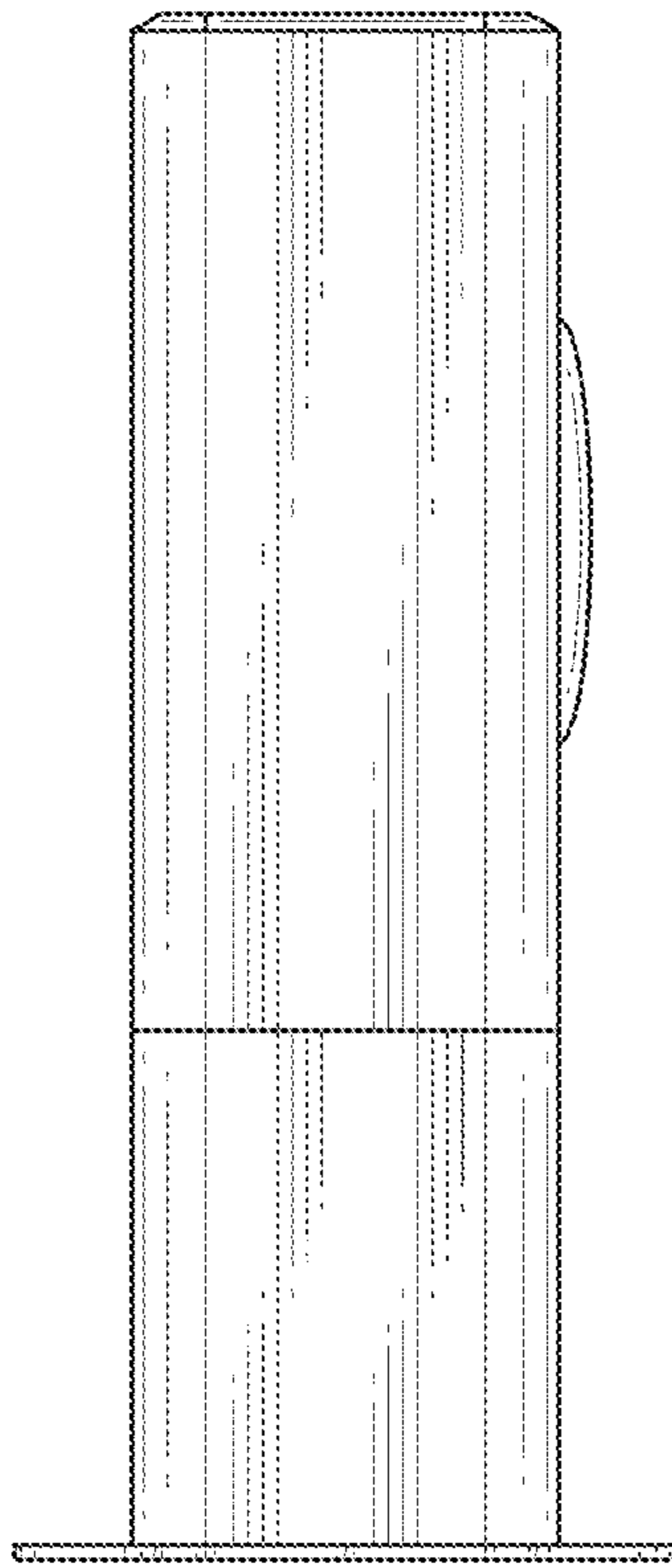


FIG. 4

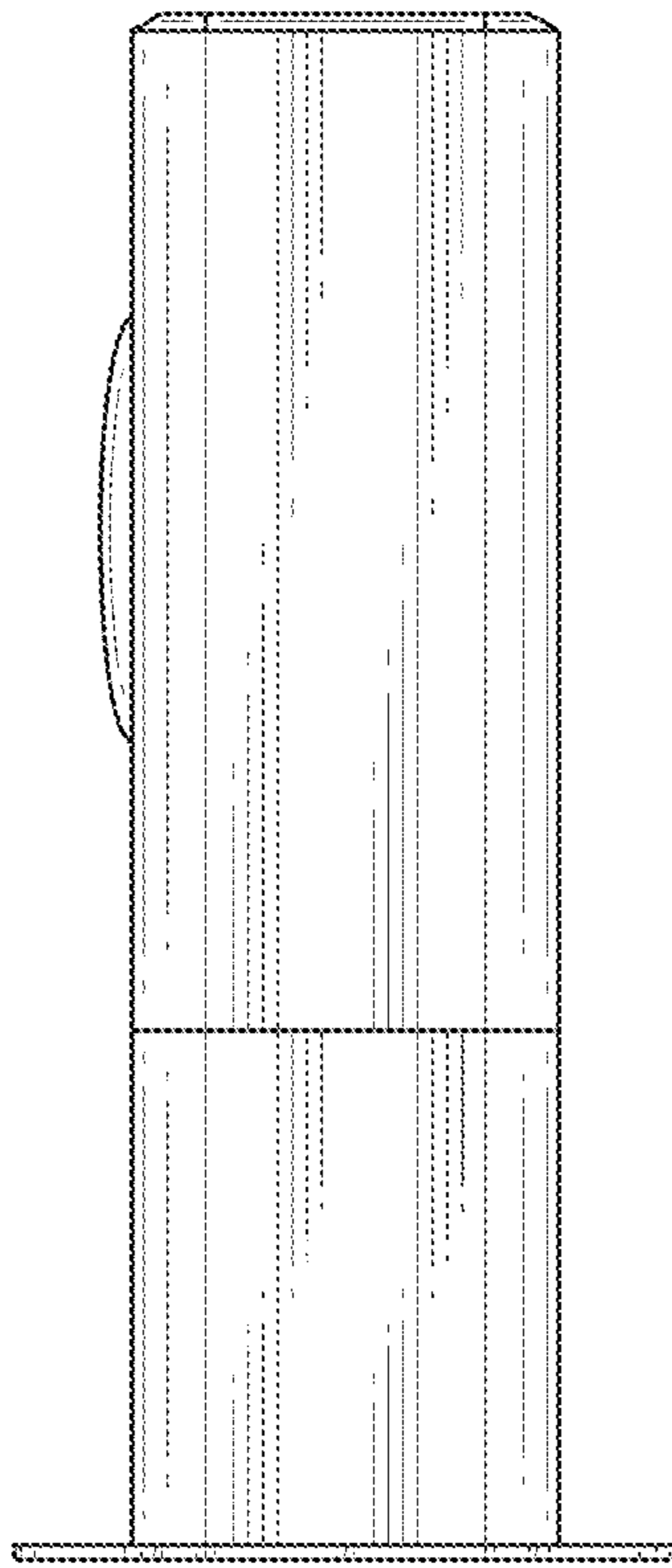


FIG. 5

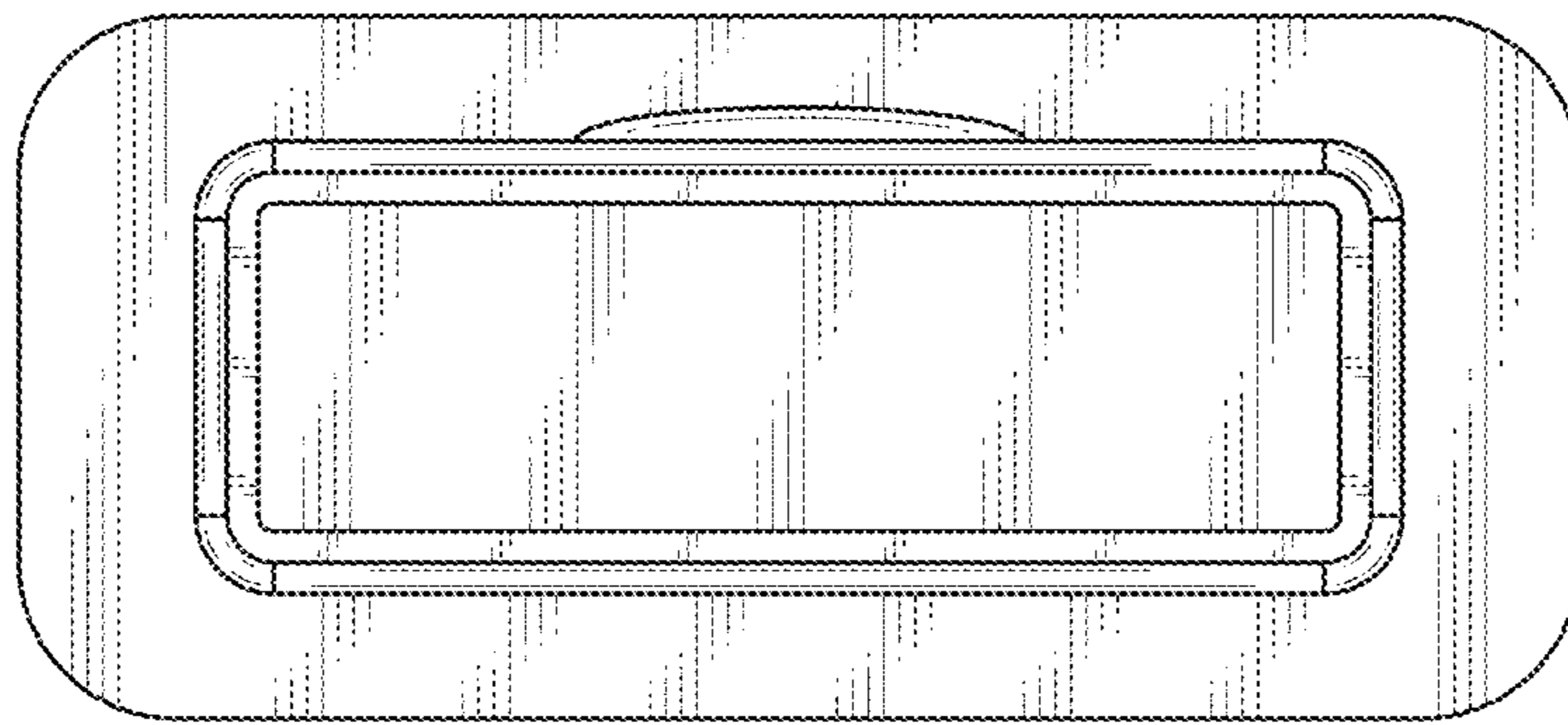


FIG. 6

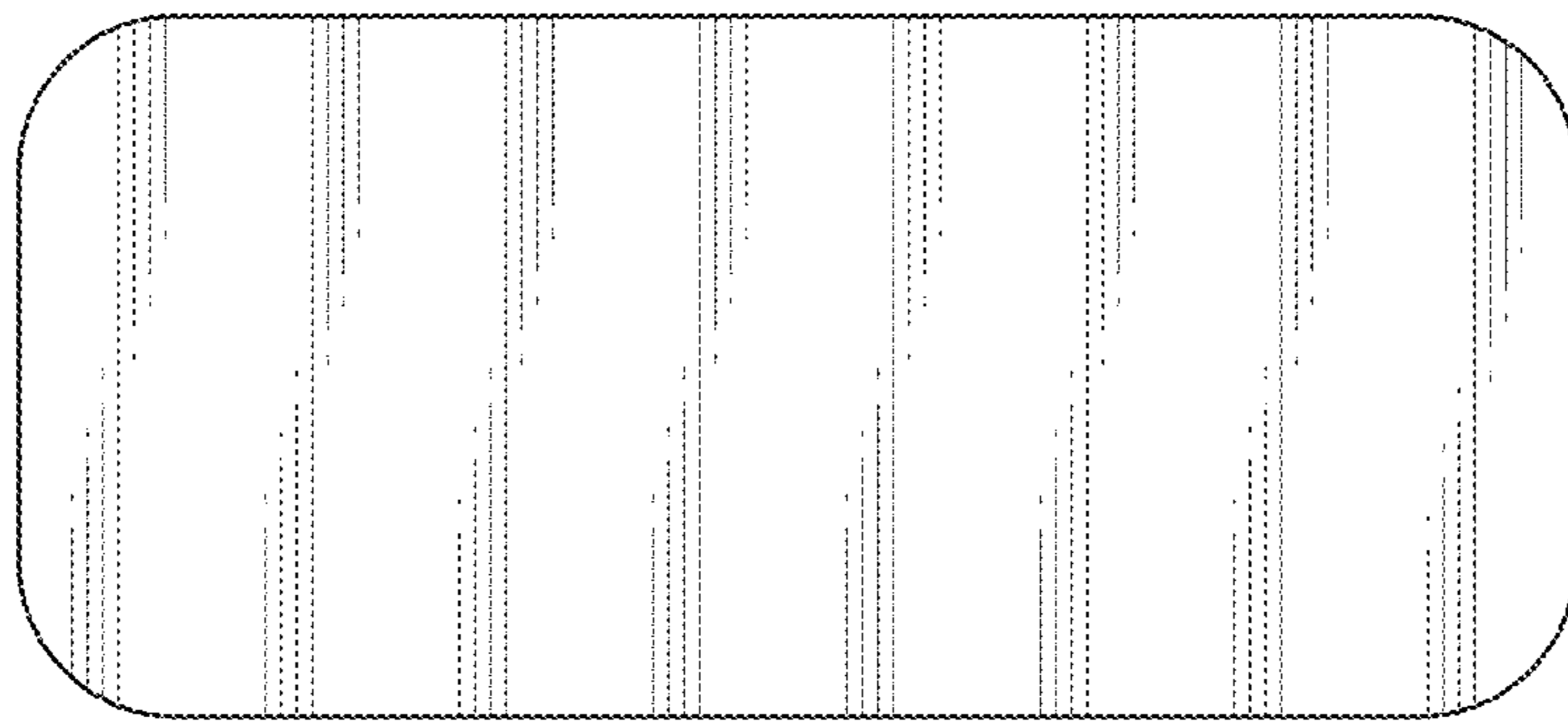


FIG. 7