



US00D973643S

(12) **United States Design Patent** (10) **Patent No.:** **US D973,643 S**
Wang et al. (45) **Date of Patent:** **** Dec. 27, 2022**

(54) **HANDHELD MICROPHONE BOOM POLE**

FOREIGN PATENT DOCUMENTS

(71) Applicant: **Shenzhen Xingyingda Industry Co., Ltd.**, Shenzhen (CN)

CN 3166356 * 11/2000
GB 9008166888-0001 * 9/2020

(72) Inventors: **Jun Wang**, Shenzhen (CN); **Yan Ke**, Shenzhen (CN)

Primary Examiner — Paula Allen Greene
(74) *Attorney, Agent, or Firm* — Westbridge IP LLC

(73) Assignee: **Shenzhen Xingyingda Industry Co., Ltd.**, Shenzhen (CN)

(57) **CLAIM**

The ornamental design for a handheld microphone boom pole, as shown and described.

(**) Term: **15 Years**

DESCRIPTION

(21) Appl. No.: **29/849,227**

FIG. 1 is a top and front perspective view of a handheld microphone boom pole showing our new design; FIG. 2 is a bottom and rear perspective view thereof; FIG. 3 is a front elevation view thereof; FIG. 4 is a rear elevation view thereof; FIG. 5 is a left side elevation view thereof; FIG. 6 is a right side elevation view thereof; FIG. 7 is a top plan view thereof; FIG. 8 is a bottom plan view thereof; FIG. 9 is a partial enlarged view taken from square 9 in FIG. 1;

(22) Filed: **Aug. 9, 2022**

(51) **LOC (13) Cl.** **14-01**

(52) **U.S. Cl.**
USPC **D14/229**

(58) **Field of Classification Search**
USPC D14/229, 225, 217; D8/107; D16/132; 16/429; 403/328, 378, 109.5; 248/123.2; 381/362; 211/105.3
CPC F16B 7/14; F16B 2/18; B25G 1/04; B25B 23/16
See application file for complete search history.

FIG. 10 is a partial enlarged view taken from square 10 in FIG. 2; FIG. 11 is a partial enlarged view taken from square 11 in FIG. 2; FIG. 12 is a top and front perspective view thereof in another position; FIG. 13 is a partial enlarged view taken from square 13 in FIG. 12; FIG. 14 is an enlarged view of FIG. 7; and, FIG. 15 is an enlarged view of FIG. 8.

(56) **References Cited**

U.S. PATENT DOCUMENTS

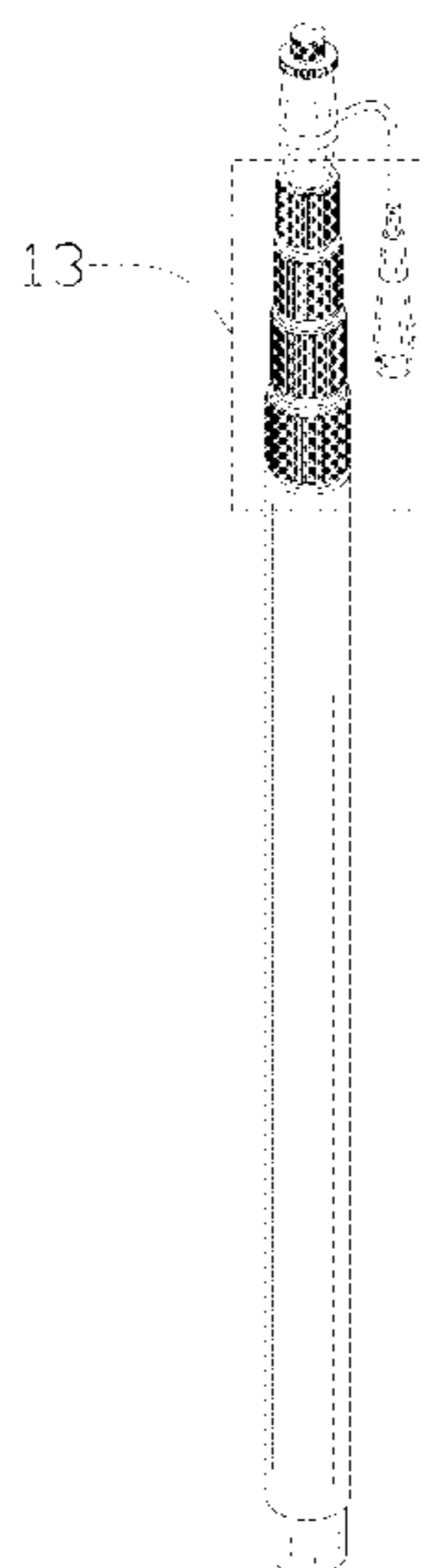
1,109,513 A * 9/1914 Cooke A01K 87/02
403/109.8
1,942,925 A * 1/1934 Jenkins H04R 1/08
381/362
2,319,992 A * 5/1943 Hubbard B25G 1/04
294/174
2,606,050 A * 8/1952 Morris A01G 20/30
403/328
3,008,742 A * 11/1961 Goldstein F21V 21/10
248/161

The dash-dash broken lines in the drawings depict the portions of the handheld microphone boom pole which form no part of the claimed design.

The dot dash broken line around portions of the handheld microphone boom pole in FIGS. 1, 2 and 12 and illustrated in the enlarged views of FIGS. 9 through 13 form no part of the claimed design.

(Continued)

1 Claim, 15 Drawing Sheets



(56)

References Cited

U.S. PATENT DOCUMENTS

3,284,103 A * 11/1966 Polzin F16H 57/025
403/388
3,384,408 A * 5/1968 Furzey H01F 7/0257
D8/14
3,682,516 A * 8/1972 Savage B25G 3/30
403/189
3,887,155 A * 6/1975 Bertalot F21V 21/22
248/188.5
4,659,125 A * 4/1987 Chuan A63B 47/02
403/104
4,793,646 A * 12/1988 Michaud, Jr. B63B 21/54
114/221 R
4,905,548 A * 3/1990 Colace B25B 23/0021
81/177.2
5,220,707 A * 6/1993 Newman, Sr. B05C 17/0205
403/103
5,316,264 A * 5/1994 Newman, Sr. F16L 27/127
285/302
D351,015 S * 9/1994 Caceres D23/213
D354,554 S * 1/1995 Newman, Sr D23/266
5,460,458 A * 10/1995 Caceres F16B 7/1427
403/109.5
5,593,239 A * 1/1997 Sallee E04H 12/182
403/377
5,692,856 A * 12/1997 Newman, Jr. B25G 1/04
403/109.5
5,694,695 A * 12/1997 Lund B25G 1/04
30/296.1
5,743,577 A * 4/1998 Newman, Jr. B25J 1/04
403/109.1
5,799,996 A * 9/1998 Fredrickson A01B 1/20
294/51
5,887,314 A * 3/1999 Jordan, Jr. A47L 13/12
15/144.3
5,983,455 A * 11/1999 Polzin B25G 1/04
15/144.4

6,045,288 A * 4/2000 Pasternak F16B 7/14
403/104
6,142,699 A * 11/2000 Pao F16B 7/1454
403/109.5
6,182,539 B1 * 2/2001 Webster B25B 23/0021
81/177.2
6,254,305 B1 * 7/2001 Taylor B25G 3/26
403/109.1
D447,472 S 9/2001 McGugan
6,453,777 B1 * 9/2002 Newman B25B 11/007
81/53.11
6,701,574 B2 * 3/2004 Hashim E05F 1/1276
16/370
6,701,578 B1 * 3/2004 Lu B25G 1/04
16/436
6,883,264 B1 * 4/2005 Gimbel A01K 81/04
43/6
D519,820 S * 5/2006 Newman D8/107
D519,990 S 5/2006 Lazor
7,237,305 B2 * 7/2007 Newman B25G 1/04
16/427
D617,781 S 6/2010 Kallas et al.
D625,573 S * 10/2010 Bonzer D8/107
D644,907 S * 9/2011 Blanchard D8/107
D644,908 S * 9/2011 Blanchard D8/107
8,091,606 B2 * 1/2012 Nien E06B 9/322
160/176.1 R
D653,931 S * 2/2012 Blanchard D8/107
D670,150 S * 11/2012 Angel D8/107
8,422,716 B2 * 4/2013 Wetzel F16B 7/14
403/109.5
D712,945 S * 9/2014 Brucksch D16/132
D715,273 S * 10/2014 Holmen D14/229
D801,315 S * 10/2017 Kallas D14/229
D866,534 S 11/2019 Horton
D952,613 S 5/2022 Wu
2004/0154525 A1 * 8/2004 Wirth B64F 1/20
116/1
2008/0253600 A1 * 10/2008 Wetzel F16M 11/28
381/362

* cited by examiner

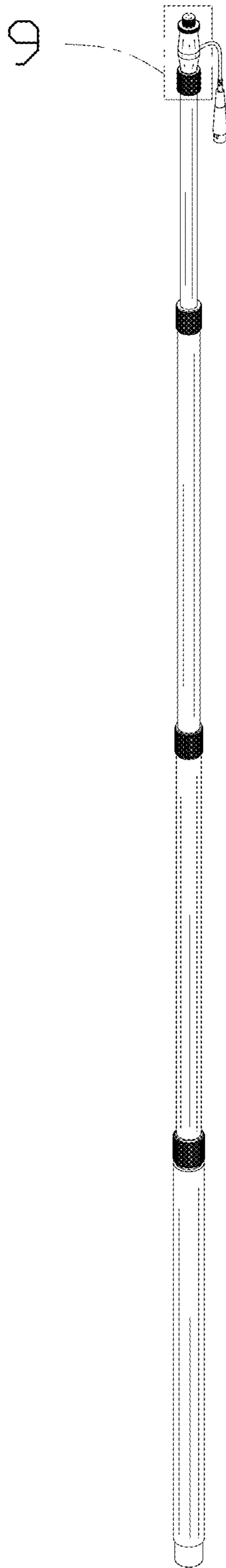


FIG. 1

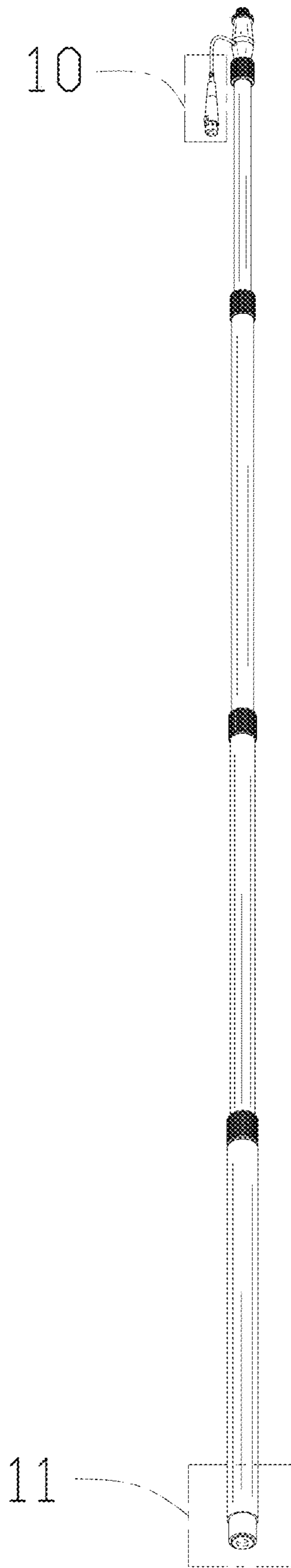


FIG. 2

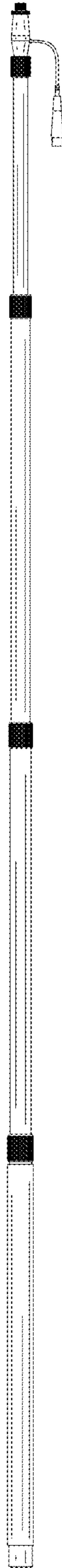


FIG. 3

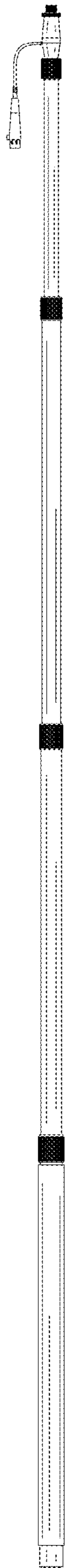


FIG. 4

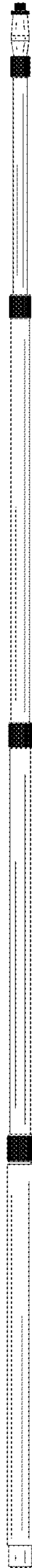


FIG. 5

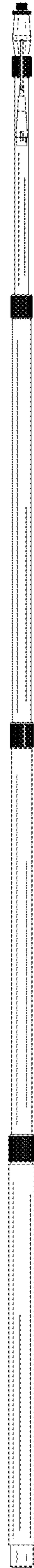


FIG. 6



FIG. 7

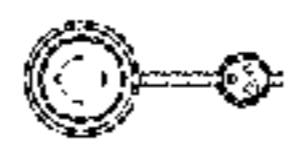


FIG. 8

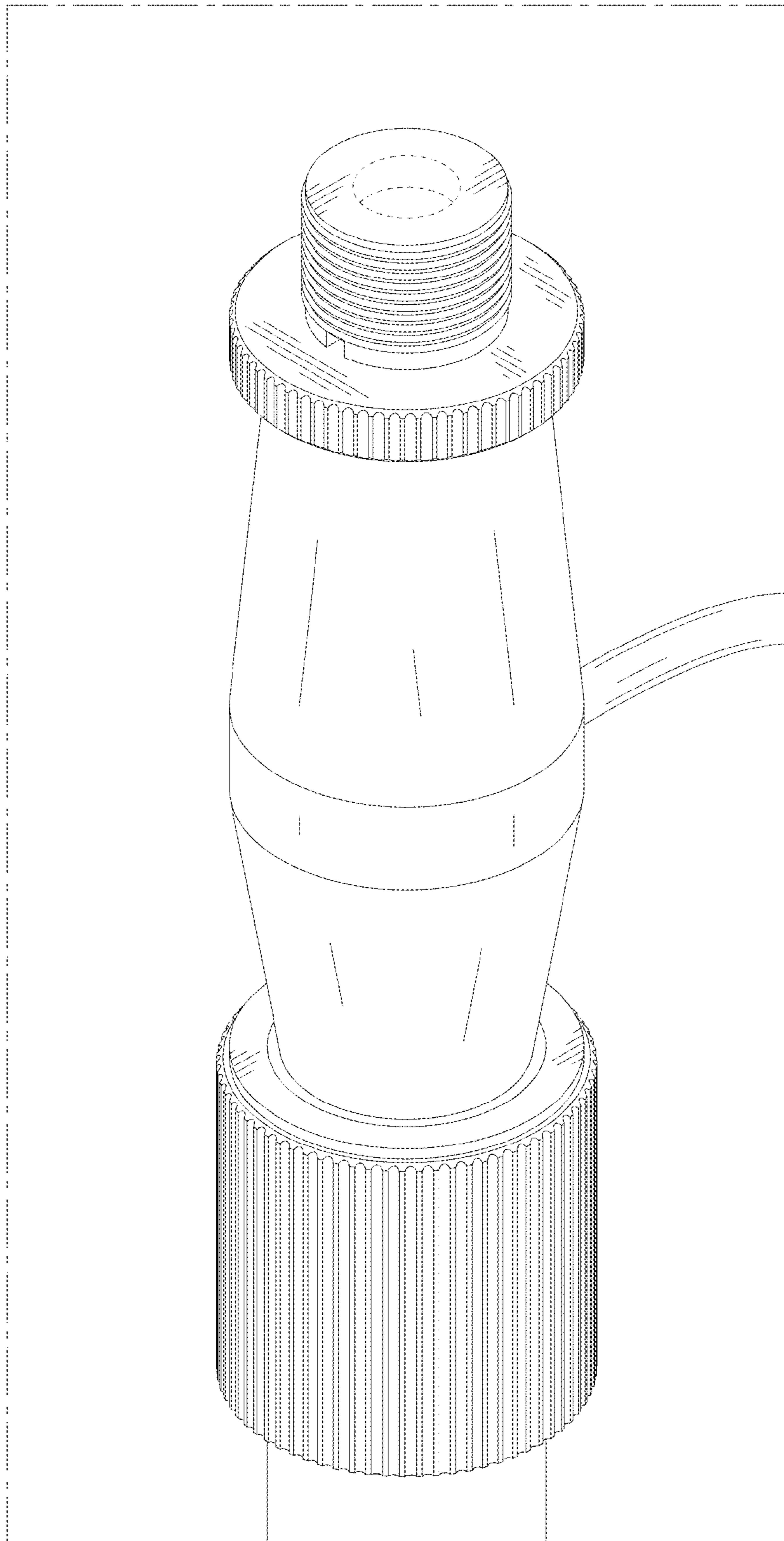


FIG. 9

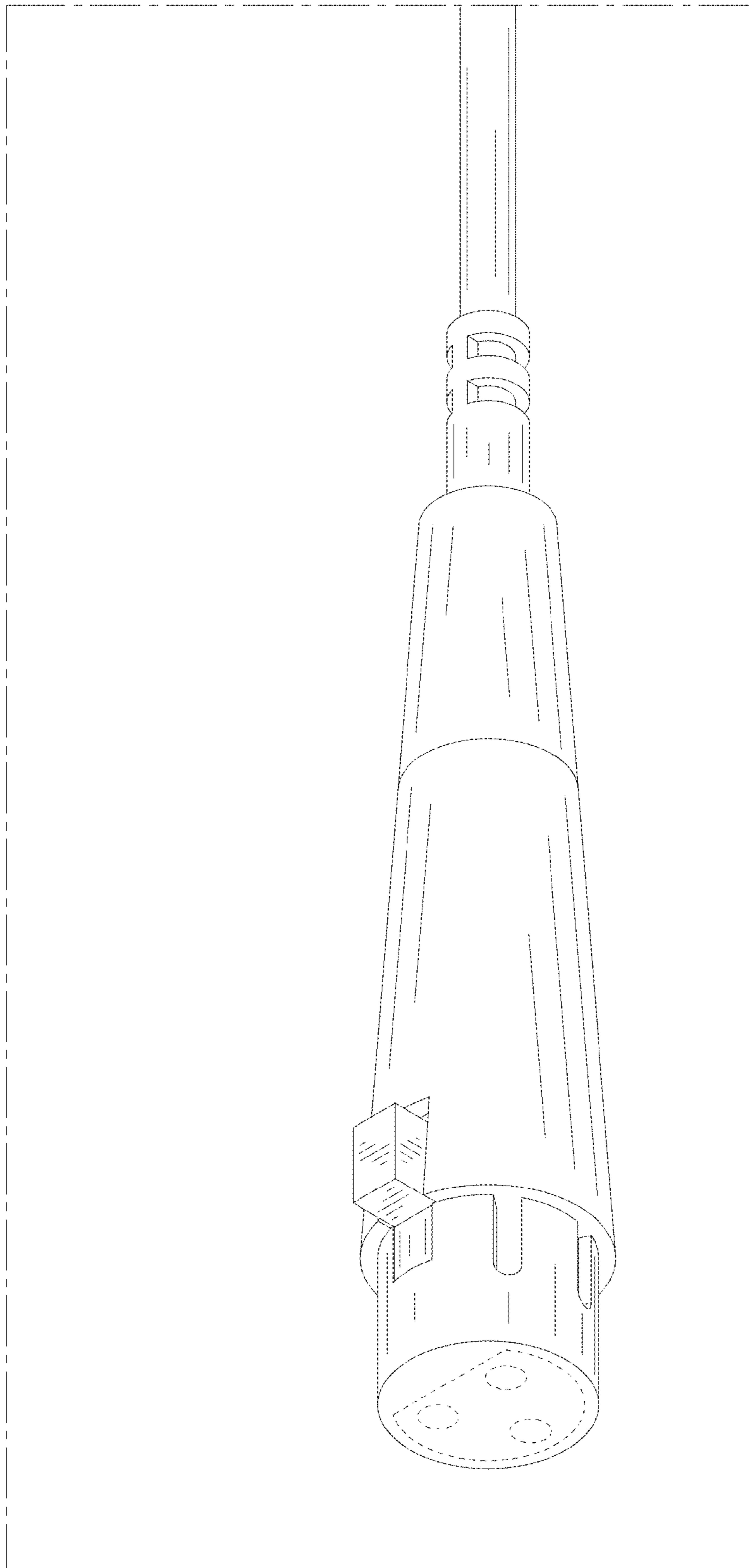


FIG. 10

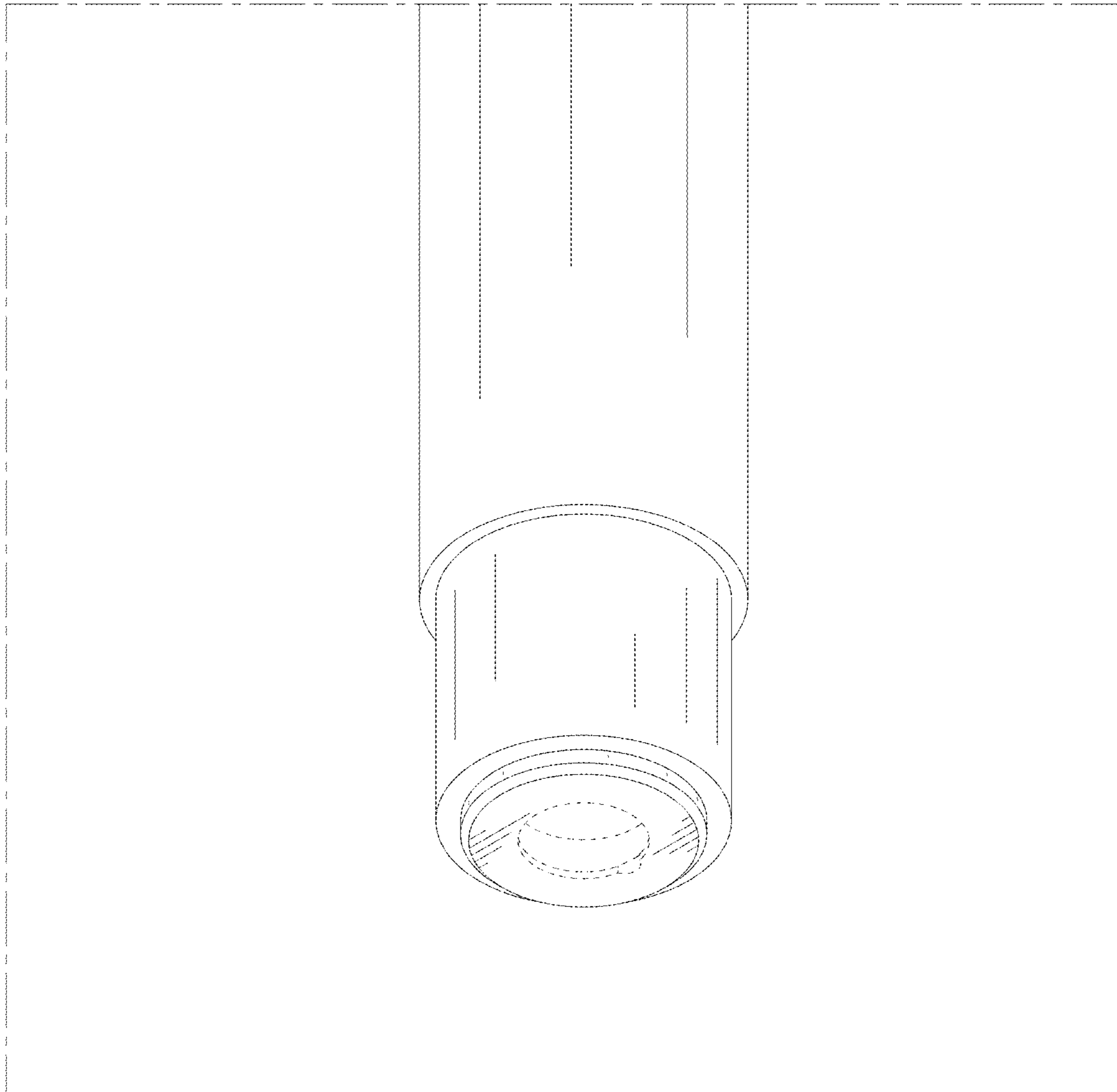


FIG. 11

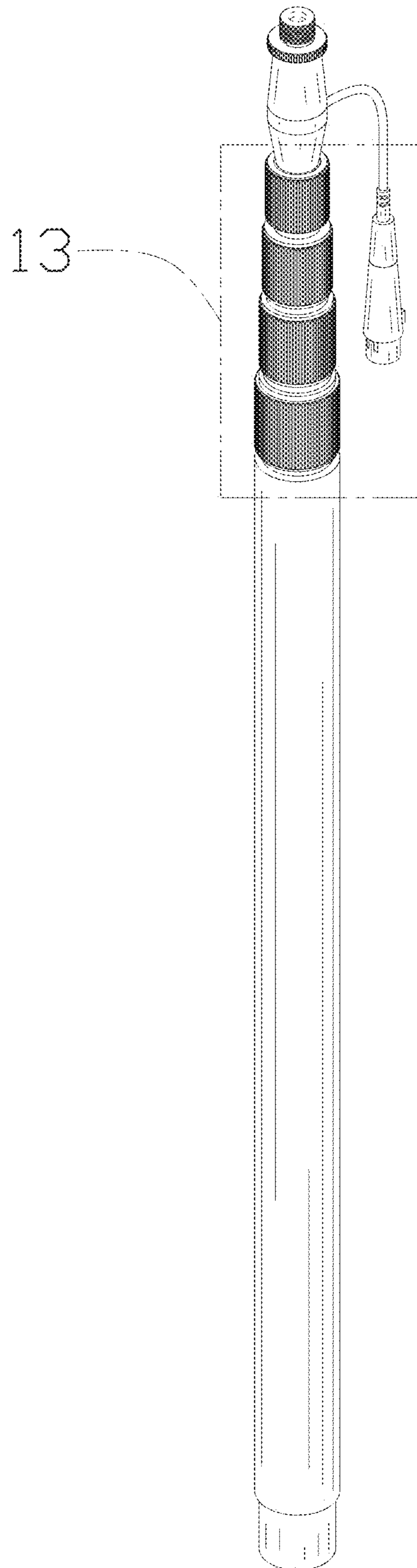


FIG. 12

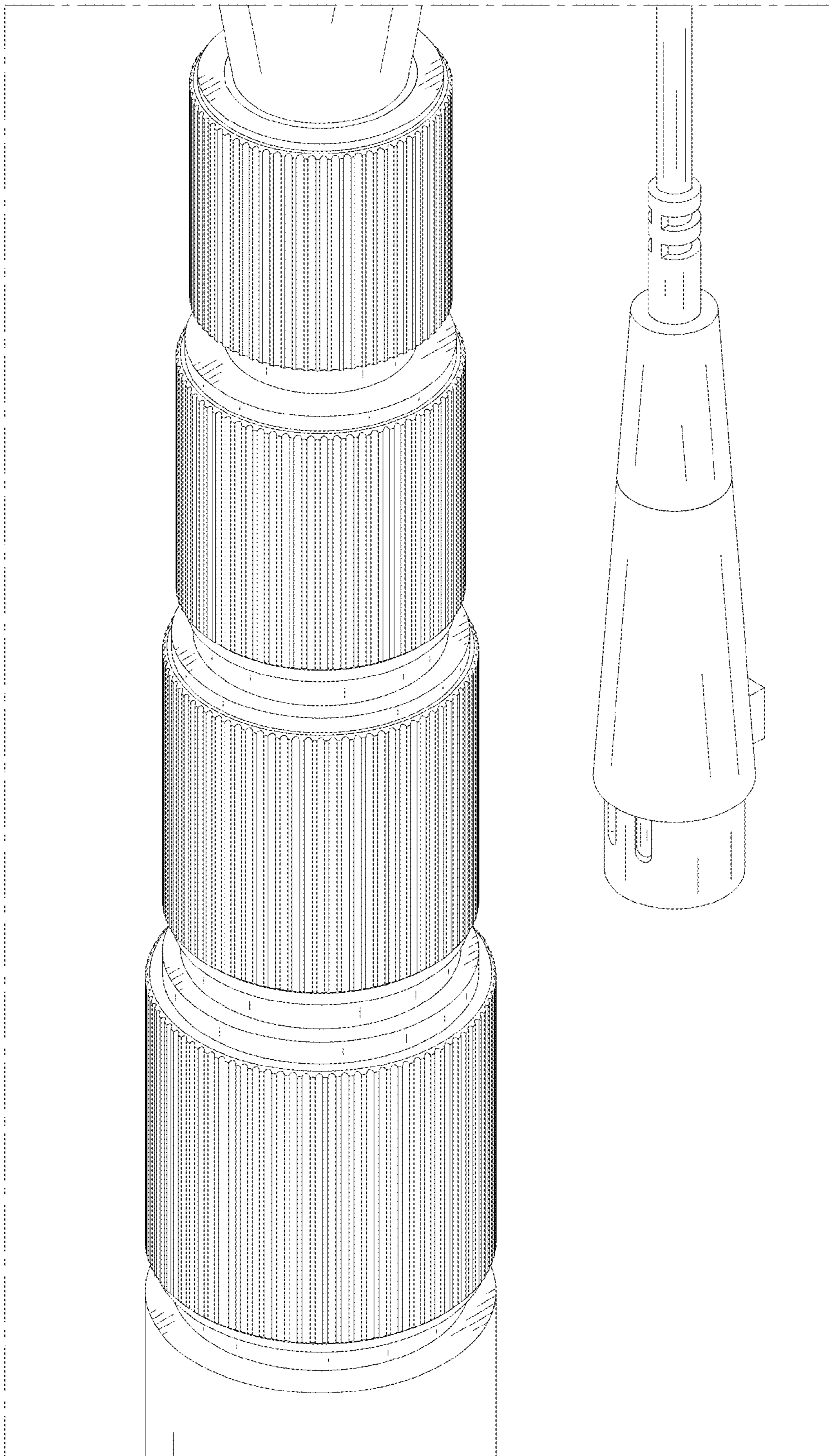


FIG. 13

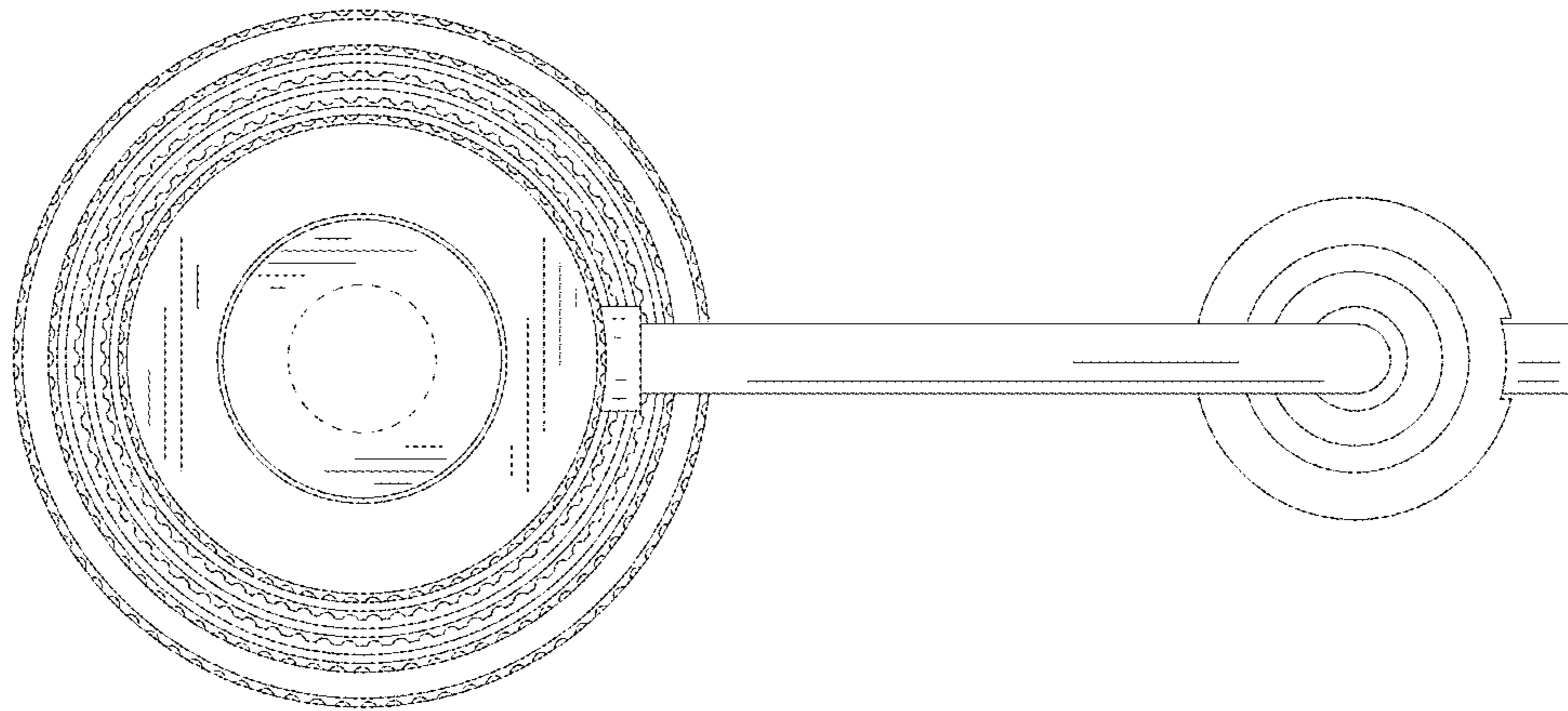


FIG. 14

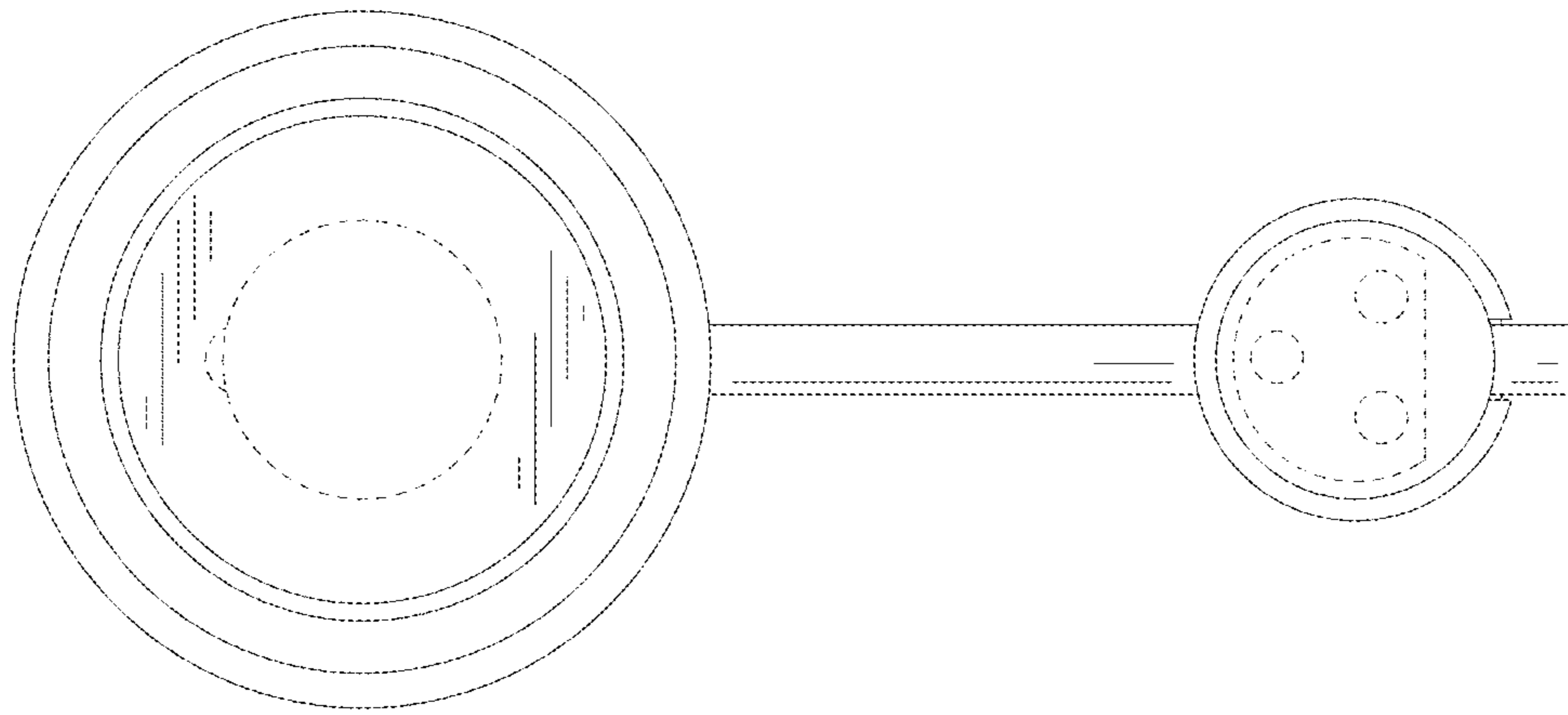


FIG. 15