



US00D973642S

(12) **United States Design Patent**
Wang et al.

(10) **Patent No.:** **US D973,642 S**
(45) **Date of Patent:** **** Dec. 27, 2022**

- (54) **MICROPHONE STAND**
- (71) Applicant: **Shenzhen Xingyingda Industry Co., Ltd.**, Shenzhen (CN)
- (72) Inventors: **Jun Wang**, Shenzhen (CN); **Yan Ke**, Shenzhen (CN)
- (73) Assignee: **Shenzhen Xingyingda Industry Co., Ltd.**, Shenzhen (CN)
- (**) Term: **15 Years**
- (21) Appl. No.: **29/845,853**
- (22) Filed: **Jul. 11, 2022**
- (51) **LOC (13) Cl.** **14-01**
- (52) **U.S. Cl.**
USPC **D14/229**
- (58) **Field of Classification Search**
USPC D14/229, 225, 452; D6/680.2; D8/396;
248/278.1, 276.1, 284.1; 362/414, 419;
D26/60, 61, 65, 145; 381/368
CPC .. E04G 3/00; H05K 7/00; F16M 13/02; A47F
5/00; F21V 21/22; F21V 21/26; H04R
11/04
See application file for complete search history.

3,543,019 A * 11/1970 Jacobsen F16M 11/10
362/413
D264,634 S * 5/1982 Okuno D26/65
D275,431 S * 9/1984 Usab D14/452
(Continued)

FOREIGN PATENT DOCUMENTS

EM 009144504-0002 * 8/2022
KR 301161634.0000 * 4/2022

Primary Examiner — Paula Allen Greene
(74) *Attorney, Agent, or Firm* — Westbridge IP LLC

(57) **CLAIM**

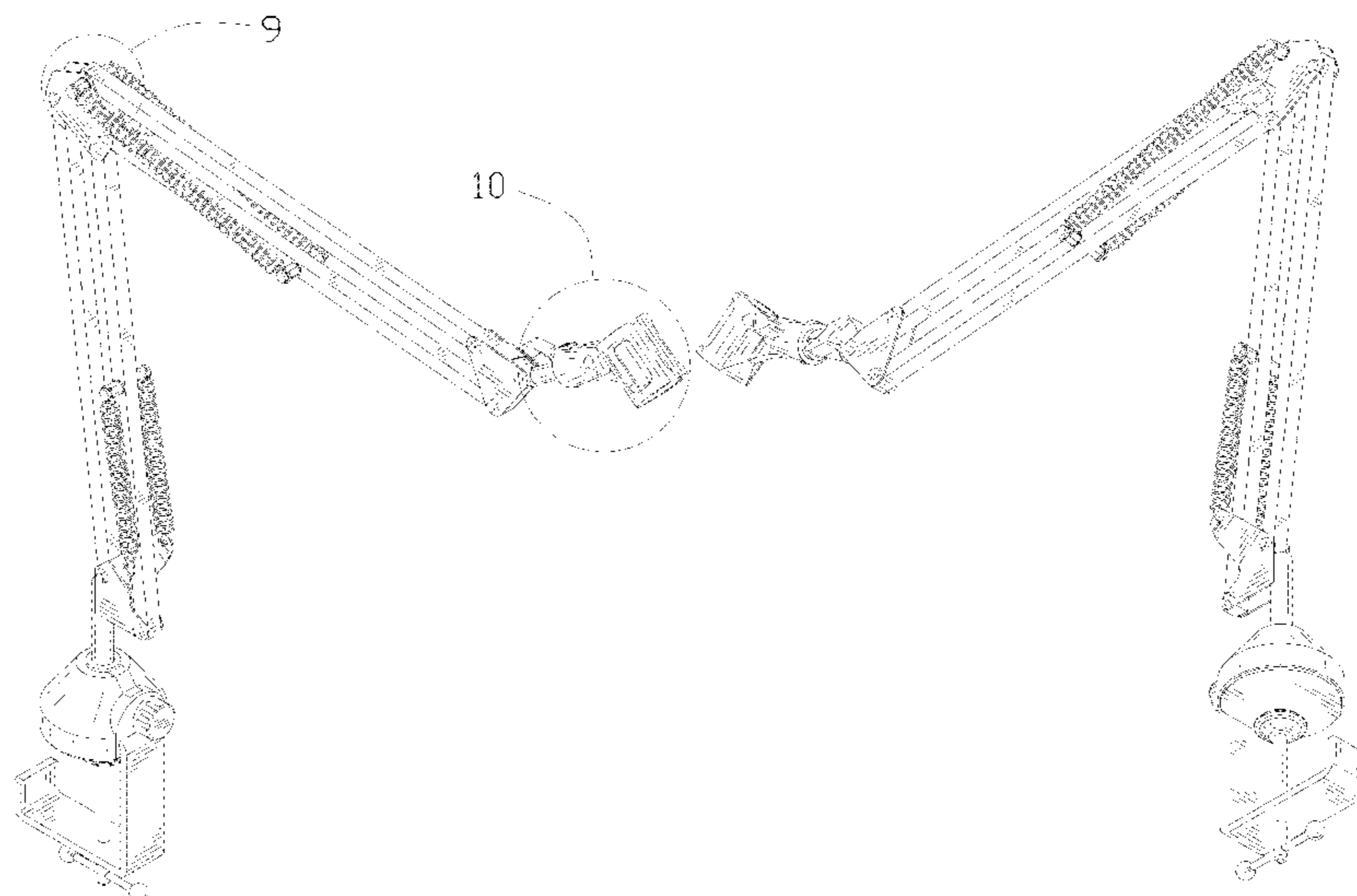
The ornamental design for a microphone stand, as shown and described.

DESCRIPTION

FIG. 1 is a top perspective view of a microphone stand showing our new design;
FIG. 2 is a bottom perspective view thereof;
FIG. 3 is a front elevation view thereof;
FIG. 4 is a rear elevation view thereof;
FIG. 5 is a left side elevation view thereof;
FIG. 6 is a right side elevation view thereof;
FIG. 7 is a top plan view thereof;
FIG. 8 is a bottom plan view thereof;
FIG. 9 is a partial enlarged view taken from circle 9 in FIG. 1;
FIG. 10 is a partial enlarged view taken from circle 10 in FIG. 1; and,
FIG. 11 is a partial enlarged view taken from circle 11 in FIG. 7.
The dot dash broken lines encircling portions of the microphone stand in FIGS. 1 and 7 and illustrated in enlarged views of FIGS. 9, 10, and 11 form no part of the claimed design.
The dot-dash broken lines in the drawings are included for the purpose of depicting the partial enlarged views.

1 Claim, 11 Drawing Sheets

- (56) **References Cited**
U.S. PATENT DOCUMENTS
1,255,185 A * 2/1918 Lehmkuhl F16M 13/02
248/282.1
1,845,931 A * 2/1932 Pace E04F 10/0637
248/278.1
D135,479 S * 4/1943 Hopkins D26/65
2,466,722 A * 4/1949 May F21V 21/26
248/278.1
2,605,069 A * 7/1952 Gillaspay A61J 9/0638
248/278.1
3,041,060 A * 6/1962 Jacobsen F16M 11/10
267/173
3,417,953 A * 12/1968 Hillquist F16M 11/2092
248/586



(56)

References Cited

U.S. PATENT DOCUMENTS

4,545,555 A * 10/1985 Koch F16M 11/10
248/280.11
4,852,842 A * 8/1989 O'Neill F16M 11/2092
29/525.02
4,953,822 A * 9/1990 Sharber F16M 11/24
248/281.11
D312,771 S * 12/1990 Pelletier D8/373
5,154,381 A * 10/1992 Malinao H04R 1/08
403/299
5,170,975 A * 12/1992 Chadwick F16M 11/2064
403/53
5,275,364 A * 1/1994 Burger F16L 3/00
396/428
5,339,233 A * 8/1994 Yang F16M 11/10
362/426
D378,859 S * 4/1997 Yumita D26/65
D379,544 S * 5/1997 Yumita D26/65
D394,913 S * 6/1998 Chan D26/65
5,799,917 A * 9/1998 Li F16M 13/022
248/921
D435,852 S * 1/2001 Oddsen, Jr. D14/452
6,349,905 B1 * 2/2002 Mills F16M 11/28
248/278.1
6,394,403 B1 * 5/2002 Hung F16M 13/022
248/278.1
6,478,275 B1 * 11/2002 Huang G09F 3/00
248/278.1
D471,665 S * 3/2003 Huang D26/145
6,592,090 B1 * 7/2003 Li F16M 13/00
248/921
D494,183 S * 8/2004 Wills D14/452
D495,240 S * 8/2004 Mních D8/355
6,769,657 B1 * 8/2004 Huang F16M 13/022
248/278.1
6,896,230 B2 * 5/2005 Cvek F16M 11/10
248/276.1
D506,385 S * 6/2005 Brown D8/394
D508,917 S * 8/2005 Wills D14/452
D519,990 S * 5/2006 Lazor D14/229
D537,323 S * 2/2007 Saez D14/452
7,188,812 B2 * 3/2007 Wang F16M 11/2064
248/922
7,207,537 B2 * 4/2007 Hung F16M 13/02
248/920
D563,396 S * 3/2008 Probst D14/228
D570,853 S * 6/2008 Derry D14/452
D577,731 S * 9/2008 Altonji D14/452

7,510,155 B2 * 3/2009 Huang F16M 11/2014
248/278.1
D618,222 S * 6/2010 Kallas D14/229
7,726,616 B2 * 6/2010 Zhang F16M 11/2021
248/920
7,810,773 B2 * 10/2010 Chi F16M 11/24
248/920
D631,052 S * 1/2011 Hung D14/452
8,070,114 B2 * 12/2011 Chen F16M 11/2021
248/278.1
D660,690 S * 5/2012 Mixides D8/396
D675,905 S * 2/2013 Bowman D8/363
D687,421 S 8/2013 Slaton
D712,945 S * 9/2014 Brucksch D16/132
D732,009 S * 6/2015 Bak D8/396
D743,951 S 11/2015 Slaton
D746,353 S * 12/2015 Woodman D16/242
D774,022 S 12/2016 Huang
9,709,217 B2 * 7/2017 Trinh F16M 11/105
D805,085 S * 12/2017 Xiang D14/452
D807,373 S * 1/2018 Thetard D14/452
D822,641 S 7/2018 Belitz
D822,671 S * 7/2018 Chu D14/452
10,024,484 B2 * 7/2018 Brown F16M 11/041
D834,568 S * 11/2018 Pooley D14/229
D848,444 S * 5/2019 Jung D14/452
D866,534 S 11/2019 Horton
D866,535 S 11/2019 Horton
D877,744 S * 3/2020 Xiang D14/452
D878,118 S * 3/2020 Renwick D6/680.2
D881,853 S * 4/2020 Horton D14/229
D895,584 S 9/2020 Sano
D916,709 S * 4/2021 Hung D14/452
D929,974 S 9/2021 Suzuki
11,118,729 B2 * 9/2021 Zebajjad F16M 13/022
D936,070 S * 11/2021 You D14/452
D939,516 S * 12/2021 You D14/452
D941,300 S * 1/2022 Huang D14/452
D952,613 S 5/2022 Wu
D962,903 S * 9/2022 You D14/229
2003/0075658 A1 * 4/2003 Beissel, Jr. F16M 13/00
248/284.1
2013/0161465 A1 * 6/2013 Huang F16M 11/08
248/278.1
2013/0299658 A1 * 11/2013 Hung F16M 11/2014
248/276.1
2014/0367137 A1 * 12/2014 Leung H02G 1/00
174/68.3
2022/0126016 A1 * 4/2022 Cox F16M 13/02
2022/0136647 A1 * 5/2022 Vlaar F16M 13/022
248/284.1

* cited by examiner

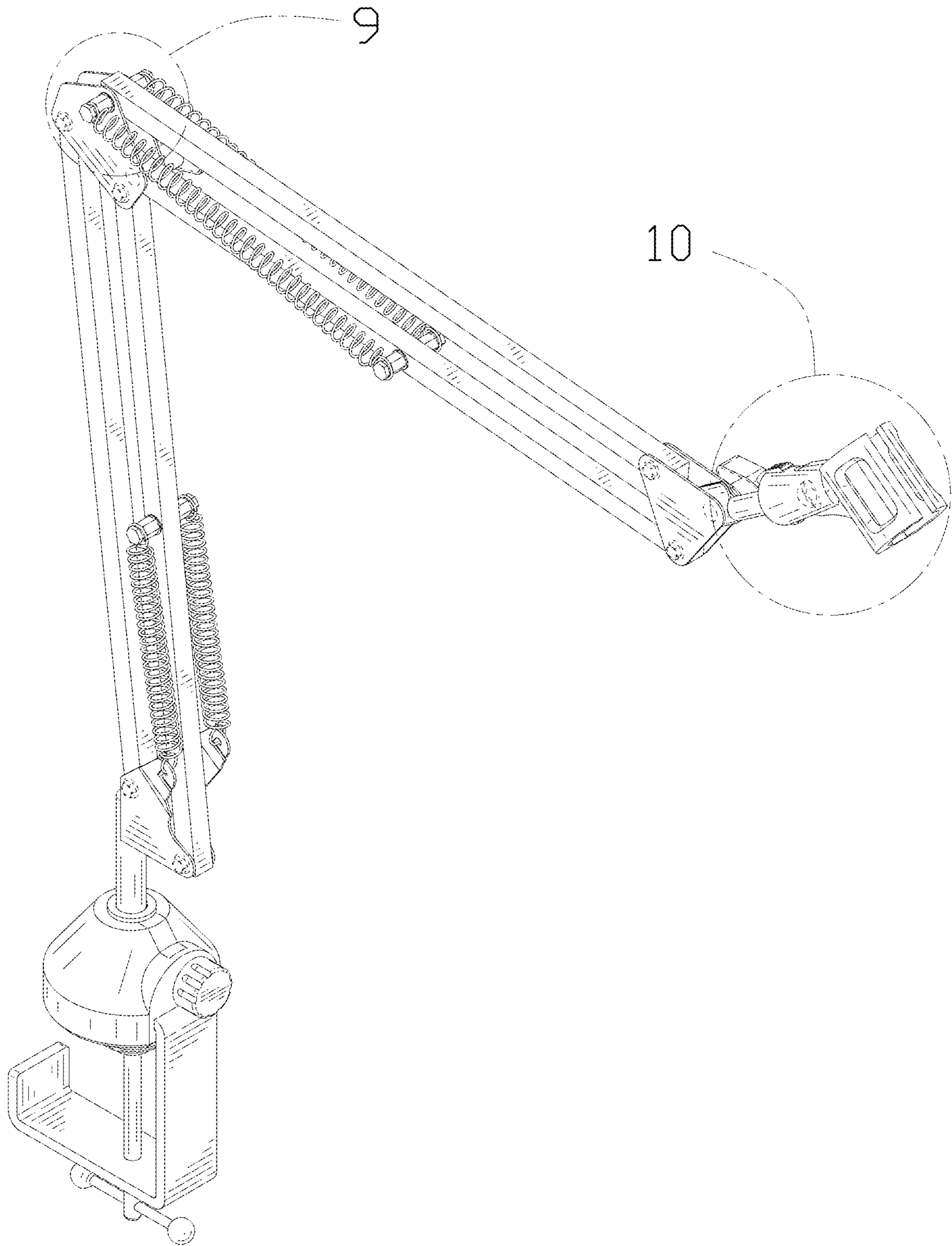


FIG. 1

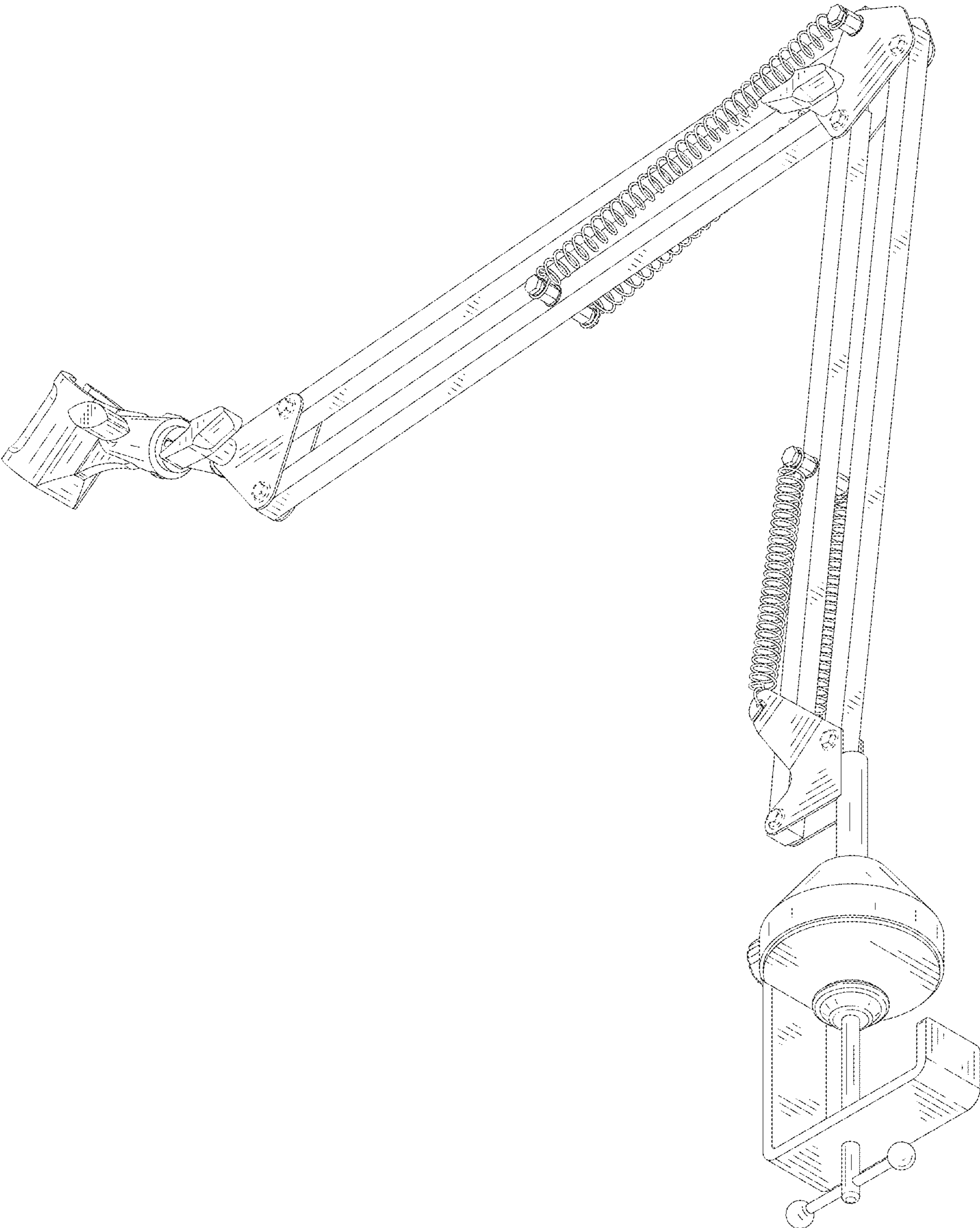


FIG. 2

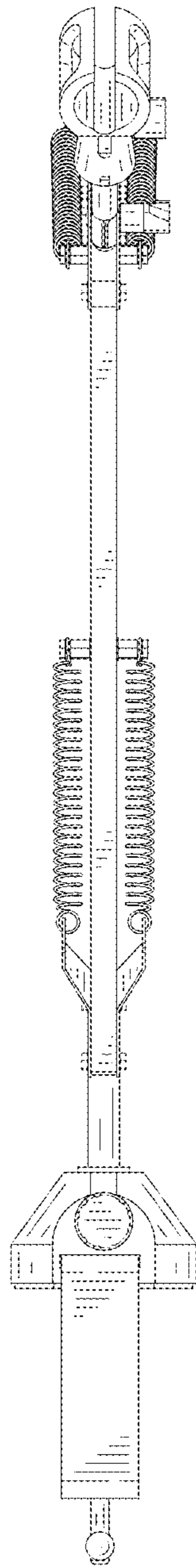


FIG. 3

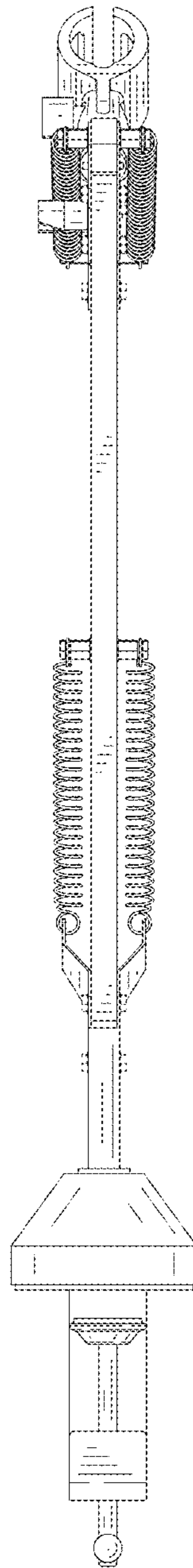


FIG. 4

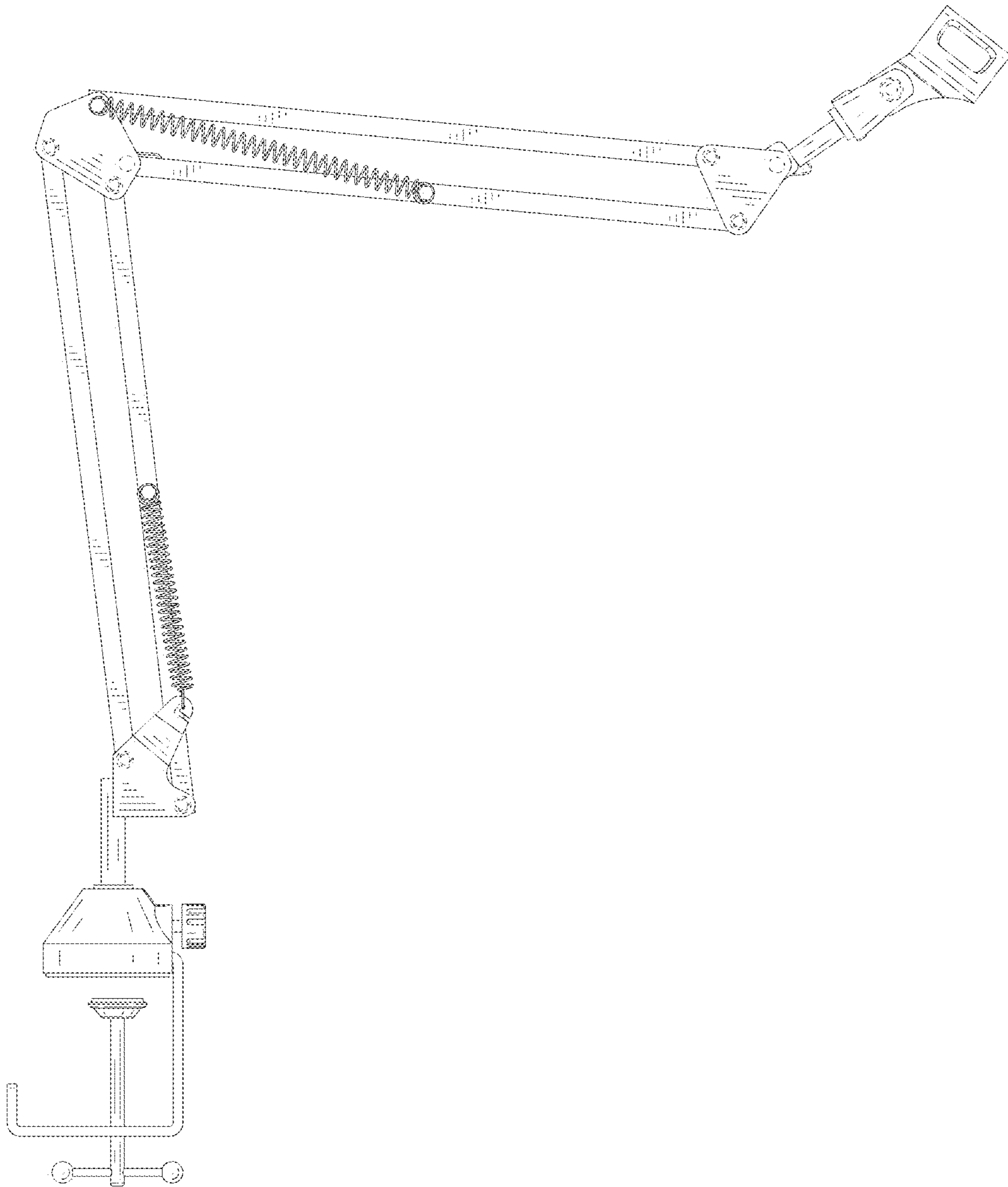


FIG. 5

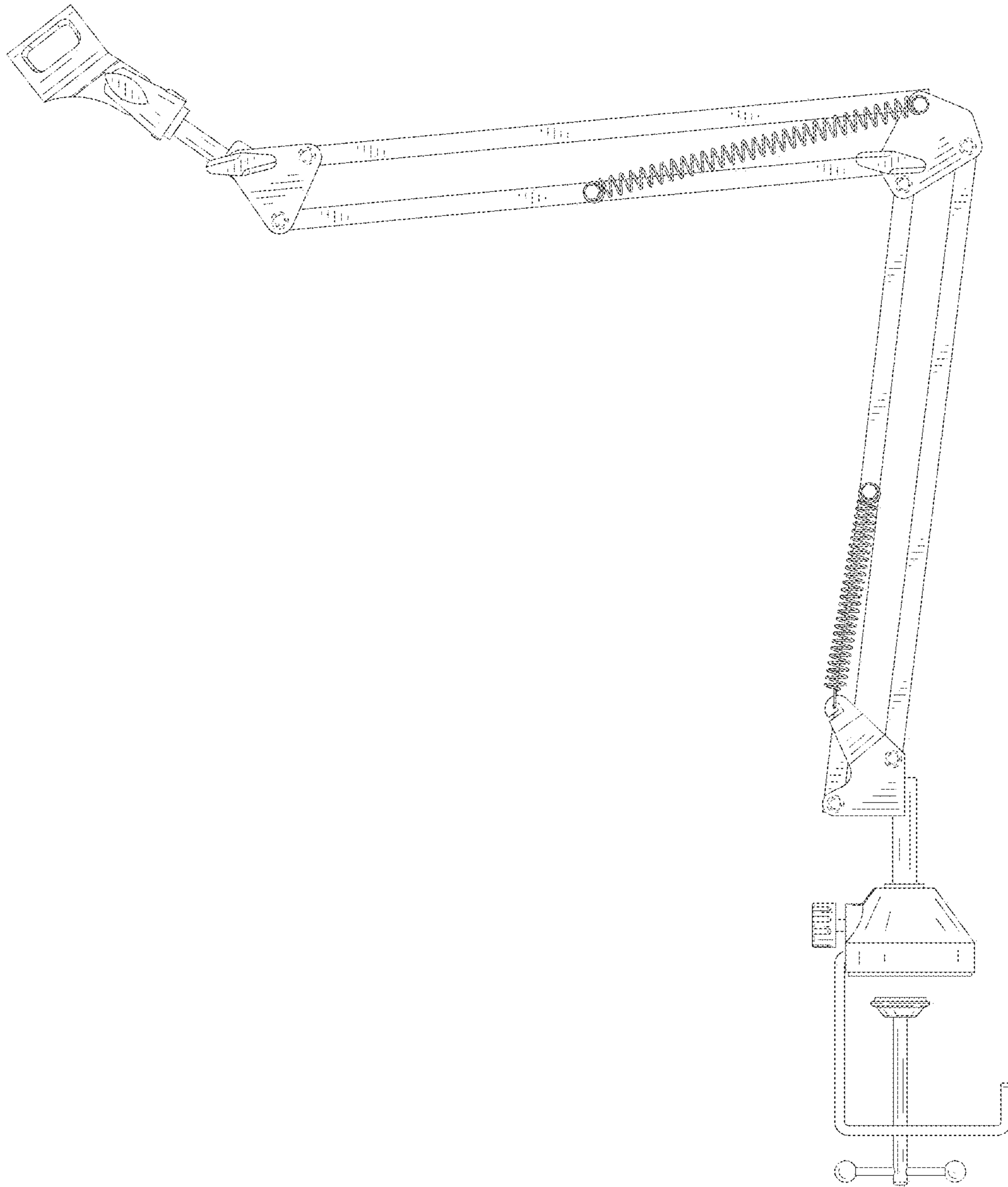


FIG. 6

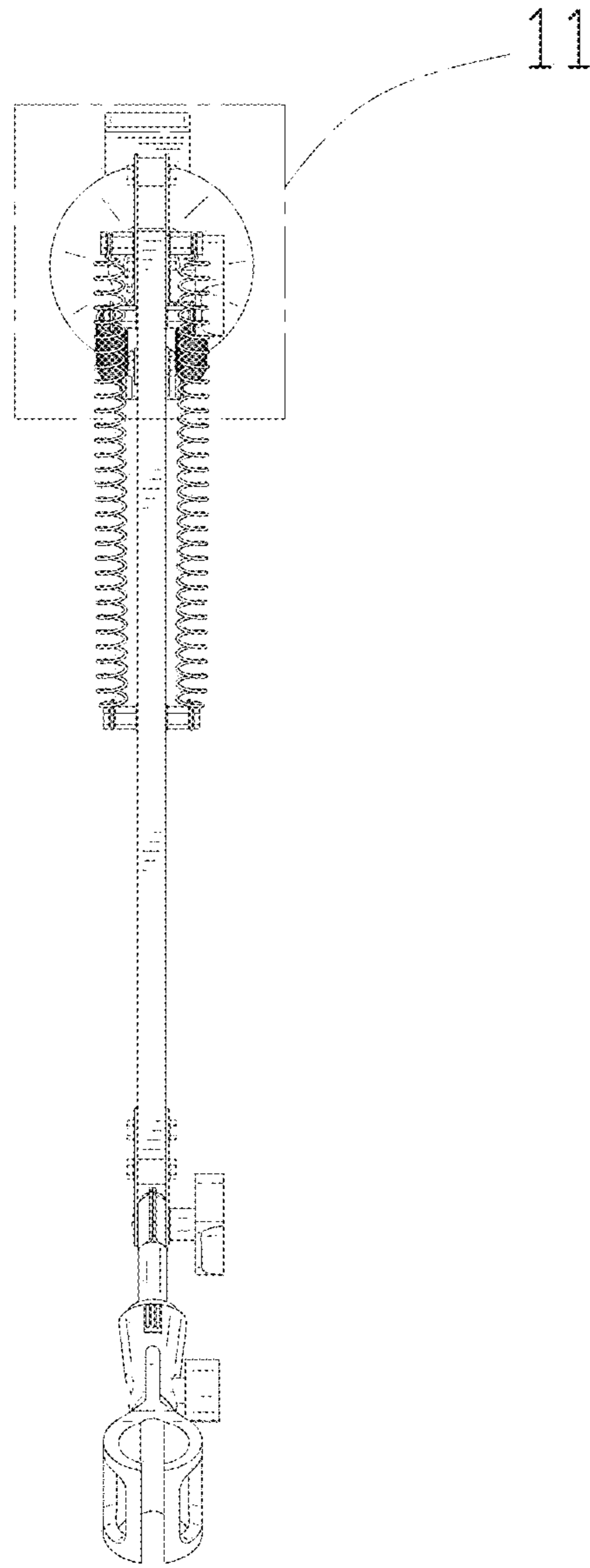


FIG. 7

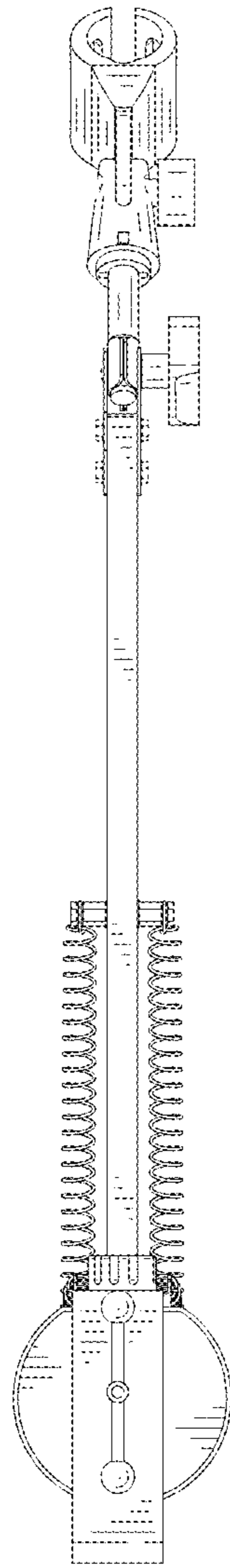


FIG. 8

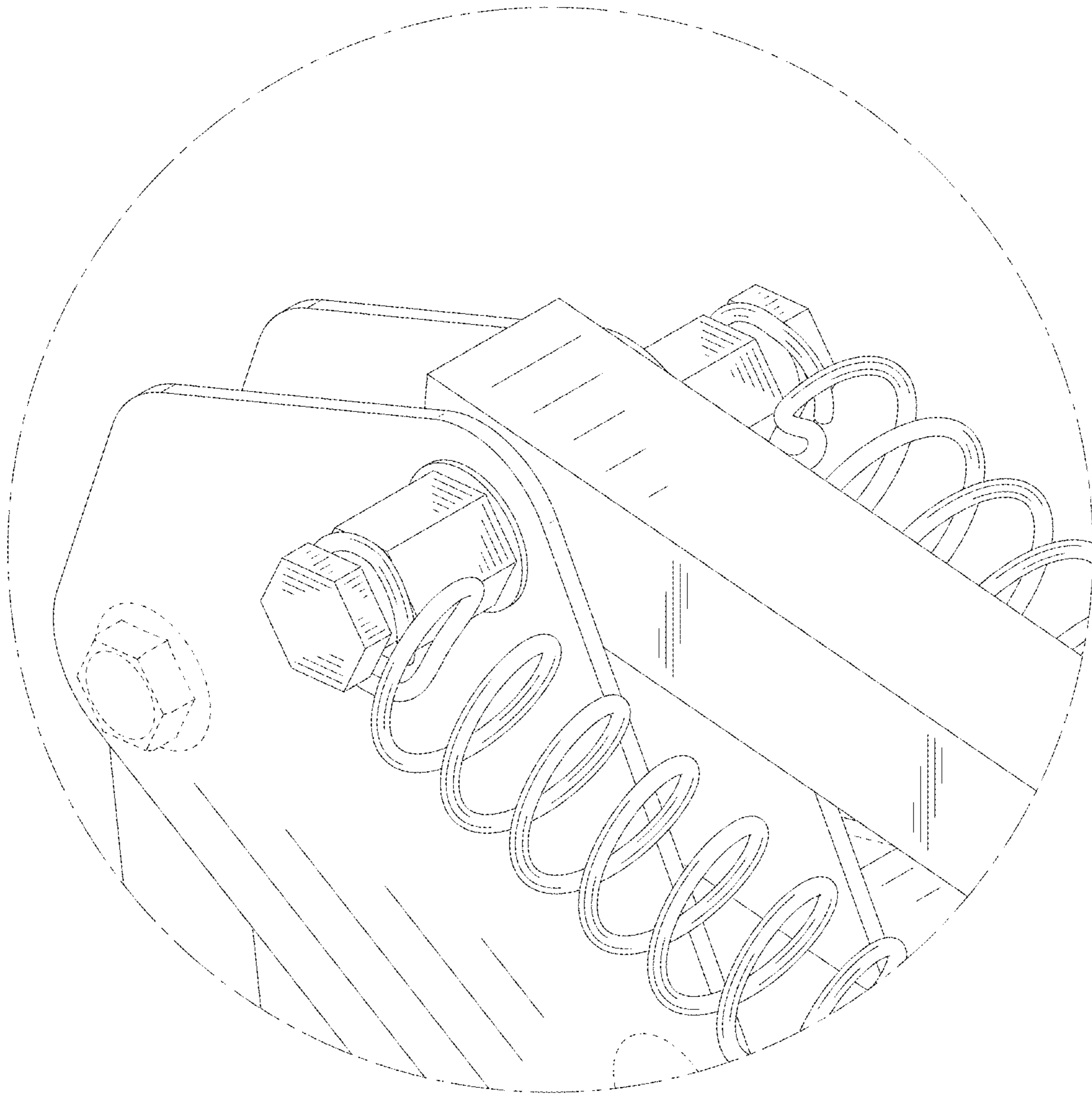


FIG. 9

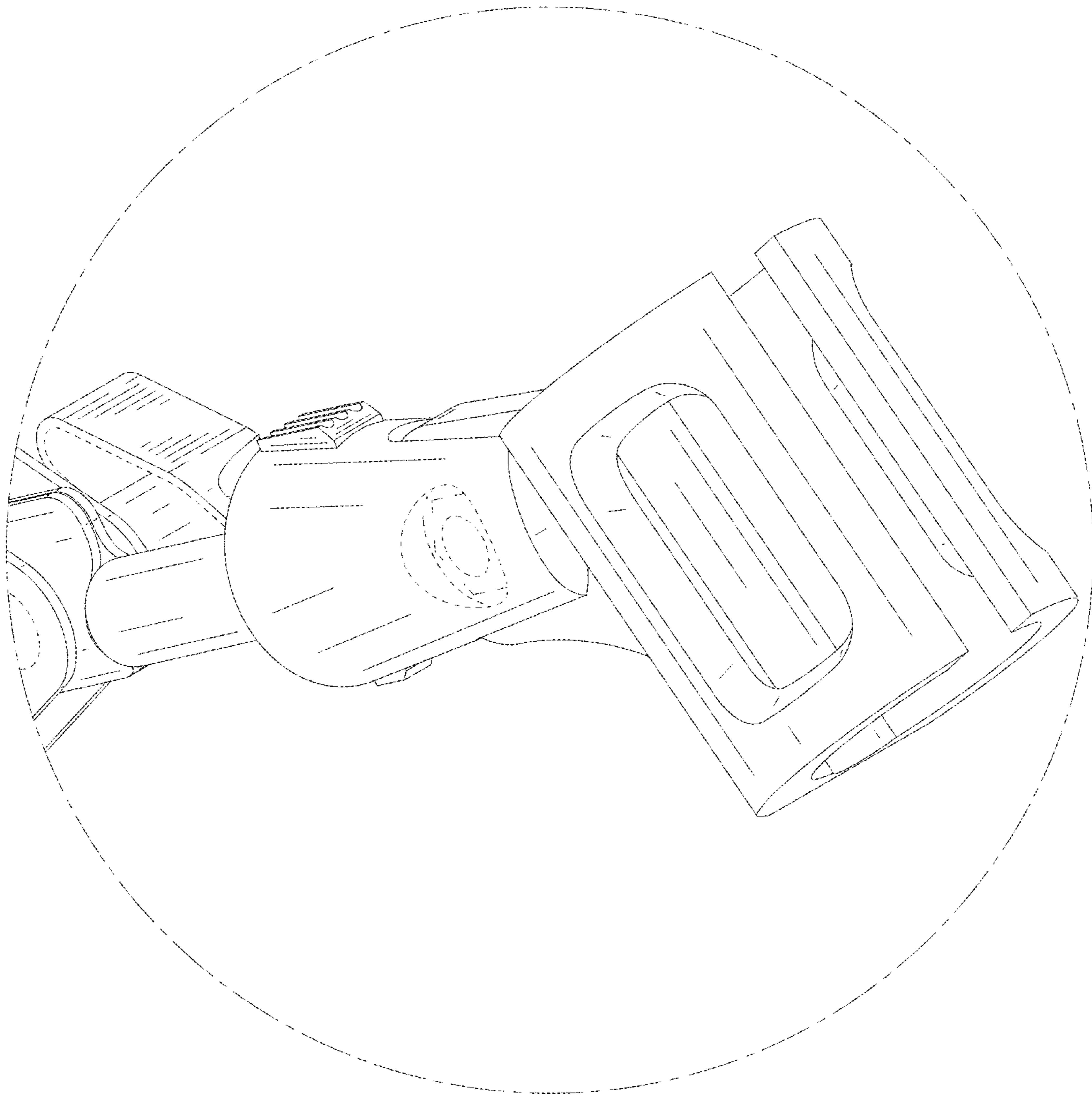


FIG. 10

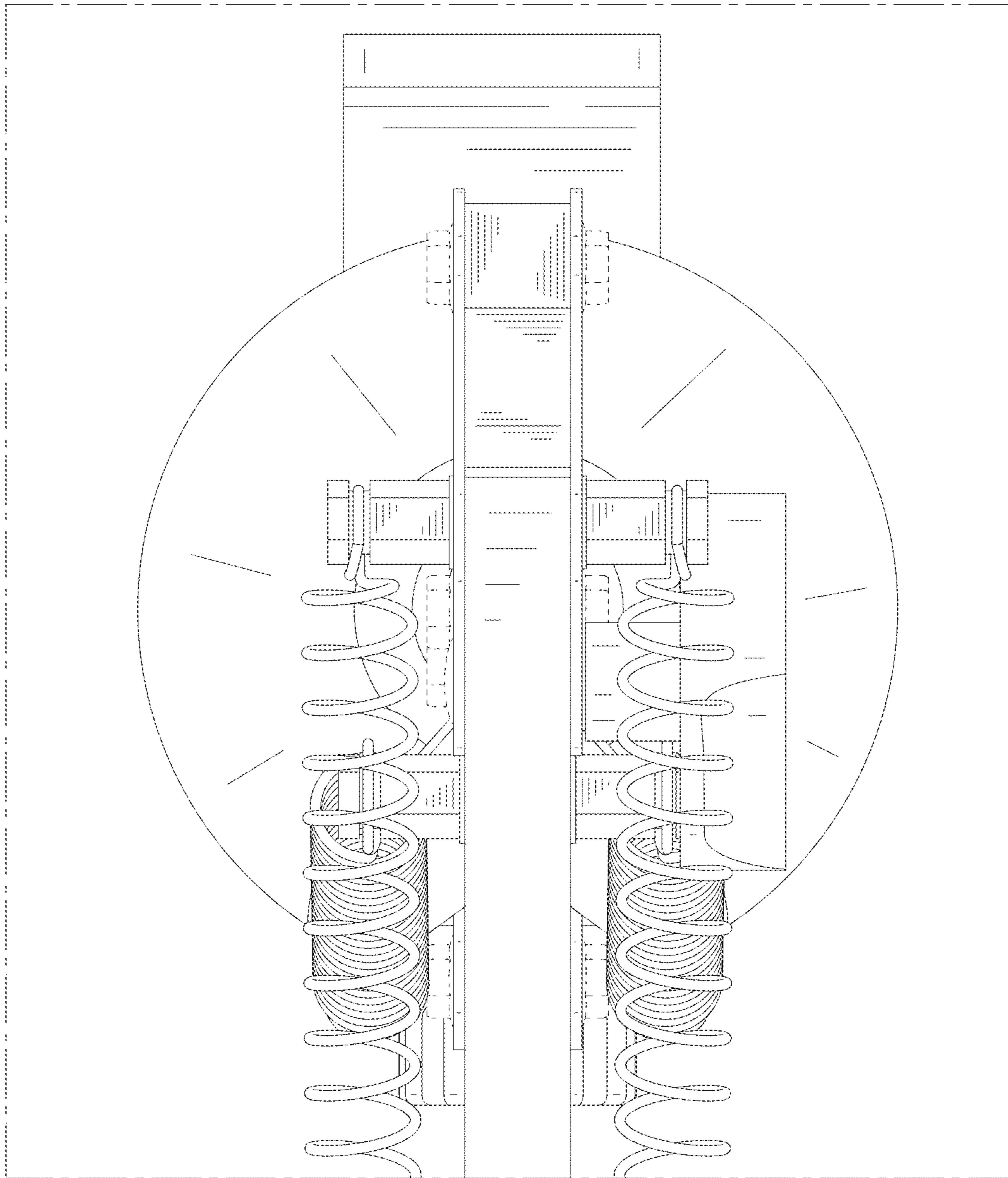


FIG. 11