



US00D973641S

(12) **United States Design Patent**  
**Lai**

(10) **Patent No.:** **US D973,641 S**  
(45) **Date of Patent:** **\*\* Dec. 27, 2022**

(54) **MICROPHONE**  
(71) Applicant: **Guangye Lai**, Enping (CN)  
(72) Inventor: **Guangye Lai**, Enping (CN)  
(\*\*) Term: **15 Years**  
(21) Appl. No.: **29/772,725**  
(22) Filed: **Mar. 3, 2021**  
(51) **LOC (13) Cl.** ..... **14-01**  
(52) **U.S. Cl.**  
USPC ..... **D14/227**  
(58) **Field of Classification Search**  
USPC ..... D14/227, 225, 226, 228, 229, 204;  
D26/63; D16/244; D6/681; 381/361,  
381/172, 355, 356; 362/371  
CPC ..... H04R 11/04; H04R 3/00; H04R 19/04;  
H04R 9/06; H04R 5/02; H04R 9/08;  
H04R 1/08; H04R 1/02; H04R 25/00;  
A47B 85/00  
See application file for complete search history.

4,075,470 A \* 2/1978 Moore ..... B60Q 7/00  
362/398  
4,323,953 A \* 4/1982 Hutchison ..... F21V 19/04  
362/362  
4,383,487 A \* 5/1983 Fitzner ..... F16M 11/06  
108/150  
4,501,201 A \* 2/1985 Fitzner ..... A47F 5/04  
108/150  
D376,803 S \* 12/1996 Lee ..... D14/497  
6,061,457 A \* 5/2000 Stockhamer ..... H04R 1/00  
367/188  
D447,131 S \* 8/2001 Hough ..... D14/228  
D486,259 S \* 2/2004 Crawford ..... D26/46  
D594,856 S \* 6/2009 Marshall ..... D14/228  
D598,595 S \* 8/2009 Levine ..... D26/63  
D603,849 S \* 11/2009 Durrett ..... D14/228  
D604,274 S \* 11/2009 Durrett ..... D14/228  
D604,880 S \* 11/2009 Lovegrove ..... D26/63

(Continued)

**FOREIGN PATENT DOCUMENTS**

CN 305376423 \* 10/2019  
CN 306140868 \* 10/2020

(Continued)

*Primary Examiner* — Paula Allen Greene

(56) **References Cited**  
**U.S. PATENT DOCUMENTS**

1,105,039 A \* 7/1914 Olbon ..... F16M 13/02  
248/167  
2,081,622 A \* 5/1937 Foster ..... H04R 1/08  
381/361  
2,870,856 A \* 1/1959 Olson ..... H04R 1/38  
381/345  
2,920,140 A \* 1/1960 Morgan ..... H04R 19/04  
381/113  
D199,398 S \* 10/1964 Freeman ..... D14/227  
3,543,016 A \* 11/1970 Jones ..... F21V 21/30  
362/371  
D225,262 S \* 11/1972 Demeurant ..... D26/65  
D233,669 S \* 11/1974 Pllice ..... D14/228  
D242,945 S \* 1/1977 Moore ..... D26/65

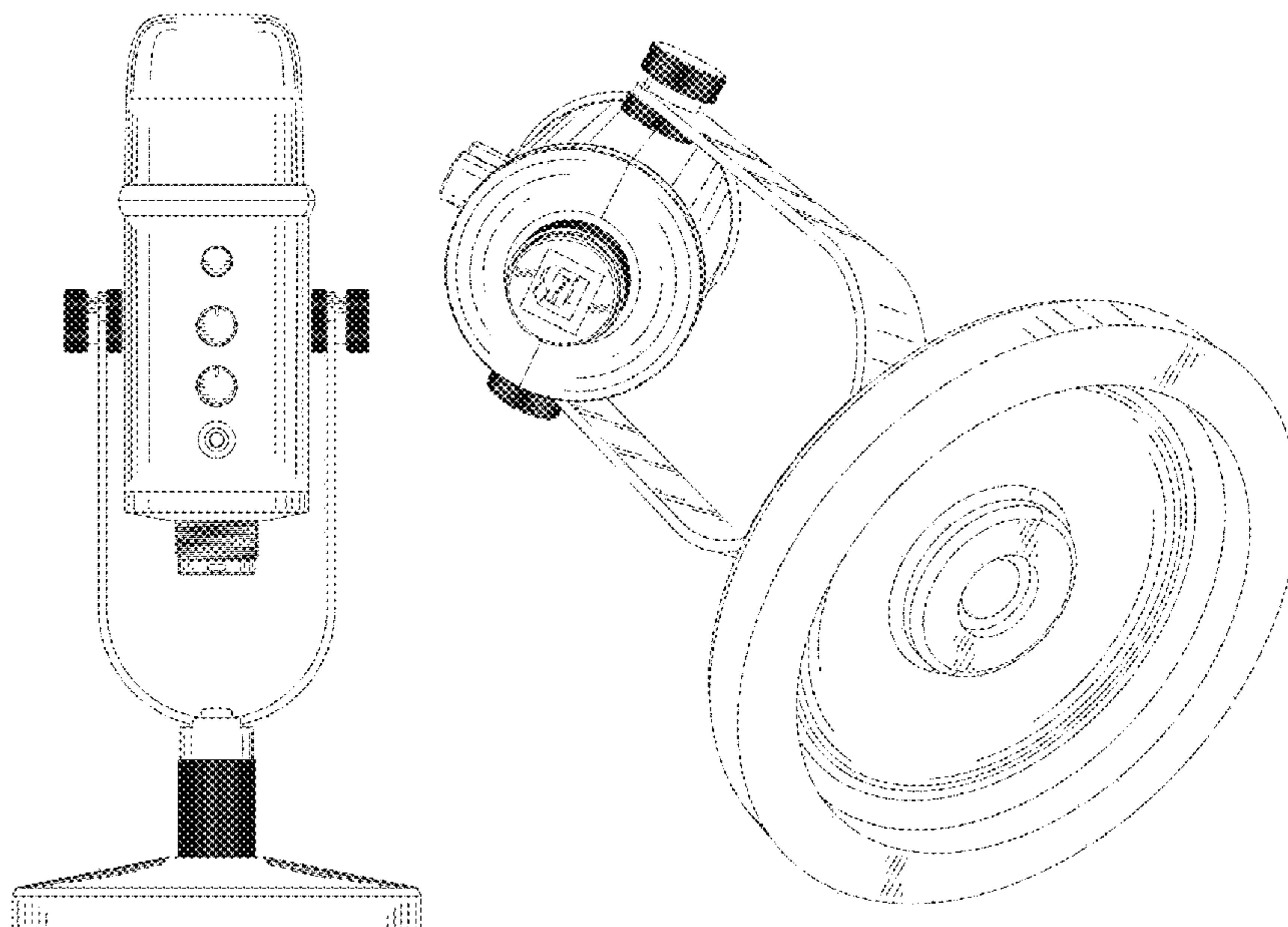
(57) **CLAIM**

The ornamental design for a microphone, as shown.

**DESCRIPTION**

FIG. 1 is a front view of a microphone showing my new design;  
FIG. 2 is a rear elevational view of thereof;  
FIG. 3 is a top plan view thereof;  
FIG. 4 is a right side elevational view thereof;  
FIG. 5 is a left side elevational view thereof;  
FIG. 6 is a perspective view thereof;  
FIG. 7 is a tilted perspective view thereof; and,  
FIG. 8 is a second tilted perspective view thereof.

**1 Claim, 8 Drawing Sheets**



(56)

References Cited

U.S. PATENT DOCUMENTS

D617,930 S \* 6/2010 Chen ..... D26/63  
 D629,549 S \* 12/2010 Feigenbaum ..... D26/63  
 D766,303 S \* 9/2016 Anzures ..... D14/486  
 9,877,113 B2 \* 1/2018 Akino ..... H04R 19/04  
 D834,004 S \* 11/2018 Chen ..... D14/226  
 D834,564 S \* 11/2018 Chen ..... D14/226  
 D835,612 S \* 12/2018 Tong ..... D14/225  
 D842,278 S \* 3/2019 Tong ..... D14/227  
 D848,404 S \* 5/2019 Chen ..... D14/227  
 D849,721 S \* 5/2019 Chen ..... D14/227  
 D851,073 S \* 6/2019 Tong ..... D14/227  
 D864,922 S \* 10/2019 Mai ..... D14/227  
 D890,141 S \* 7/2020 Chen ..... D14/228  
 D890,732 S \* 7/2020 Chen ..... D14/227  
 D895,583 S \* 9/2020 Smith ..... D14/227  
 D899,407 S \* 10/2020 Mai ..... D14/227  
 D917,429 S \* 4/2021 Xiang ..... D14/228  
 D917,430 S \* 4/2021 Mai ..... D14/228  
 D917,432 S \* 4/2021 Mai ..... D14/227  
 D917,433 S \* 4/2021 Wang ..... D14/228  
 D918,184 S \* 5/2021 Xiang ..... D14/228  
 D918,186 S \* 5/2021 Mai ..... D14/227  
 D918,876 S \* 5/2021 Mai ..... D14/227

D919,604 S \* 5/2021 Mai ..... D14/227  
 D925,505 S \* 7/2021 Wang ..... D14/228  
 D925,506 S \* 7/2021 Wang ..... D14/228  
 D931,839 S \* 9/2021 Bryant ..... D14/227  
 D942,973 S \* 2/2022 Lu ..... D14/227  
 D954,686 S \* 6/2022 Chen ..... D14/227  
 D954,687 S \* 6/2022 Mai ..... D14/229  
 D960,876 S \* 8/2022 Zhao ..... D14/227  
 2006/0002576 A1 \* 1/2006 Akino ..... H04R 1/021  
 381/361  
 2008/0152174 A1 \* 6/2008 Marshall ..... H04R 19/04  
 381/172  
 2010/0208929 A1 \* 8/2010 Heil ..... H04R 11/04  
 381/355  
 2012/0237072 A1 \* 9/2012 Akino ..... H04R 19/04  
 381/356

FOREIGN PATENT DOCUMENTS

CN 306308574 \* 2/2021  
 CN 306314770 \* 2/2021  
 CN 306662294 \* 7/2021  
 EM 008026975-0001 \* 7/2020  
 EM 008272884-0001 \* 11/2020

\* cited by examiner

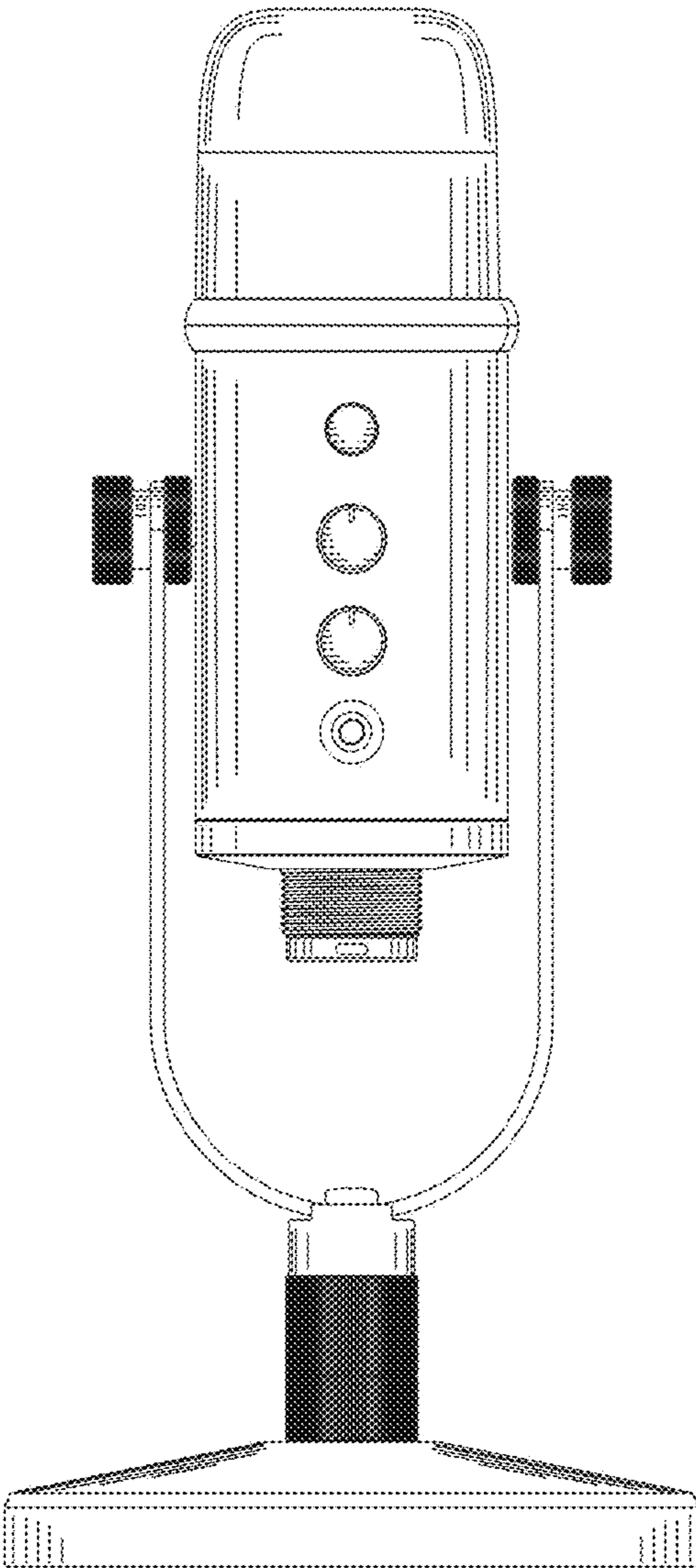


FIG. 1

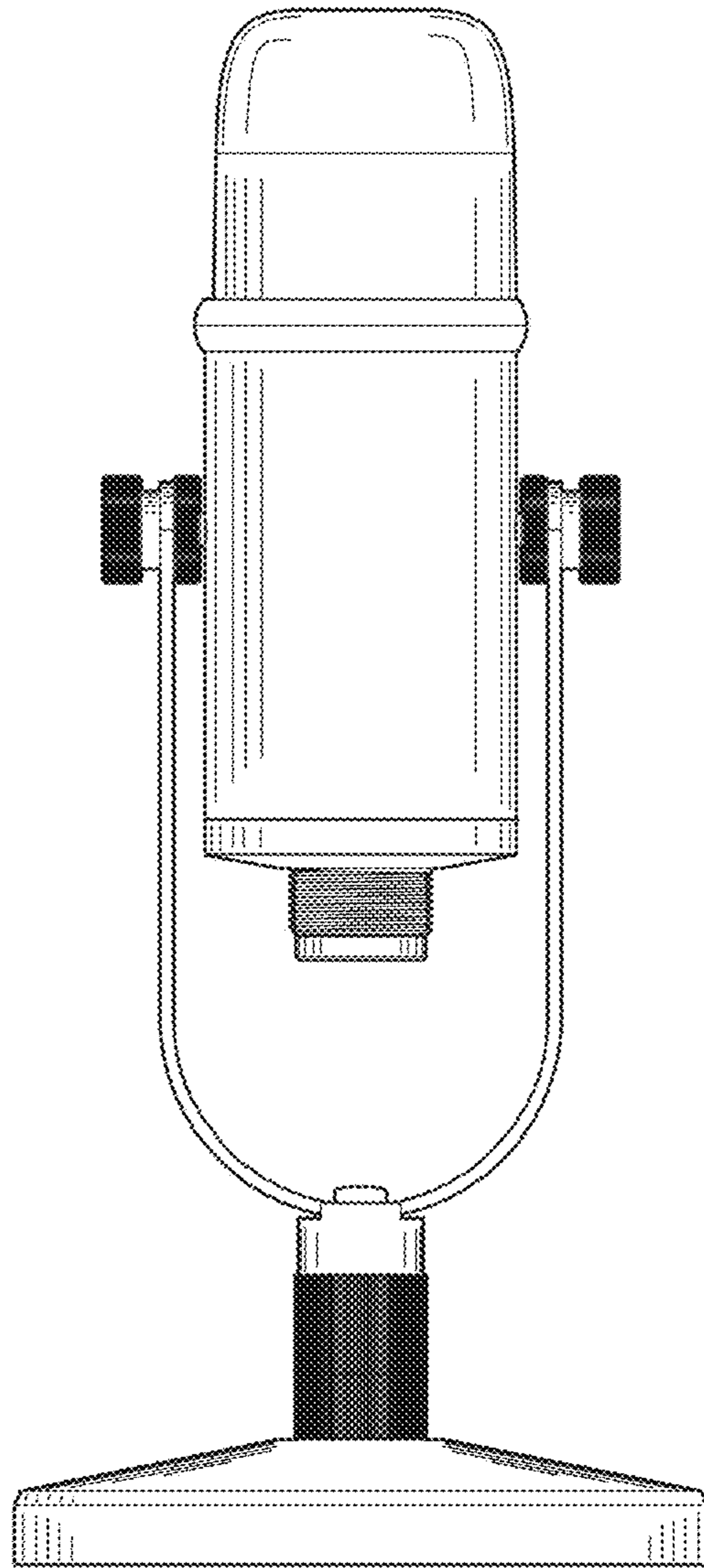


FIG.2



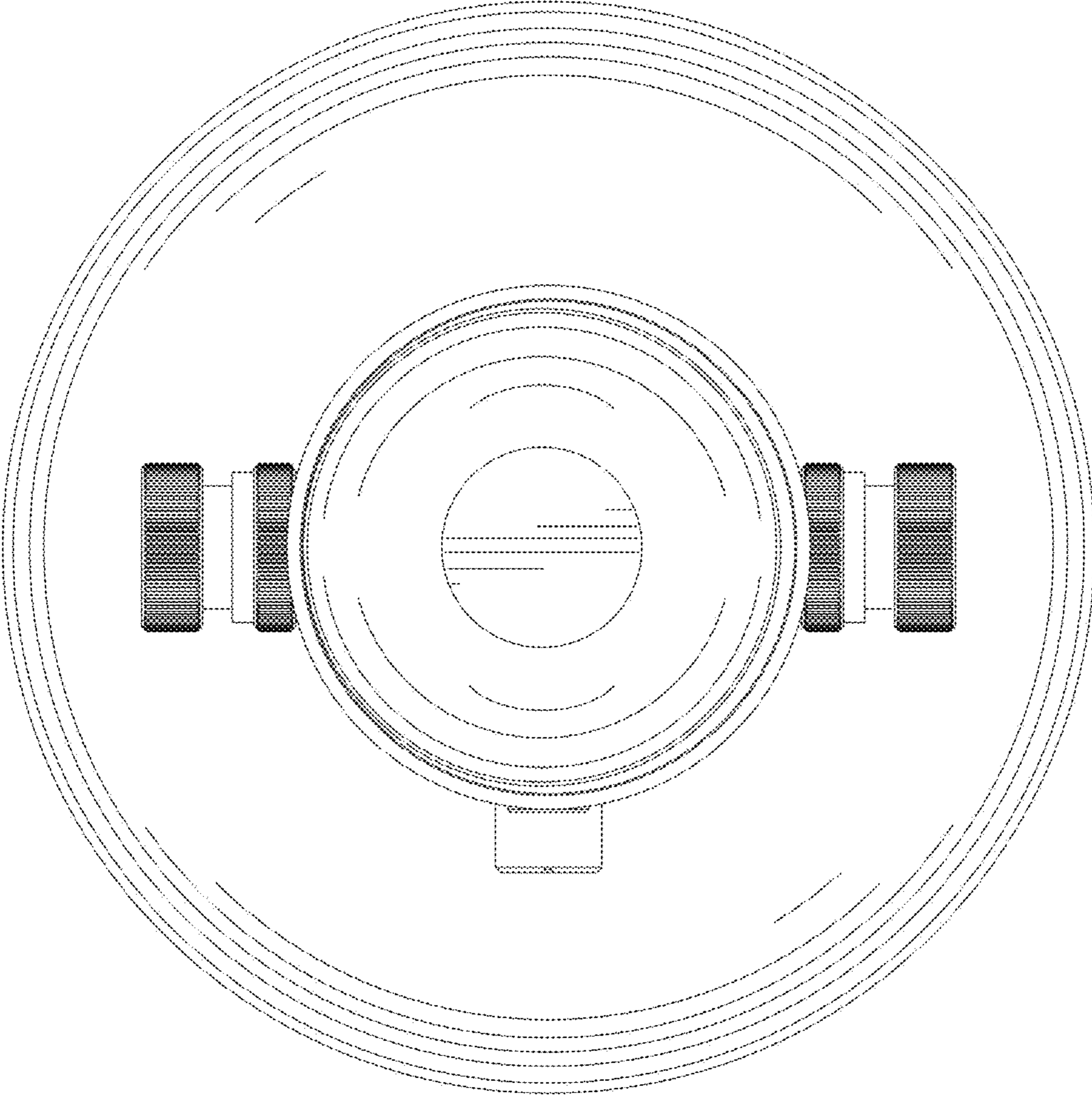


FIG.3

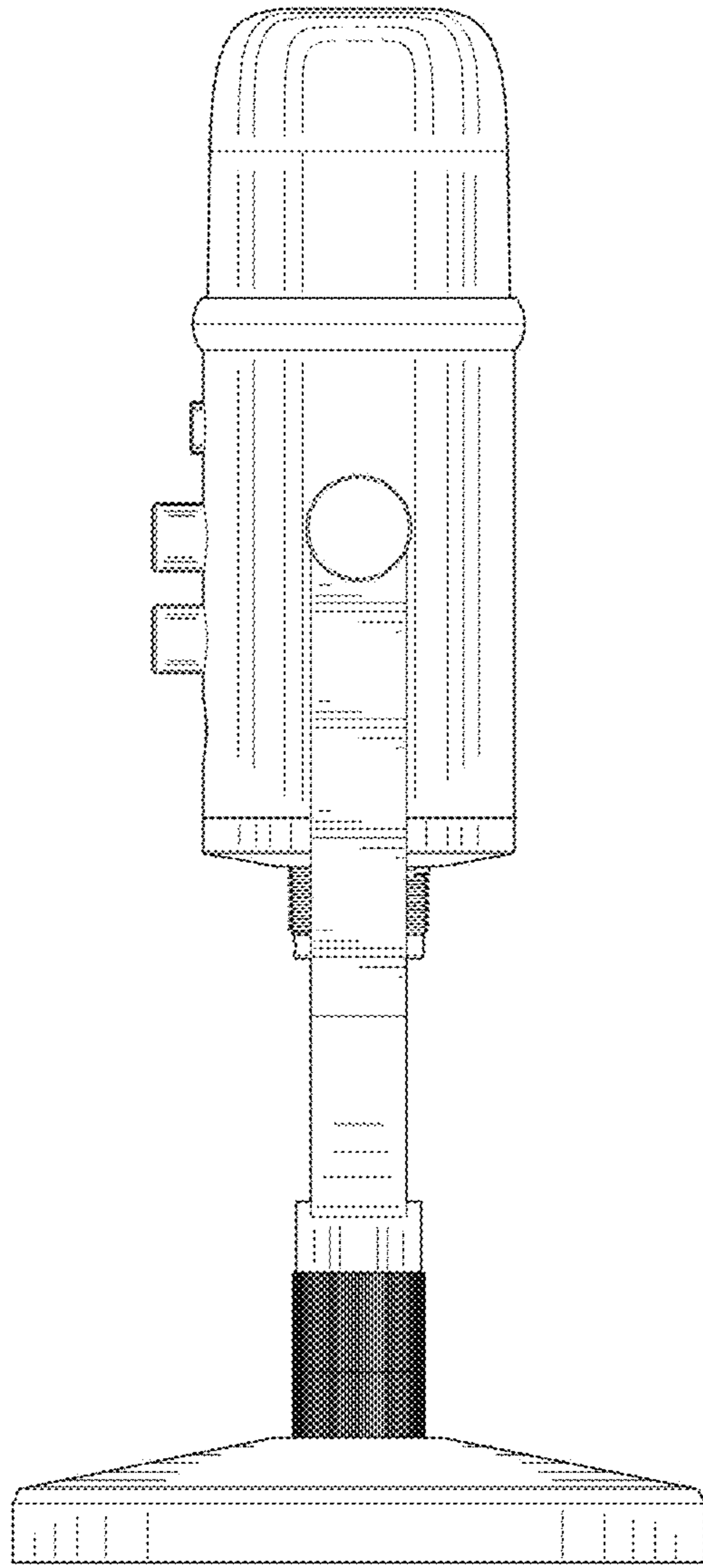


FIG.4

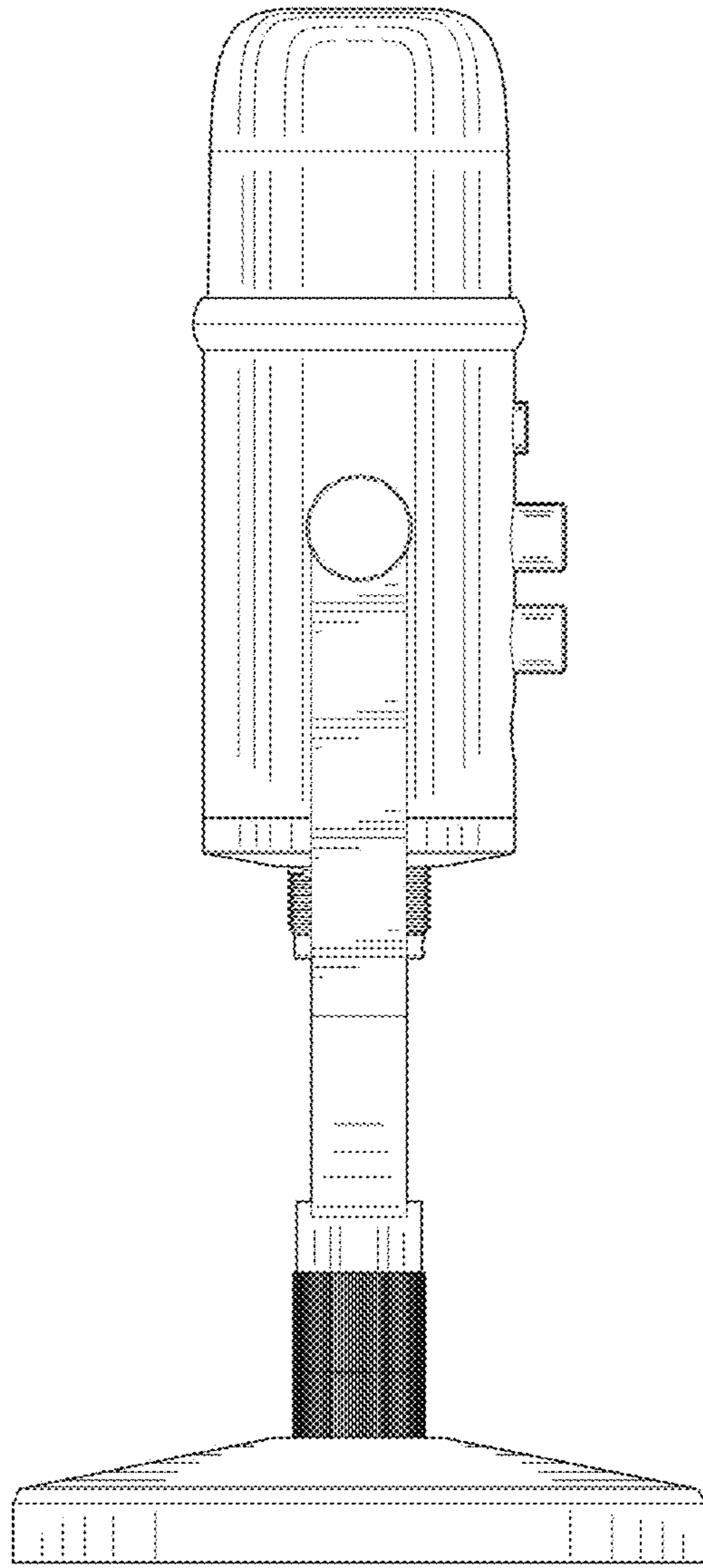


FIG.5

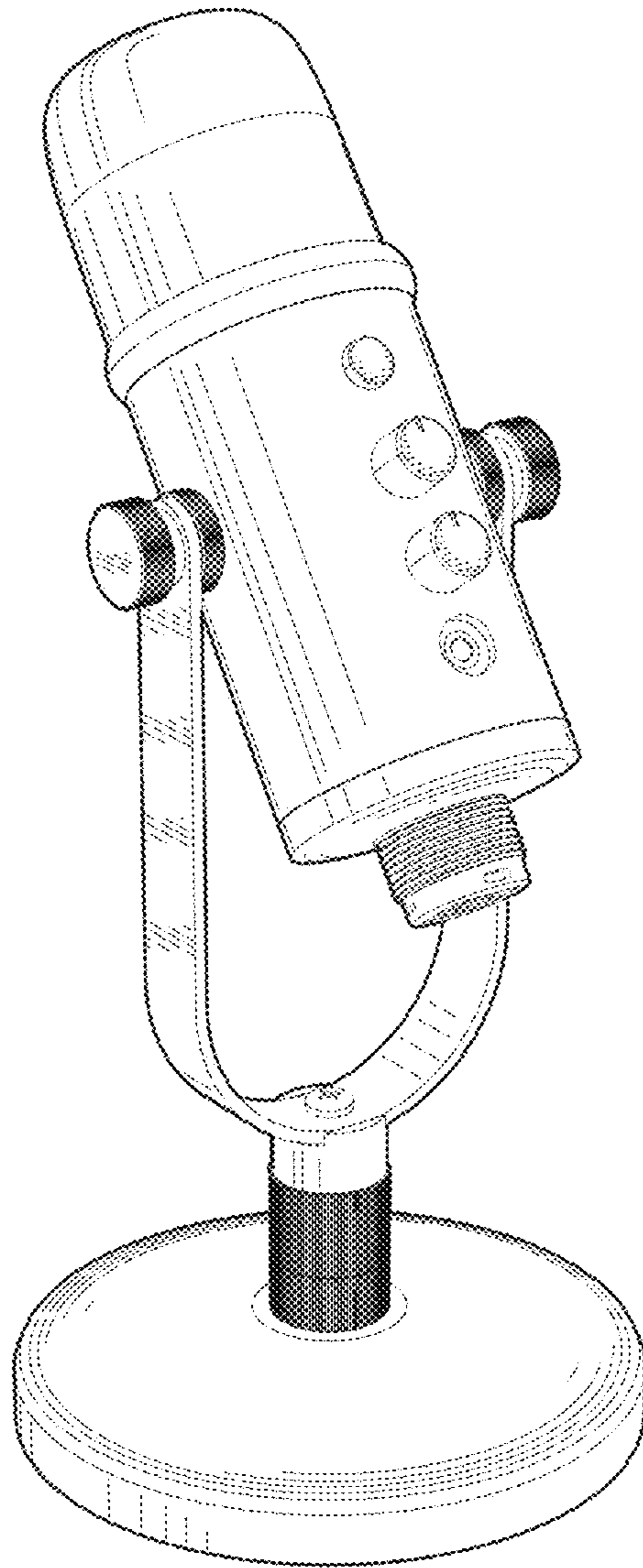


FIG.6



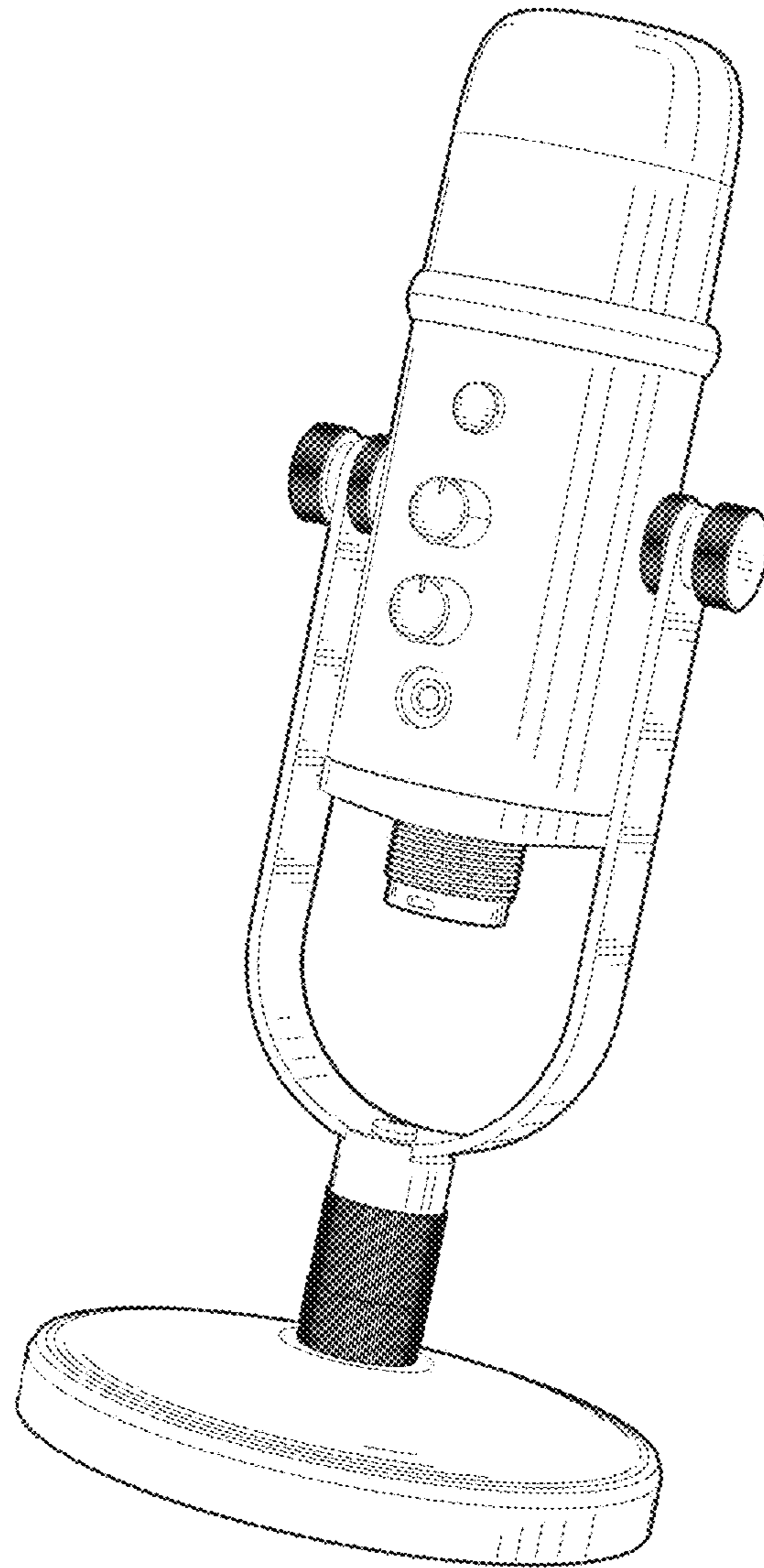


FIG.7

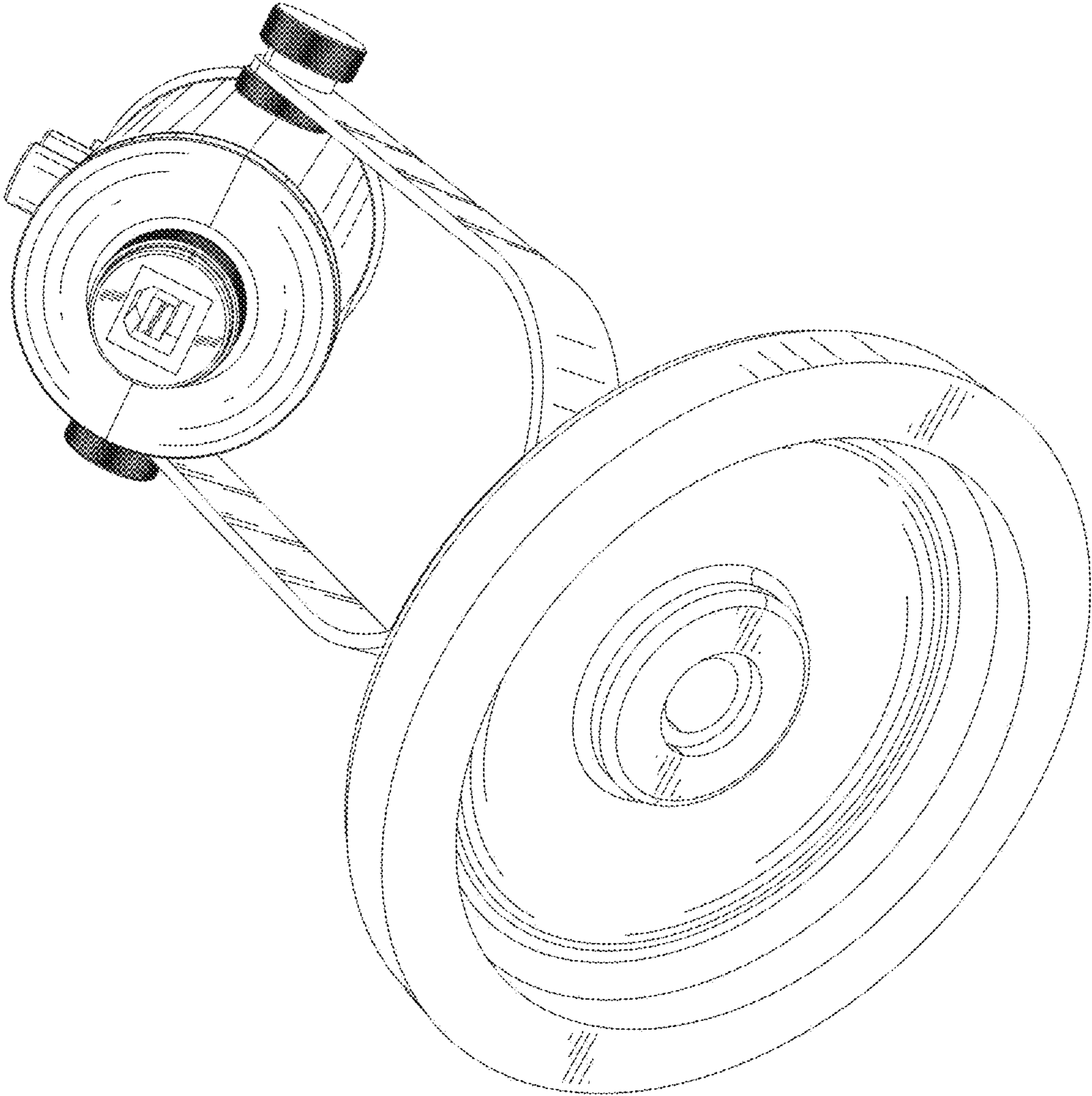


FIG.8