



US00D973640S

(12) **United States Design Patent**
Deng

(10) **Patent No.:** **US D973,640 S**

(45) **Date of Patent:** **** Dec. 27, 2022**

- (54) **WIRELESS MICROPHONE**
- (71) Applicant: **Shenzhen Jiayz Photo Industrial, Ltd, Shenzhen (CN)**
- (72) Inventor: **Gang Deng, Shenzhen (CN)**
- (**) Term: **15 Years**
- (21) Appl. No.: **29/774,424**
- (22) Filed: **Mar. 17, 2021**
- (30) **Foreign Application Priority Data**
 - Sep. 17, 2020 (CN) 202030552407.1
- (51) **LOC (13) Cl.** **14-01**
- (52) **U.S. Cl.**
USPC **D14/225**
- (58) **Field of Classification Search**
 - USPC D14/225, 223, 226, 217, 188, 155, 191, D14/192, 140, 240, 243, 256, 229; 24/3.12; 381/380, 381, 113, 111, 122, 381/355
 - CPC H04R 25/00; H04R 1/08; H04R 11/04; H04R 3/00; H04R 9/08; H01R 39/00; H04M 9/00

See application file for complete search history.

- 4,956,895 A * 9/1990 Hayasaka A44B 99/00 224/667
 - 4,972,508 A * 11/1990 King H04B 1/086 455/347
 - D316,550 S * 4/1991 Sogabe D14/205
 - 5,488,759 A * 2/1996 Lim A45F 5/02 24/3.12
 - 5,835,852 A * 11/1998 Bundgardt H04M 1/0214 455/575.2
 - 6,122,369 A * 9/2000 Hwang H04M 1/6058 379/430
 - D442,932 S * 5/2001 Koike D14/155
 - 6,283,348 B1 * 9/2001 Wang H04B 1/3888 24/3.12
 - D457,154 S * 5/2002 Ng D14/192
- (Continued)

FOREIGN PATENT DOCUMENTS

CN	307377174	*	5/2022
JP	D1682907	*	3/2021
JP	D1712782	*	4/2022

Primary Examiner — Paula Allen Greene

(57) **CLAIM**

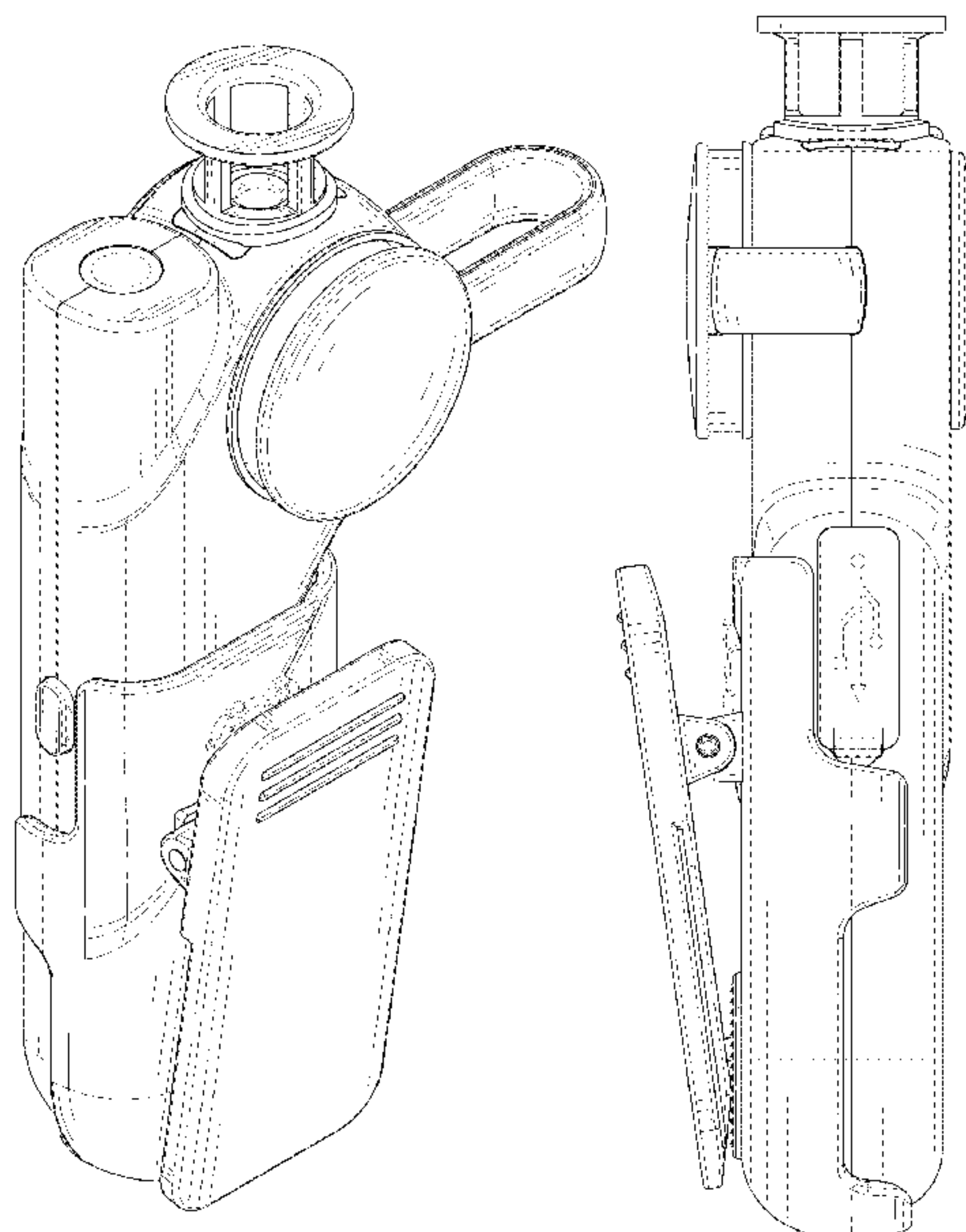
The ornamental design for a wireless microphone, as shown and described.

DESCRIPTION

FIG. 1 is a front and top perspective view of a wireless microphone; showing my new design;
 FIG. 2 is a rear and bottom perspective view thereof;
 FIG. 3 is a front elevation view thereof;
 FIG. 4 is a rear elevation view thereof;
 FIG. 5 is a left side elevation view thereof;
 FIG. 6 is a right side elevation view thereof.
 FIG. 7 is a top plan view thereof; and,
 FIG. 8 is a bottom plan view thereof.
 The broken lines in the figures illustrate portions of the wireless microphone that form no part of the claimed design.

1 Claim, 8 Drawing Sheets

- (56) **References Cited**
 - U.S. PATENT DOCUMENTS**
 - 2,508,918 A * 5/1950 Hines, Jr. H04B 1/086 343/866
 - 2,521,423 A * 9/1950 Stuck H04B 1/088 455/193.1
 - 3,851,123 A * 11/1974 Lipinski H04R 1/1058 455/344
 - 4,404,549 A * 9/1983 Berg G08B 15/004 340/636.15
 - D304,191 S * 10/1989 Sekine D14/192



(56)

References Cited

U.S. PATENT DOCUMENTS

6,438,248 B1 * 8/2002 Kamimura H04M 1/15
381/374
D465,470 S * 11/2002 Ng D14/171
D475,994 S * 6/2003 Schmidt D14/223
D509,817 S * 9/2005 Gong D14/155
D560,652 S * 1/2008 Opperman D14/192
D566,106 S * 4/2008 Kim D14/223
D567,216 S * 4/2008 Densho D14/205
D568,877 S * 5/2008 Bodley D14/225
D573,140 S * 7/2008 Tsai D14/223
D587,682 S * 3/2009 Miles D14/205
D590,377 S * 4/2009 Bradford D14/223
D605,168 S * 12/2009 Jaakkola D14/205
D607,898 S * 1/2010 Lee D14/203.3
D608,767 S * 1/2010 Liner D14/225
D610,130 S * 2/2010 Bridge D14/223
D613,273 S * 4/2010 Liner D14/223
D616,899 S * 6/2010 Andre D14/496
D638,409 S * 5/2011 Walter D14/240
D716,274 S * 10/2014 Henning D14/223
D735,172 S * 7/2015 Fagnot D14/225
D803,193 S * 11/2017 Meinertz D14/225
D807,862 S * 1/2018 Takami D14/223
D813,207 S * 3/2018 Shultz D14/225
D839,242 S * 1/2019 Pang D14/223
D848,984 S * 5/2019 Ohashi D14/225
D928,748 S * 8/2021 Jia D14/225
D956,025 S * 6/2022 Deng D14/225
2008/0032737 A1 * 2/2008 Liu H04M 1/72403
455/556.1
2011/0176699 A1 * 7/2011 Lin H04R 1/1016
381/374
2022/0295179 A1 * 9/2022 Yoshimoto H04R 5/027

* cited by examiner

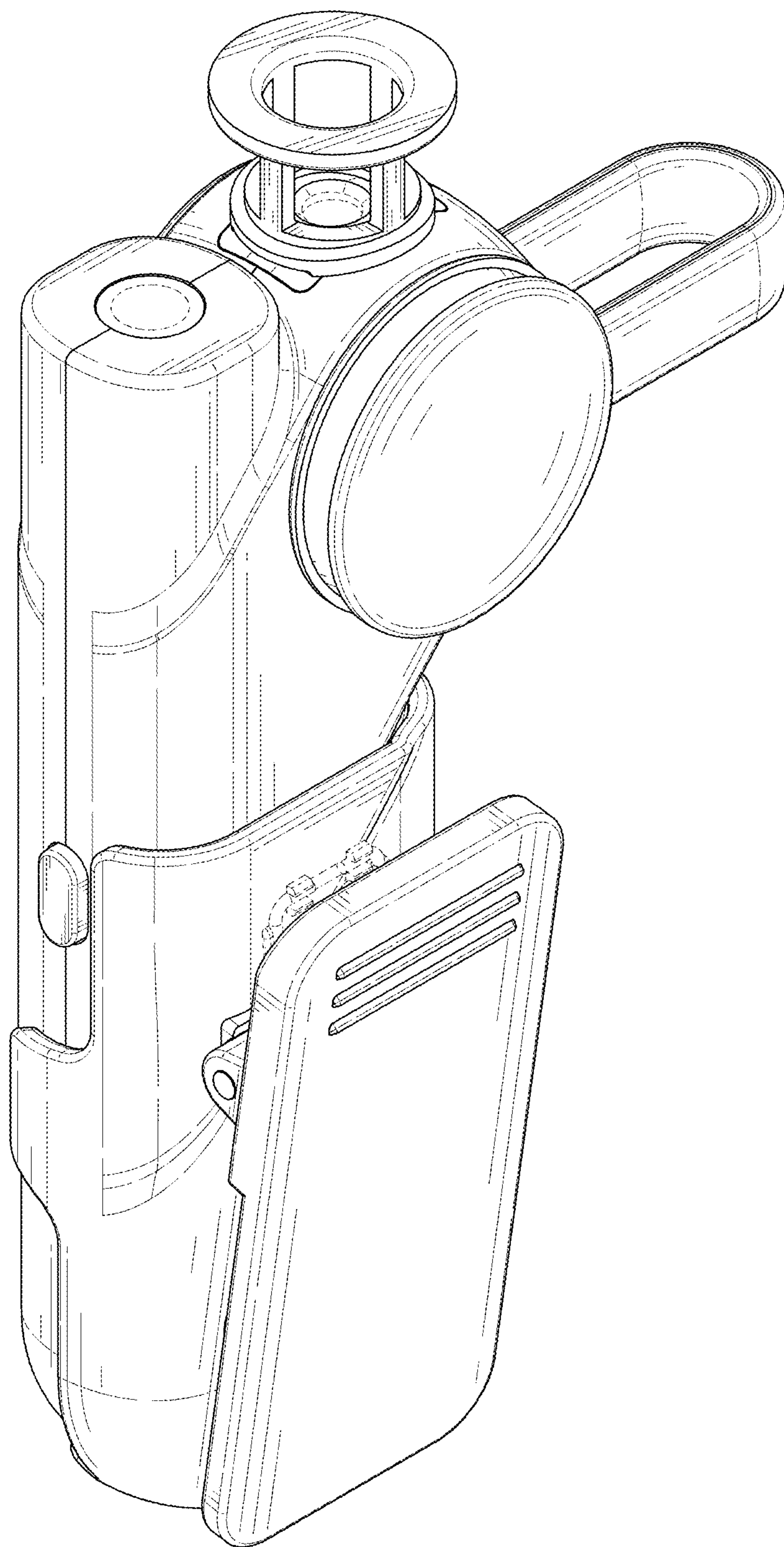


FIG. 1

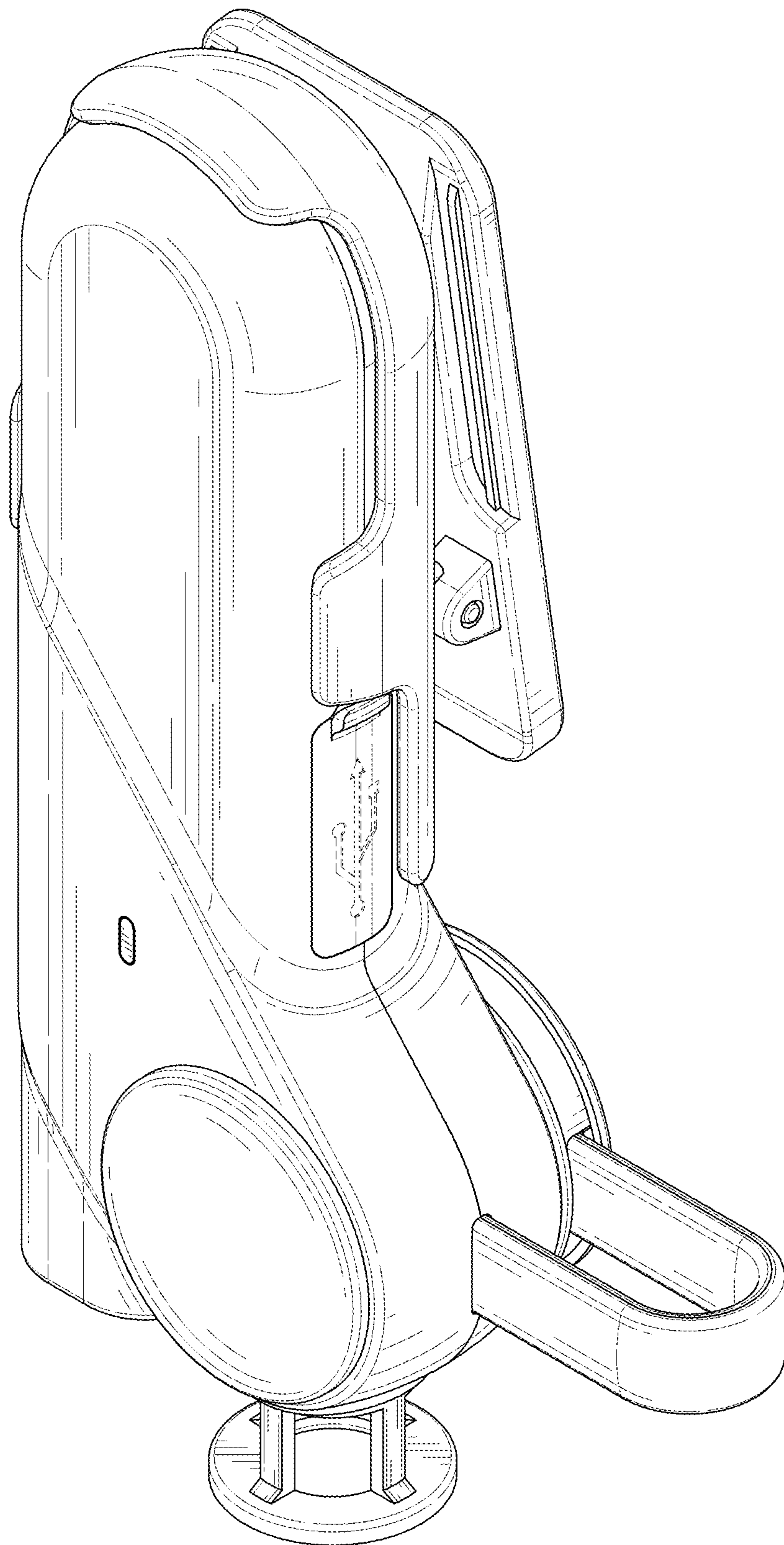


FIG. 2

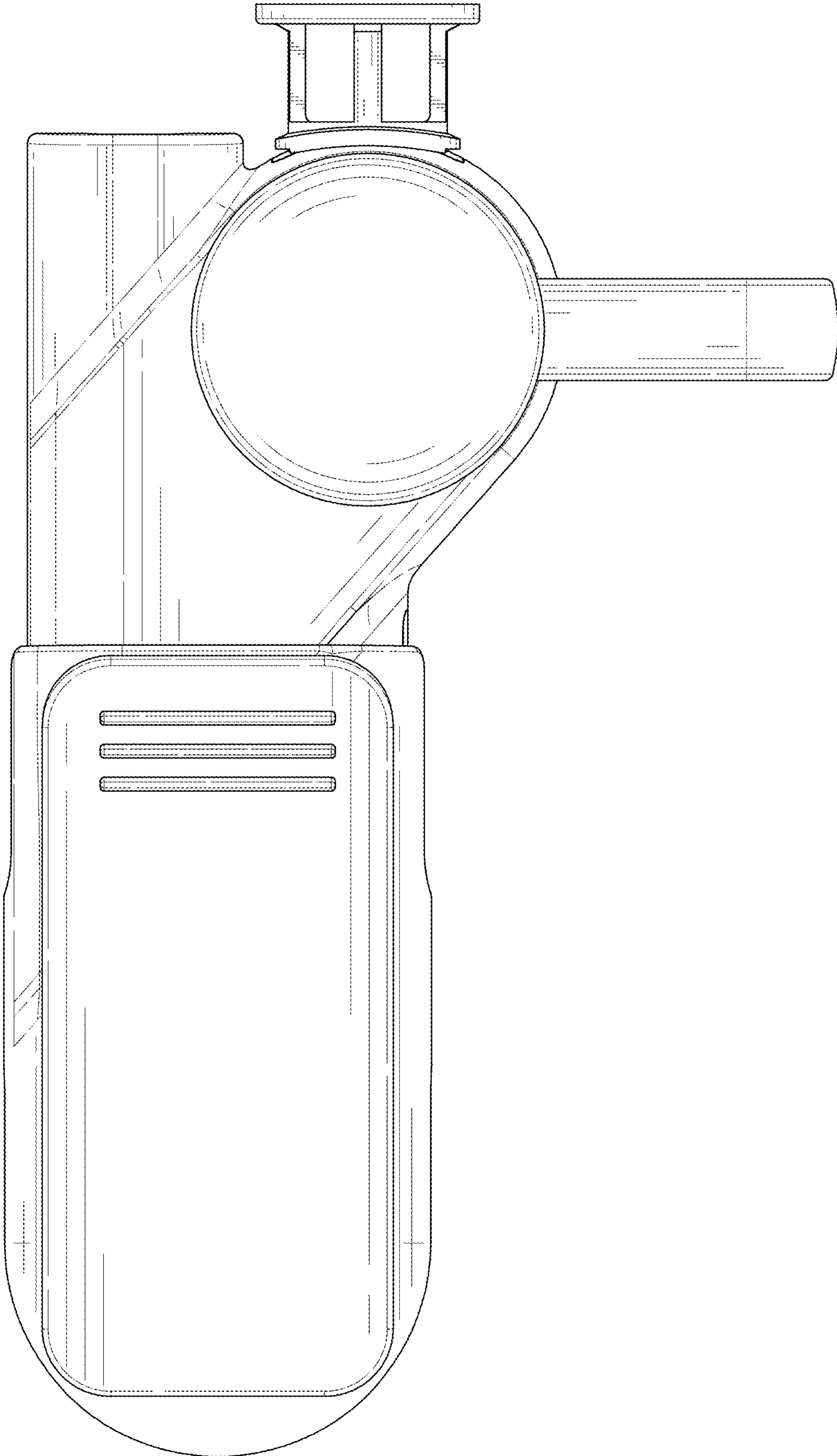


FIG. 3

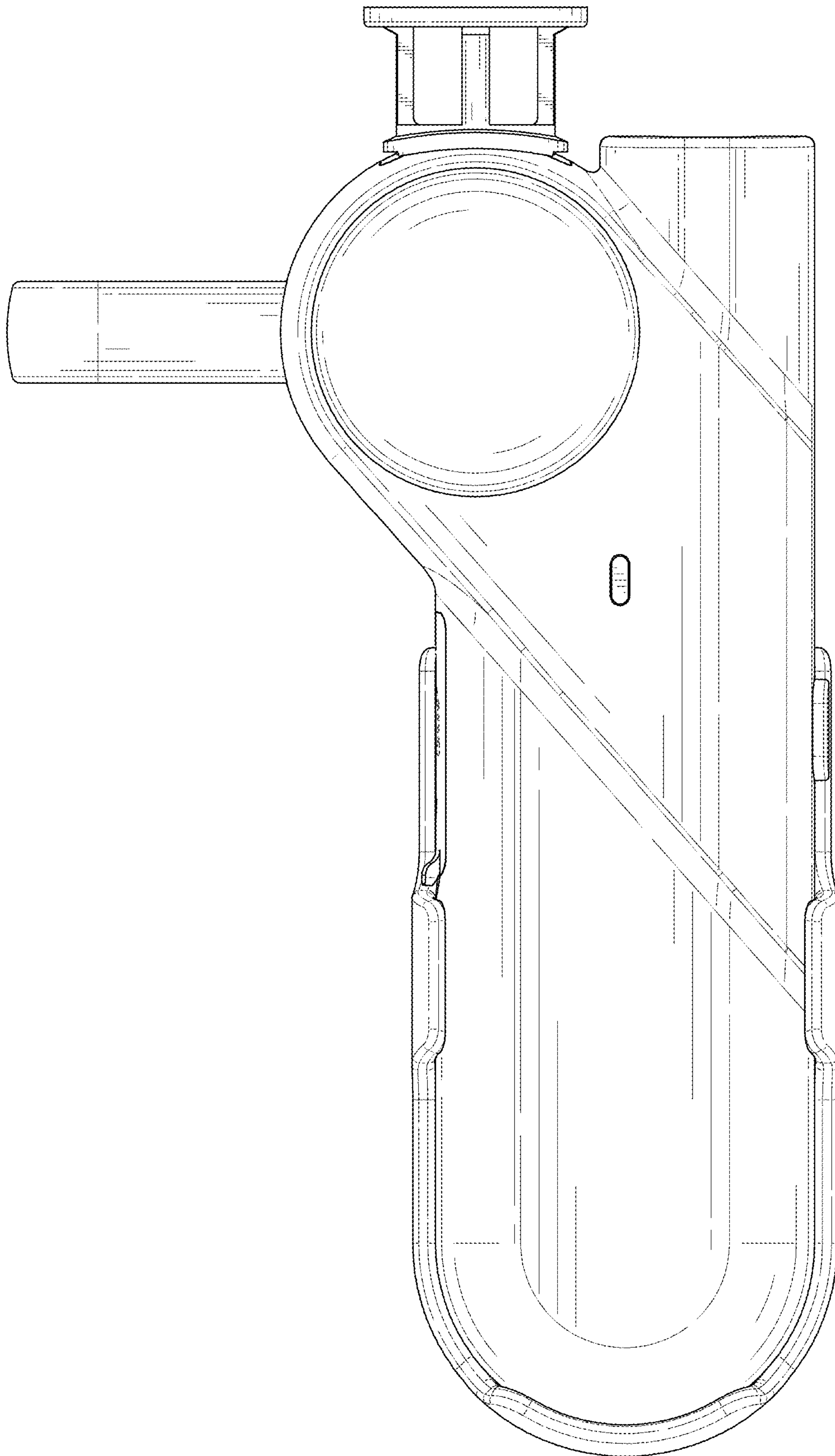


FIG. 4

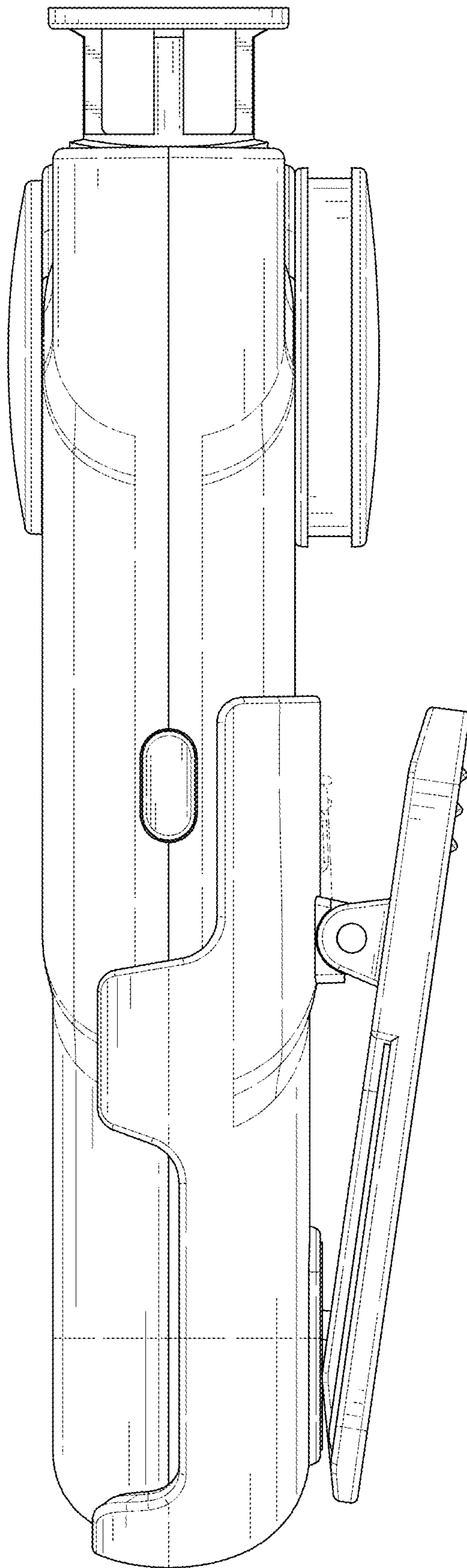


FIG. 5

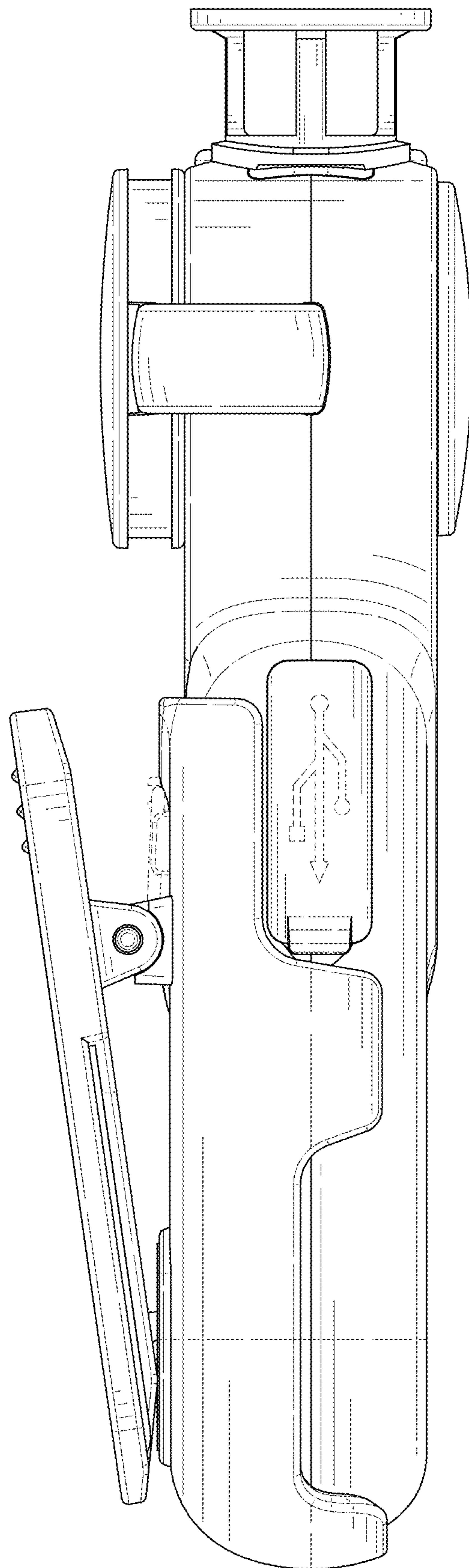


FIG. 6

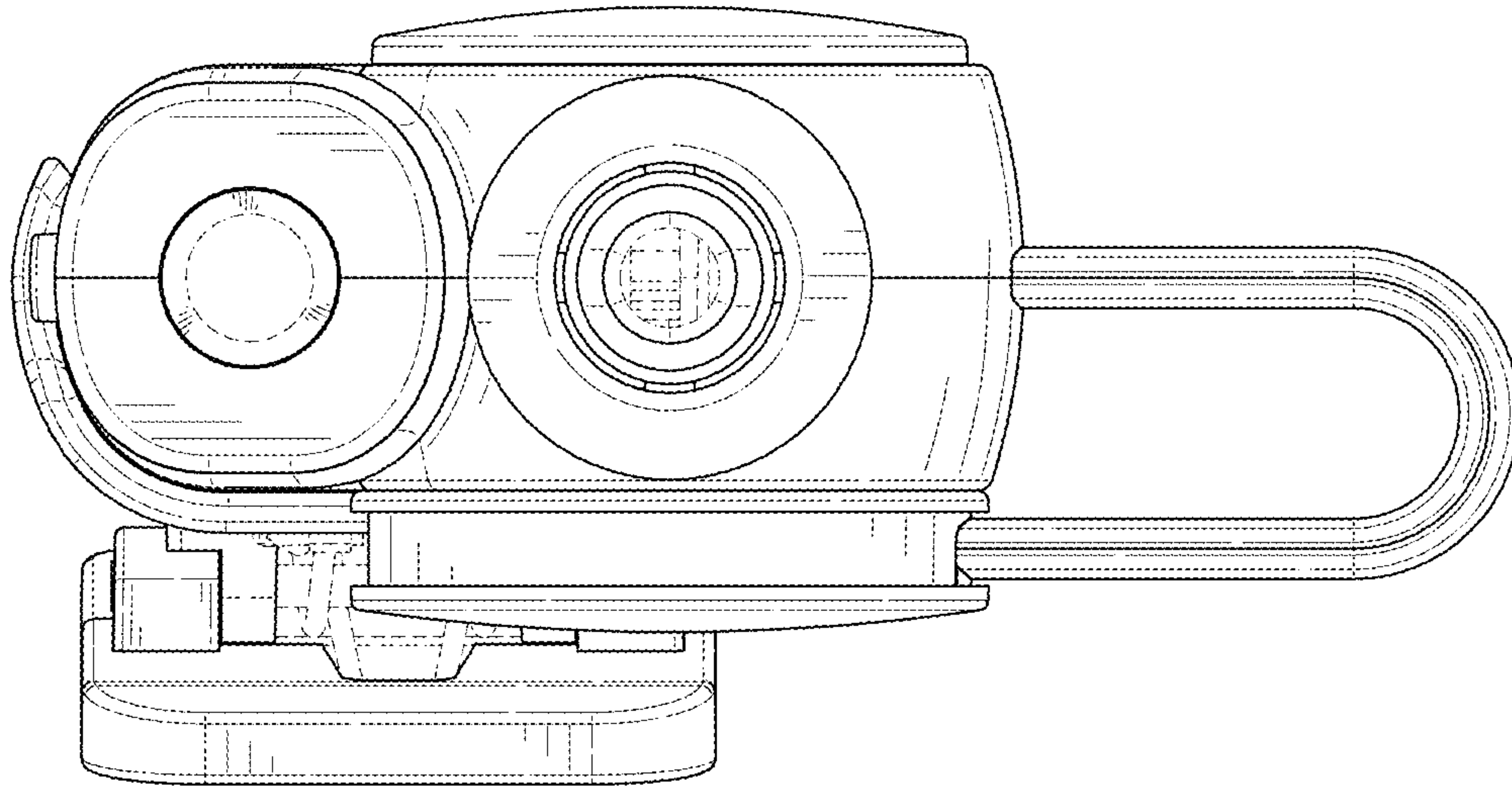


FIG. 7

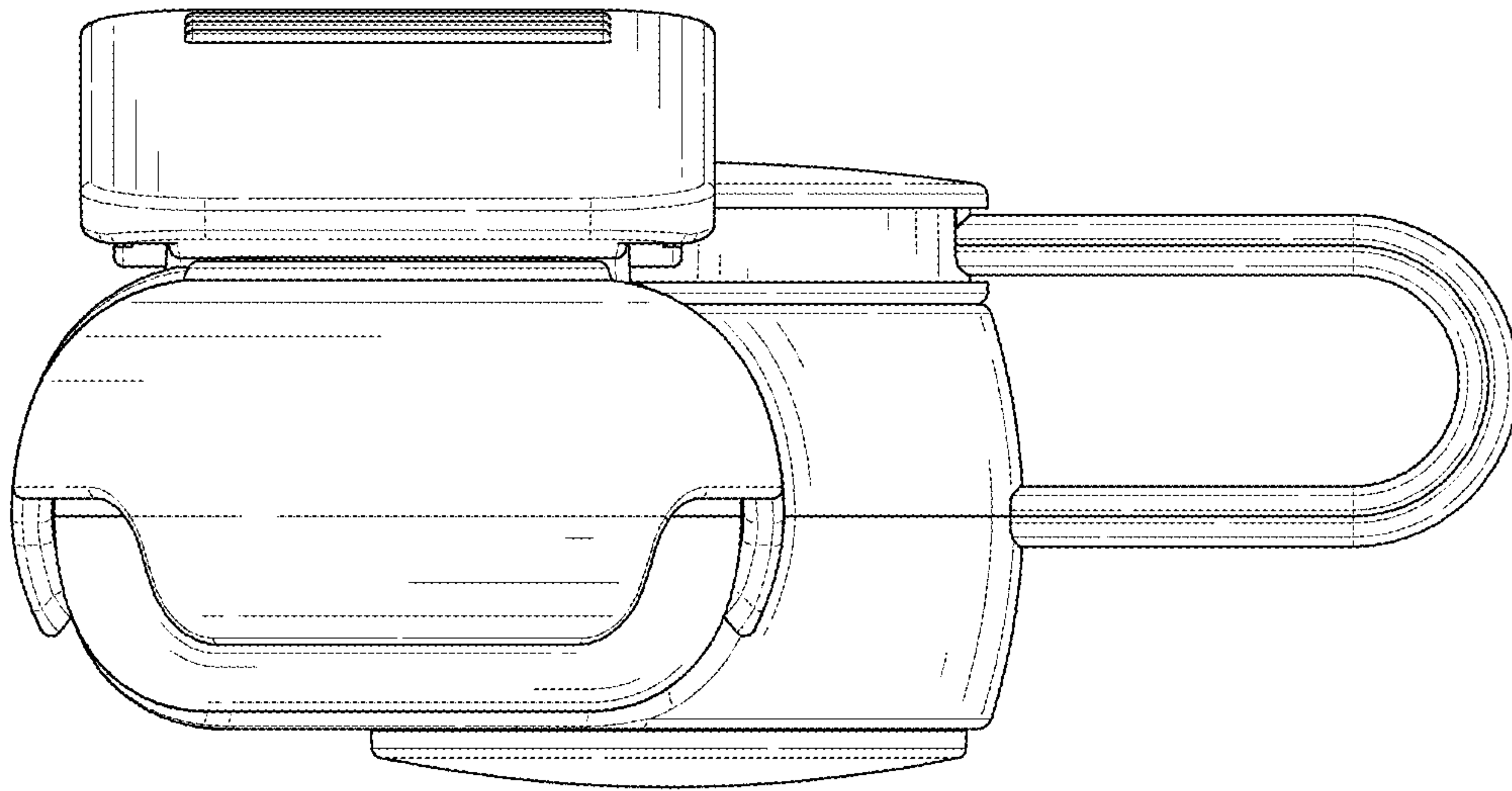


FIG. 8