



US00D973638S

(12) **United States Design Patent** (10) **Patent No.:** **US D973,638 S**  
**Akana et al.** (45) **Date of Patent:** **\*\* Dec. 27, 2022**

(54) **EARPHONE**

(71) Applicant: **Apple Inc.**, Cupertino, CA (US)

(72) Inventors: **Jody Akana**, San Francisco, CA (US); **Bartley K. Andre**, Palo Alto, CA (US); **Jeremy Bataillou**, San Francisco, CA (US); **Daniel J. Coster**, San Francisco, CA (US); **Daniele De Iuliis**, San Francisco, CA (US); **M. Evans Hankey**, San Francisco, CA (US); **Julian Hoenig**, San Francisco, CA (US); **Richard P. Howarth**, San Francisco, CA (US); **Jonathan P. Ive**, San Francisco, CA (US); **Duncan Robert Kerr**, San Francisco, CA (US); **Shin Nishibori**, Kailua, HI (US); **Matthew Dean Rohrbach**, San Francisco, CA (US); **Peter Russell-Clarke**, San Francisco, CA (US); **Christopher J. Stringer**, Woodside, CA (US); **Eugene Antony Whang**, San Francisco, CA (US); **Rico Zörkendörfer**, San Francisco, CA (US)

(73) Assignee: **Apple Inc.**, Cupertino, CA (US)

(\*\*) Term: **15 Years**

(21) Appl. No.: **29/837,327**

(22) Filed: **May 4, 2022**

**Related U.S. Application Data**

(63) Continuation of application No. 29/805,803, filed on Aug. 30, 2021, now Pat. No. Des. 951,235, which is a continuation of application No. 29/777,088, filed on Apr. 2, 2021, now Pat. No. Des. 929,377, which is a continuation of application No. 29/713,433, filed on Nov. 15, 2019, now Pat. No. Des. 915,354, which is a continuation of application No. 29/581,784, filed on Oct. 21, 2016, now Pat. No. Des. 867,325, which is a continuation of application No. 29/530,281, filed on Jun. 15, 2015, now Pat. No. Des. 769,849, which is a

continuation of application No. 29/493,749, filed on Jun. 12, 2014, now Pat. No. Des. 732,008, which is a continuation of application No. 29/453,449, filed on Apr. 29, 2013, now Pat. No. Des. 707,206, which is a continuation of application No. 29/431,563, filed on Sep. 8, 2012, now Pat. No. Des. 681,015.

(51) **LOC (13) CI.** ..... **14-01**

(52) **U.S. CI.**  
USPC ..... **D14/223; D14/205**

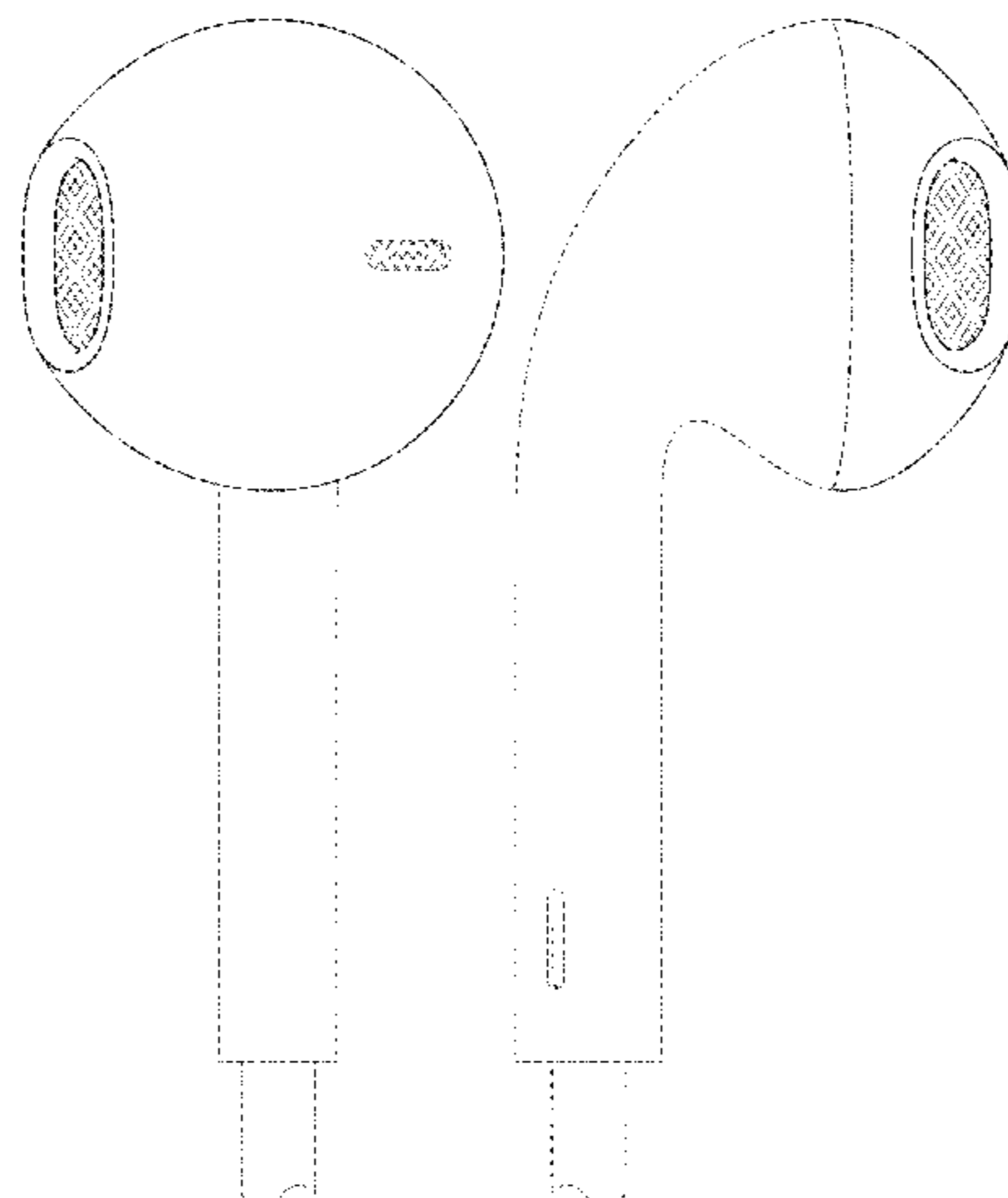
(58) **Field of Classification Search**  
USPC ..... D14/223, 205; D24/174; 128/864–866;  
381/380–381  
CPC ..... H04R 1/10; H04R 25/00; H04R 25/02;  
H04R 1/1066; H04R 1/1016; H04R  
5/033; H04R 5/0335; H04R 1/1033;  
H04R 1/105

See application file for complete search history.

(56) **References Cited**

**U.S. PATENT DOCUMENTS**

2,148,477 A	2/1939	Koch
2,595,489 A	5/1952	Rutter et al.
3,368,644 A	2/1968	Henderson
4,532,649 A	7/1985	Bellafiore
4,672,672 A	6/1987	Eggert et al.
4,677,675 A	6/1987	Killion et al.
4,736,430 A	4/1988	Schroder
4,965,838 A	10/1990	Kamon et al.
D331,057 S	11/1992	Isonaga
D337,118 S	7/1993	Seikita
D344,800 S	3/1994	Lamby
D353,379 S	12/1994	Nakamura et al.
5,420,935 A	5/1995	Shinohara et al.
D410,079 S	5/1999	Falco et al.
6,122,369 A	9/2000	Hwang et al.
D469,753 S	2/2003	Andre et al.
6,690,807 B1	2/2004	Meyer
D488,460 S	4/2004	Alwicker et al.
6,731,772 B1	5/2004	Byun
D499,397 S	12/2004	Hlas et al.
D505,132 S	5/2005	Linville et al.
D506,744 S	6/2005	Andre et al.
D515,070 S	2/2006	Andre et al.
D523,846 S	6/2006	Lee
D533,868 S	12/2006	Koizumi
D554,109 S	10/2007	Ledbetter et al.
D557,689 S	12/2007	Huang et al.



D566,687 S 4/2008 Duarte et al.  
D568,291 S 5/2008 Andre et al.  
D573,977 S 7/2008 Ledbetter et al.  
D575,269 S 8/2008 Ledbetter et al.  
D578,518 S 10/2008 Ewert  
D579,923 S 11/2008 Andre et al.  
D587,677 S 3/2009 Andre et al.  
D589,491 S 3/2009 Andre et al.  
D589,498 S 3/2009 Komiyama  
D590,375 S 4/2009 Komiyama  
D593,537 S 6/2009 Arimoto  
D596,616 S 7/2009 Andre et al.  
D599,330 S 9/2009 Andre et al.  
D601,134 S 9/2009 Elabidi et al.  
D616,874 S 6/2010 Matsuoka  
D618,209 S 6/2010 Andre et al.  
D618,210 S 6/2010 Andre et al.  
D618,219 S 6/2010 Burgett et al.  
D622,265 S 8/2010 Rye  
D626,948 S 11/2010 Nault  
D627,766 S 11/2010 Arimoto  
D628,193 S 11/2010 Zheng  
D632,282 S 2/2011 Kitayama  
D633,086 S 2/2011 Chen  
D635,960 S 4/2011 Gondo et al.  
D639,279 S 6/2011 Andre et al.  
D652,823 S 1/2012 Chen  
D656,481 S 3/2012 McManigal  
D662,493 S 6/2012 Chen  
D662,495 S 6/2012 Andre et al.  
D664,523 S 7/2012 Naitou  
D666,580 S 9/2012 Lee et al.  
D669,058 S 10/2012 Lee et al.  
D669,453 S 10/2012 Katsuraku et al.  
D674,781 S 1/2013 Sakata  
D675,194 S 1/2013 Andre et al.  
8,345,912 B2 1/2013 Akihiko et al.  
D676,427 S 2/2013 Yang  
8,391,533 B2 3/2013 Sim et al.  
D681,015 S 4/2013 Akana et al.  
D687,419 S 8/2013 Andre et al.  
8,515,116 B2 8/2013 Lee  
D691,594 S 10/2013 Akana et al.  
D694,220 S 11/2013 Lee et al.  
D694,249 S 11/2013 Akana et al.  
D706,643 S 6/2014 Akana et al.  
D707,206 S 6/2014 Akana et al.  
D707,706 S 6/2014 Akana et al.  
8,800,712 B2 8/2014 Campbell et al.  
D712,279 S 9/2014 Akana et al.  
D718,284 S 11/2014 Shibusawa  
D718,285 S 11/2014 Shibusawa  
8,965,030 B2 2/2015 Aase  
D728,533 S 5/2015 Poulsen et al.  
D732,007 S 6/2015 Oksman et al.  
D732,008 S 6/2015 Akana et al.  
D733,101 S 6/2015 Pi et al.  
D733,689 S 7/2015 Narita  
D747,295 S 1/2016 Eastwood et al.  
D755,759 S 5/2016 Cai  
D757,682 S \* 5/2016 Perez ..... D14/205  
D769,849 S 10/2016 Akana et al.  
D770,412 S \* 11/2016 Son ..... D14/223  
D770,425 S \* 11/2016 Son ..... D14/223  
D801,314 S \* 10/2017 Akana ..... D14/223  
D820,809 S \* 6/2018 Akana ..... D14/219  
D821,999 S \* 7/2018 Guo ..... D14/205  
D830,345 S \* 10/2018 Cai ..... D14/223  
D847,125 S \* 4/2019 Akana ..... D14/206  
D867,325 S \* 11/2019 Akana ..... H04R 1/1016  
D869,445 S \* 12/2019 Hu ..... D14/223  
D878,337 S \* 3/2020 Yang ..... D14/223  
D885,373 S \* 5/2020 Lundbäck ..... D14/223  
D889,437 S \* 7/2020 Ando ..... D14/223  
D889,439 S \* 7/2020 Hsieh ..... D14/223  
D889,440 S \* 7/2020 Yan ..... D14/223  
D900,065 S \* 10/2020 Distefano ..... D14/223  
D903,639 S \* 12/2020 Yang ..... D14/223

D914,645 S \* 3/2021 Akana ..... H04R 1/10  
D14/223  
D914,652 S \* 3/2021 Chen ..... D14/223  
D915,354 S \* 4/2021 Akana ..... H04R 1/10  
D14/223  
D924,851 S \* 7/2021 Li ..... D14/223  
D929,377 S \* 8/2021 Akana ..... H04R 1/10  
D14/223  
D930,621 S \* 9/2021 Rong ..... D14/223  
D934,204 S \* 10/2021 Liao ..... D14/223  
D936,637 S \* 11/2021 Lai ..... D14/223  
D938,385 S \* 12/2021 Park ..... D14/205  
D940,691 S \* 1/2022 Zhang ..... D14/223  
D949,833 S \* 4/2022 Akana ..... D14/223  
D951,235 S 5/2022 Akana et al.  
D953,301 S \* 5/2022 Ye ..... D14/223  
D956,722 S \* 7/2022 Zhou ..... D14/223  
2012/0155692 A1 6/2012 Chen  
2012/0237074 A1 9/2012 Aase  
2013/0004011 A1 1/2013 Hayashida et al.  
2013/0343595 A1 12/2013 Zorkendorfer et al.  
2015/0382100 A1 \* 12/2015 Azmi ..... H04R 1/1016  
381/380  
2016/0269818 A1 \* 9/2016 Mackay ..... H04R 1/1033  
2020/0107098 A1 \* 4/2020 DiFonzo ..... H01F 1/147  
2020/0275182 A1 \* 8/2020 Ettensberger ..... H04R 1/1041  
2020/0296499 A1 \* 9/2020 Chen ..... H04R 1/1016  
2021/0013917 A1 \* 1/2021 McCaughey ..... H04B 1/3838

FOREIGN PATENT DOCUMENTS

EM 008552137-0001 \* 5/2021  
EM 008935092-0001 \* 4/2022  
EM 009079056-0002 \* 7/2022  
GB 6215399 \* 6/2022

OTHER PUBLICATIONS

“iBlink WLP3 Earbuds—100Hz-10kHz, Noise Isolations, 3.5mm Jack, LED Light (Pink), White,” TigerDirect.com, <http://www.tigerdirect.com/applications/SearchTools/item-details.asp?EdpN-o=3988300&csid=.sub.--61>, dated Jan. 31, 2013; 4 pages.  
“Philips SHE2650/37 In-Ear Earbuds with Twin Vents,” ShoppingNexus.com, <http://www.shoppingnexus.com/electronics/pr/philips-she265037-in-ear-earbuds-with-twin-vents1.html>, dated Jan. 31, 2013; 1 page.

\* cited by examiner

*Primary Examiner* — Paula Allen Greene  
(74) *Attorney, Agent, or Firm* — Sterne, Kessler, Goldstein & Fox P.L.L.C.

(57) CLAIM

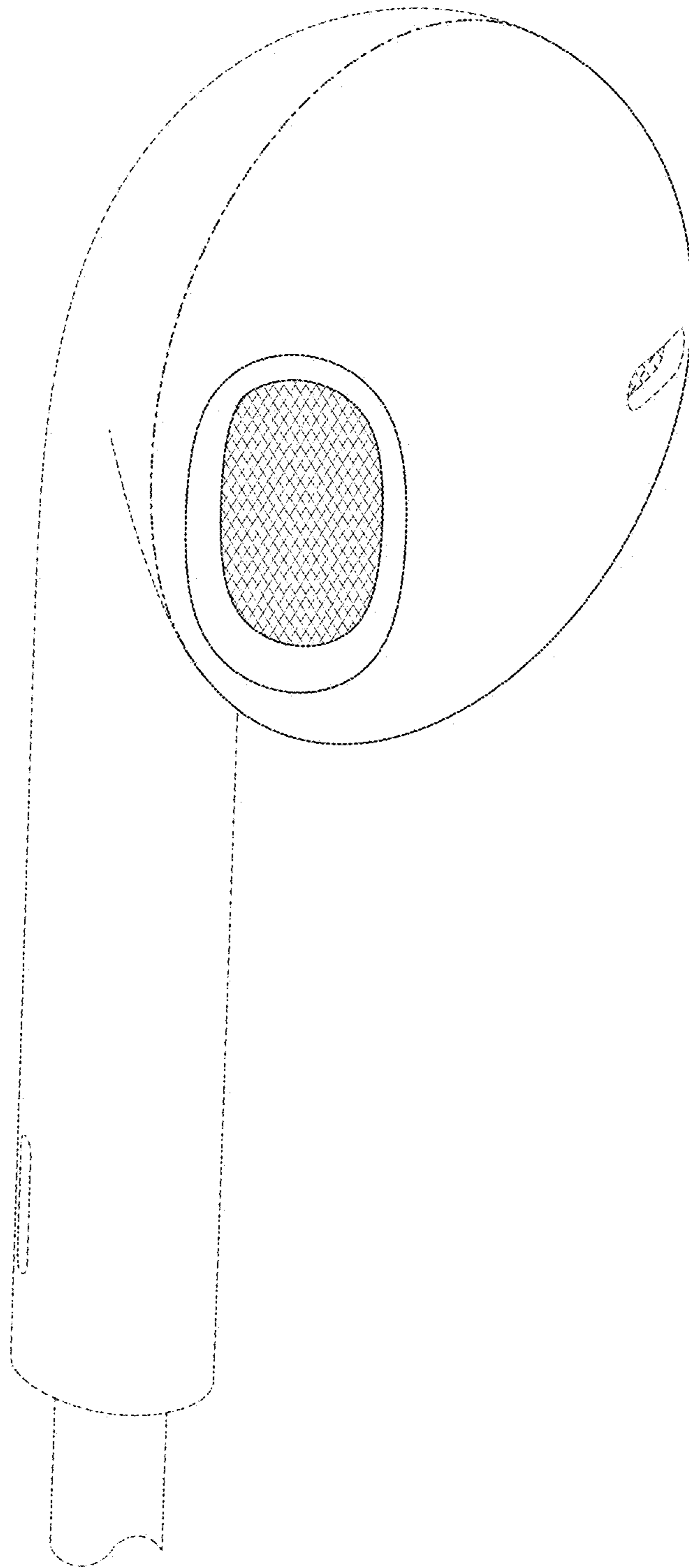
The ornamental design for an earphone, as shown and described.

DESCRIPTION

FIG. 1 is a front perspective view of an earphone showing the claimed design;  
FIG. 2 is a rear perspective view thereof;  
FIG. 3 is a front view thereof;  
FIG. 4 is a rear view thereof;  
FIG. 5 is a right side view thereof;  
FIG. 6 is a left side view thereof;  
FIG. 7 is a top view thereof; and,  
FIG. 8 is a bottom view thereof.

The dashed broken lines in the figures show portions of the earphone that form no part of the claimed design. The dot-dash lines in the figures show boundaries that form no part of the claimed design.

**1 Claim, 5 Drawing Sheets**



**FIG. 1**

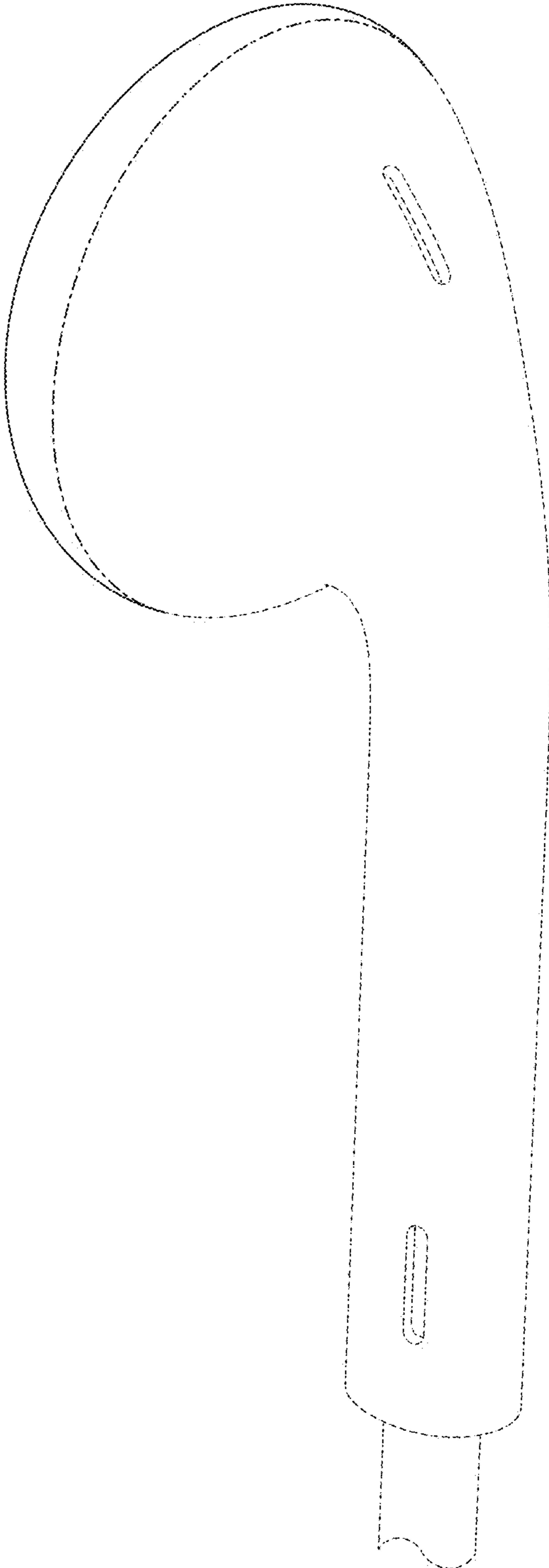


FIG. 2

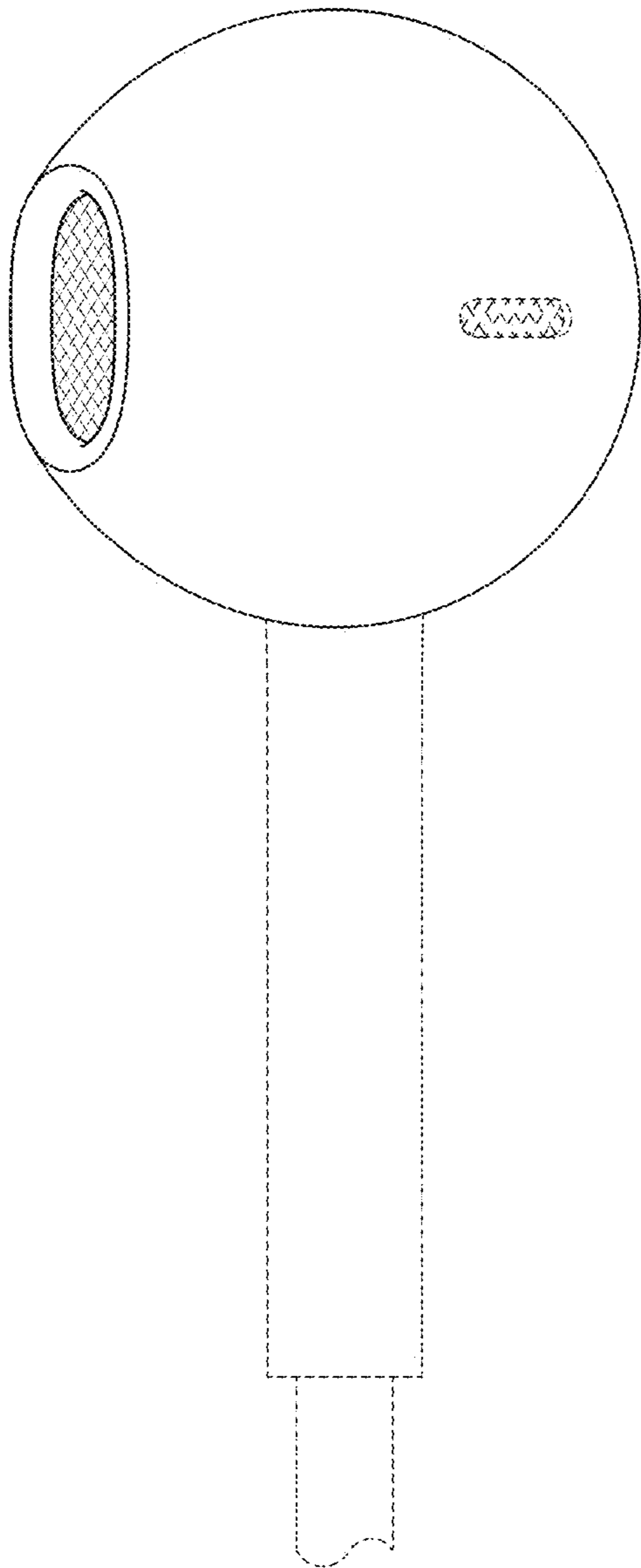


FIG. 3

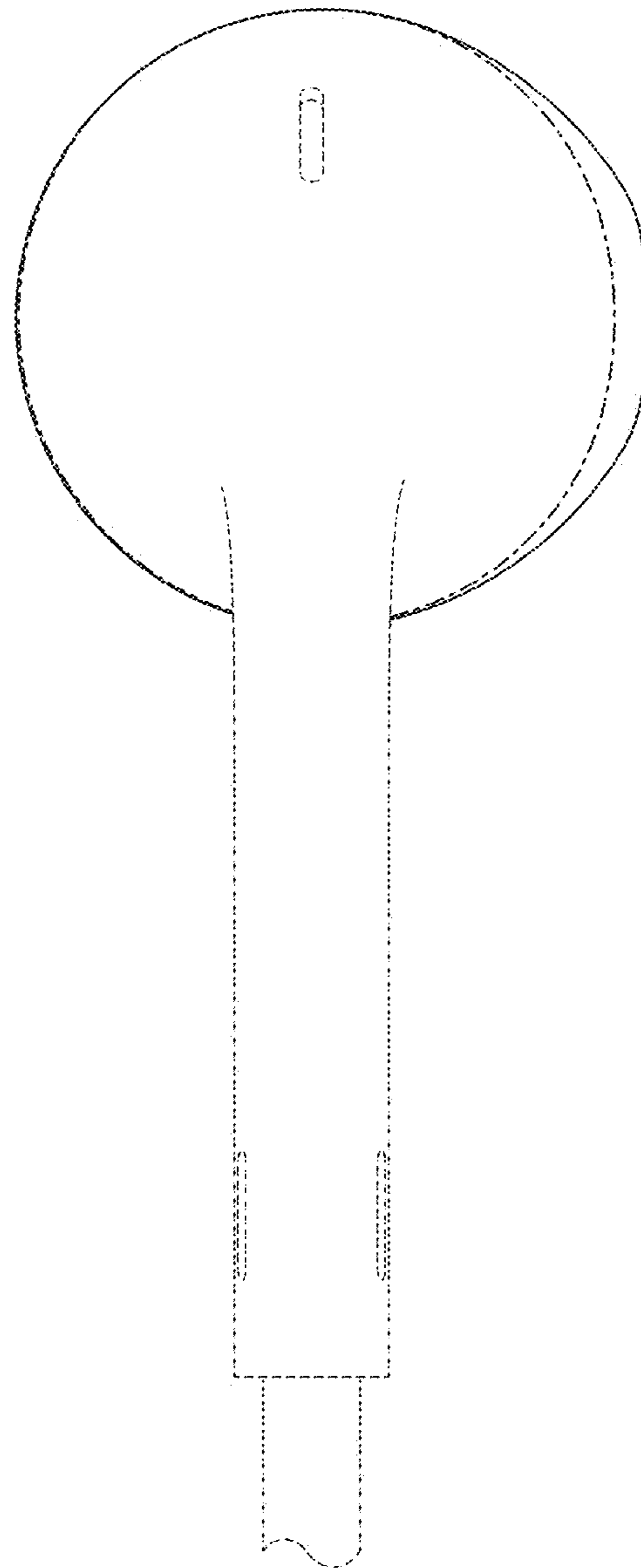


FIG. 4

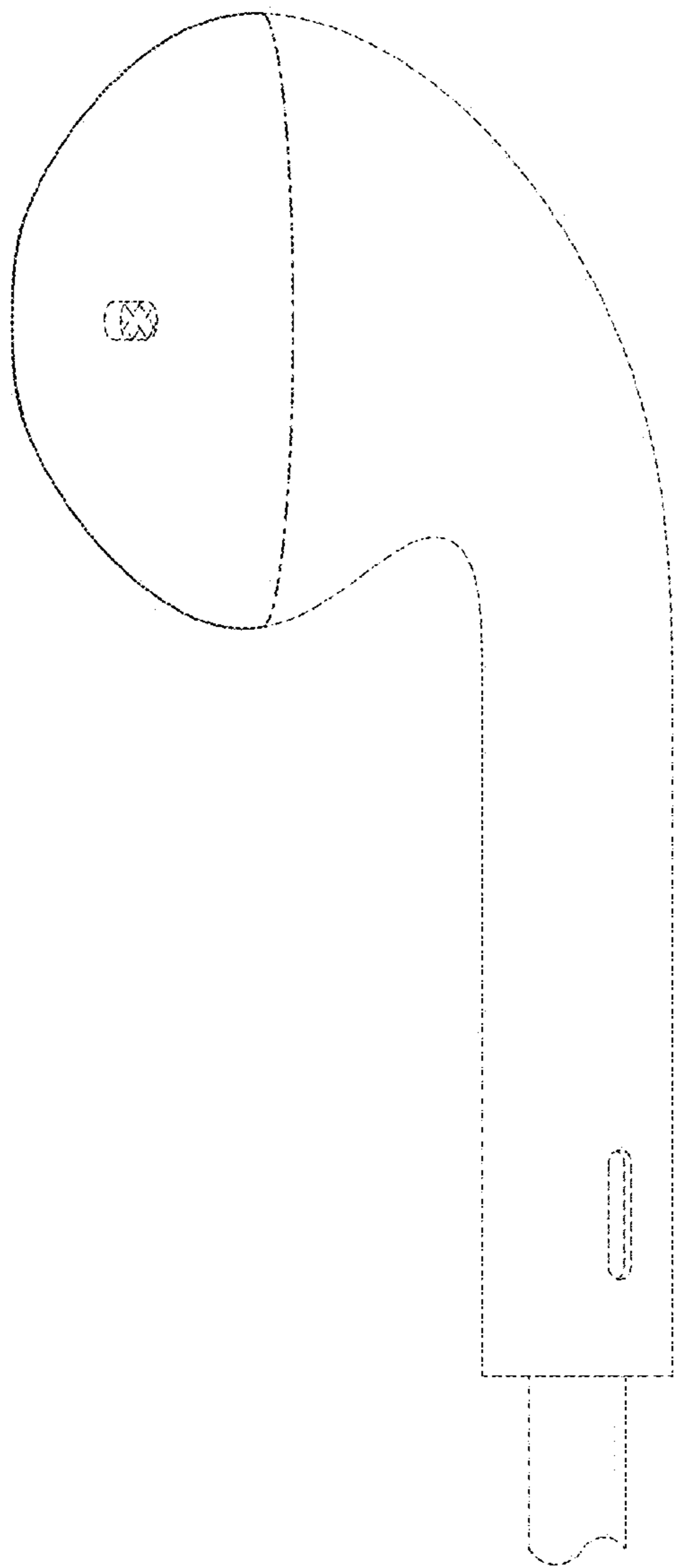


FIG. 5

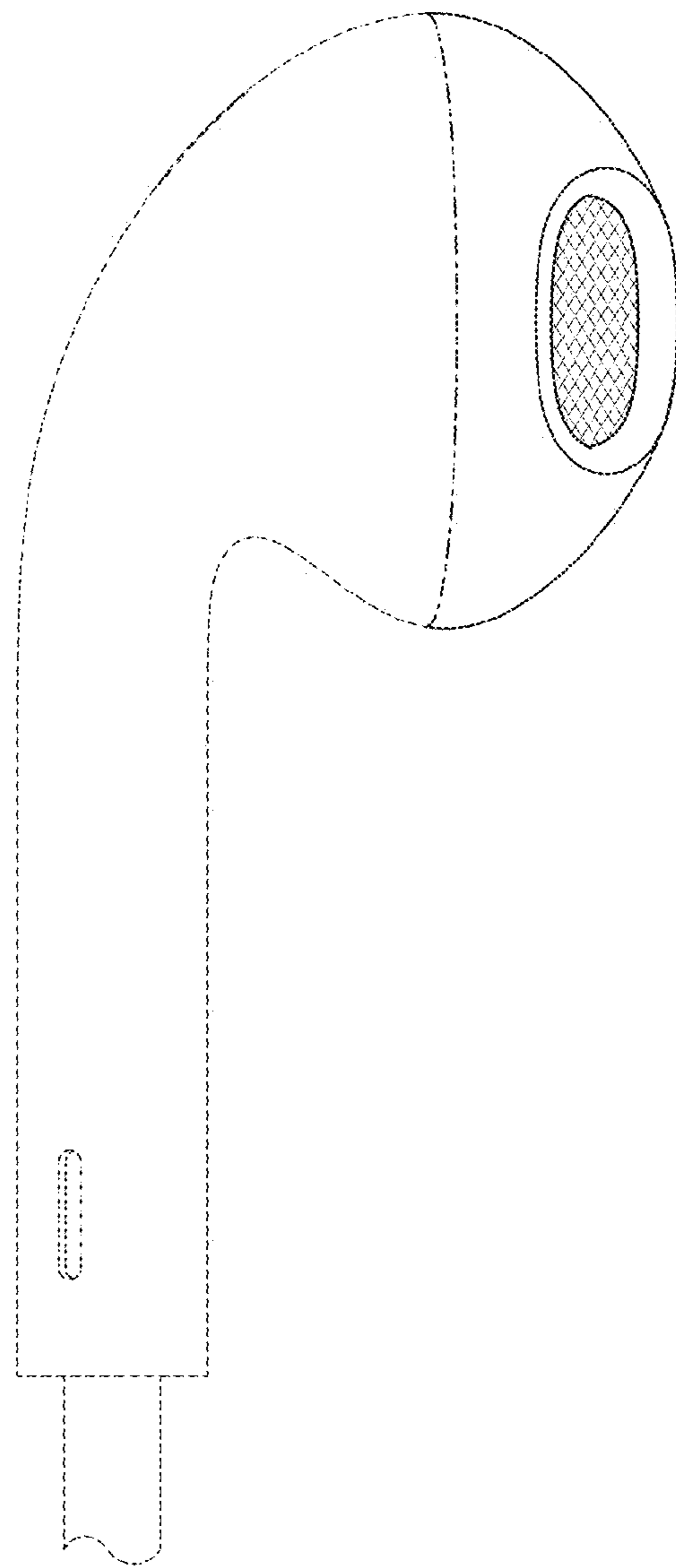
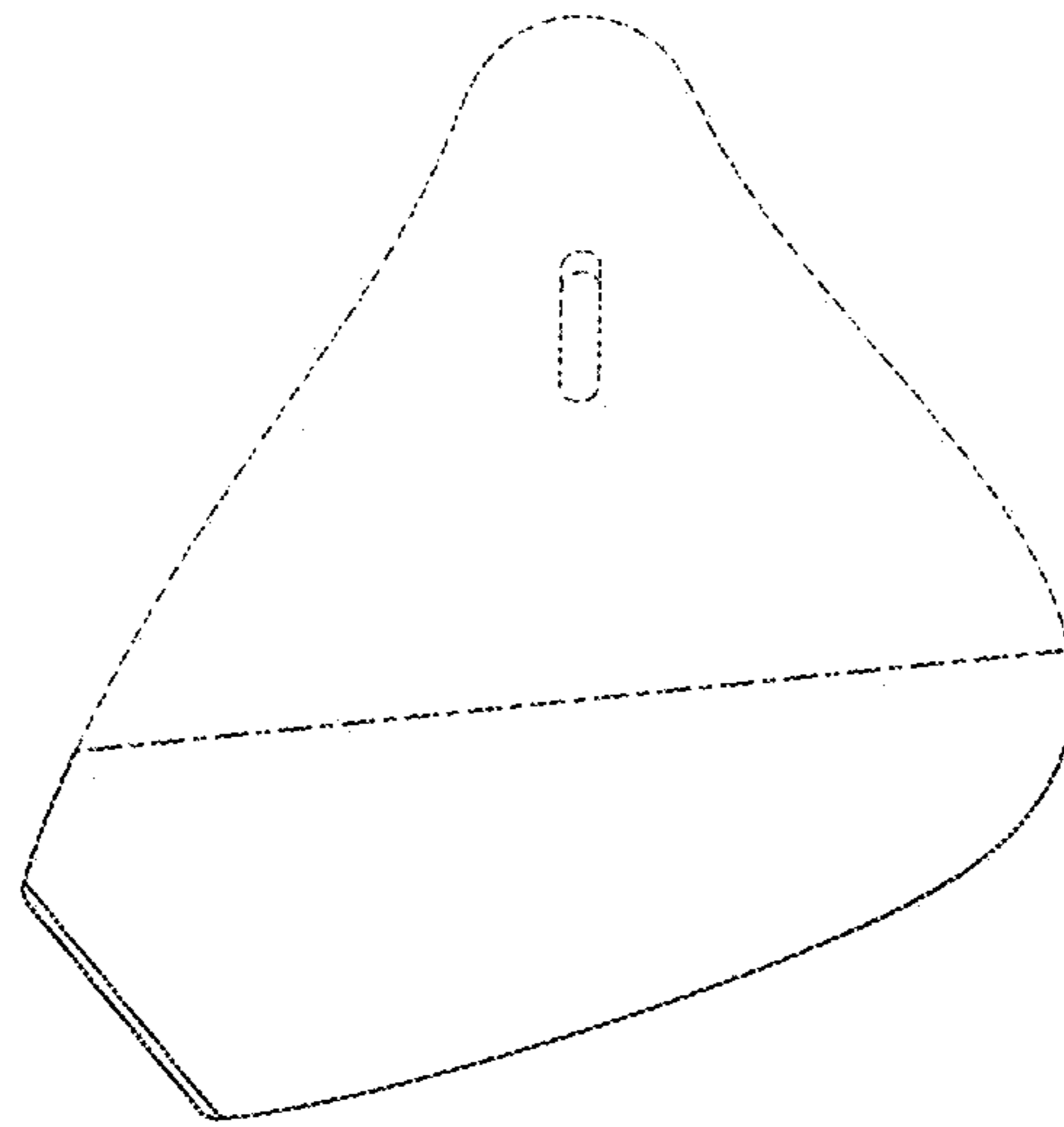
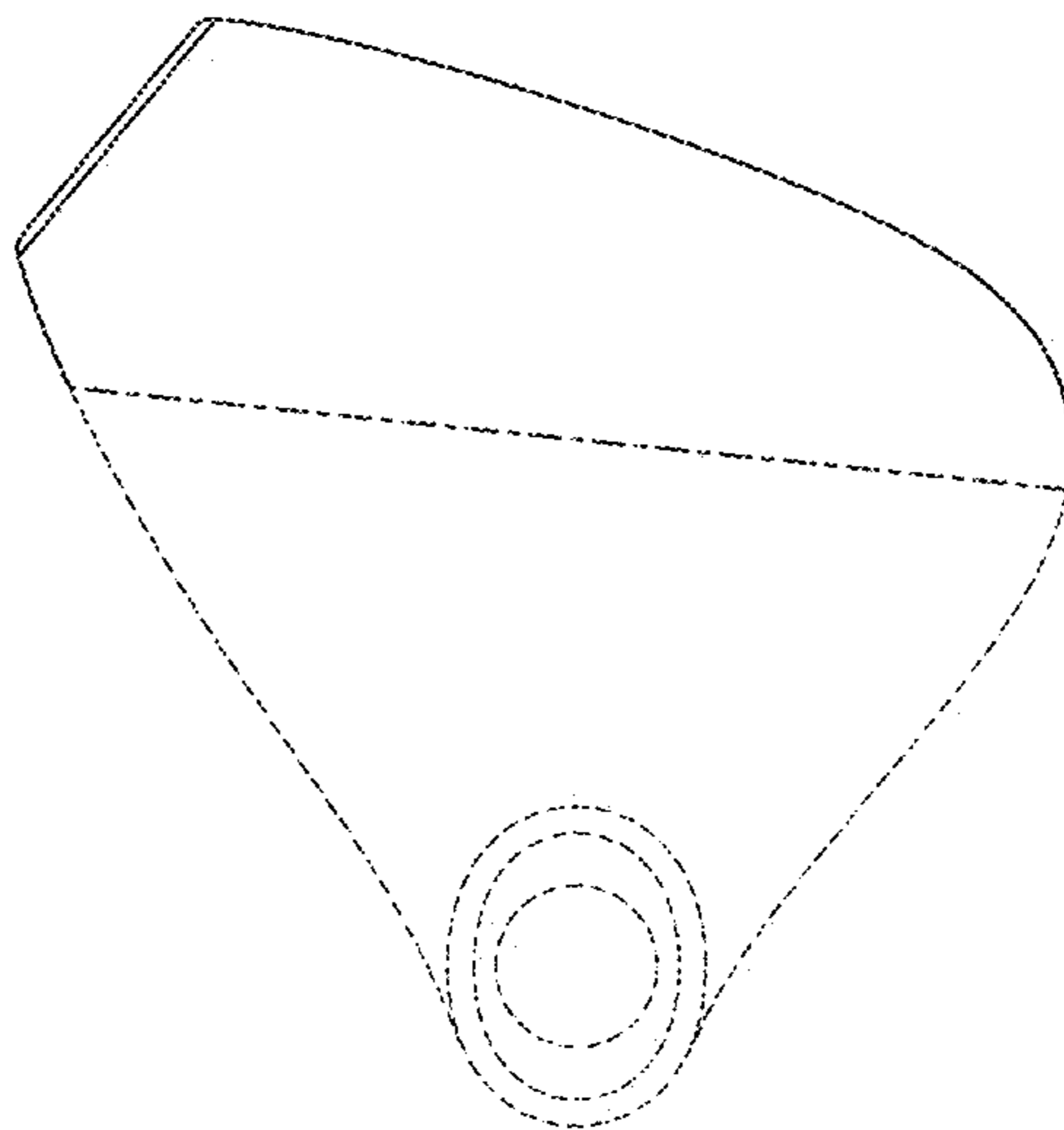


FIG. 6



**FIG. 7**



**FIG. 8**