



US00D973637S

(12) **United States Design Patent**
Rose et al.

(10) **Patent No.:** **US D973,637 S**

(45) **Date of Patent:** **** Dec. 27, 2022**

(54) **EARPHONE**

(71) Applicant: **Target Brands, Inc.**, Minneapolis, MN (US)

(72) Inventors: **Daniel C. Rose**, Minneapolis, MN (US); **Yousin Bayi Smith**, Minneapolis, MN (US); **Kent D. Katterheinrich**, Shoreview, MN (US); **Tyler J. Abrahamson**, Apple Valley, MN (US); **Nathan J. Romportl**, Minneapolis, MN (US)

(73) Assignee: **Target Brands, Inc.**, Minneapolis, MN (US)

(**) Term: **15 Years**

(21) Appl. No.: **29/765,857**

(22) Filed: **Jan. 12, 2021**

(51) **LOC (13) Cl.** **14-01**

(52) **U.S. Cl.**
USPC **D14/223**

(58) **Field of Classification Search**
USPC D14/223, 205; D24/174; 128/864-866; 381/380-381, 322, 328
CPC H04R 1/10; H04R 25/00; H04R 1/1016; H04R 1/1066; H04R 5/033; H04R 5/0335; H04R 1/1008; A61F 11/06; A61F 11/08

See application file for complete search history.

(56) **References Cited**

U.S. PATENT DOCUMENTS

D550,657 S 9/2007 Gan et al.
D725,082 S 3/2015 Palmborg et al.
(Continued)

FOREIGN PATENT DOCUMENTS

EM 008277826-0001 * 11/2020
EM 008841613-0001 * 1/2022
(Continued)

OTHER PUBLICATIONS

JLab Audio, "JBuds Air True Wireless Earbuds", <https://www.jlabaudio.com/products/jbuds-air-true-wireless-earbuds-charging-case>, at least as early as Oct. 2018, 1 page.

(Continued)

Primary Examiner — Paula Allen Greene

(74) *Attorney, Agent, or Firm* — Leanne Taveggia Farrell; Westman, Champlin & Koehler, P.A.

(57) **CLAIM**

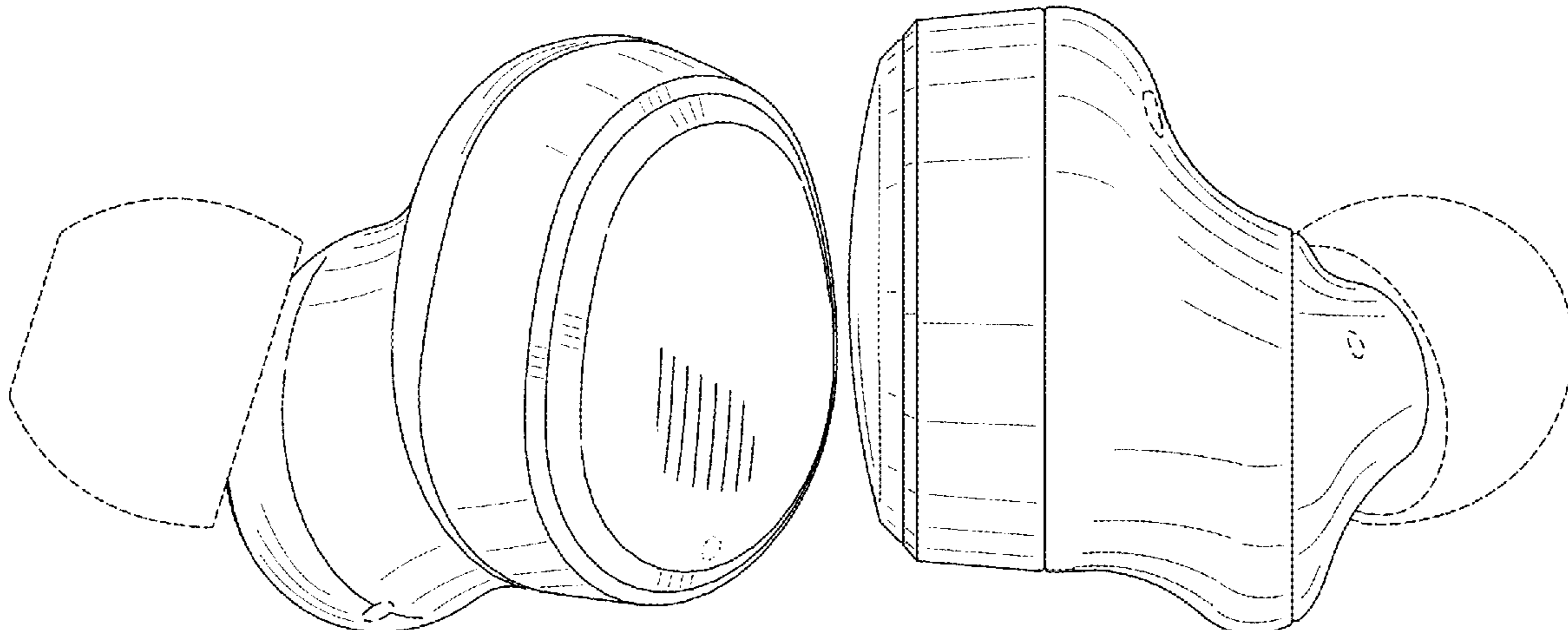
The ornamental design for an earphone, as shown and described.

DESCRIPTION

FIG. 1 is a perspective view of a first embodiment of an earphone showing our new design, the earphone of FIG. 1 is configured for use with a left ear of a user; FIG. 2 is a front view thereof; FIG. 3 is a back view thereof; FIG. 4 is a right side view thereof; FIG. 5 is a left side view thereof; FIG. 6 is a top view thereof; FIG. 7 is a bottom view thereof; FIG. 8 is a perspective view of a second embodiment thereof, the earphone of FIG. 8 is configured for use with a right ear of a user; FIG. 9 is a front view of FIG. 8; FIG. 10 is a back view of FIG. 8; FIG. 11 is a left side view of FIG. 8; FIG. 12 is a right side view of FIG. 8; FIG. 13 is a top view of FIG. 8; and, FIG. 14 is a bottom view of FIG. 8.

The broken lines shown in the drawings are included for purposes of illustrating portions of the earphone and form no part of the claimed design.

1 Claim, 8 Drawing Sheets



(56)

References Cited

U.S. PATENT DOCUMENTS

8,983,108 B2 * 3/2015 Ho H04R 1/1058
381/328
9,148,714 B2 * 9/2015 Zhao H04R 1/021
D742,861 S 11/2015 Miyake et al.
D764,445 S 8/2016 Czaniecki
D777,710 S 1/2017 Palmborg et al.
D781,269 S 3/2017 Choe et al.
D782,998 S 4/2017 Shin et al.
D800,097 S 10/2017 Chen
D806,879 S 1/2018 Horbinski et al.
D812,042 S 3/2018 Xiao
D813,205 S * 3/2018 Palmborg D14/223
D813,848 S 3/2018 Palmborg
D841,626 S 2/2019 Tang
D841,627 S 2/2019 Wen
D843,353 S 3/2019 Zhang
D843,354 S 3/2019 Kumano
D845,926 S 4/2019 Aoyagi et al.
D845,932 S * 4/2019 Lu D14/223
D846,532 S 4/2019 Xiao
D847,126 S 4/2019 Loermann
D858,489 S 9/2019 Hu
D862,422 S 10/2019 Lindenberger
D863,263 S 10/2019 Yu
D864,167 S 10/2019 Wu
D868,752 S 12/2019 Zhu
10,516,934 B1 12/2019 Solbach
D872,064 S 1/2020 Cai
D875,714 S 2/2020 Kim et al.
D879,074 S 3/2020 Komiya et al.
D880,457 S 4/2020 Zhu
D883,257 S * 5/2020 Duddy D14/223
D883,261 S 5/2020 Zhang
D883,958 S 5/2020 Liu
D884,681 S 5/2020 Zhang
D885,372 S 5/2020 Wang
D887,395 S 6/2020 Wang
D889,441 S * 7/2020 Lin D14/223
D892,086 S 8/2020 Bonahoom et al.
D900,064 S * 10/2020 Laffon de Mazieres D14/223
D902,184 S * 11/2020 Yang D14/223
10,827,249 B1 * 11/2020 Pine H04R 1/1041
D912,016 S * 3/2021 Ando D14/223
D912,647 S * 3/2021 Williamson D14/223
D920,288 S * 5/2021 Vautour D14/223
D926,162 S * 7/2021 Dang D14/223
D930,615 S * 9/2021 Tanaka D14/223
D930,617 S * 9/2021 Tanaka D14/223
D939,479 S * 12/2021 Wang D14/223
D941,275 S * 1/2022 Liu D14/223
11,240,587 B1 * 2/2022 DeMaio H04R 1/1016
D945,405 S * 3/2022 Rose D14/223
D954,027 S * 6/2022 Chen D14/223
D959,411 S * 8/2022 Ando D14/223
D961,556 S * 8/2022 Hong D14/223
D964,322 S * 9/2022 Miyata D14/223
D964,323 S * 9/2022 Liu D14/223
2022/0109922 A1 * 4/2022 Takubo H04R 1/1091
2022/0141570 A1 * 5/2022 Wang H04R 1/1058
381/74

FOREIGN PATENT DOCUMENTS

EM 008860423-0005 * 2/2022
EM 009101983-0002 * 7/2022

OTHER PUBLICATIONS

Klipsch, “T5 True Wireless Earphones”, <https://www.klipsch.com/products/t5-true-wireless-earphones>, at least as early as Jun. 2019, 1 page.
MEE Audio, “X10 Truly Wireless Sports Earphones”, <https://www.meeaudio.com/X10>, at least as early as May 2019, 1 page.

Microsoft, “Surface Earbuds”, <https://www.microsoft.com/en-us/p/surface-earbuds/920bngqjshs?activetab=overview>, at least as early as Nov. 6, 2019, 1 page.
Motorola, “Vervebuds”, <https://www.motorola.com/us/vervebuds-100-true-wireless-sport-earbuds/p>, at least as early as 2020, 1 page.
Mpow “Mpow M12 Wireless Earbuds”, <https://www.xmpow.com/products/mpow-m12-wireless-earbuds>, at least as early as 2019, 1 page.
Mpow “Mpow T6 True Wireless Earbuds”, <https://www.xmpow.com/products/mpow-t6-true-wireless-earbuds>, at least as early as 2019, 1 page.
Nerd Techy, “Mpow T5 True Wireless Earbuds”, <https://nerdtechy.com/mpow-t5-review>, at least as early as Jan. 10, 2019, 1 page.
Nokia, “Nokia True Wireless Earbuds”, https://www.nokia.com/phones/en_us/nokia-true-wireless-earbuds, at least as early as 2019, 1 page.
Nuforce, “BE Free5”, <https://www.optoma.com/us/product/be-free5/>, at least as early as May 2019, 1 page.
Nuheara, “IQbuds Boost”, <https://www.nuheara.com/iqbuds-boost/>, at least as early as Jul. 2018, 1 page.
Peag, LLC dba Jlab Audio, “Jbuds Air Executive True Wireless Earbuds”, <https://www.jlabaudio.com/collections/earbuds/products/go-air-true-wireless-earbuds>, at least as early as Jun. 2019, 1 page.
Plantronics, “BackBeat PRO 5100”, <https://www.plantronics.com/us/en/product/backbeat-pro-5100>, at least as early as Sep. 2019, 1 page.
Samsung, “Galaxy Buds”, <https://www.samsung.com/us/mobile/audio/headphones/galaxy-buds-black-sm-r170nzkaxar/>, at least as early as Mar. 2019, 2 pages.
Sennheiser, “Momentum True Wireless”, <https://en-us.sennheiser.com/truewireless-details>, at least as early as 2018, 1 page.
Shenzhen Soundsoul Information Technology, <https://www.soundpeatsaudio.com/en/true-wireless-earbuds-truefree2.html>, at least as early as 2019, 1 page.
Skullcandy, “Sesh True Wireless Earbuds”, <https://www.skullcandy.com/shop/earbuds/bluetooth-earbuds/sesh>, at least as early as Aug. 2019, 1 page.
Sony Corp, WF-XB700, <https://www.sony.com/electronics/truly-wireless/wf-xb700>, at least as early as Apr. 2020, 1 page.
Sudio, “Tolv Wireless”, <https://www.sudio.com/us/earphones>, at least as early as May 2019, 1 page.
GeeKee, “G650 True Wireless Earbuds”, <https://www.getgeekee.com/products/true-wireless-earbuds-bluetooth-5-0-headphones-aptx-lossless-cvc-dual-mic-noise-cancelling-clear-voice-call-in-ear-headset-iph7-waterproof-40h-wireless-charging-case-sports-earphone>, at least as early as 2020, 1 page.
JBL, “JBL Free X”, https://www.jbl.com/wireless-headphones/JBL+FREE+X.html?cgid=wireless-headphones&dwvar_JBL%20FREE%20X_color=Black-USA-Current#start=1, at least as early as 2018, 1 page.
Mee Audio, “X10 Truly Wireless Sports Earphones”, <https://www.meeaudio.com/X10>, at least as early as May 2019, 1 page.
Mpow “Mpow T6 Wireless Earbuds”, <https://www.xmpow.com/products/mpow-t6-wireless-earbuds>, at least as early as 2019, 1 page.
Mpow “Mpow T5 True Wireless Earbuds”, <https://www.nerdtechy.com/mpow-t5-review>, at least as early as Jan. 10, 2019, 1 page.
PEAG, LLC dba Jlab Audio, “Jbuds Air Executive True Wireless Earbuds”, <https://www.jlabaudio.com/collections/earbuds/products/go-air-true-wireless-earbuds>, at least as early as Jun. 2019, 1 page.
Bang & Olufsen, “Beoplay E8 2nd Gen”, <https://www.bang-olufsen.com/en/earphones/beoplay-e8?variant=beoplay-e8-2-indigoblue>, at least as early as Apr. 2019, 1 page.
Bose, “SoundSport Free wireless headphones”, https://www.bose.com/en_us/products/headphones/earphones/soundsport-free-wireless.html, at least as early as Sep. 2017, 1 page.
Crazybaby, “Air (Nano)”, <https://crazybaby.com/air-nano>, at least as early as Dec. 2016, 1 page.
Creative, “Creative Outlier Air”, https://us.creative.com/p/headphones-headsets/creative-ouffier-air?gclid=EAlalQobChMlz8eEwo7U5QIVRr7ACh2gNQ-DEAAYASAAEgJYUvD_BwE, at least as early as Feb. 2019, 1 page.

(56)

References Cited

OTHER PUBLICATIONS

GeeKee, "G650 True Wireless Earbuds", <https://www.getgeekee.com/products/true-wireless-earbuds-bluetooth-5-0-headphones-aptx-lossless-cvc-dual-mic-noise-cancelling-clear-voice-call-in-ear-headset-tpx7-waterproof-40h-wireless-charging-case-sports-earphones>, at least as early as 2020, 1 page.

Google, "Google Pixel Buds", https://store.google.com/us/product/pixel_buds, at least as early as Fall 2019, 1 page.

Jabra, "Jabra Elite 75t", <https://www.jabra.com/bluetooth-headsets/jabra-elite-75t/#/100-99090000-02>, at least as early as Oct. 2019, 1 page.

Jam, "Live Free Truly Wireless Earphones", <https://www.jamaudio.com/live-free-truly-wireless-earphones>, at least as early as Sep. 2019, 1 page.

JBL, "JBL Free X", https://www.jbl.com/wireless-headphones/JBL+FREE+X.html?cgid=wireless-headphones&dwvar_JBL%20FREE%20X_color=Black-USA-Current#start=1, at least as early as 2018, 1 page.

JBL, "JBL Tune 120TWS", https://www.jbl.com/wireless-headphones/JBL+TUNE120TWS.html?dwvar_JBL%20TUNE120TWS_color=Black-USA-Current, at least as early as Jun. 2019, 1 page.

Design patent application entitled "Earphone" from U.S. Appl. No. 29/730,092, filed Apr. 1, 2020, 9 pages.

Design patent application entitled "Earphone" from U.S. Appl. No. 29/730,093, filed Apr. 1, 2020, 9 pages.

Design patent application entitled "Earphone" from U.S. Appl. No. 29/765,856, filed Jan. 12, 2021, 9 pages.

Creative, "Creative Outlier Air", https://us.creative.com/p/headphones-headsets/creative-outlier-air?gclid=EAlalQobChMIz8eEwo7U5QIVRr7ACh2gNQ-DEAAYASAAEgJYUvD_BwE, at least as early as Feb. 2019, 1 page.

AliExpress, "Mpow M20 Wireless Earphones", https://www.aliexpress.com/item/4000792592808.html?src=google&src=google&albch=shopping&acnt=494-037-6276&isdl=y&sInk=&plac=&mtctp=&albt=Google_7_shopping&aff_platform=google&aff_short_key=UneMJZVf&&albagn=888888&albcp=1582410664&albag=59754279756&trgt=743612850874&crea=en4000792592808&netw=u&device=c&albp=743612850874&albpd=en4000792592808&gclid=CjwKCAjw95D0BRBFEiwAcO1KDL9L7kbCTtQy4kLF1hTph-gY_ATEc-hZ5s6X1x9tUK50bGE_-GLPchoCA9QQAvD_BwE&gclid=aw.ds, at least as early as Nov. 6, 2019, 1 page.

* cited by examiner

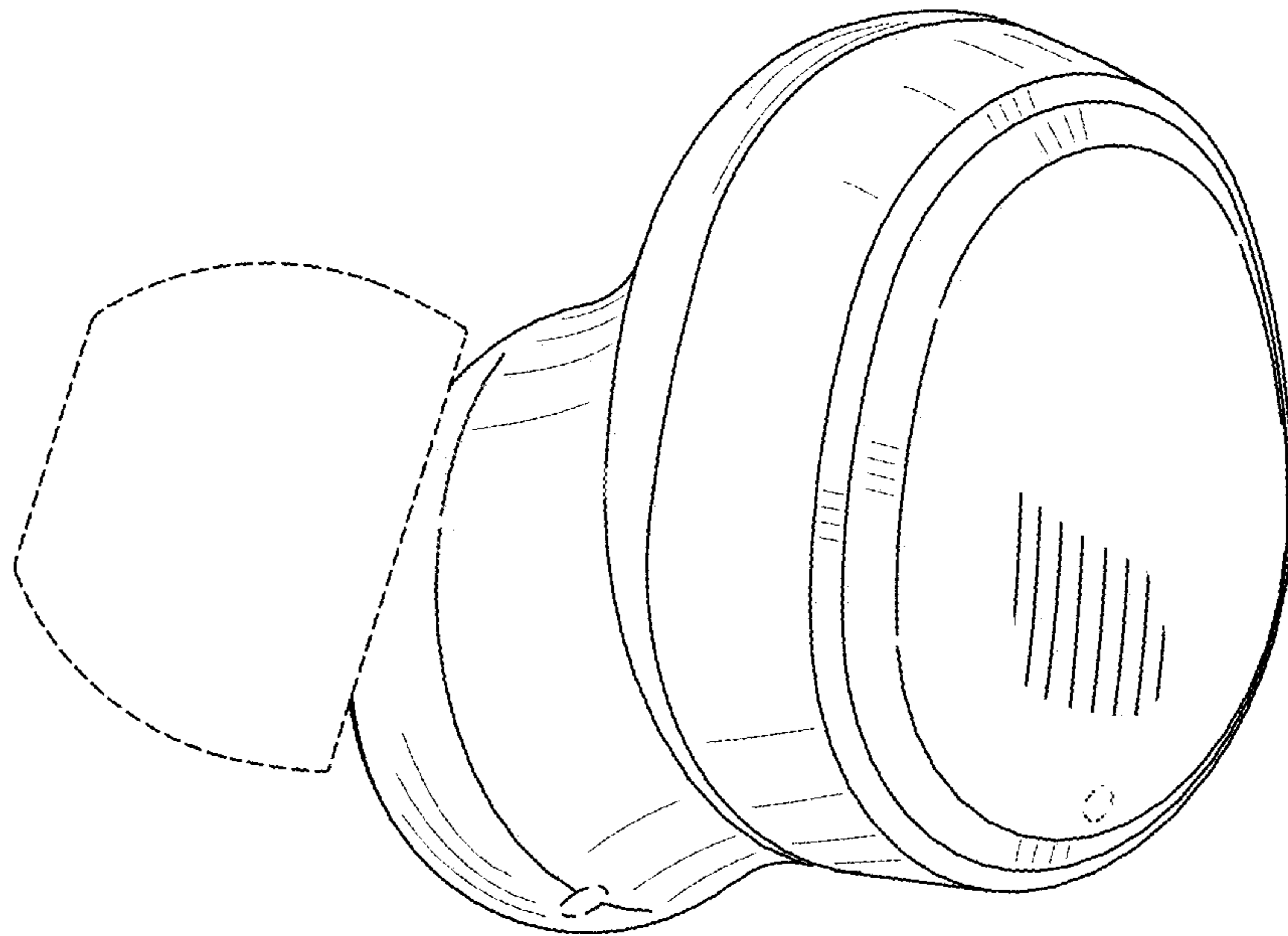


Fig. 1

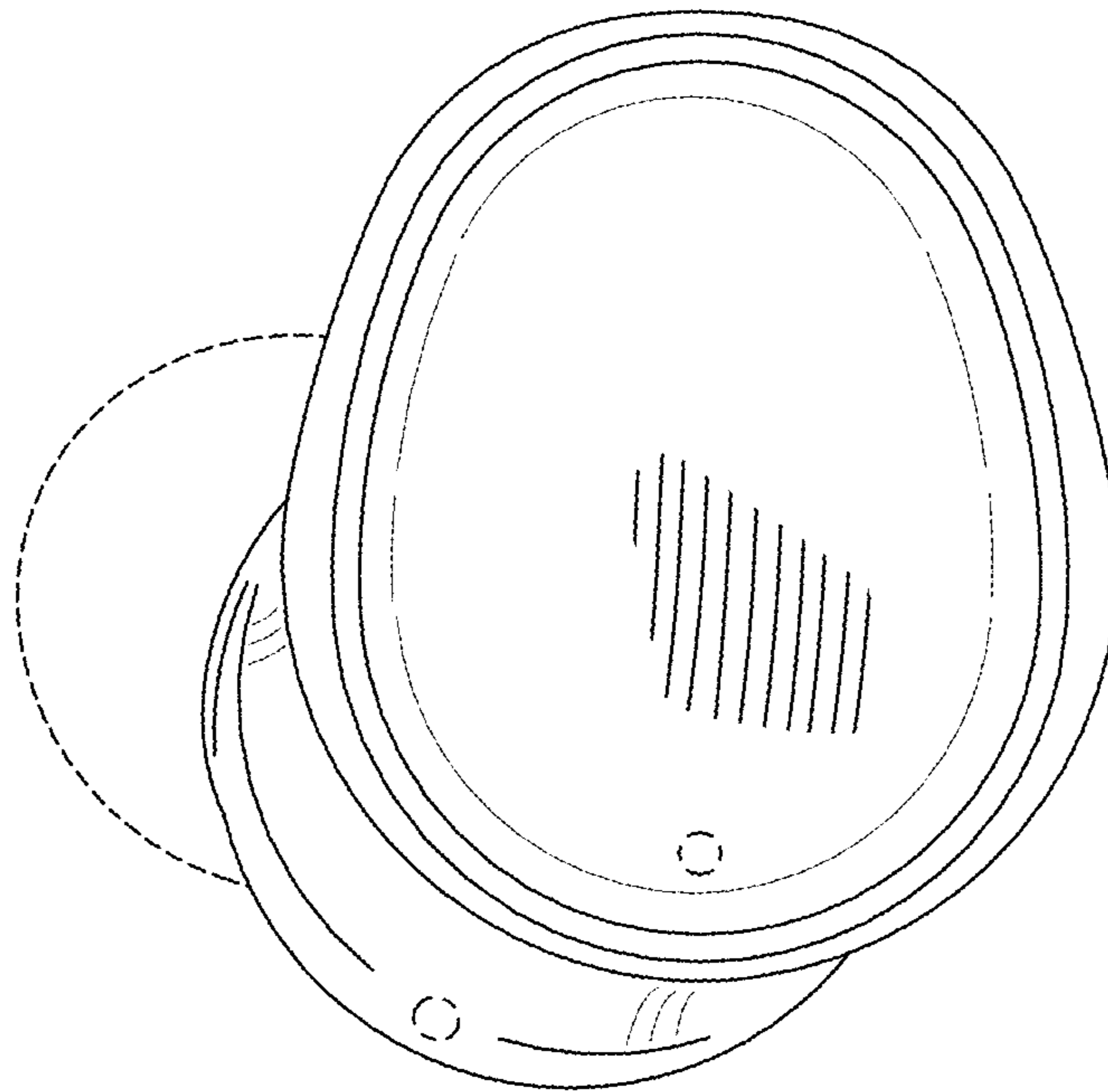


Fig. 2

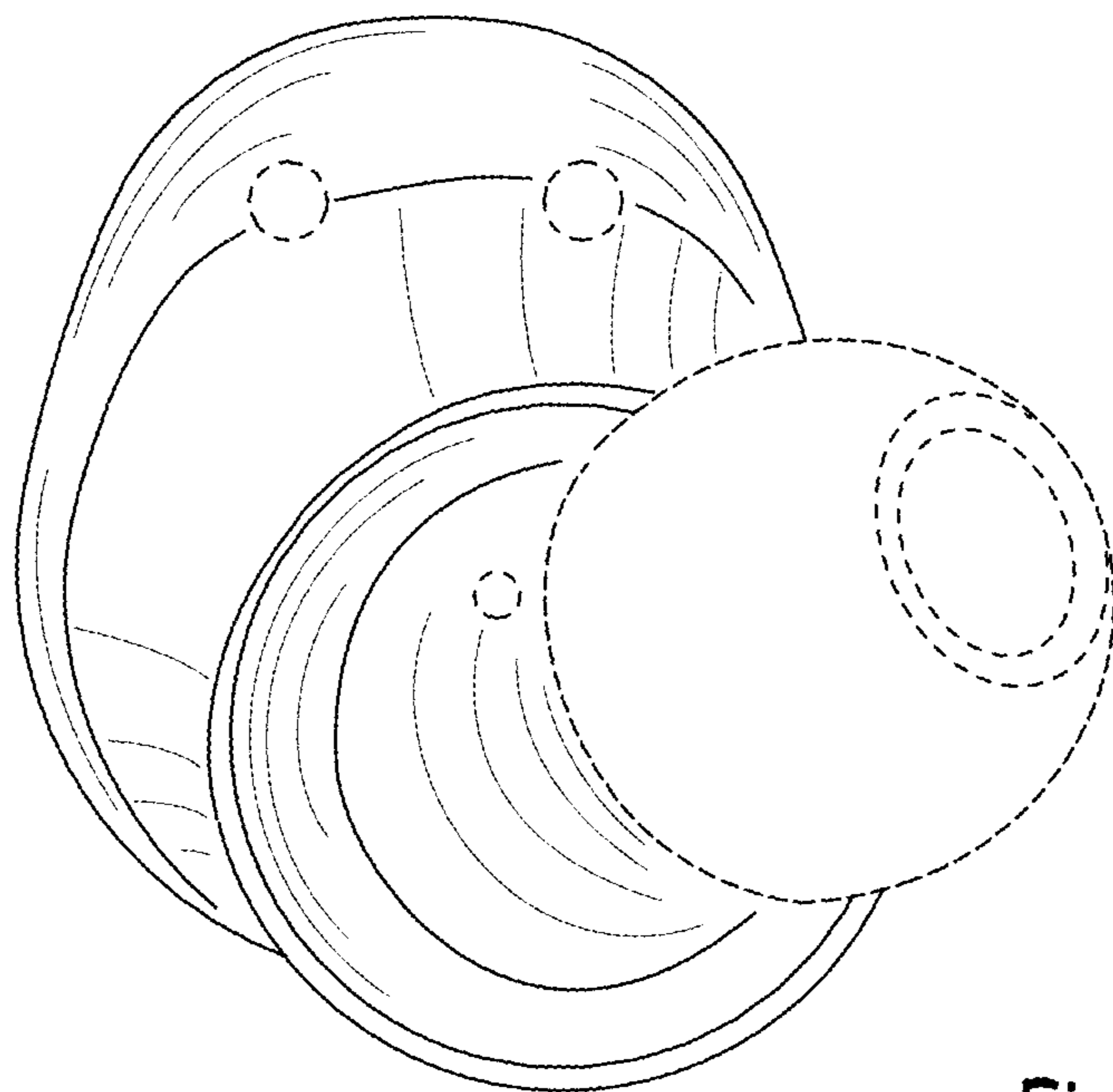


Fig. 3

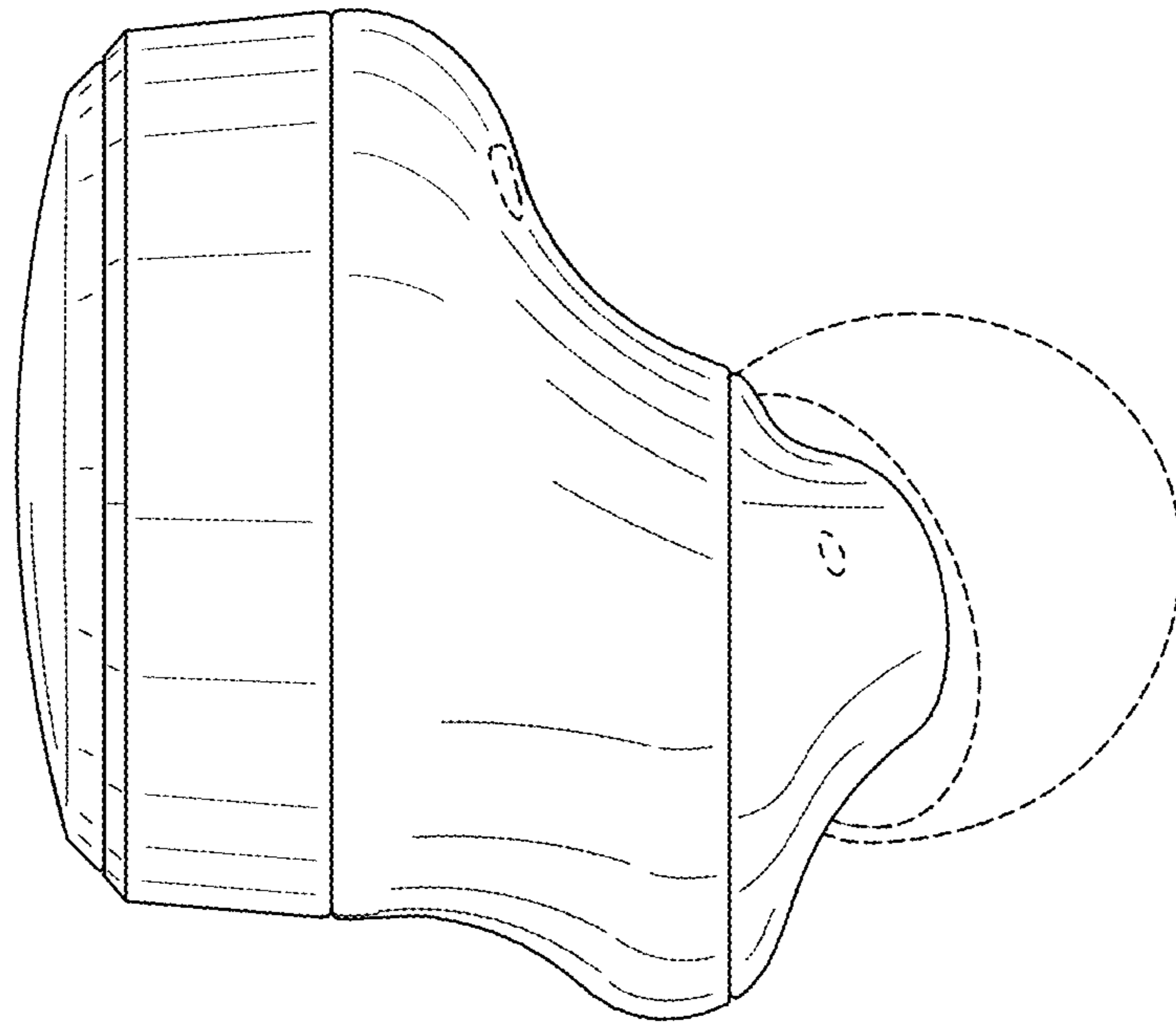


Fig. 4

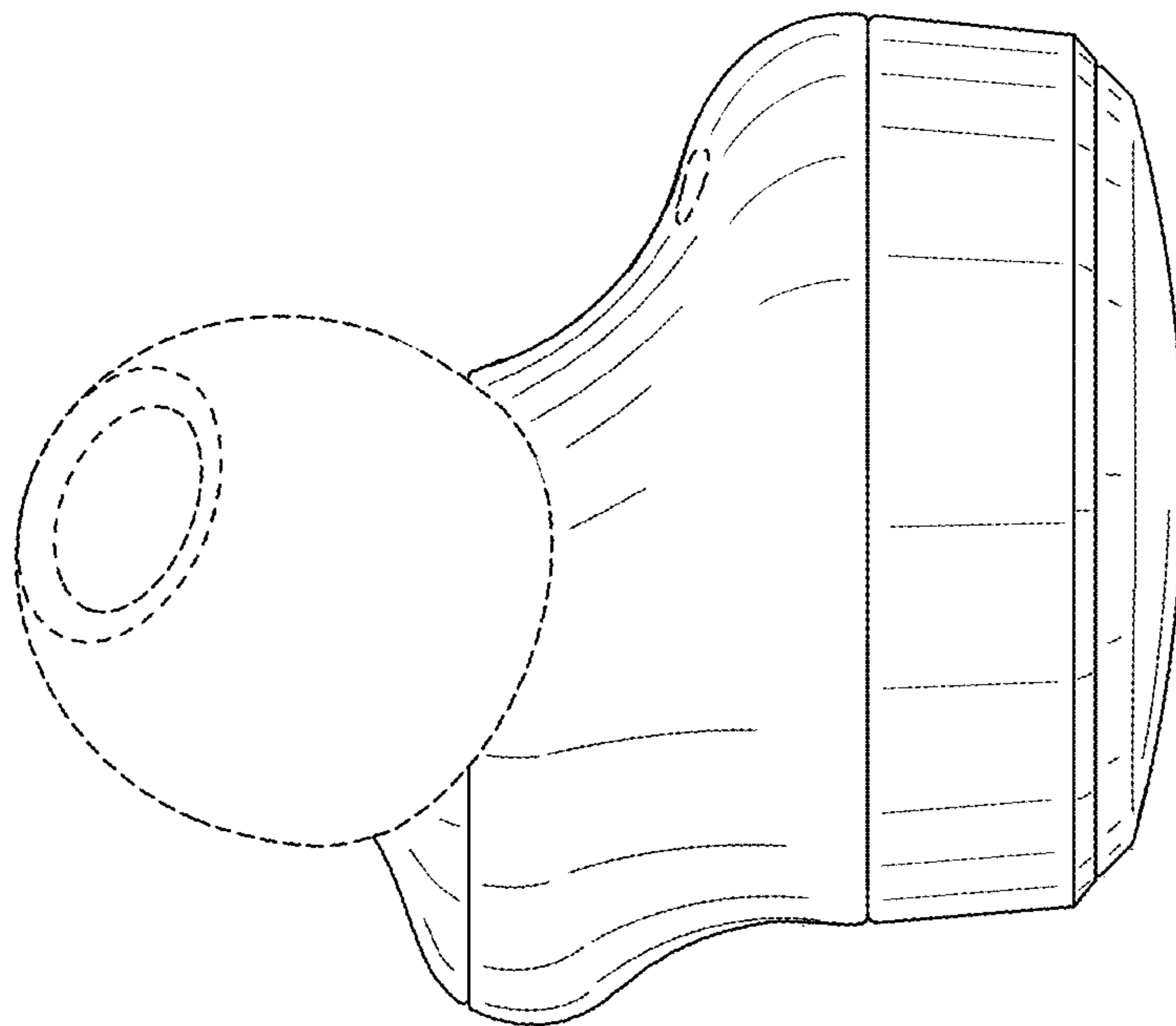


Fig. 5

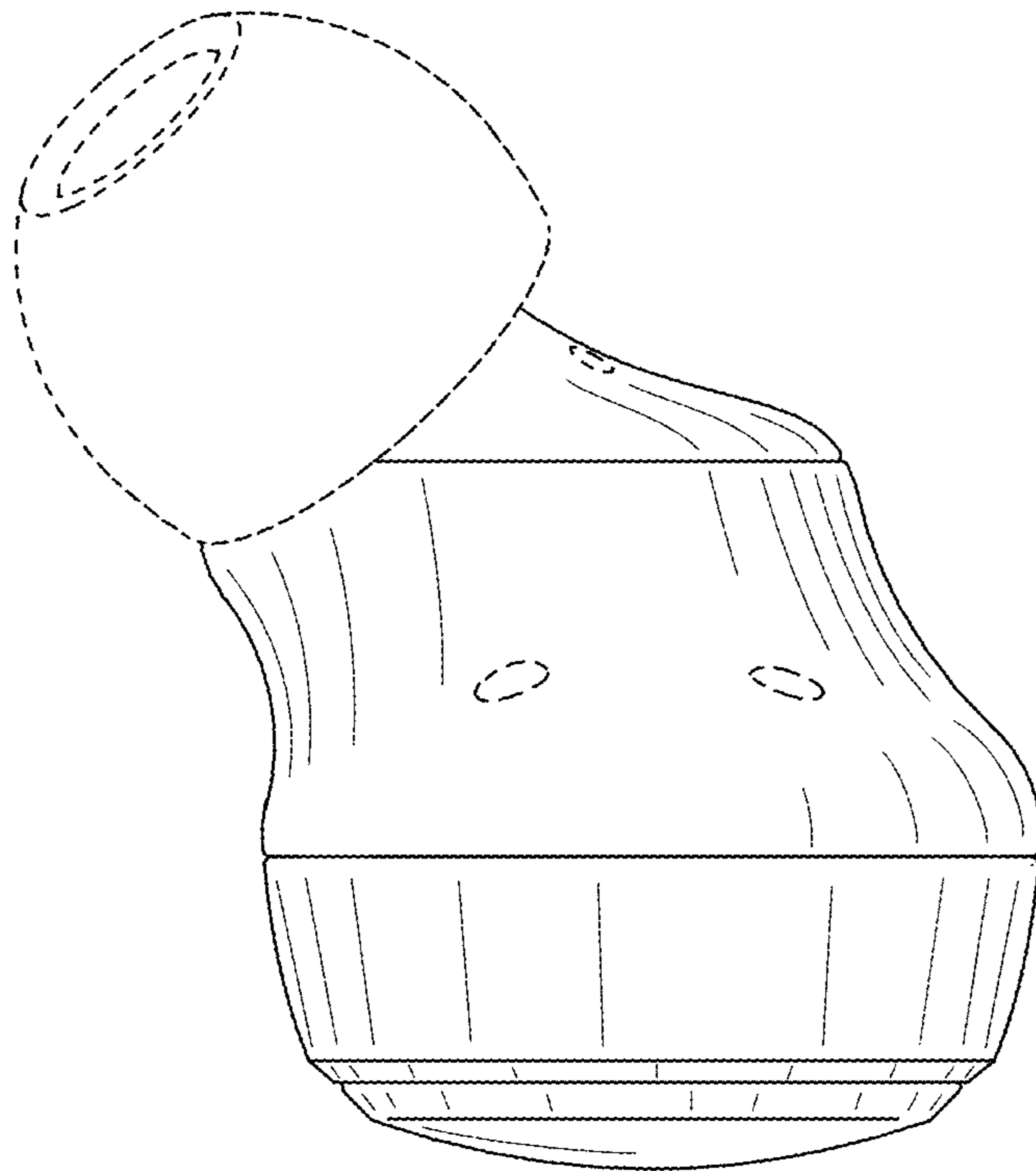


Fig. 6

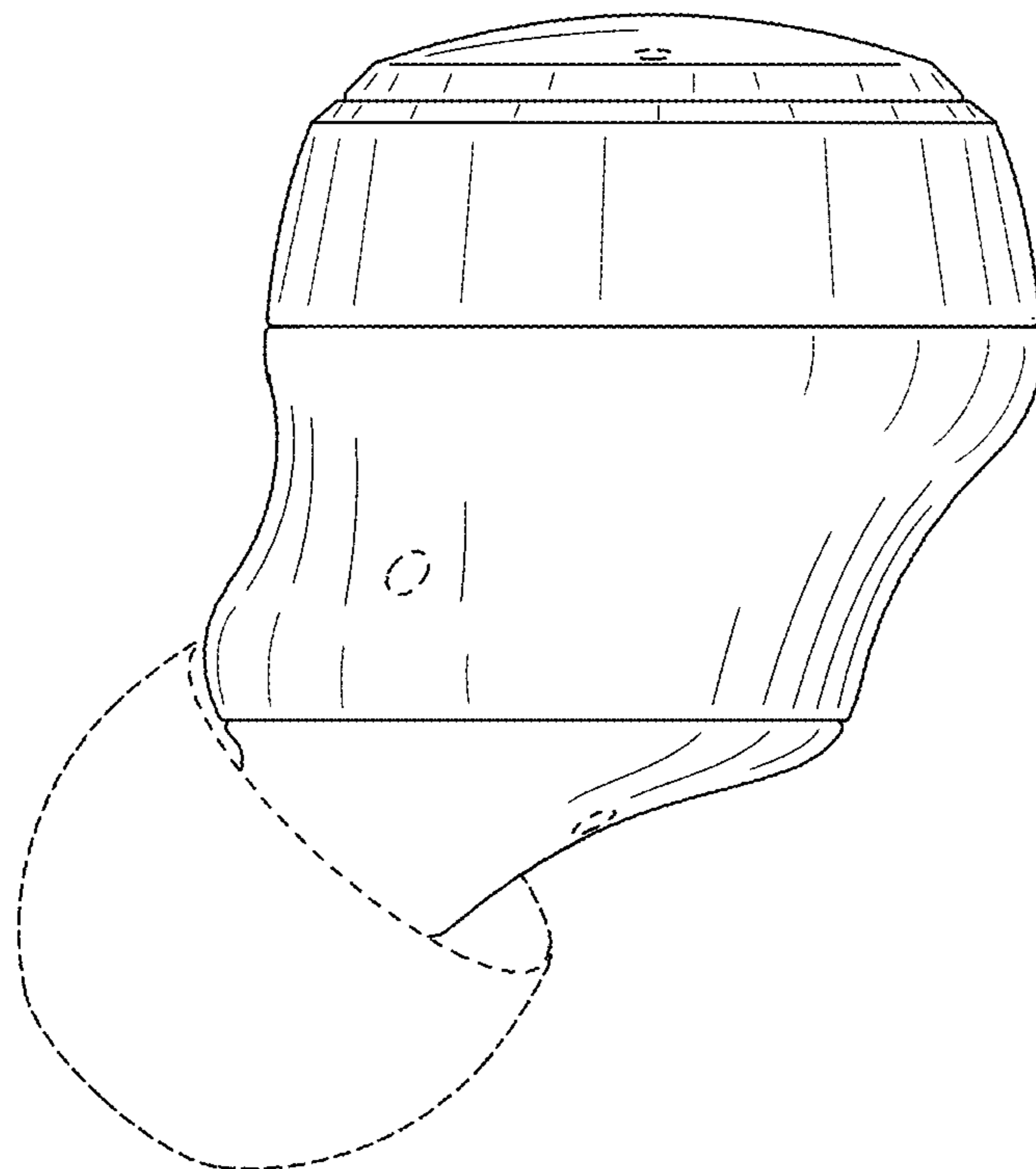


Fig. 7

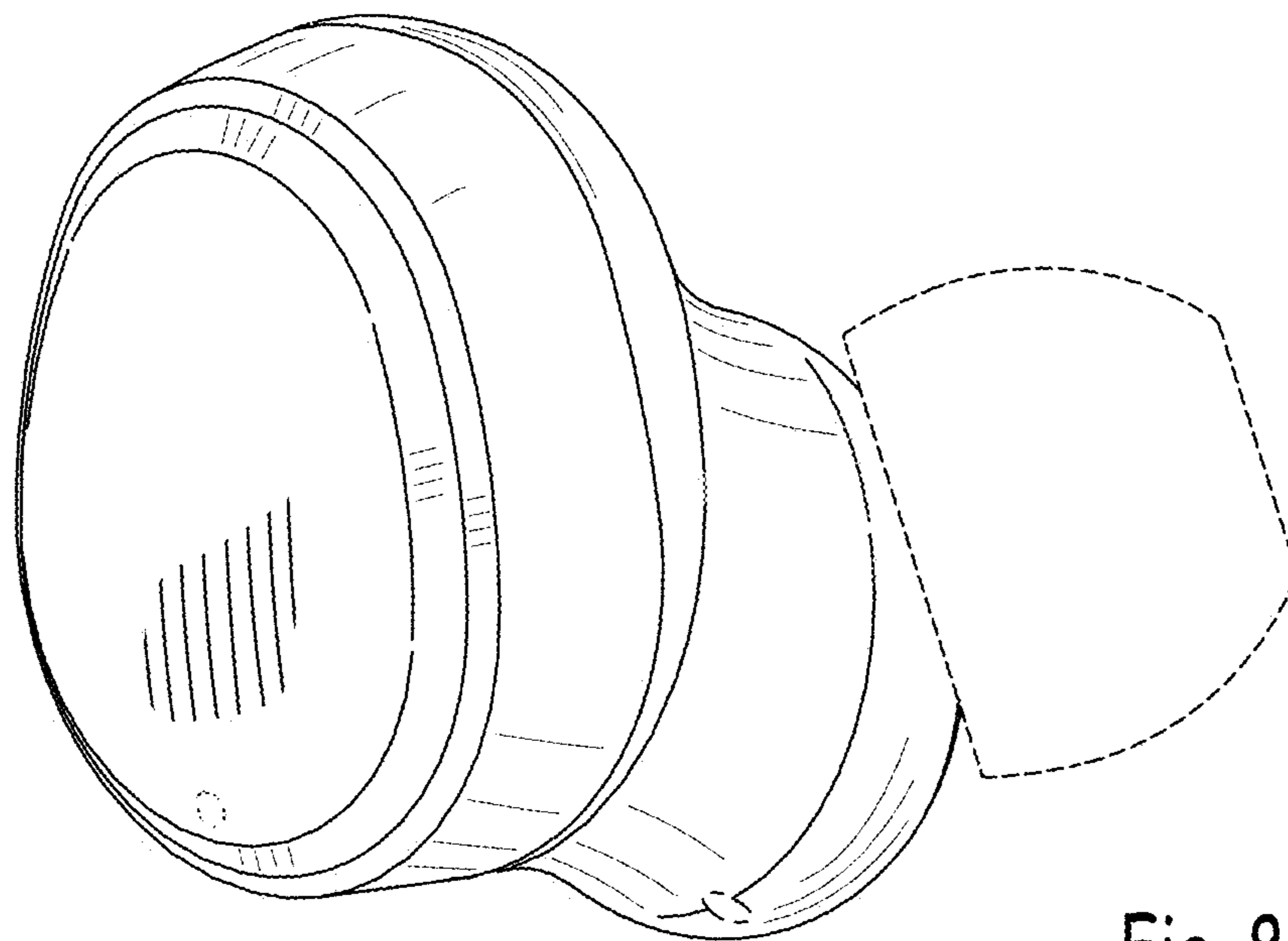


Fig. 8

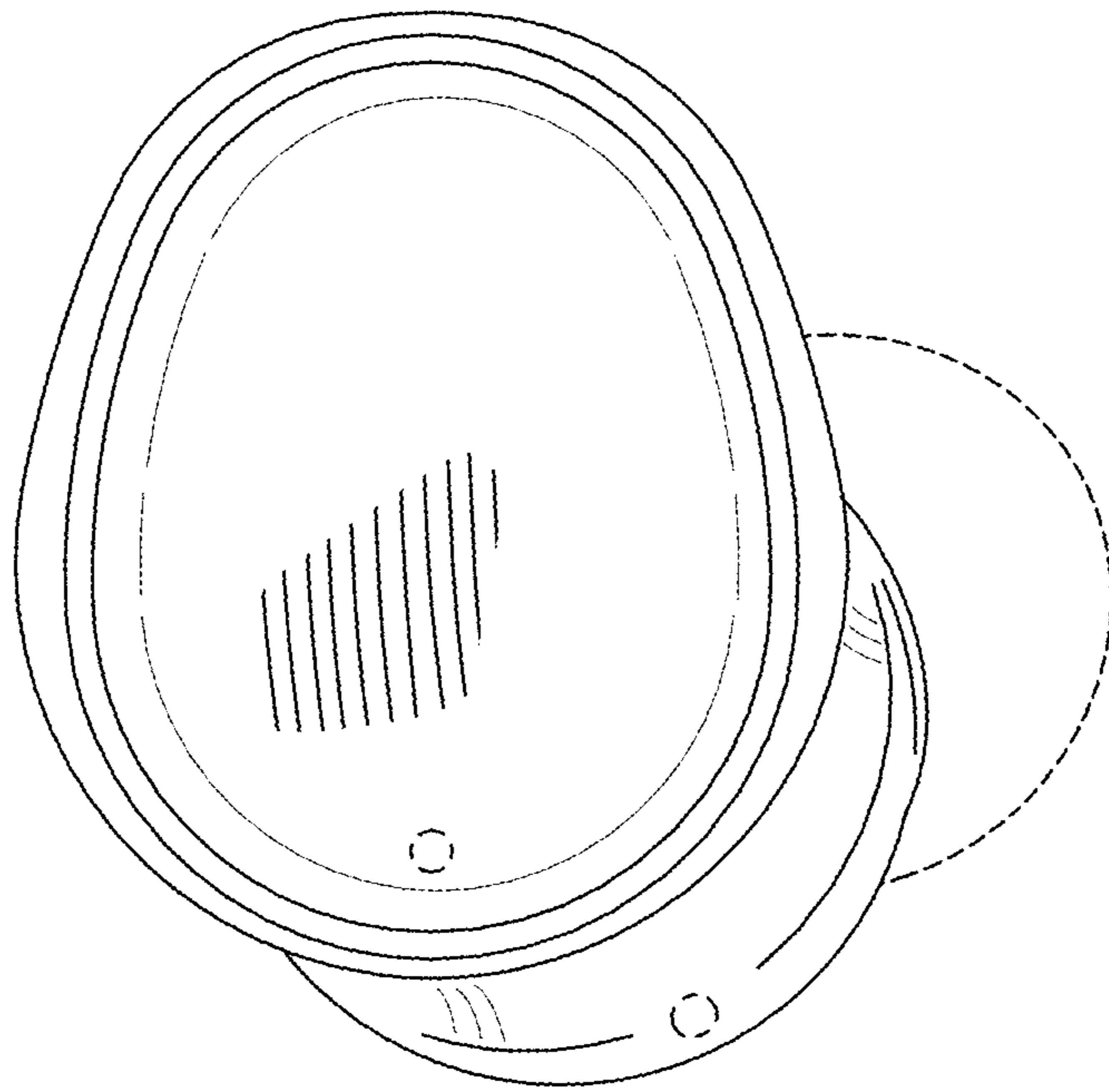


Fig. 9

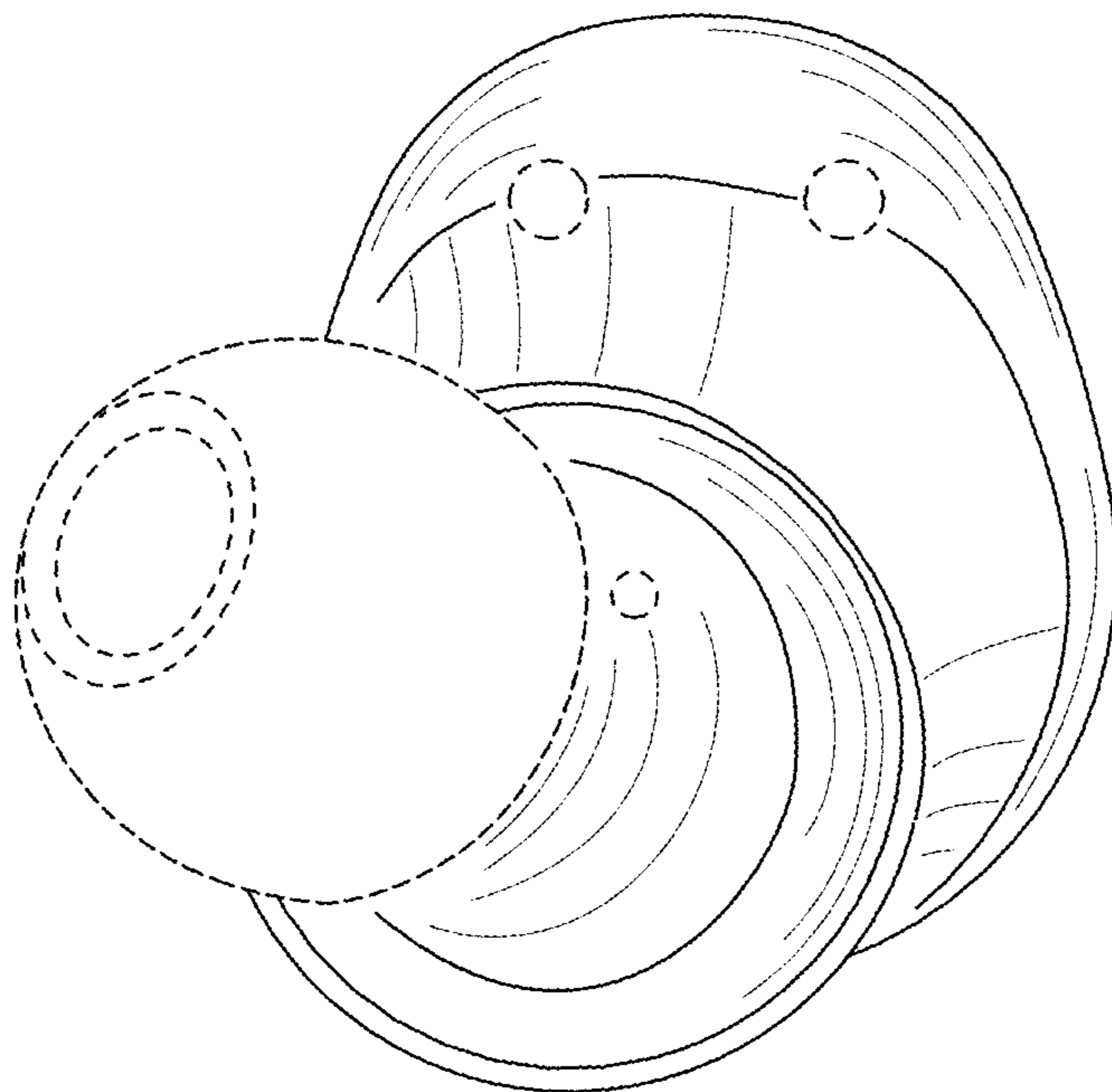


Fig. 10

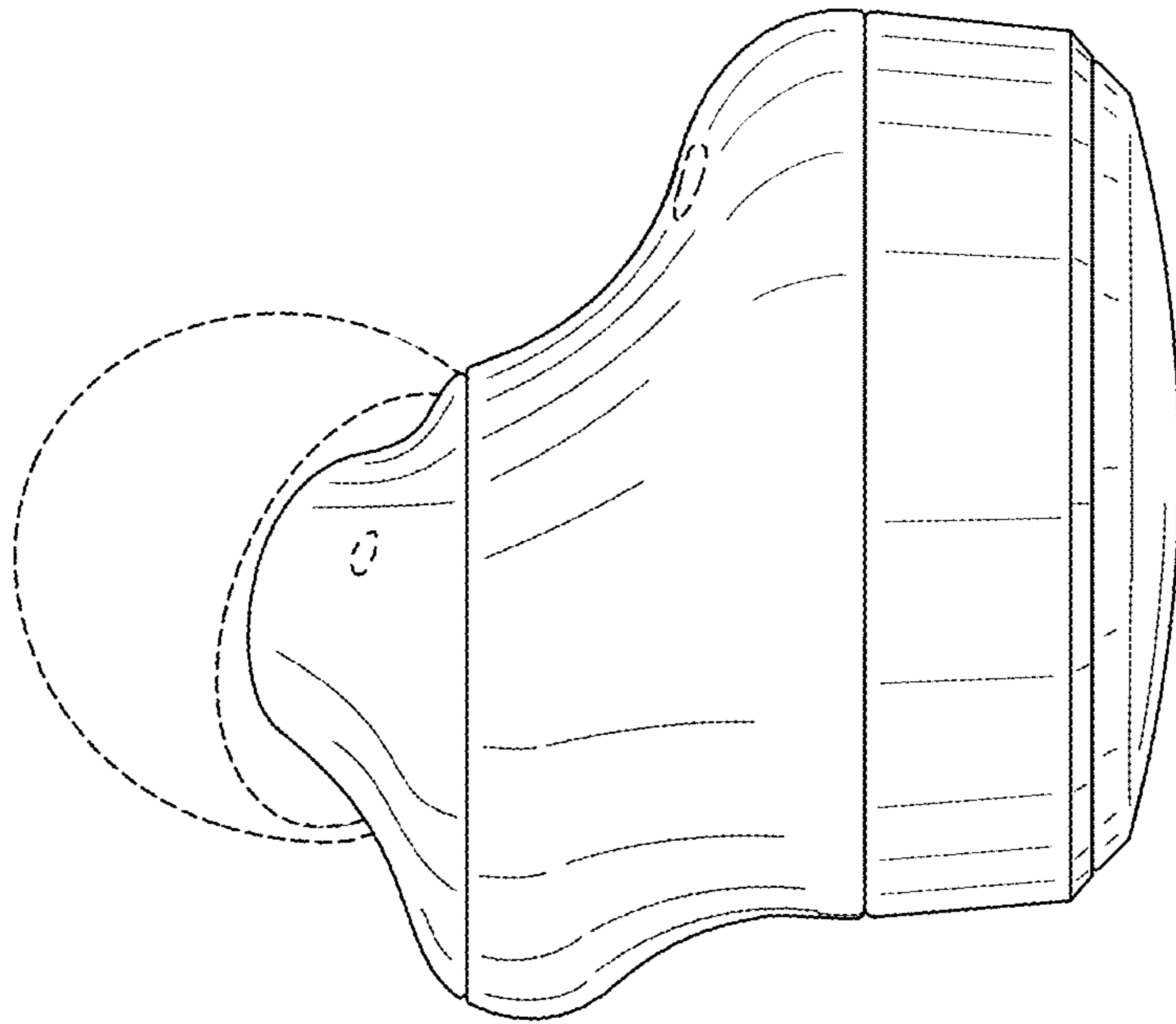


Fig. 11

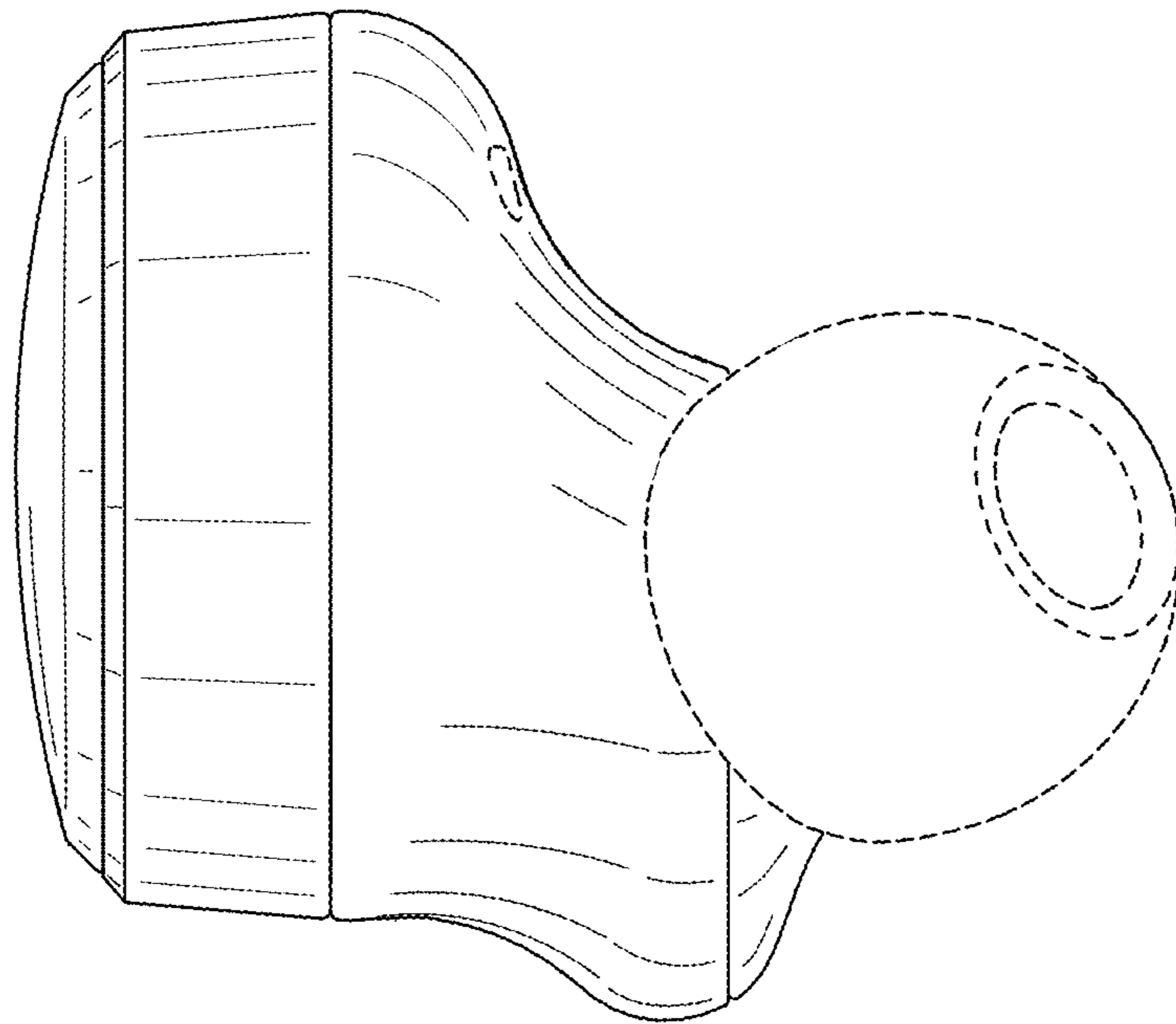


Fig. 12

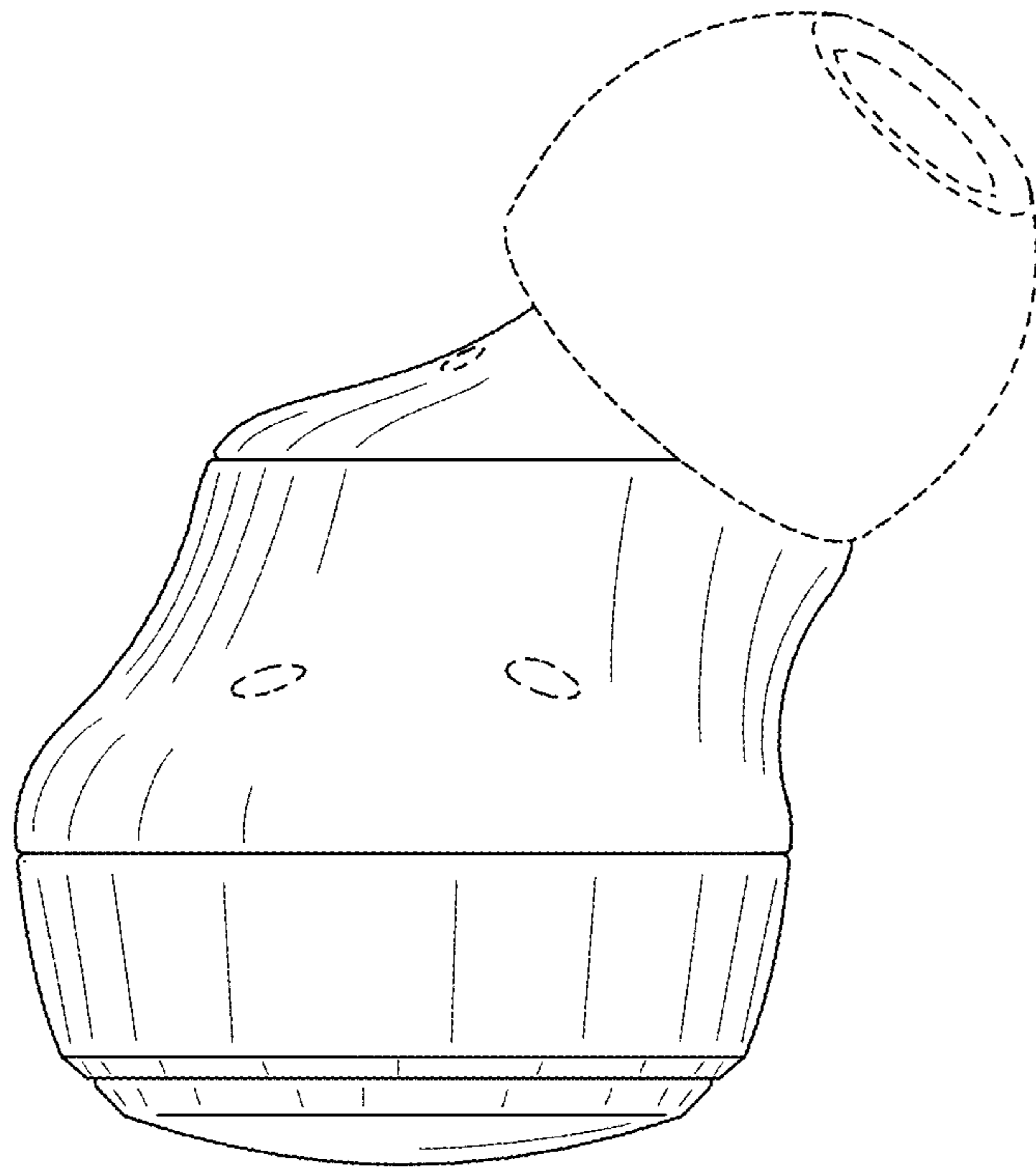


Fig. 13

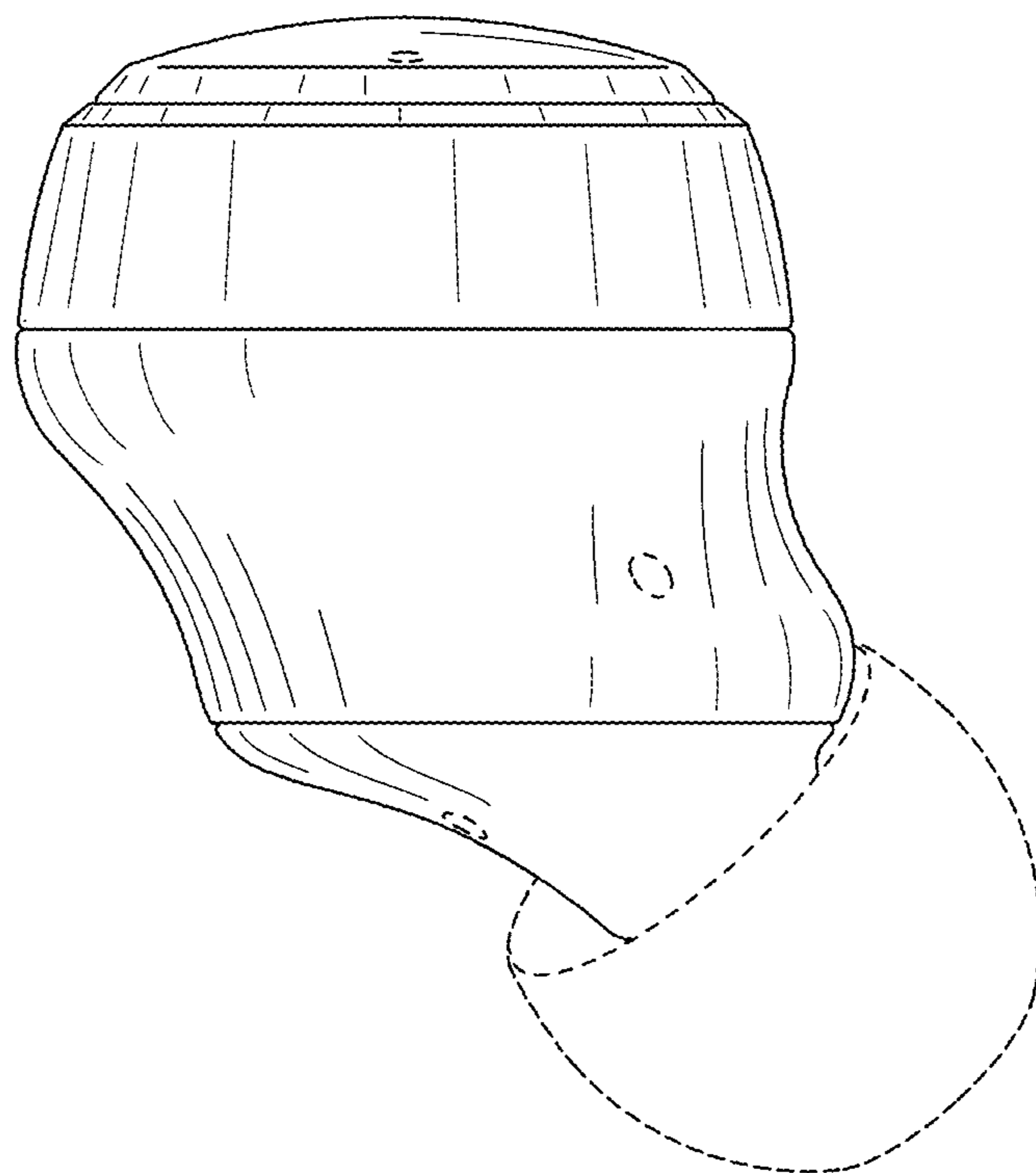


Fig. 14