



US00D973635S

(12) **United States Design Patent**  
**Park et al.**

(10) **Patent No.:** **US D973,635 S**

(45) **Date of Patent:** **\*\* Dec. 27, 2022**

(54) **SOUND BAR**

2400/00; H04R 2400/07; H04R 2499/11;  
H04R 2499/13; H04R 2499/15; H04S  
3/00; H04S 7/30

(71) Applicant: **LG ELECTRONICS INC.**, Seoul  
(KR)

See application file for complete search history.

(72) Inventors: **Seongyeong Park**, Seoul (KR);  
**Gangho Woo**, Seoul (KR); **Sooyoung  
Park**, Seoul (KR)

(56) **References Cited**

U.S. PATENT DOCUMENTS

(73) Assignee: **LG ELECTRONICS INC.**, Seoul  
(KR)

D721,352 S \* 1/2015 Kusano ..... D14/204  
D759,629 S \* 6/2016 Kusano ..... D14/214  
D782,444 S \* 3/2017 Koo ..... D14/214

(Continued)

(\*\*) Term: **15 Years**

OTHER PUBLICATIONS

(21) Appl. No.: **35/512,468**

Amazon—Sayin Store; “Sayin Sound Bar . . .”; [online] ‘https://  
www.amazon.com/dp/B09MT9NQ9V’; dated Dec. 1, 2021; accessed  
Sep. 30, 2022; 6pgs. (Year: 2021).\*

(22) Filed: **Mar. 3, 2021**

(Continued)

(80) **Hague Agreement Data**

Int. Filing Date: **Mar. 3, 2021**

Int. Reg. No.: **DM/213267**

Int. Reg. Date: **Mar. 3, 2021**

Int. Reg. Pub. Date: **Sep. 3, 2021**

*Primary Examiner* — Keli L Hill

(74) *Attorney, Agent, or Firm* — Birch, Stewart, Kolasch  
& Birch, LLP

(30) **Foreign Application Priority Data**

Sep. 10, 2020 (KR) ..... 30-2020-0043245

(51) **LOC (13) Cl.** ..... **14-01**

(52) **U.S. Cl.**  
USPC ..... **D14/214**

(58) **Field of Classification Search**

USPC ..... D14/167, 168, 170–172, 188, 194–197,  
D14/203.1–203.8, 204, 209.1, 210–217,  
D14/219, 221, 222, 224, 239, 496

CPC ..... B60R 11/0217; G06F 1/1688; G10K 9/22;  
G10K 11/004; H03F 1/327; H04M 1/03;  
H04M 1/035; H04N 5/642; H04N  
21/4852; H04R 1/02; H04R 1/06; H04R  
1/021; H04R 1/025; H04R 1/026; H04R  
1/028; H04R 1/105; H04R 1/323; H04R  
1/403; H04R 1/2803; H04R 1/2834;  
H04R 5/02; H04R 7/20; H04R 9/06;  
H04R 9/025; H04R 2201/021; H04R

(57) **CLAIM**

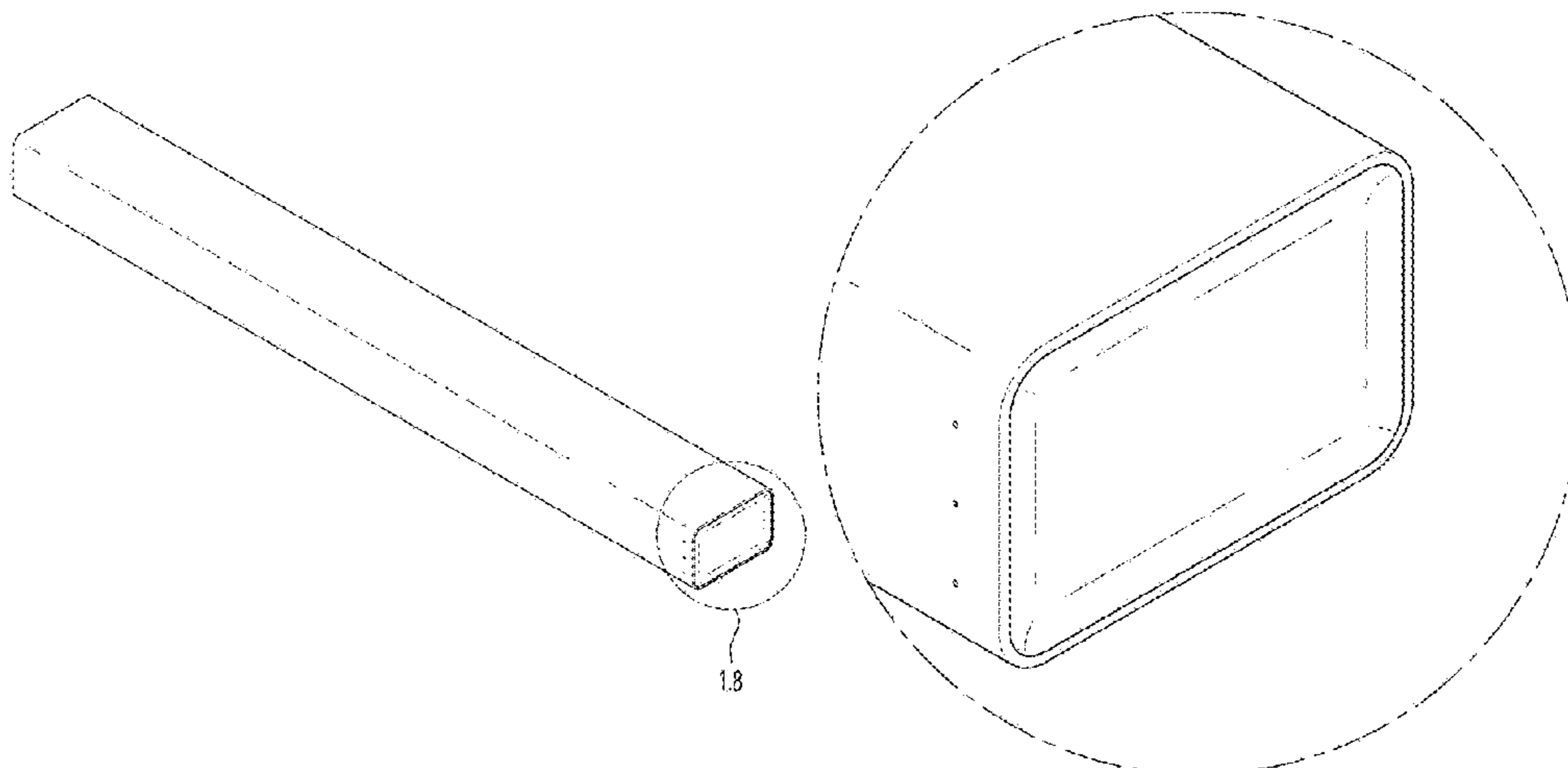
The ornamental design for a sound bar, as shown and  
described.

**DESCRIPTION**

- 1. Sound bar
- 1.1 : Perspective
- 1.2 : Front
- 1.3 : Back
- 1.4 : Left
- 1.5 : Right
- 1.6 : Top
- 1.7 : Bottom
- 1.8 : Enlarged

The broken lines indicate portion of the article that form no  
part of the claimed design; reproduction 1.8 is an enlarged

(Continued)



view of the portion of reproduction 1.1 represented by the circle in dash-dot lines, curvy line and number 1.8.

**1 Claim, 8 Drawing Sheets**

(56) **References Cited**

U.S. PATENT DOCUMENTS

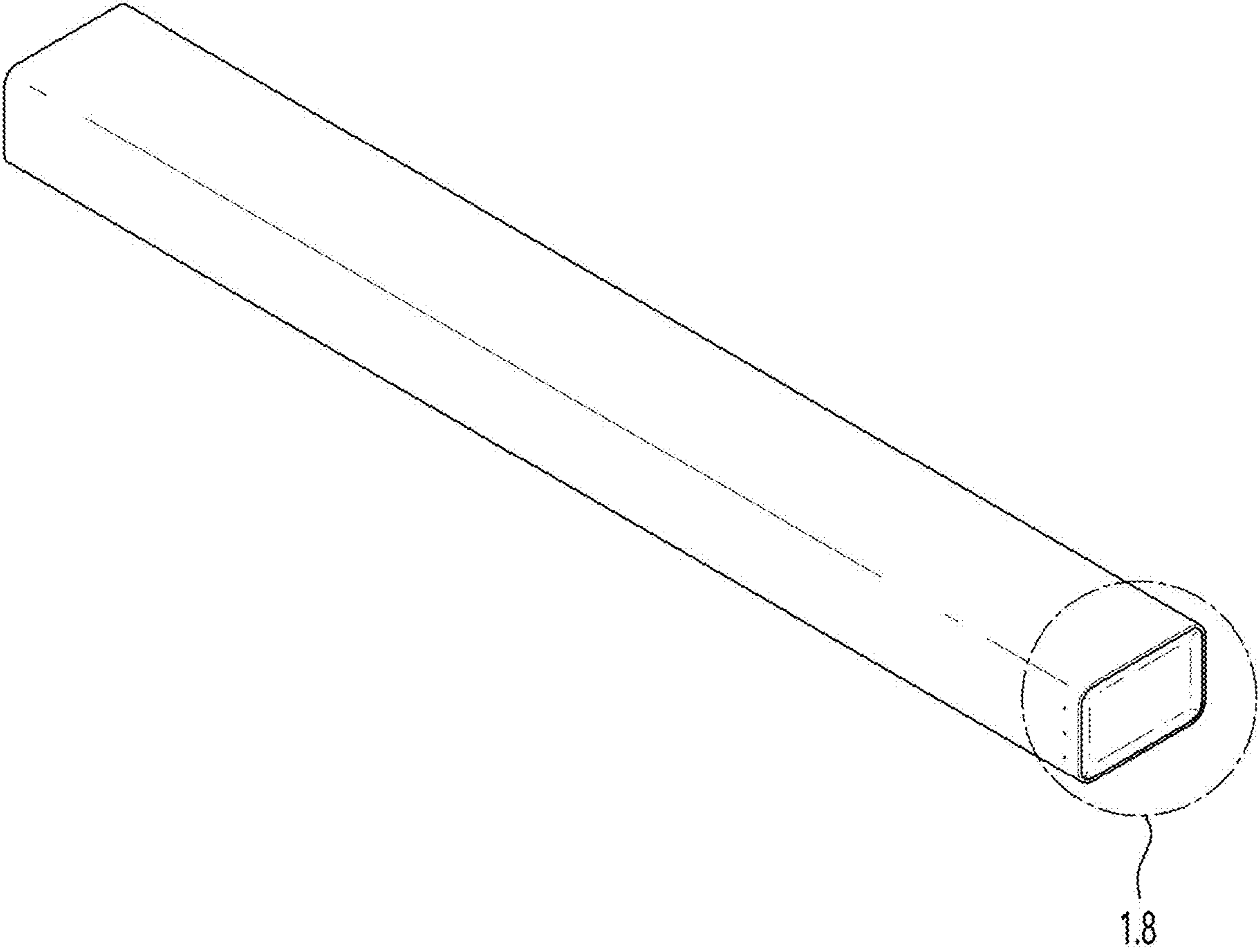
D836,082 S	*	12/2018	McManigal	.....	D14/204
D874,667 S	*	2/2020	McManigal	.....	D24/214
D886,799 S	*	6/2020	Yang	.....	D14/204
D900,786 S	*	11/2020	Kim	.....	D14/204

OTHER PUBLICATIONS

Stone, Mary; What Hi Fi.com; "LG 2021 soundbar lineup: everything you need to know"; [online] '<https://www.whathifi.com/news/lg-2021-soundbar-lineup-everything-you-need-to-know>'; dated May 3, 2021; accessed Sep. 30, 2022; 11 pgs. (Year: 2021).\*

\* cited by examiner

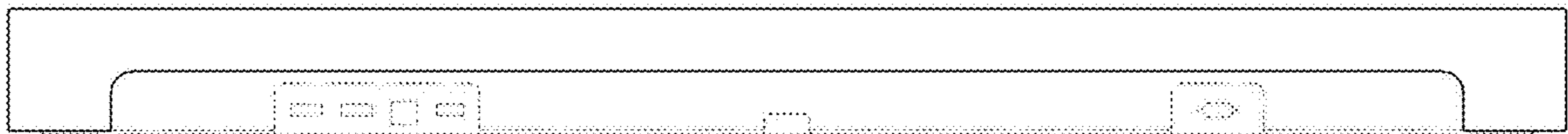
1.1



**1.2**



1.3



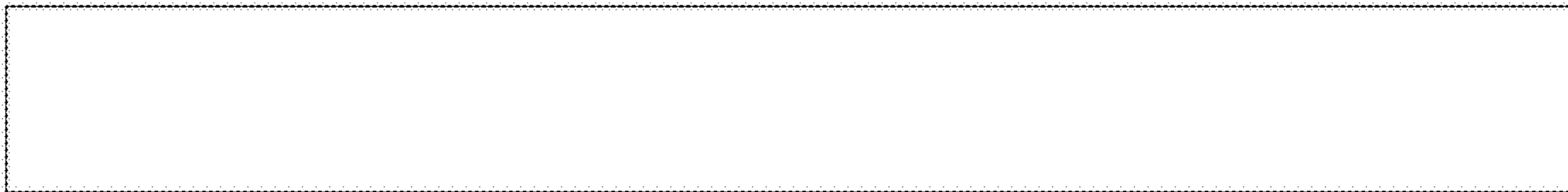
1.4



1.5

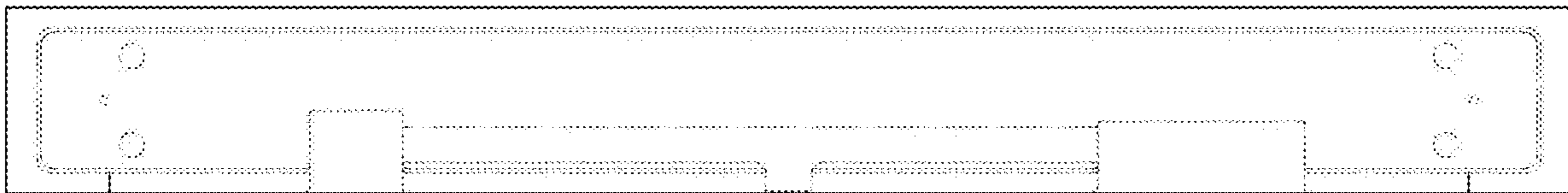


**1.6**





1.7



1.8

