



US00D973634S

(12) **United States Design Patent**
Park et al.

(10) **Patent No.: US D973,634 S**

(45) **Date of Patent: ** Dec. 27, 2022**

(54) **SOUND BAR**

2400/00; H04R 2400/07; H04R 2499/11;
H04R 2499/13; H04R 2499/15; H04S
3/00; H04S 7/30

(71) Applicant: **LG ELECTRONICS INC.**, Seoul
(KR)

See application file for complete search history.

(72) Inventors: **Seongyeong Park**, Seoul (KR);
Gangho Woo, Seoul (KR); **Sooyoung
Park**, Seoul (KR)

(56) **References Cited**

U.S. PATENT DOCUMENTS

(73) Assignee: **LG ELECTRONICS INC.**, Seoul
(KR)

D721,352 S * 1/2015 Kusano D14/204
D759,624 S * 6/2016 Byrd D14/204
D782,444 S * 3/2017 Koo D14/214

(Continued)

(**) Term: **15 Years**

OTHER PUBLICATIONS

(21) Appl. No.: **35/512,465**

Amazon-Sayin Store; "Sayin Sound Bar . . . "; [online] 'https://
www.amazon.com/dp/B09MT9NQ9V'; dated Dec. 1, 2021; accessed
Sep. 30, 2022; 6pgs. (Year: 2021).*

(22) Filed: **Mar. 3, 2021**

(Continued)

(80) **Hague Agreement Data**

Int. Filing Date: **Mar. 3, 2021**

Int. Reg. No.: **DM/213266**

Int. Reg. Date: **Mar. 3, 2021**

Int. Reg. Pub. Date: **Sep. 3, 2021**

Primary Examiner — Keli L Hill

(74) *Attorney, Agent, or Firm* — Birch, Stewart, Kolasch
& Birch, LLP

(30) **Foreign Application Priority Data**

Sep. 10, 2020 (KR) 30-2020-0043249

(51) **LOC (13) Cl.** **14-01**

(52) **U.S. Cl.**
USPC **D14/214**

(58) **Field of Classification Search**

USPC D14/167, 168, 170–172, 188, 194–197,
D14/203.1–203.8, 204, 209.1, 210–217,
D14/219, 221, 222, 224, 239, 496

CPC B60R 11/0217; G06F 1/1688; G10K 9/22;
G10K 11/004; H03F 1/327; H04M 1/03;
H04M 1/035; H04N 5/642; H04N
21/4852; H04R 1/02; H04R 1/06; H04R
1/021; H04R 1/025; H04R 1/026; H04R
1/028; H04R 1/105; H04R 1/323; H04R
1/403; H04R 1/2803; H04R 1/2834;
H04R 5/02; H04R 7/20; H04R 9/06;
H04R 9/025; H04R 2201/021; H04R

(57) **CLAIM**

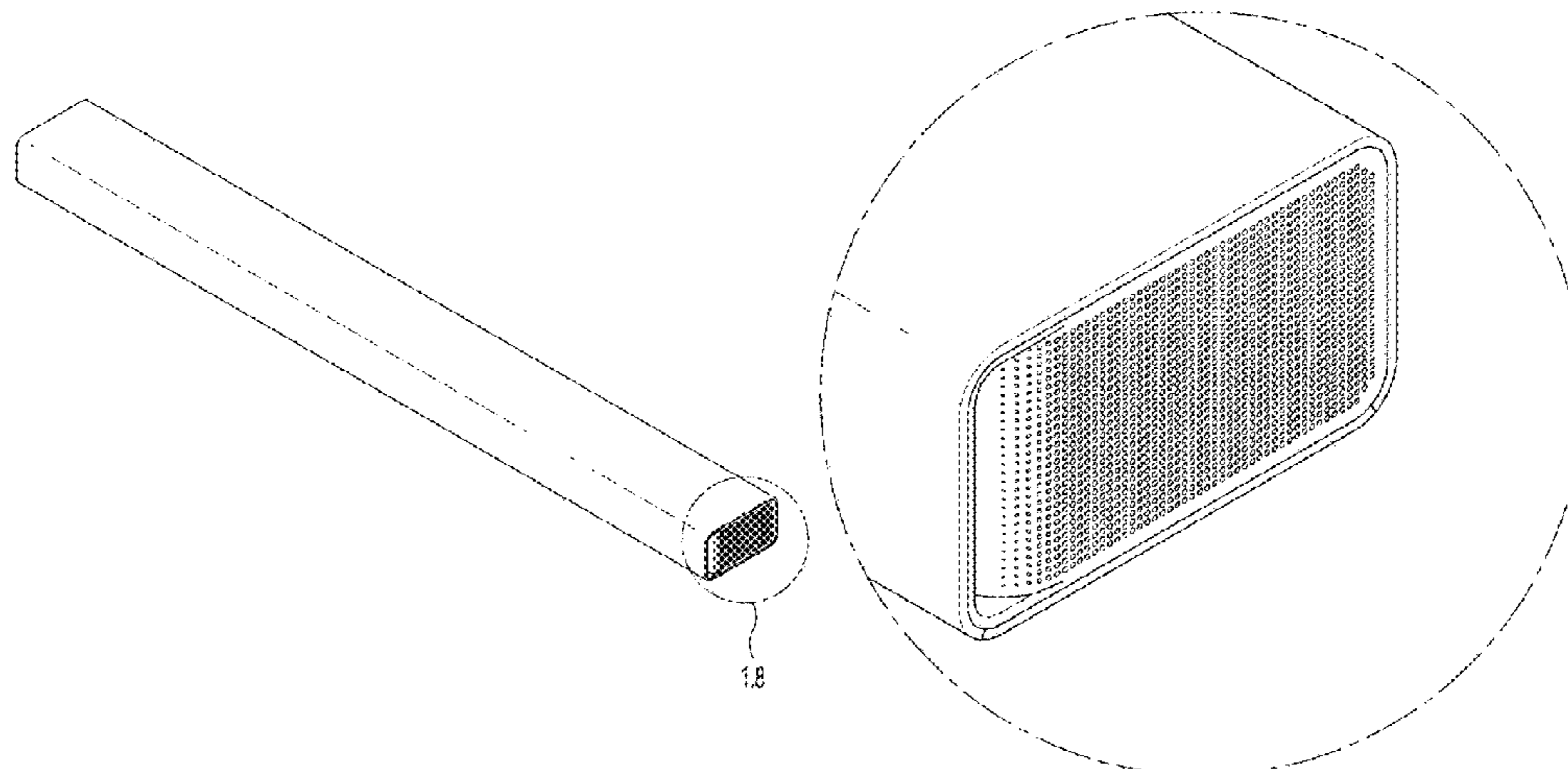
The ornamental design for a sound bar, as shown and
described.

DESCRIPTION

- 1. Sound bar
- 1.1 : Perspective
- 1.2 : Front
- 1.3 : Back
- 1.4 : Left
- 1.5 : Right
- 1.6 : Top
- 1.7 : Bottom
- 1.8 : Enlarged

The broken lines indicate portion of the article that form no
part of the claimed design; reproduction 1.8 is an enlarged

(Continued)



view of the portion of reproduction 1.1 represented by the circle in dash-dot lines, curvy lines and number 1.8.

1 Claim, 8 Drawing Sheets

(56)

References Cited

U.S. PATENT DOCUMENTS

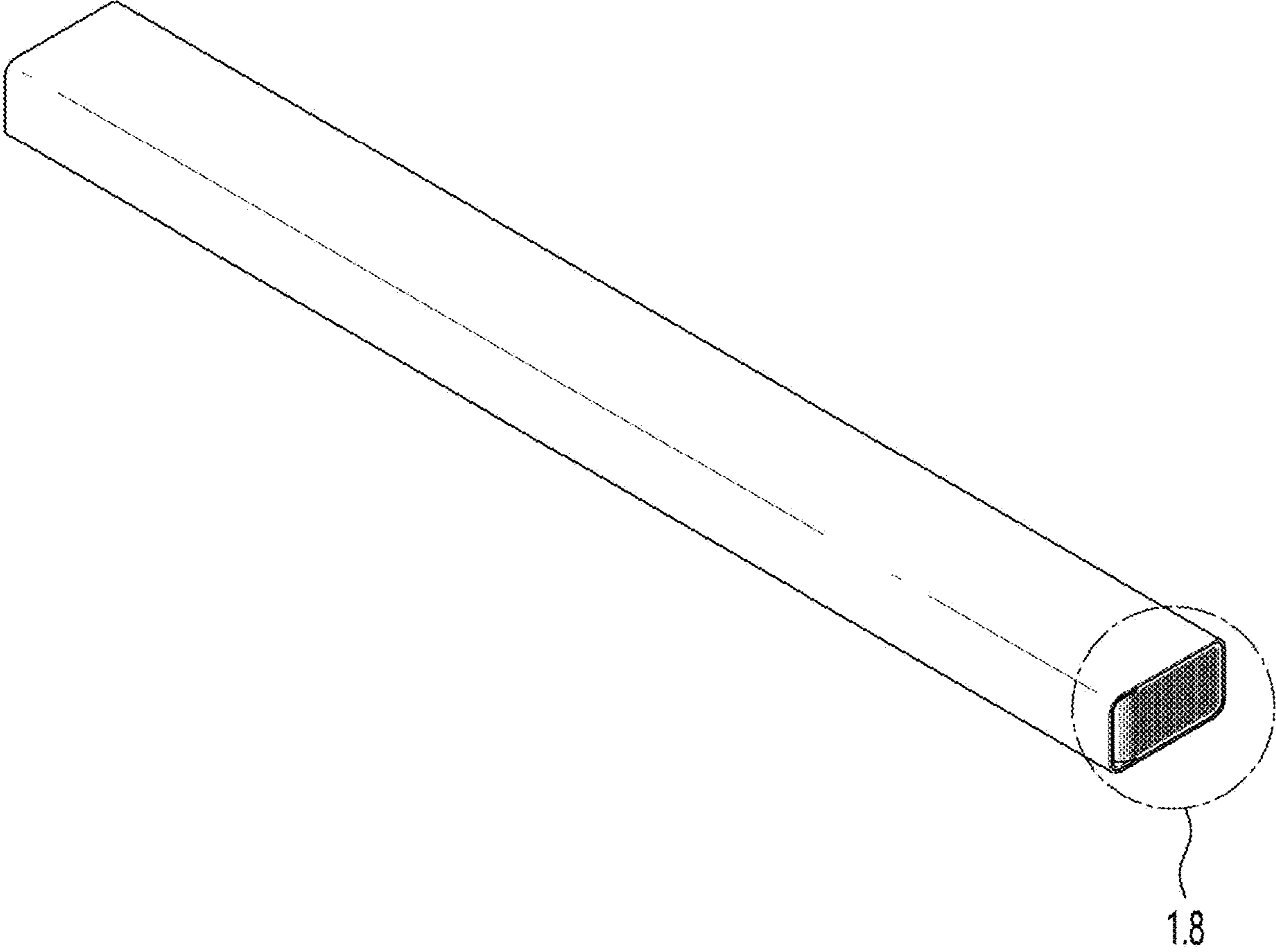
D800,693 S * 10/2017 Sugiura D14/210
D826,892 S * 8/2018 Kim D14/204
D836,604 S * 12/2018 Kim D14/214

OTHER PUBLICATIONS

Stone, Mary; What Hi Fi.com; "LG 2021 soundbar lineup: everything you need to know"; [online] '<https://www.whathifi.com/news/lg-2021-soundbar-lineup-everything-you-need-to-know>'; dated May 3, 2021; accessed Sep. 30, 2022; 11 pgs. (Year: 2021).*

* cited by examiner

1.1



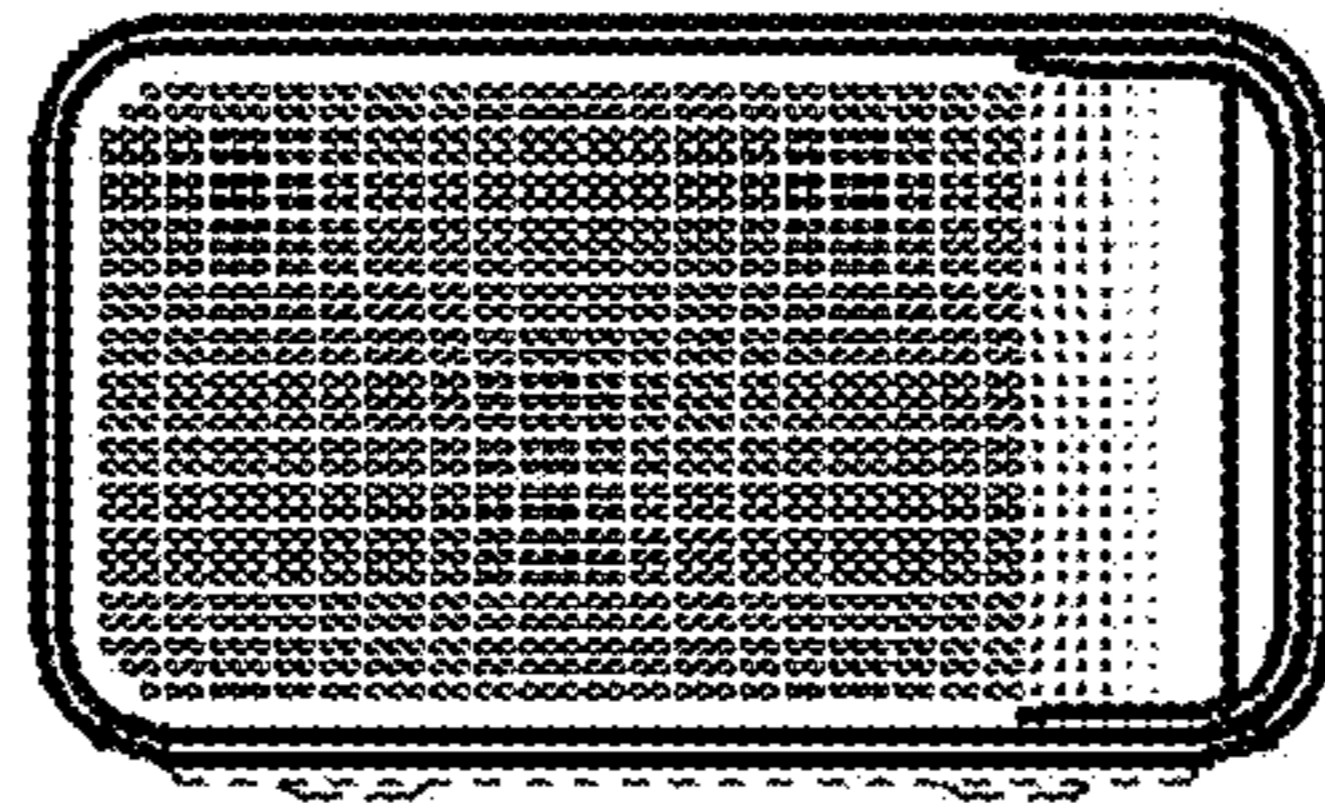
1.2



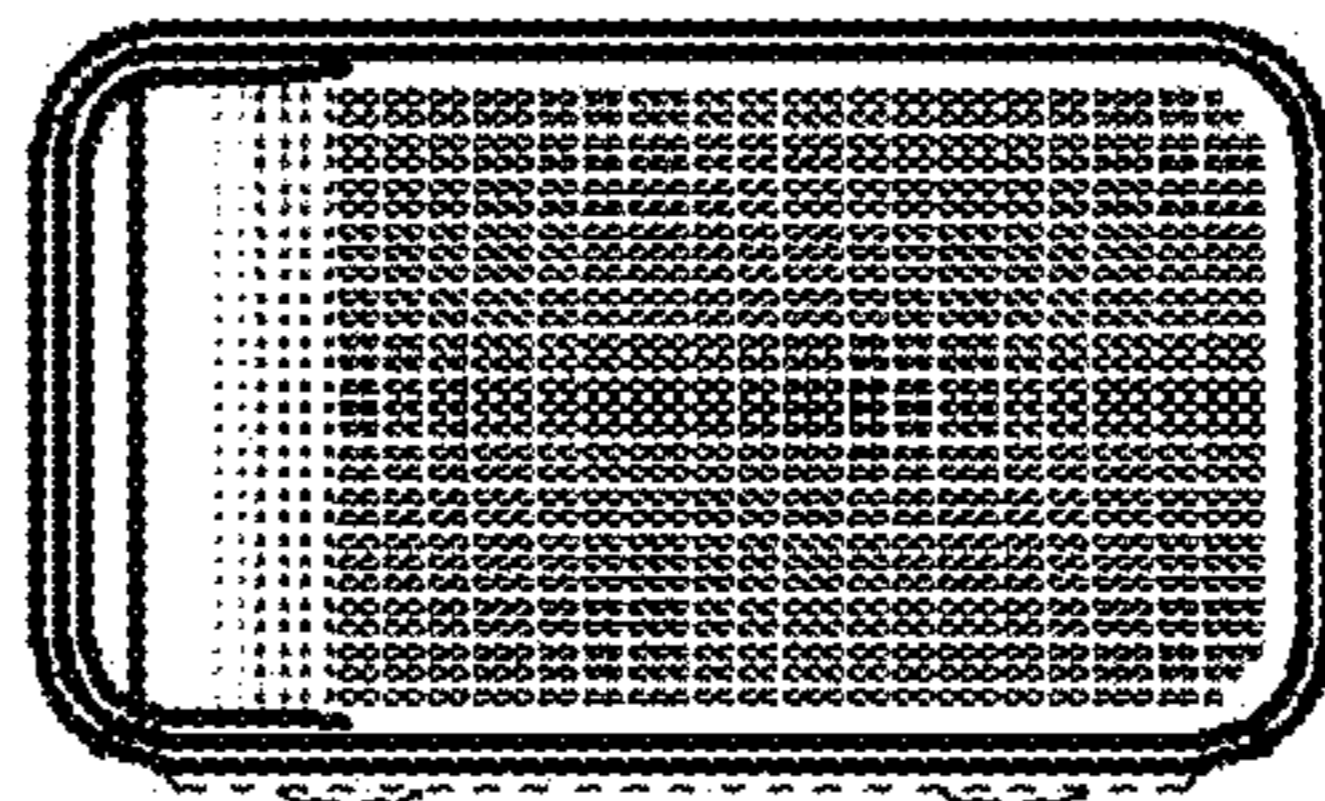
1.3



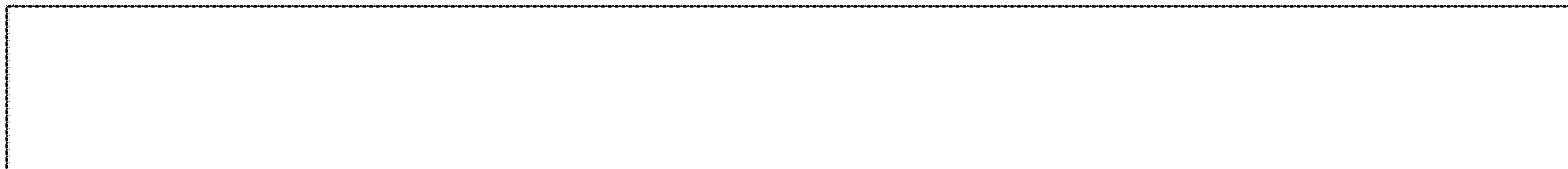
1.4



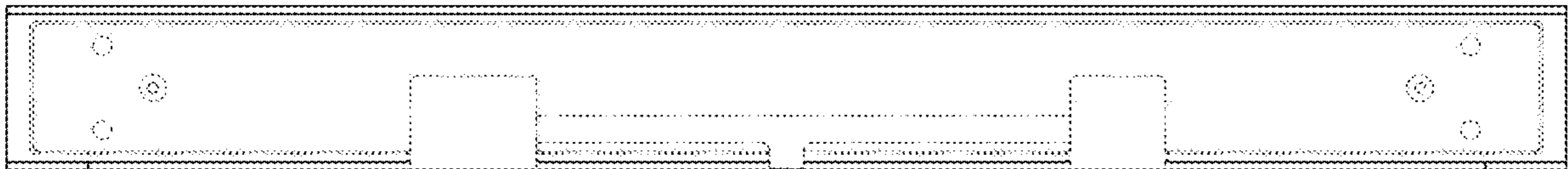
1.5



1.6



1.7



1.8

