



US00D973631S

(12) **United States Design Patent**
Yook et al.

(10) **Patent No.:** **US D973,631 S**

(45) **Date of Patent:** **** Dec. 27, 2022**

(54) **HEADSET**

(71) Applicant: **Microsoft Corporation**, Redmond, WA (US)

(72) Inventors: **Jinwon Yook**, Shenzhen (CN); **Huaian Cheng**, Shenzhen (CN); **Simon Cameron Dearsley**, Bellevue, WA (US)

(73) Assignee: **Microsoft Corporation**, Redmond, WA (US)

(**) Term: **15 Years**

(21) Appl. No.: **29/778,388**

(22) Filed: **Apr. 13, 2021**

(51) **LOC (13) Cl.** **14-01**

(52) **U.S. Cl.**

USPC **D14/206**; D14/226

(58) **Field of Classification Search**

USPC D14/206, 226, 205, 225; D29/112; 2/209; 381/380-381, 374, 370, 379, 362

CPC H04R 25/00; H04R 25/02; H04R 1/1066; H04R 1/1016; H04R 5/033; H04R 5/0335; H04R 11/04; H04R 19/04; H04R 1/1091

See application file for complete search history.

(56) **References Cited**

U.S. PATENT DOCUMENTS

| | | | | |
|----------------|---------|----------|-------|--------------|
| D504,419 S * | 4/2005 | Bey | | D14/223 |
| D504,887 S * | 5/2005 | Skulley | | D14/223 |
| D505,413 S * | 5/2005 | Skulley | | D14/223 |
| D518,479 S * | 4/2006 | Skulley | | D14/225 |
| D519,990 S * | 5/2006 | Lazor | | D14/229 |
| D529,900 S * | 10/2006 | Skulley | | D14/223 |
| D535,980 S * | 1/2007 | Bentley | | D14/225 |
| D537,815 S * | 3/2007 | Bentley | | D14/206 |
| D539,267 S * | 3/2007 | Komiyama | | D14/205 |
| 7,190,330 B2 * | 3/2007 | Travers | | G02B 27/0176 |

345/7

| | | | | |
|--------------|---------|----------|-------|---------|
| D539,788 S * | 4/2007 | Thompson | | D14/225 |
| D540,303 S * | 4/2007 | Rausch | | D14/205 |
| D540,313 S * | 4/2007 | Rausch | | D14/225 |
| D541,256 S * | 4/2007 | Rausch | | D14/205 |
| D588,100 S * | 3/2009 | Densho | | D14/205 |
| D602,001 S * | 10/2009 | Bentley | | D14/206 |

(Continued)

FOREIGN PATENT DOCUMENTS

| | | | |
|----|-----------|---|--------|
| CN | 306422137 | * | 3/2021 |
| CN | 306810324 | * | 9/2021 |

(Continued)

OTHER PUBLICATIONS

“Office Action Issued in Indian Patent Application No. 351277-001”, dated Nov. 26, 2021, 2 Pages.

(Continued)

Primary Examiner — Paula Allen Greene

(74) *Attorney, Agent, or Firm* — Banner & Witcoff, Ltd.

(57) **CLAIM**

The ornamental design for a headset, as shown and described.

DESCRIPTION

FIG. 1 is a front perspective view of a headset showing our new design;

FIG. 2 is a rear perspective view thereof;

FIG. 3 is a front view thereof;

FIG. 4 is a rear view thereof;

FIG. 5 is a right side view thereof;

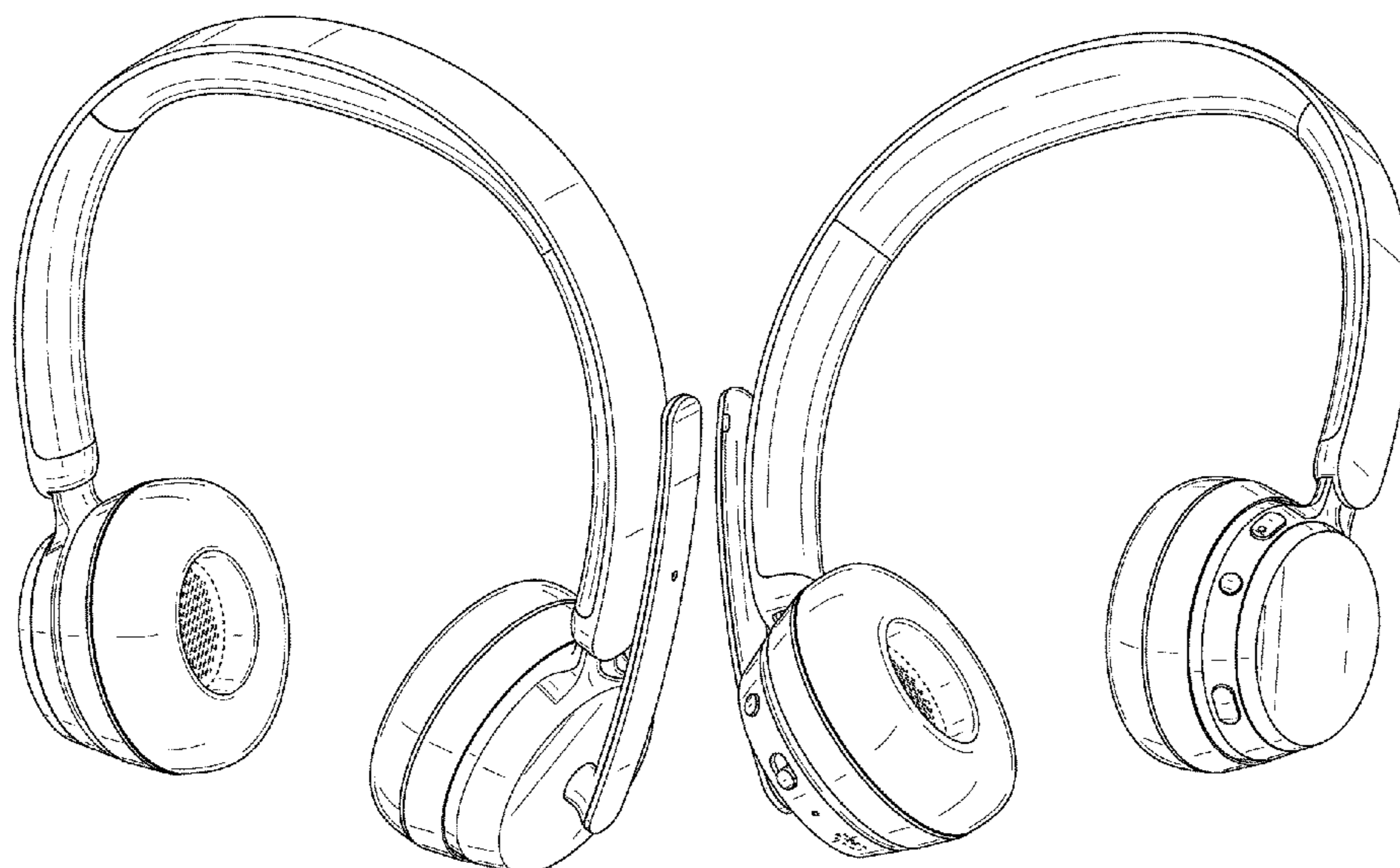
FIG. 6 is a left side view thereof;

FIG. 7 is a top view thereof; and,

FIG. 8 is a bottom view thereof.

The even-length broken lines depicting the remainder of the headset in FIGS. 1-8 show features that form no part of the claimed design.

1 Claim, 6 Drawing Sheets



(56)

References Cited

U.S. PATENT DOCUMENTS

D602,908 S * 10/2009 Ham D14/206
 D603,371 S * 11/2009 Boateng D14/205
 D617,781 S * 6/2010 Kallas D14/229
 D625,705 S * 10/2010 Ohori D14/223
 D632,668 S * 2/2011 Brunner D14/205
 D648,330 S * 11/2011 Fischer D14/226
 D654,471 S 2/2012 Fischer
 D654,472 S * 2/2012 Fischer D14/206
 D681,014 S * 4/2013 Ham D14/206
 D707,655 S 6/2014 Porter
 D721,055 S 1/2015 Sparks et al.
 D722,041 S 2/2015 Sparks et al.
 D724,562 S 3/2015 Sparks et al.
 D725,630 S * 3/2015 Nakagawa D14/205
 9,031,254 B2 * 5/2015 Heise H04R 1/1066
 381/74
 D730,868 S * 6/2015 Birger D14/206
 D733,090 S * 6/2015 Petersen D14/205
 D735,161 S 7/2015 Sparks et al.
 D735,691 S 8/2015 Sparks et al.
 9,426,554 B2 * 8/2016 Dai H04R 1/1091
 D843,349 S * 3/2019 Burgess D14/206
 D848,395 S * 5/2019 Kelley D14/205
 D851,627 S * 6/2019 ter Laag D14/205
 D856,303 S * 8/2019 Ando D14/205
 D859,353 S * 9/2019 Wagner D14/205
 D870,069 S * 12/2019 Hu D14/206
 D875,073 S * 2/2020 Pedersen D14/206
 D877,714 S 3/2020 Dhondt et al.

D878,327 S 3/2020 Dhondt et al.
 D888,008 S * 6/2020 Yook D14/205
 D893,452 S * 8/2020 Yook D14/205
 D927,458 S * 8/2021 Su D14/206
 D928,116 S * 8/2021 Su D14/206
 D950,520 S * 5/2022 Yan D14/206
 D951,907 S * 5/2022 Bellham D14/206
 D952,599 S * 5/2022 Bellham D14/206
 2011/0044463 A1 * 2/2011 DiRusso H04R 5/0335
 381/378
 2011/0051976 A1 * 3/2011 Tsai H04R 1/1066
 381/378
 2011/0222719 A1 * 9/2011 Hagberg H04R 1/1066
 381/375
 2011/0228925 A1 * 9/2011 Birch H04R 1/1041
 379/428.02
 2017/0041695 A1 * 2/2017 Hernandez Vazquez
 F16M 13/04

FOREIGN PATENT DOCUMENTS

CN 307278789 * 4/2022
 CN 307278941 * 4/2022
 CN 307278943 * 4/2022
 EM 007792767-0009 * 4/2020

OTHER PUBLICATIONS

“Notice of Allowance Issued in Korean Patent Application No. 30-2021-0048151”, dated Jun. 23, 2022, 3 Pages.

* cited by examiner



FIG. 1



FIG. 2



FIG. 3



FIG. 4

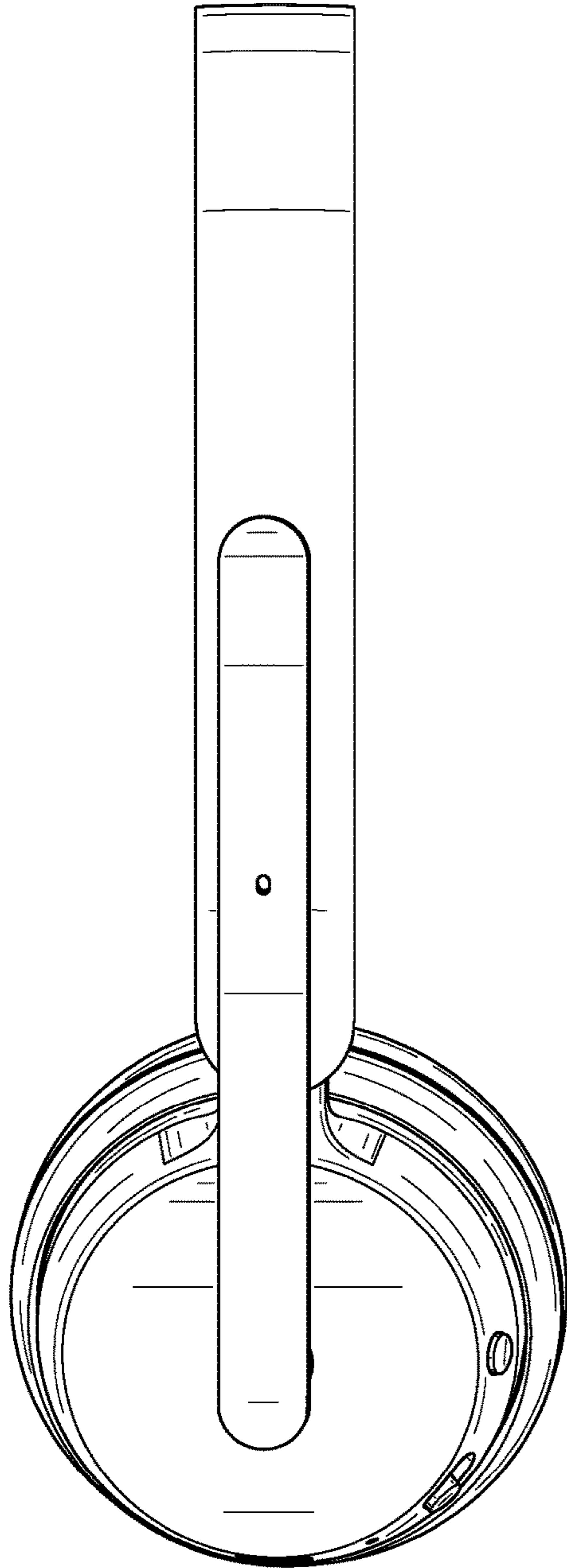


FIG. 5

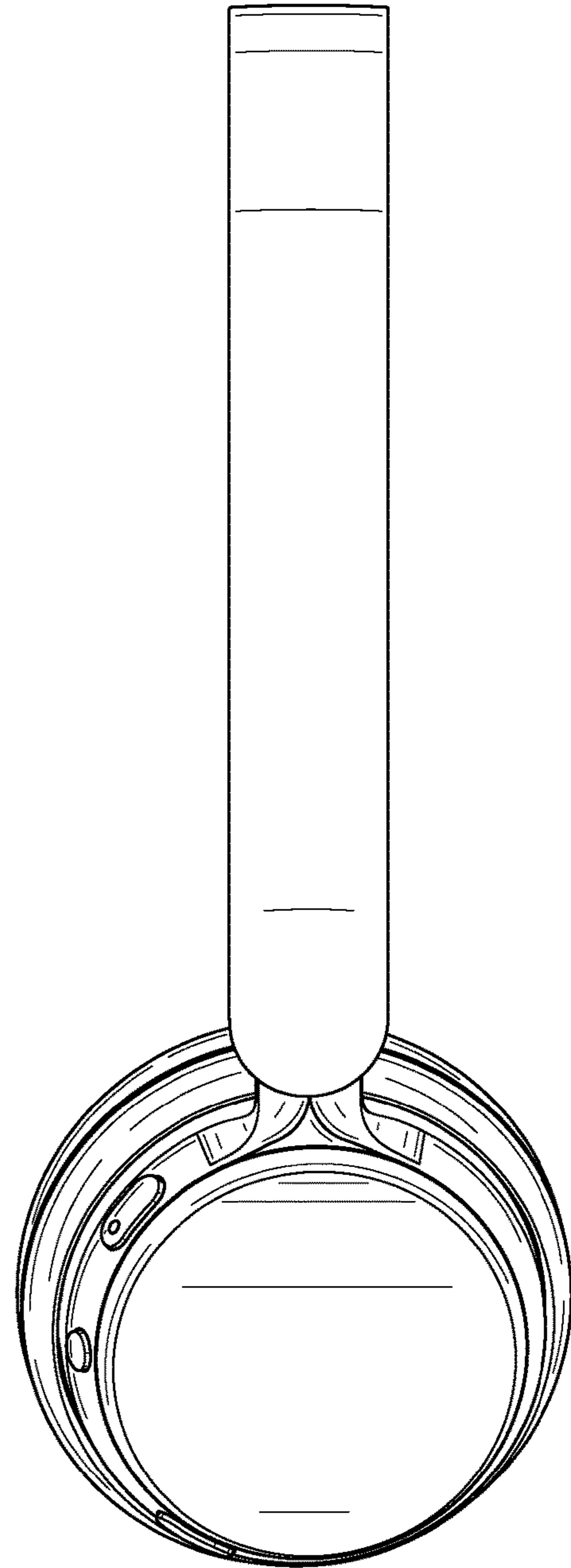


FIG. 6

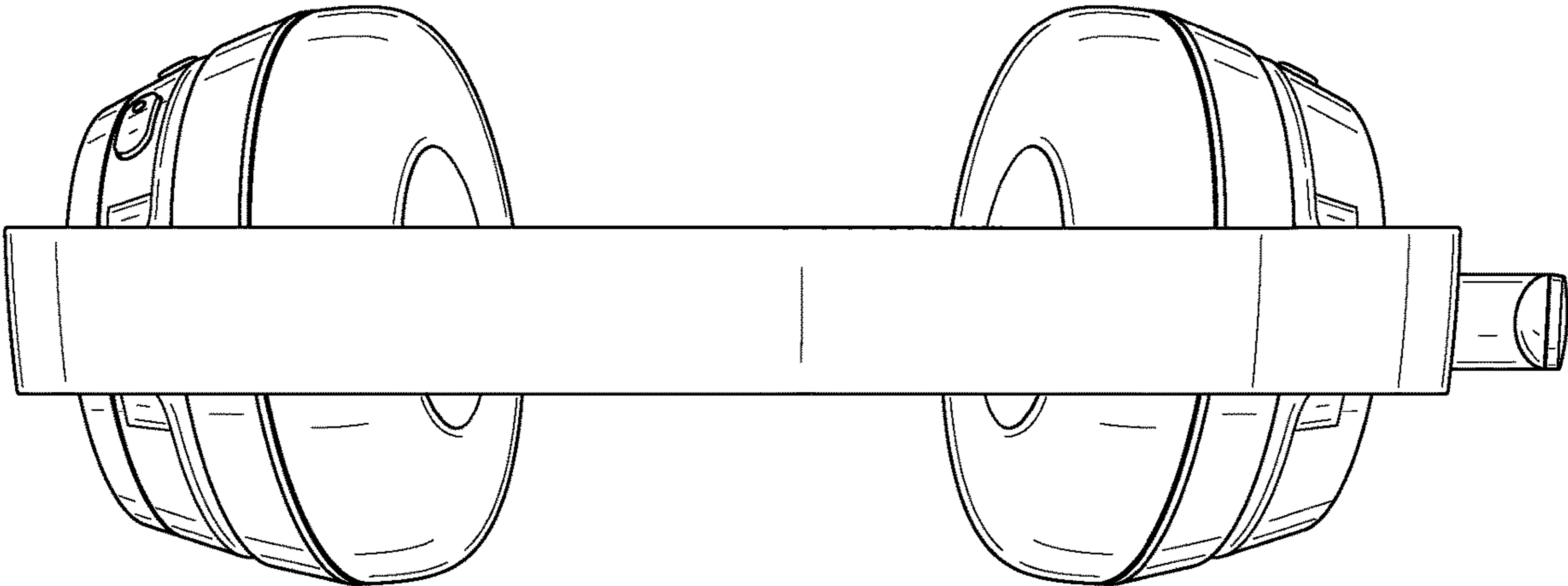


FIG. 7

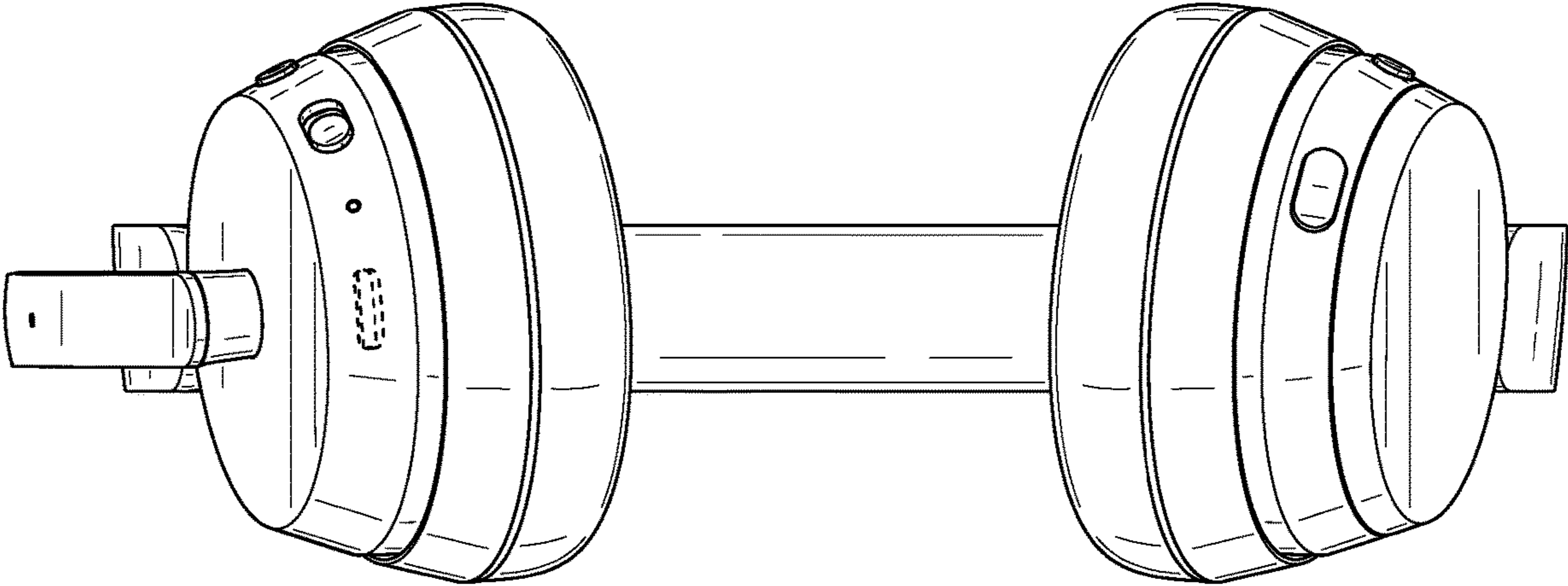


FIG. 8