



US00D973629S

(12) **United States Design Patent** (10) **Patent No.:** **US D973,629 S**
Akana et al. (45) **Date of Patent:** **** Dec. 27, 2022**

(54) **COMPONENT FOR A HEADPHONE**

(71) Applicant: **Apple Inc.**, Cupertino, CA (US)

(72) Inventors: **Jody Akana**, San Francisco, CA (US); **Molly Anderson**, San Francisco, CA (US); **Bartley K. Andre**, Palo Alto, CA (US); **Shota Aoyagi**, San Francisco, CA (US); **Anthony Michael Ashcroft**, San Francisco, CA (US); **Marine C. Bataille**, San Francisco, CA (US); **Jeremy Bataillou**, San Francisco, CA (US); **Abidur Rahman Chowdhury**, San Francisco, CA (US); **Clara Geneviève Marine Courtaigne**, Palo Alto, CA (US); **Markus Diebel**, San Francisco, CA (US); **Jonathan Gomez Garcia**, San Francisco, CA (US); **M. Evans Hankey**, San Francisco, CA (US); **Richard P. Howarth**, San Francisco, CA (US); **Jonathan P. Ive**, San Francisco, CA (US); **Julian Jaede**, San Francisco, CA (US); **Duncan Robert Kerr**, San Francisco, CA (US); **Peter Russell-Clarke**, San Francisco, CA (US); **Benjamin Andrew Shaffer**, San Jose, CA (US); **Joe Sung-Ho Tan**, Vienna (AT); **Clement Tissandier**, San Francisco, CA (US); **Eugene Antony Whang**, San Francisco, CA (US)

(73) Assignee: **Apple Inc.**, Cupertino, CA (US)

(**) Term: **15 Years**

(21) Appl. No.: **29/839,452**

(22) Filed: **May 20, 2022**

Related U.S. Application Data

(63) Continuation of application No. 29/739,075, filed on Jun. 22, 2020, now Pat. No. Des. 953,598.

(51) **LOC (13) Cl.** **14-01**

(52) **U.S. Cl.**
USPC **D14/205**

(58) **Field of Classification Search**
USPC D14/205, 188, 192, 224; D29/112;
2/209, 423; 181/148, 150, 159, 199;
381/380–381, 389, 182, 186, 433
(Continued)

(56) **References Cited**

U.S. PATENT DOCUMENTS

2,681,389 A * 6/1954 Shaper H04R 11/00
381/189
3,073,410 A * 1/1963 Gongoll A61F 11/14
181/129

(Continued)

FOREIGN PATENT DOCUMENTS

EM 002296970-0004 * 8/2013
EM 008205074-0001 * 10/2020

(Continued)

Primary Examiner — Paula Allen Greene

(74) *Attorney, Agent, or Firm* — Sterne, Kessler, Goldstein & Fox P.L.L.C.

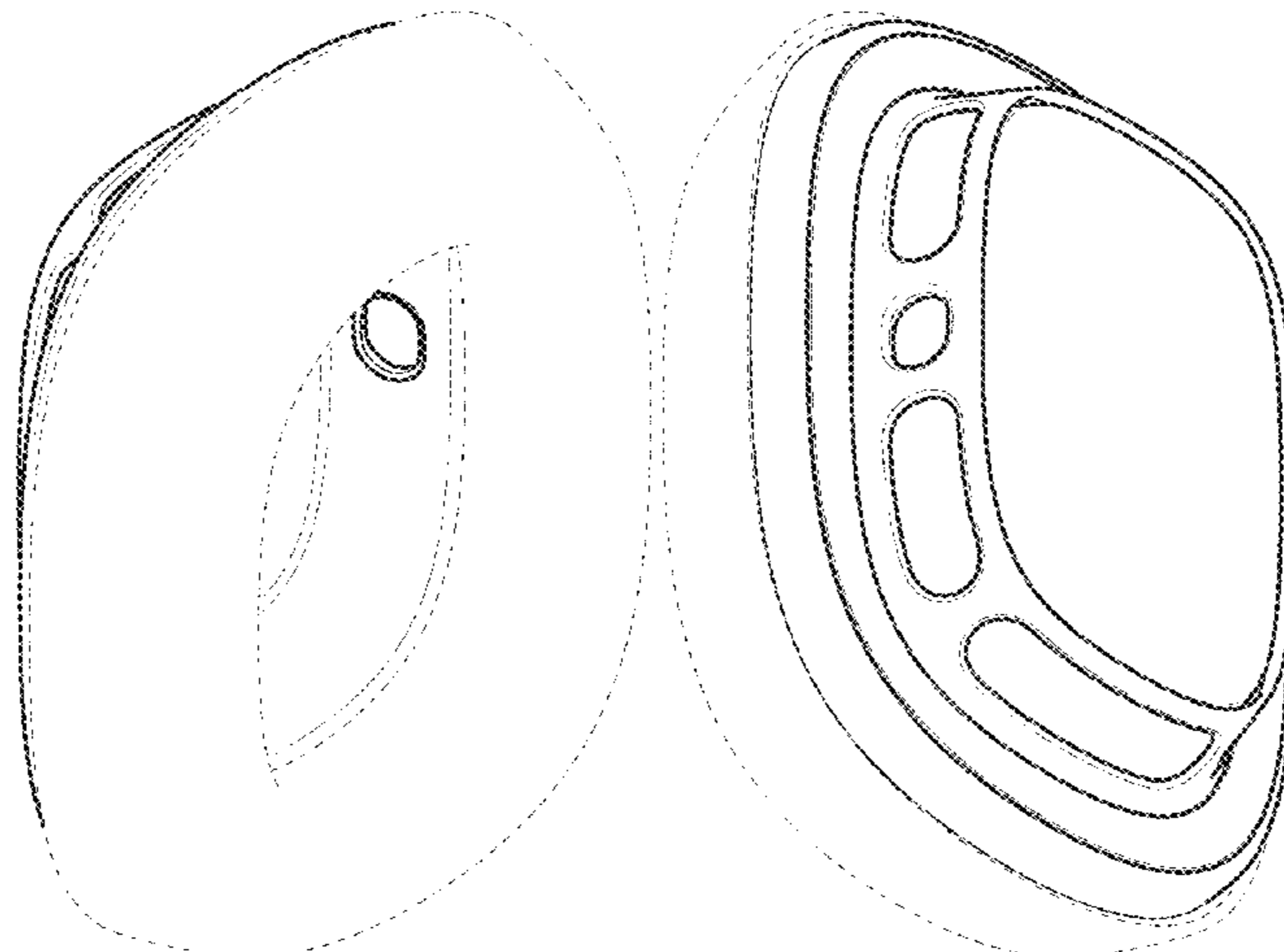
(57) **CLAIM**

The ornamental design for a component for a headphone, as shown and described.

DESCRIPTION

FIG. 1 is a top front perspective view of a component for a headphone showing the claimed design;
FIG. 2 is a bottom rear perspective view thereof;
FIG. 3 is a front view thereof;
FIG. 4 is a rear view thereof;
FIG. 5 is a left side view thereof;
FIG. 6 is a right side view thereof;
FIG. 7 is a top view thereof; and,
FIG. 8 is a bottom view thereof.

(Continued)



The broken lines in the figures show portions of the component for a headphone that form no part of the claimed design.

1 Claim, 6 Drawing Sheets

(58) Field of Classification Search

CPC H04R 25/00; H04R 25/02; H04R 1/1016; H04R 1/1066; H04R 5/033; H04R 5/0335; H04R 1/02; H04R 1/105; H04R 1/1091; H04R 1/1008; H04R 1/10; H05K 5/00; A61F 11/14

See application file for complete search history.

(56) References Cited

U.S. PATENT DOCUMENTS

3,220,505 A * 11/1965 Hargrave H04M 1/05
181/129
3,454,964 A * 7/1969 Brinkhoff A61F 11/14
381/372
3,506,981 A * 4/1970 Stewart A61F 11/14
2/209
3,535,710 A * 10/1970 Aileo A42B 3/166
2/209
3,593,341 A * 7/1971 Aileo A42B 3/166
381/372
3,794,779 A * 2/1974 Greuzerd H04R 5/033
381/5
4,065,645 A * 12/1977 Warner H04R 5/0335
381/377
4,143,249 A * 3/1979 Cinquino H04R 1/025
381/86
4,439,645 A * 3/1984 Scalzo H04M 1/19
381/372
4,550,429 A * 10/1985 Burbank H04R 1/025
379/420.02
D301,145 S * 5/1989 Besasie D14/206
4,860,369 A * 8/1989 Koshimura H04R 1/24
381/87
D307,275 S * 4/1990 Pollard D14/249
4,944,361 A * 7/1990 Lindgren A42B 3/166
181/129
5,018,599 A * 5/1991 Dohi H04R 1/1008
181/129
5,023,955 A * 6/1991 Murphy, II A61F 11/14
181/129
5,068,923 A * 12/1991 Sjoqvist A61F 11/14
181/129
D328,461 S * 8/1992 Daido D14/205
5,185,807 A * 2/1993 Bergin H04R 1/1066
181/129
5,233,650 A * 8/1993 Chan H04M 1/05
379/430
D353,818 S * 12/1994 Nakamura D14/205
5,406,037 A * 4/1995 Nageno H04R 5/0335
181/129
5,469,505 A * 11/1995 Gattey H04M 1/05
D14/206
5,739,481 A * 4/1998 Baumhauer, Jr. H04R 1/025
181/150

6,263,085 B1 * 7/2001 Weffer H04R 1/1075
381/186
6,353,938 B1 * 3/2002 Young A61F 11/14
381/372
6,449,806 B1 * 9/2002 Engelhard H04R 5/0335
381/376
D476,639 S * 7/2003 Bergeron D14/205
7,172,052 B2 * 2/2007 Lenhard-Backhaus
H04R 1/1066
181/129
D538,261 S * 3/2007 Taylor D14/205
7,292,704 B2 * 11/2007 Lederer G01R 33/283
600/410
D563,382 S * 3/2008 Wikel D14/205
7,388,960 B2 * 6/2008 Kuo H04R 5/02
381/384
7,766,120 B2 * 8/2010 Hansson A61F 11/14
181/129
D634,732 S * 3/2011 Kondo D14/205
D639,775 S * 6/2011 Horibe D14/205
D642,554 S * 8/2011 Schaal D14/205
D657,776 S * 4/2012 Lee D14/205
D673,519 S * 1/2013 Tan D14/205
D673,520 S * 1/2013 Tan D14/205
8,363,877 B2 * 1/2013 Morisawa H04R 5/0335
381/74
D684,559 S * 6/2013 Groset D14/205
D705,750 S * 5/2014 Wu H04R 1/1066
D14/205
8,767,996 B1 * 7/2014 Lin H04R 1/1091
381/370
D727,281 S * 4/2015 Levine D14/205
D728,512 S * 5/2015 Nakagawa D14/205
D736,175 S * 8/2015 Levine D14/205
D739,842 S * 9/2015 Birger D14/205
9,167,347 B1 * 10/2015 Silberberg H04R 1/1041
D747,290 S * 1/2016 Lee D14/205
D762,191 S * 7/2016 Levine D14/205
D817,304 S * 5/2018 Hardi D14/205
D842,270 S * 3/2019 Chen D14/205
D893,446 S * 8/2020 Rodriguez D14/206
D900,783 S * 11/2020 Levine D14/205
D916,680 S * 4/2021 Akana D14/205
D926,725 S * 8/2021 Akana D14/205
D937,806 S * 12/2021 Akana D14/205
D950,526 S * 5/2022 Akana D14/223
D952,598 S * 5/2022 Akana D14/205
D953,288 S * 5/2022 Akana D14/205
2002/0085733 A1 * 7/2002 Cottrell H04R 5/033
381/376
2004/0247143 A1 * 12/2004 Lantrua H04R 17/00
381/151
2008/0063222 A1 * 3/2008 Zheng H04R 19/016
381/151
2008/0247588 A1 * 10/2008 Yang H04R 1/1075
381/371
2016/0080853 A1 * 3/2016 Chen H04R 1/1083
381/74
2019/0230445 A1 * 7/2019 Qin H04R 9/022

FOREIGN PATENT DOCUMENTS

JP D1691873 * 7/2021
JP D1719769 * 7/2022
KR 301121827.0000 * 7/2021
KR 301122646.0000 * 7/2021

* cited by examiner

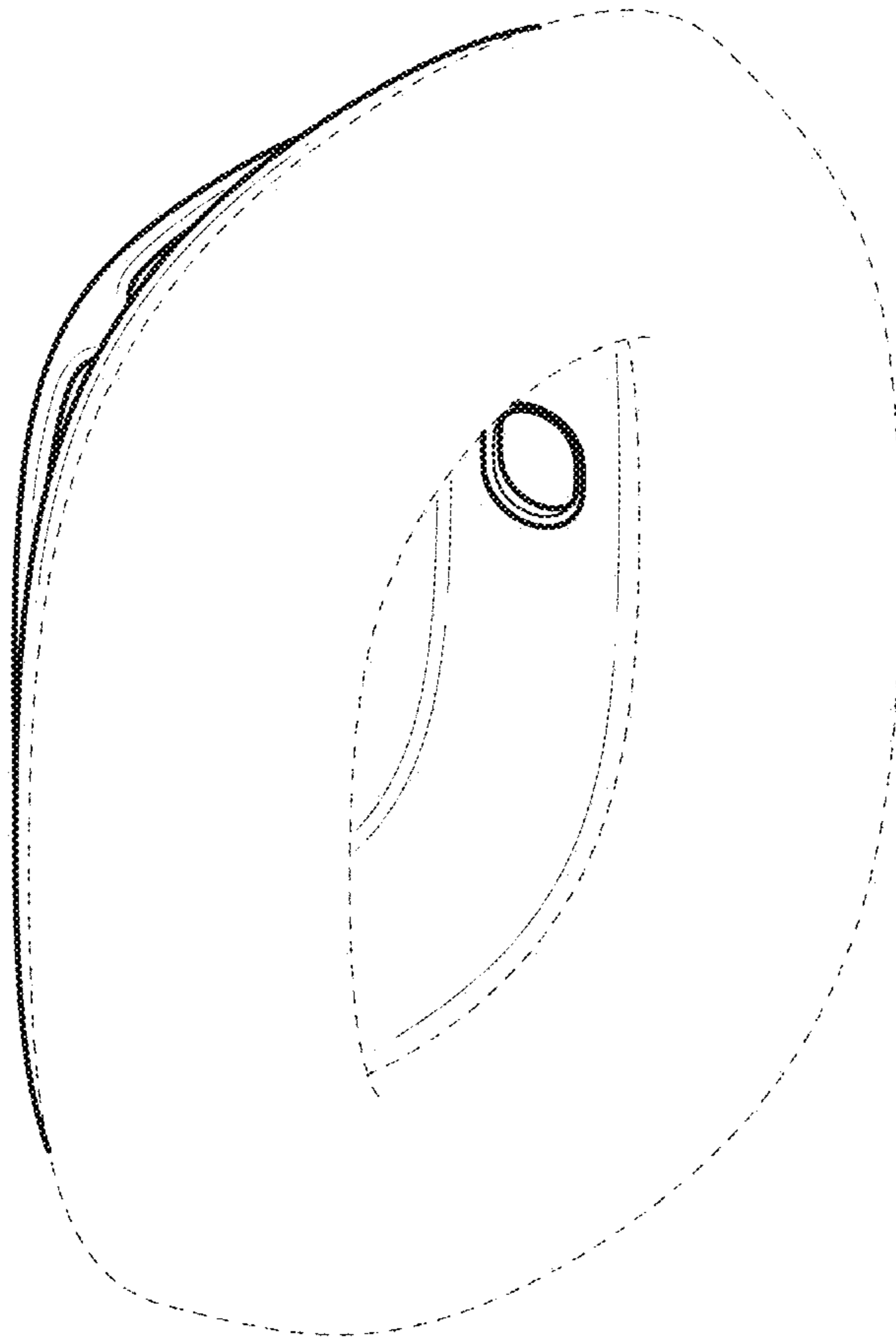


FIG. 1

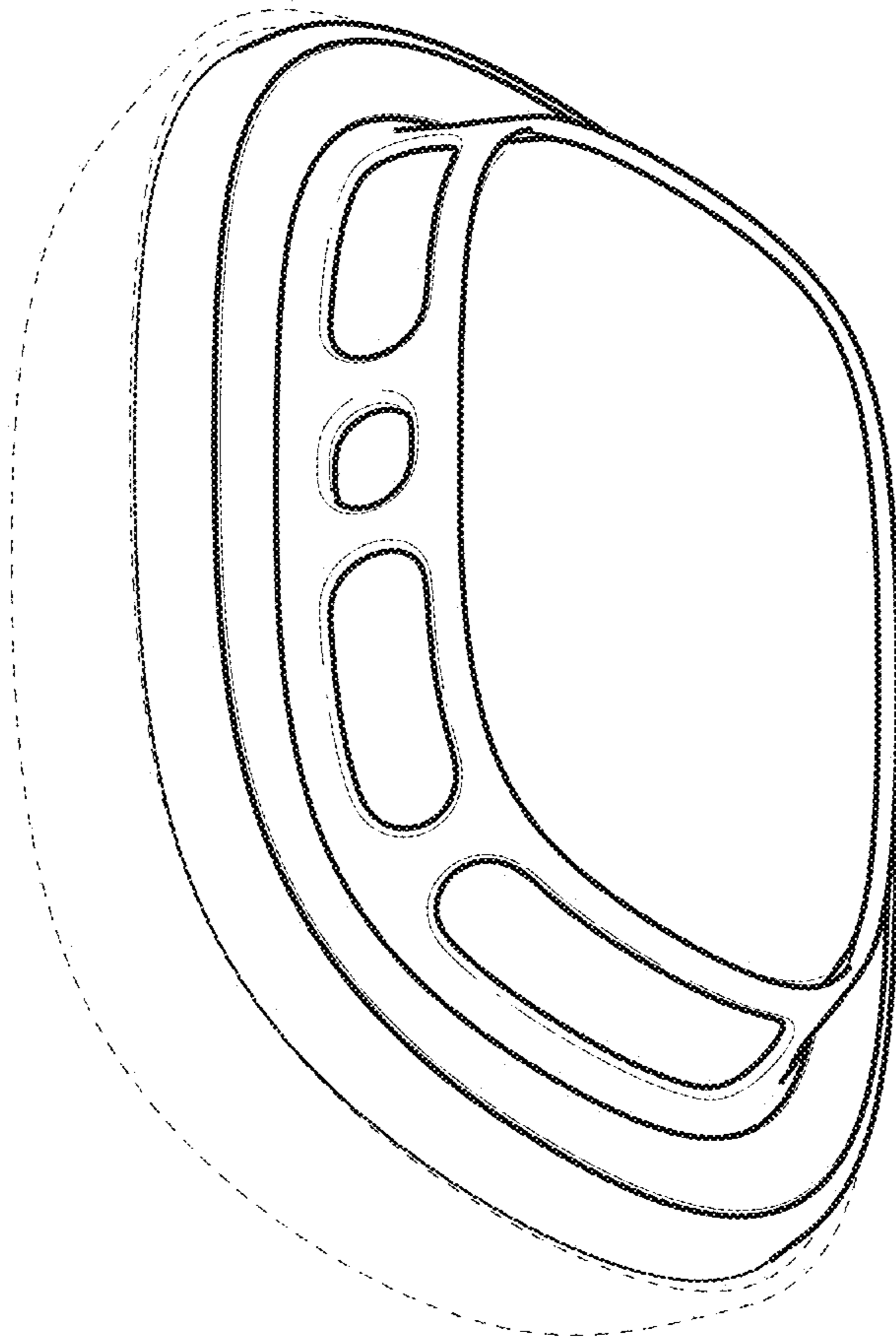


FIG. 2

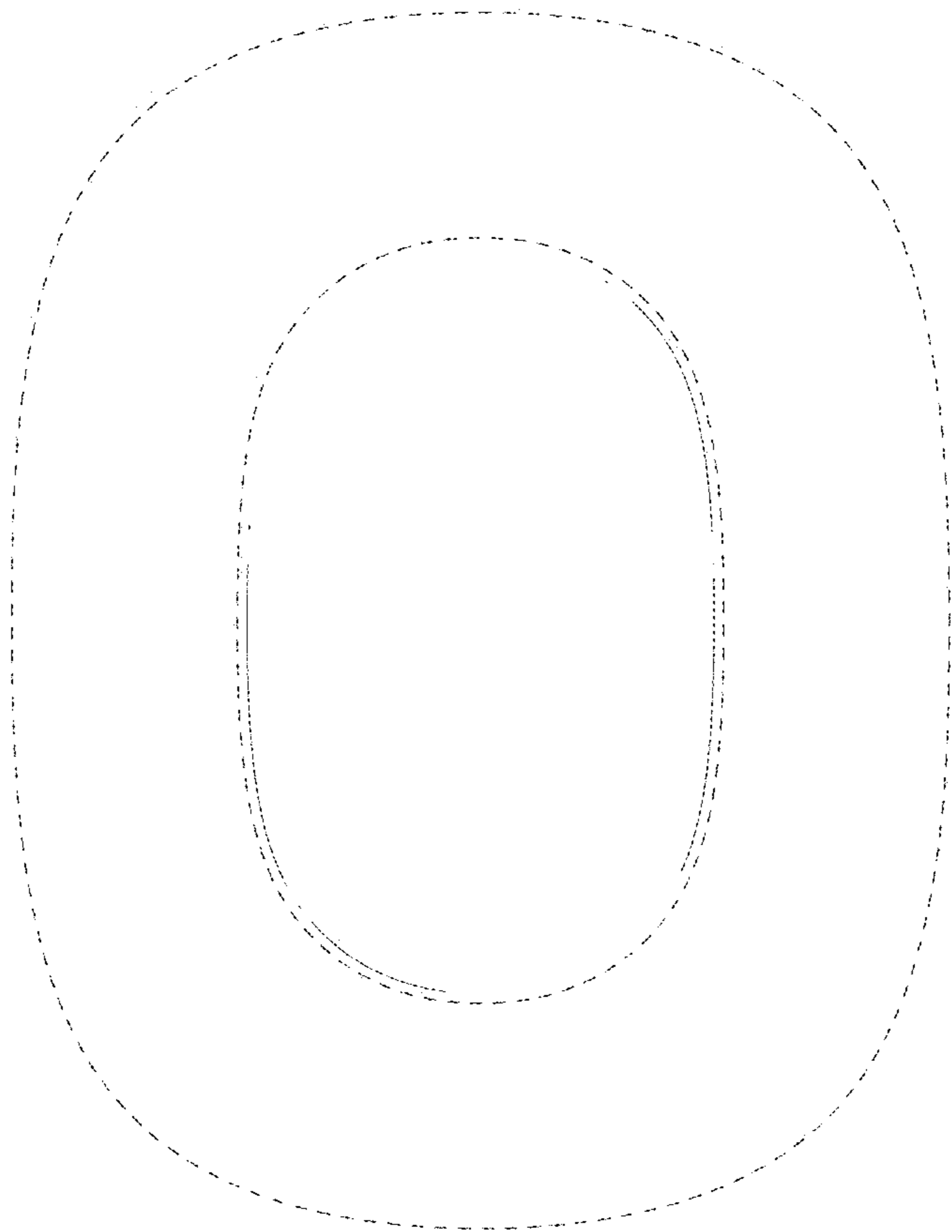


FIG. 3

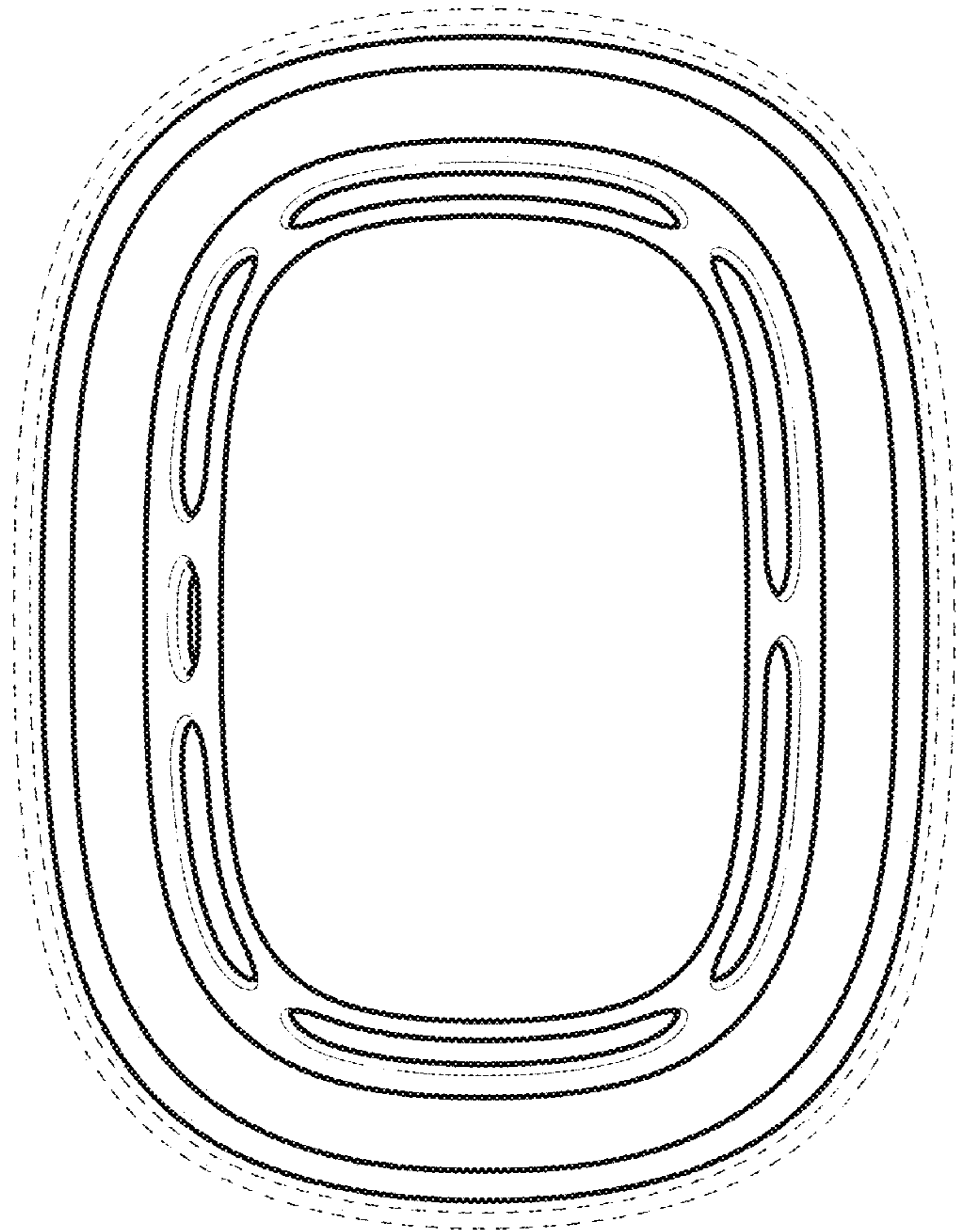


FIG. 4

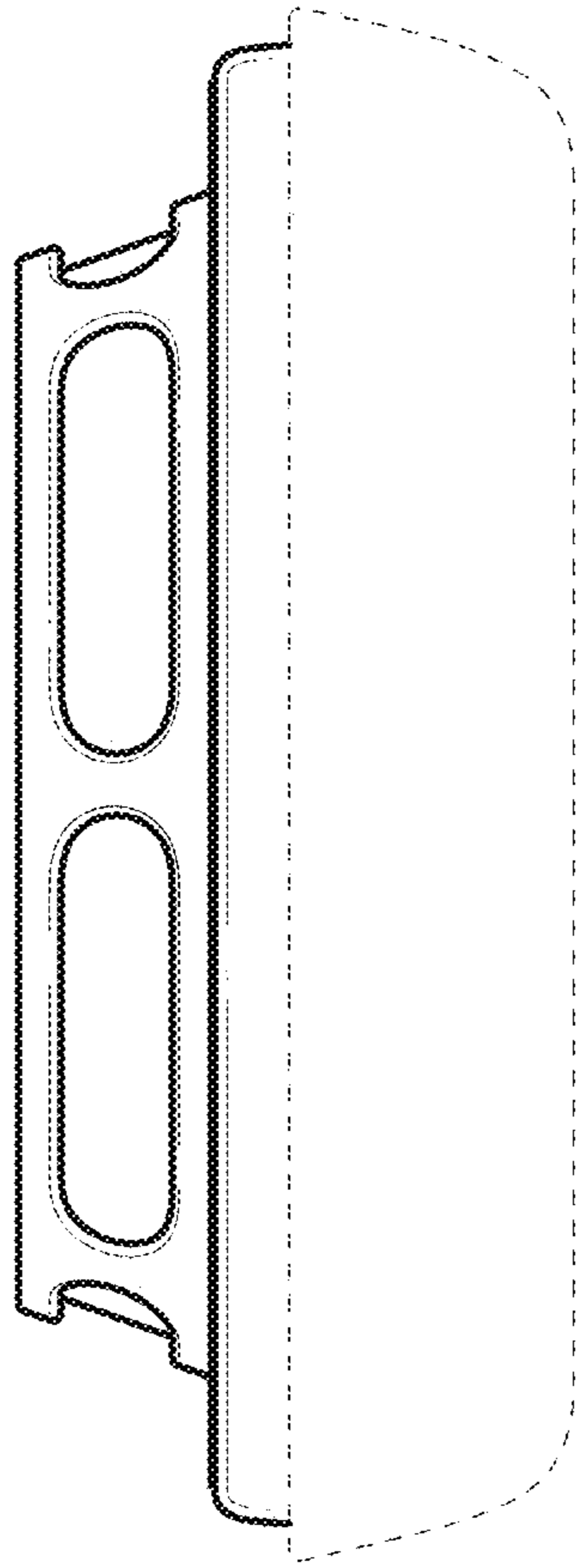


FIG. 5

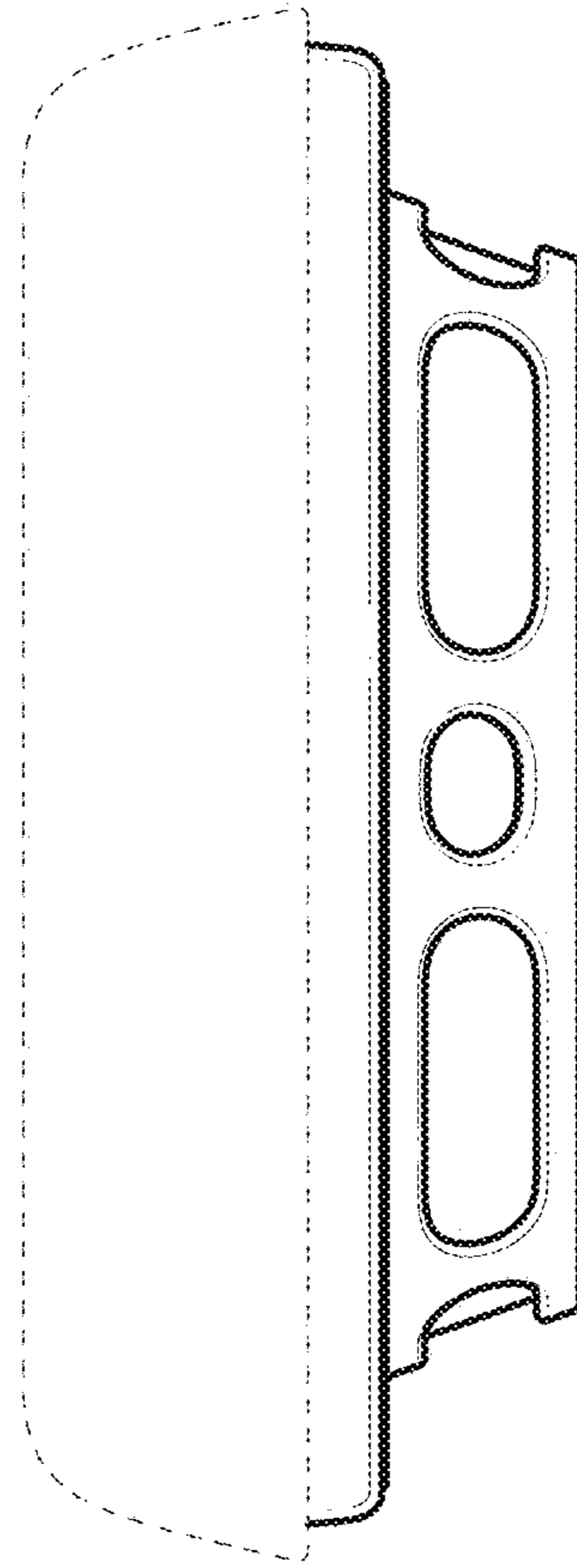


FIG. 6

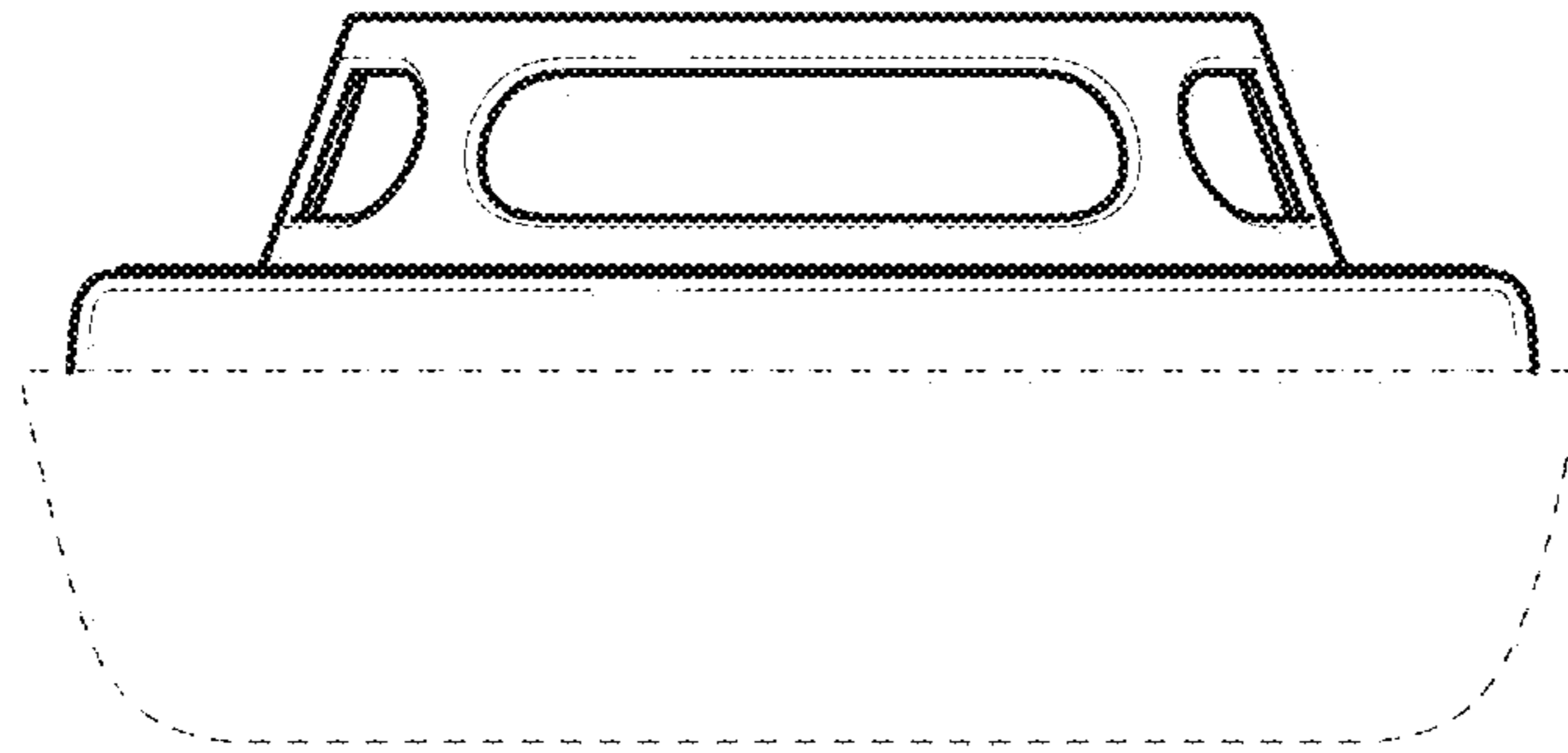


FIG. 7

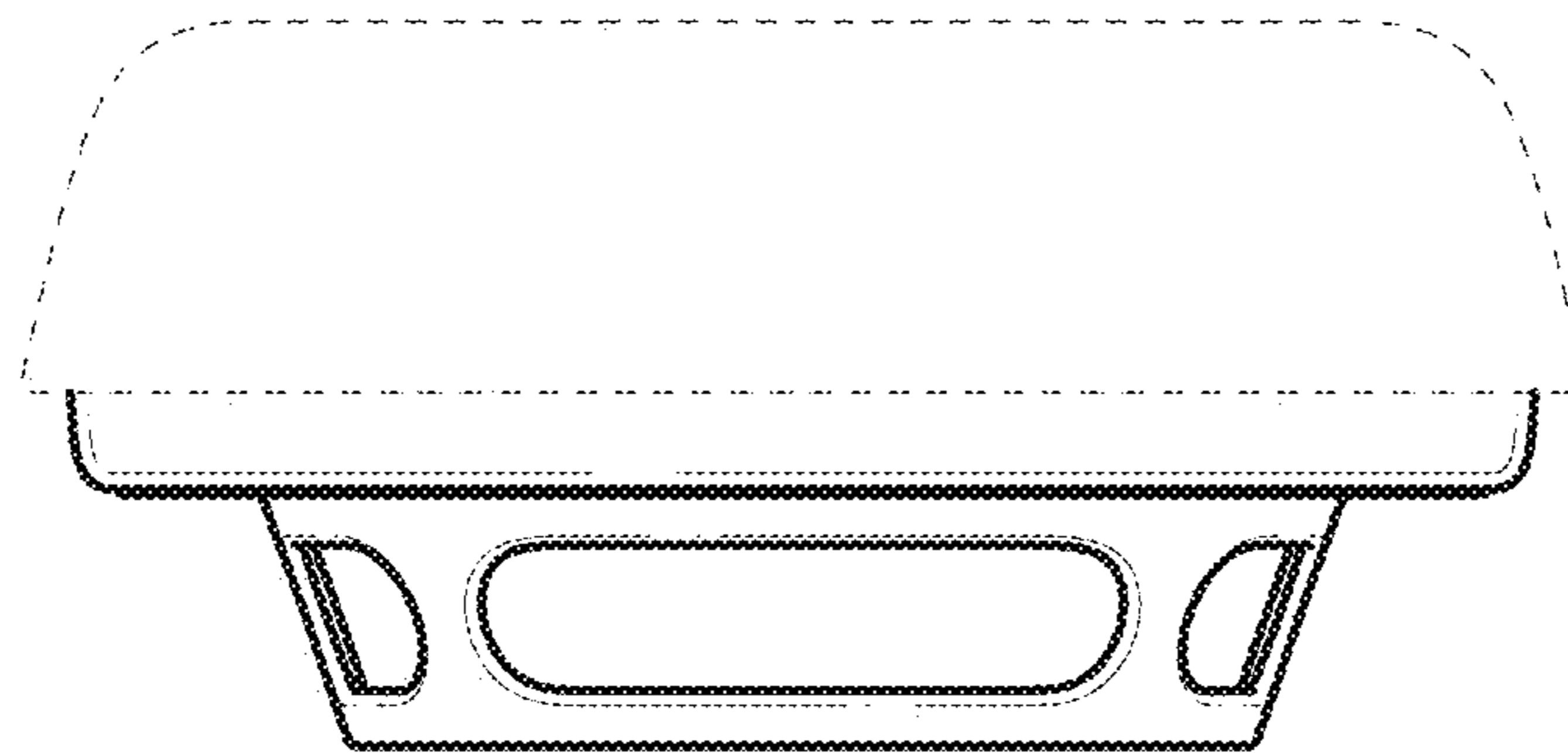


FIG. 8

UNITED STATES PATENT AND TRADEMARK OFFICE
CERTIFICATE OF CORRECTION

PATENT NO. : D973,629 S
APPLICATION NO. : 29/839452
DATED : December 27, 2022
INVENTOR(S) : Akana et al.

Page 1 of 1

It is certified that error appears in the above-identified patent and that said Letters Patent is hereby corrected as shown below:

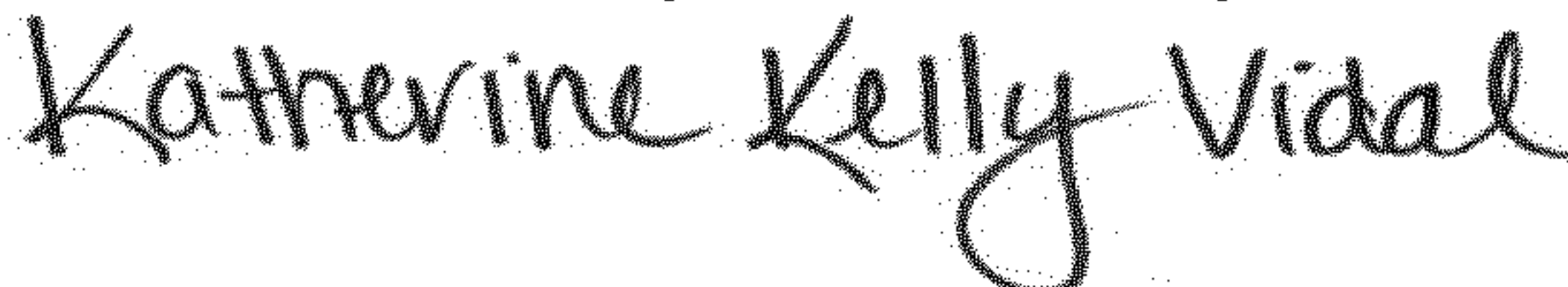
On the Title Page

Item (63), In the Related U.S. Application Data, replace:

“Continuation of application No. 29/739,075, filed on Jun. 22, 2020, now Pat. No. Des. 953,598.”

With:

“Continuation of application No. 29/739,075, filed on Jun. 22, 2020, now Pat. No. Des. 952,598.”

Signed and Sealed this
Thirteenth Day of February, 2024


Katherine Kelly Vidal
Director of the United States Patent and Trademark Office