



US00D973626S

(12) **United States Design Patent**
Wu et al.

(10) **Patent No.:** **US D973,626 S**

(45) **Date of Patent:** **** Dec. 27, 2022**

(54) **HEADSET**

(71) Applicant: **Logitech Europe S.A.**, Lausanne (CH)

(72) Inventors: **Libao Wu**, Fremont, CA (US); **Tony Mankit Kan**, Burlingame, CA (US); **Ingve Holmung**, Cupertino, CA (US); **Yu-Jing Huang**, New Taipei (TW); **Chih-Hung Jen**, Hsinchu (TW)

(73) Assignee: **Logitech Europe S.A.**, Lausanne (CH)

(**) Term: **15 Years**

(21) Appl. No.: **29/772,091**

(22) Filed: **Feb. 26, 2021**

(51) **LOC (13) Cl.** **14-01**

(52) **U.S. Cl.**
USPC **D14/205**

(58) **Field of Classification Search**
USPC D14/205, 206, 188, 192; D29/112;
2/209; 381/380-381, 370, 374
CPC H04R 25/00; H04R 25/02; H04R 1/1066;
H04R 1/1016; H04R 5/033; H04R
5/0335; H04R 1/105; H04R 1/1091
See application file for complete search history.

(56) **References Cited**

U.S. PATENT DOCUMENTS

D468,723 S *	1/2003	Pham	D14/205
6,724,906 B2 *	4/2004	Naksen	H04R 1/1066 381/370
D661,683 S *	6/2012	Frey	D14/205
D674,767 S *	1/2013	Brunner	D14/205
D713,817 S *	9/2014	Paterson	D14/205
D722,591 S *	2/2015	Son	D14/205
D796,474 S *	9/2017	Treski	D14/205
D800,091 S *	10/2017	Paterson	D14/206
D800,092 S *	10/2017	Paterson	D14/206
D826,210 S *	8/2018	Chong	D14/205

D826,897 S *	8/2018	Wang	D14/206
D870,696 S *	12/2019	Deng	D14/206
D873,237 S *	1/2020	Ozawa	D14/205
D881,843 S *	4/2020	Hu	D14/206
D894,869 S *	9/2020	Tang	D14/206
D900,783 S *	11/2020	Levine	D14/205
D902,496 S *	11/2020	Bui	D29/112
D904,340 S *	12/2020	Law	D14/206
D907,004 S *	1/2021	Zhou	D14/206
D908,110 S *	1/2021	Zhou	D14/206
D909,337 S *	2/2021	Liu	D14/206

(Continued)

FOREIGN PATENT DOCUMENTS

EM	008168900-0001	*	9/2020
EM	008168900-0002	*	9/2020

(Continued)

Primary Examiner — Paula Allen Greene

(74) *Attorney, Agent, or Firm* — Kilpatrick Townsend & Stockton LLP

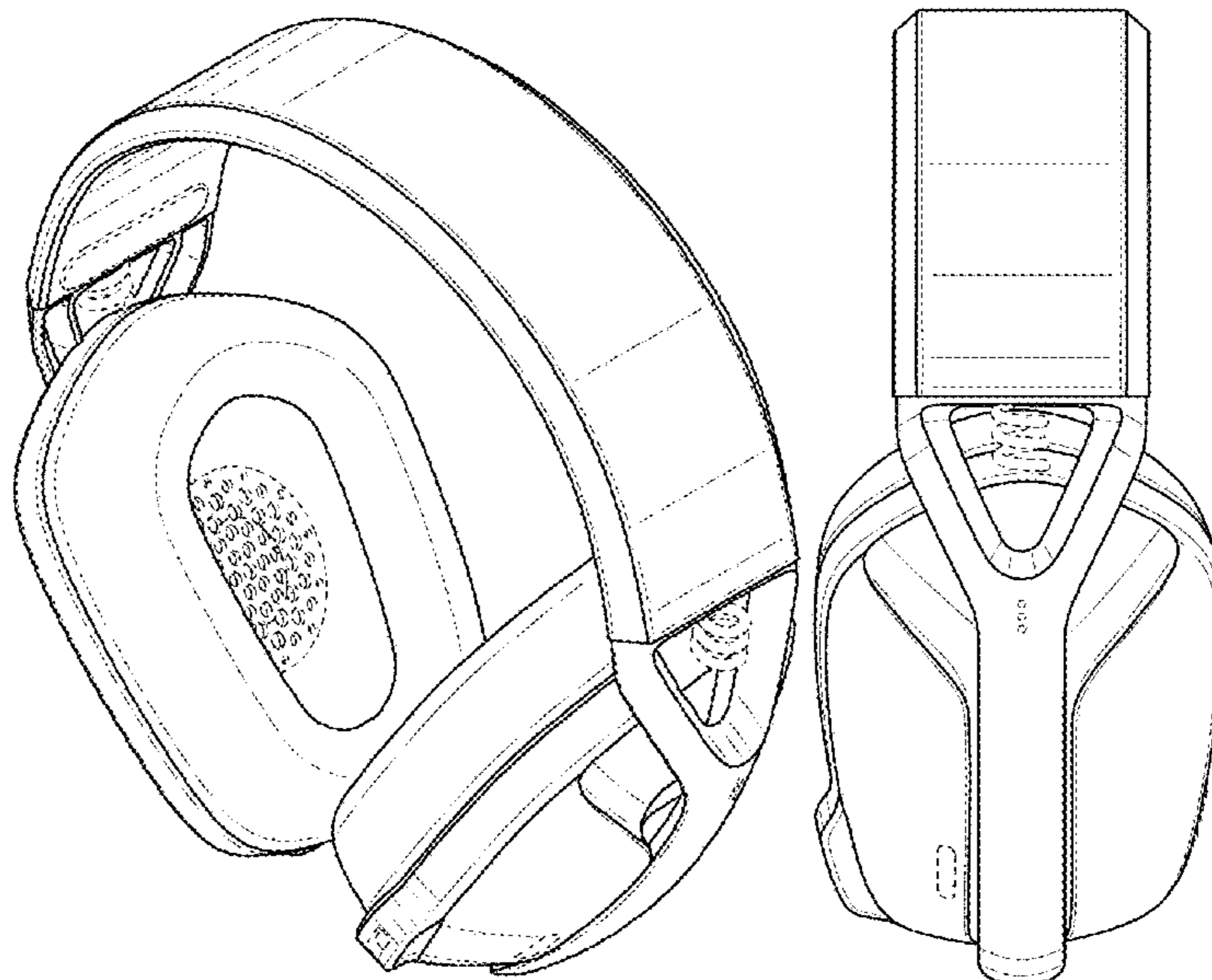
(57) **CLAIM**

The ornamental design for a headset, as shown and described.

DESCRIPTION

FIG. 1 is a top, front perspective view of a headset showing our new design;
FIG. 2 is a bottom, front perspective view thereof;
FIG. 3 is a bottom, rear perspective view thereof;
FIG. 4 is a front elevation view thereof;
FIG. 5 is a rear elevation view thereof;
FIG. 6 is a top plan thereof;
FIG. 7 is a bottom plan view thereof;
FIG. 8 is a left side elevation view thereof; and,
FIG. 9 is a right side elevation view thereof.
The broken lines depict portions of the headset in which the design is embodied that form no part of the claimed design.

1 Claim, 7 Drawing Sheets



(56)

References Cited

U.S. PATENT DOCUMENTS

D916,047	S *	4/2021	Xiao	D14/205
D916,681	S *	4/2021	He	D14/206
D924,842	S *	7/2021	Chan	D14/206
D931,831	S *	9/2021	Liu	D14/206
D951,225	S *	5/2022	MacDonald	D14/205
D955,365	S *	6/2022	Pugmire	D14/206
2003/0037366	A1 *	2/2003	Lindgren	A61F 11/14 2/209
2003/0182713	A1 *	10/2003	Rolla	H04R 1/1066 2/209
2003/0210801	A1 *	11/2003	Naksen	H04R 1/1066 381/376
2013/0087404	A1 *	4/2013	Peskar	B29C 44/146 181/129
2016/0142812	A1 *	5/2016	Honda	H04R 5/033 381/372
2017/0019728	A1 *	1/2017	Cochran	H04R 1/1091
2017/0347194	A1 *	11/2017	Nyegaard	H04R 1/1058

FOREIGN PATENT DOCUMENTS

EM	008584486-0001	*	6/2021
EM	008931539-0001	*	4/2022
EM	009070709-0001	*	6/2022
EM	009070709-0002	*	6/2022
GB	9008168900-0002	*	9/2020

* cited by examiner

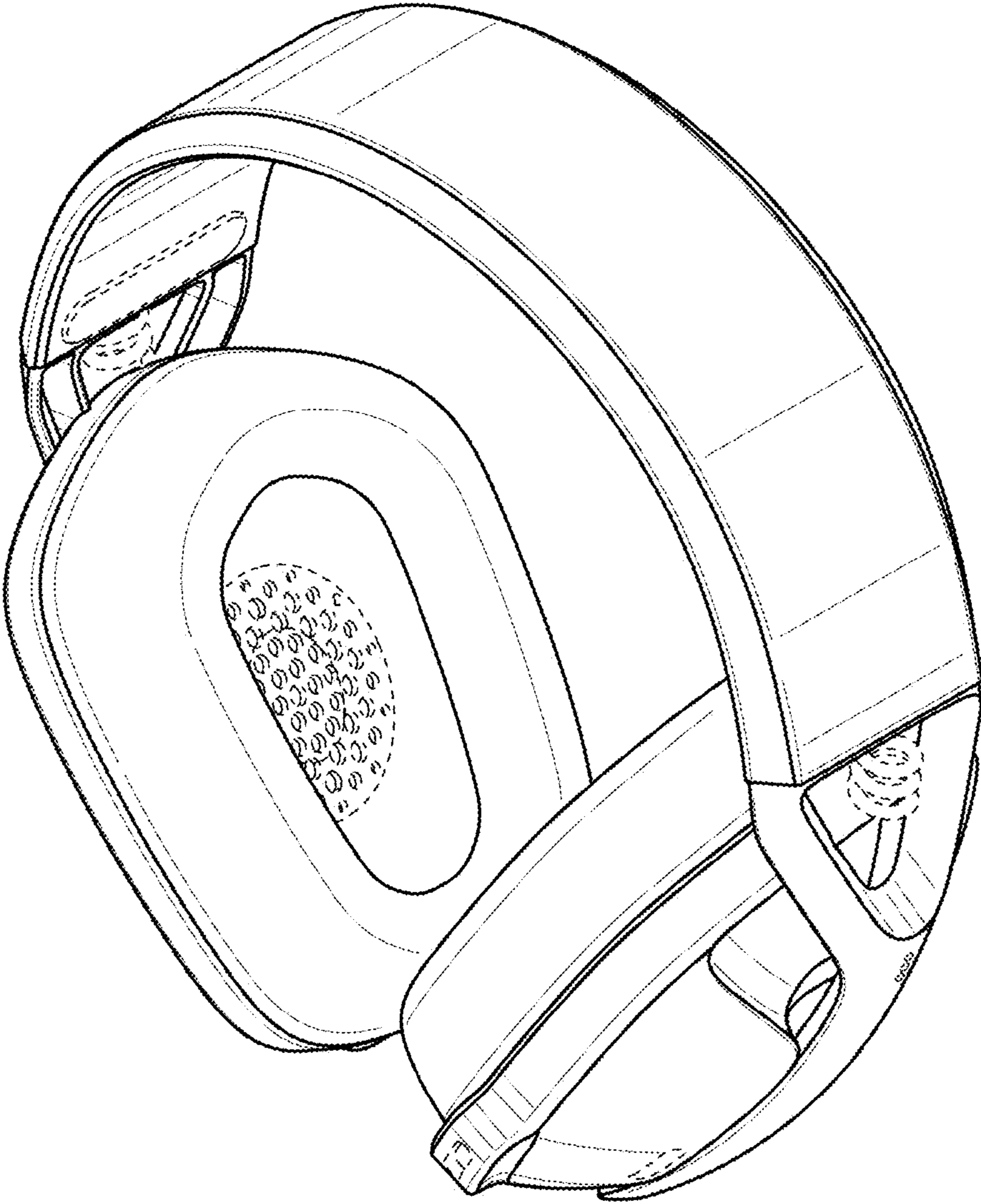


FIG. 1

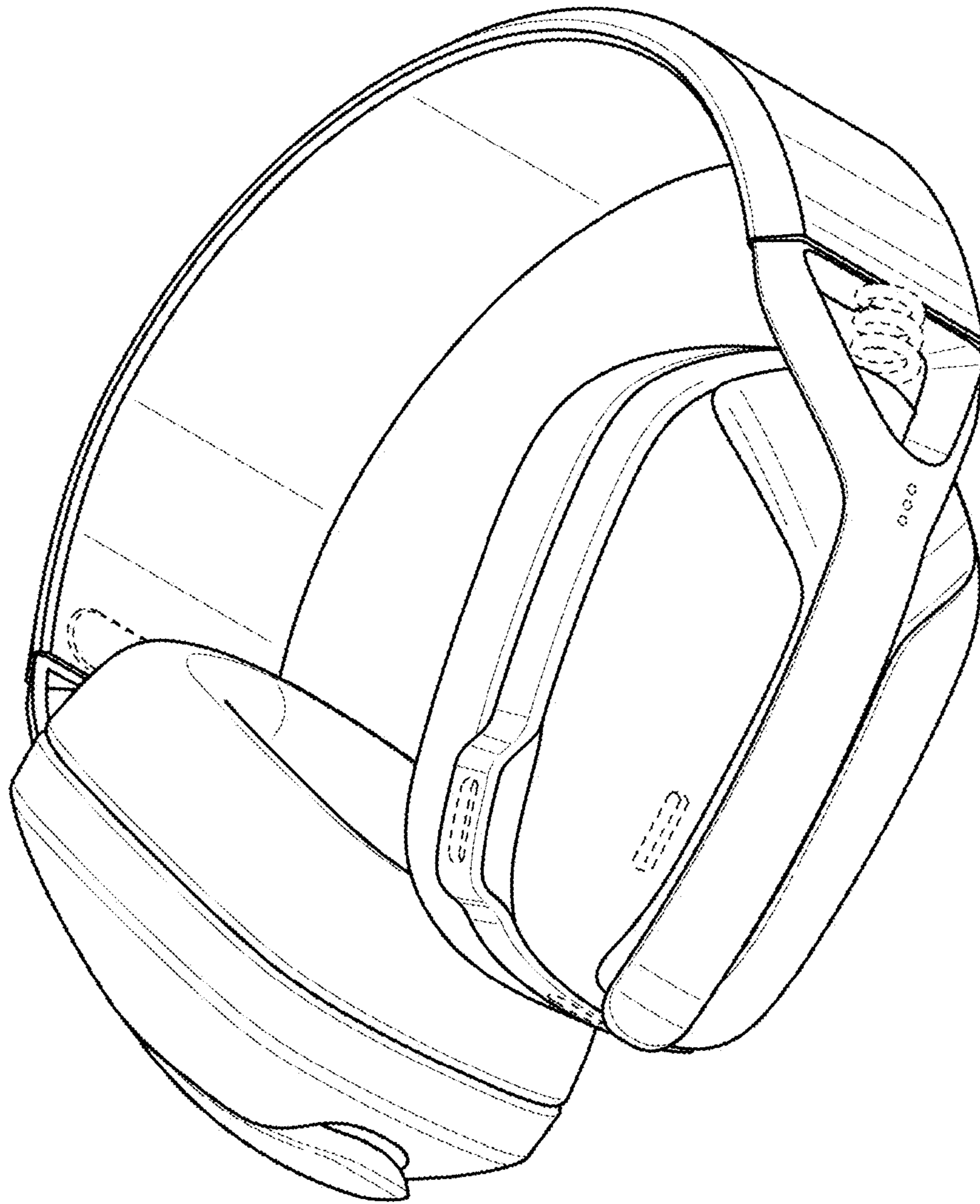


FIG. 2

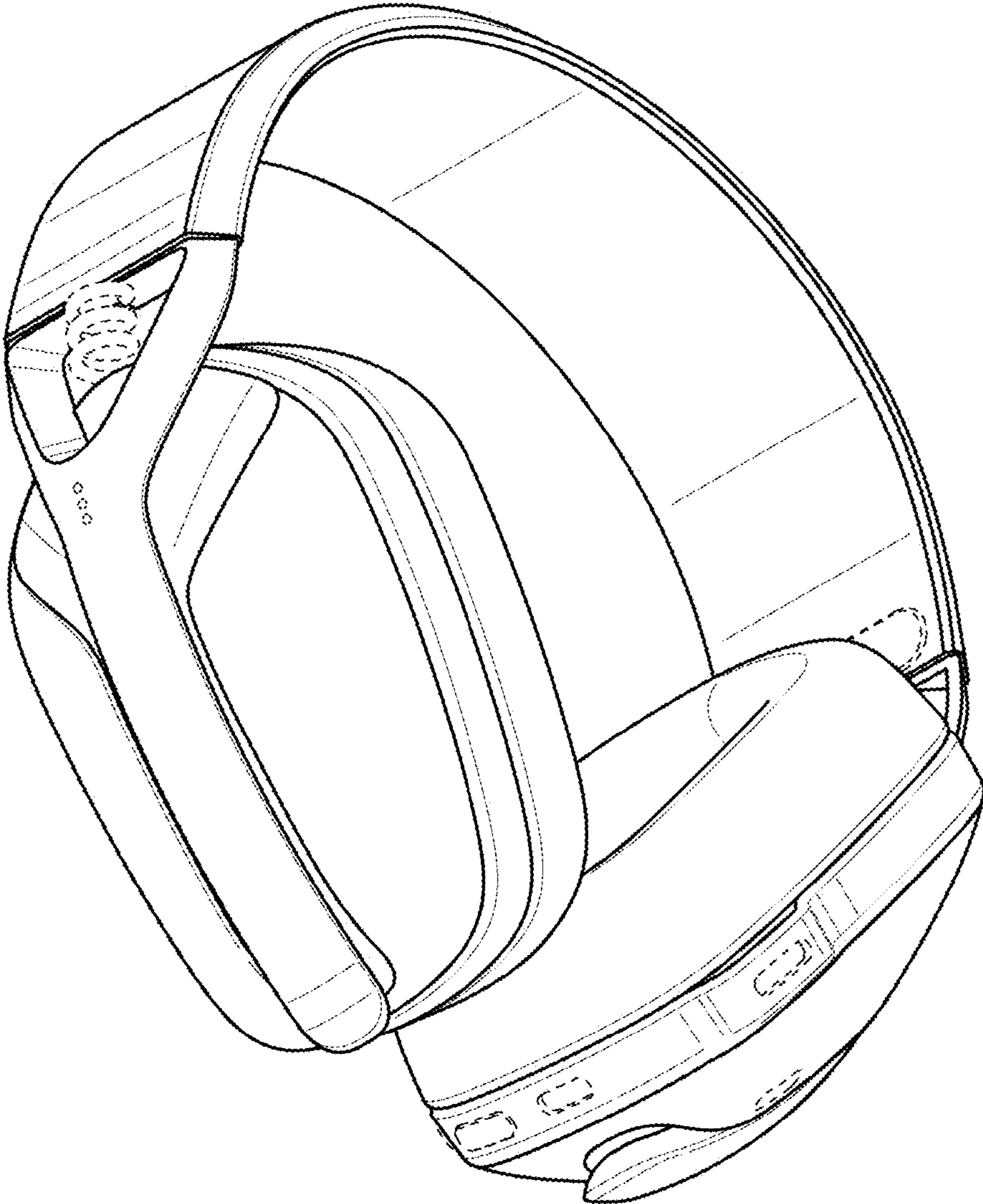


FIG. 3



FIG. 5

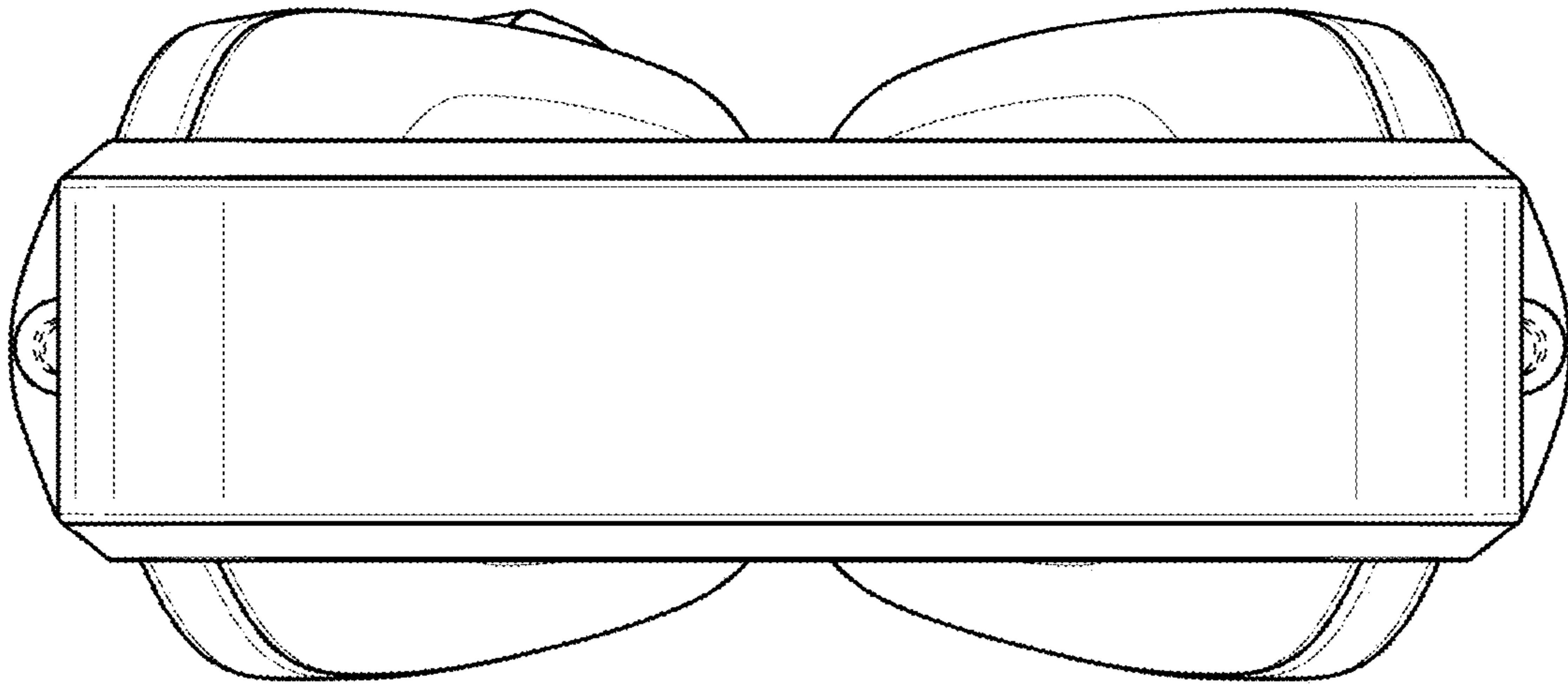


FIG. 6

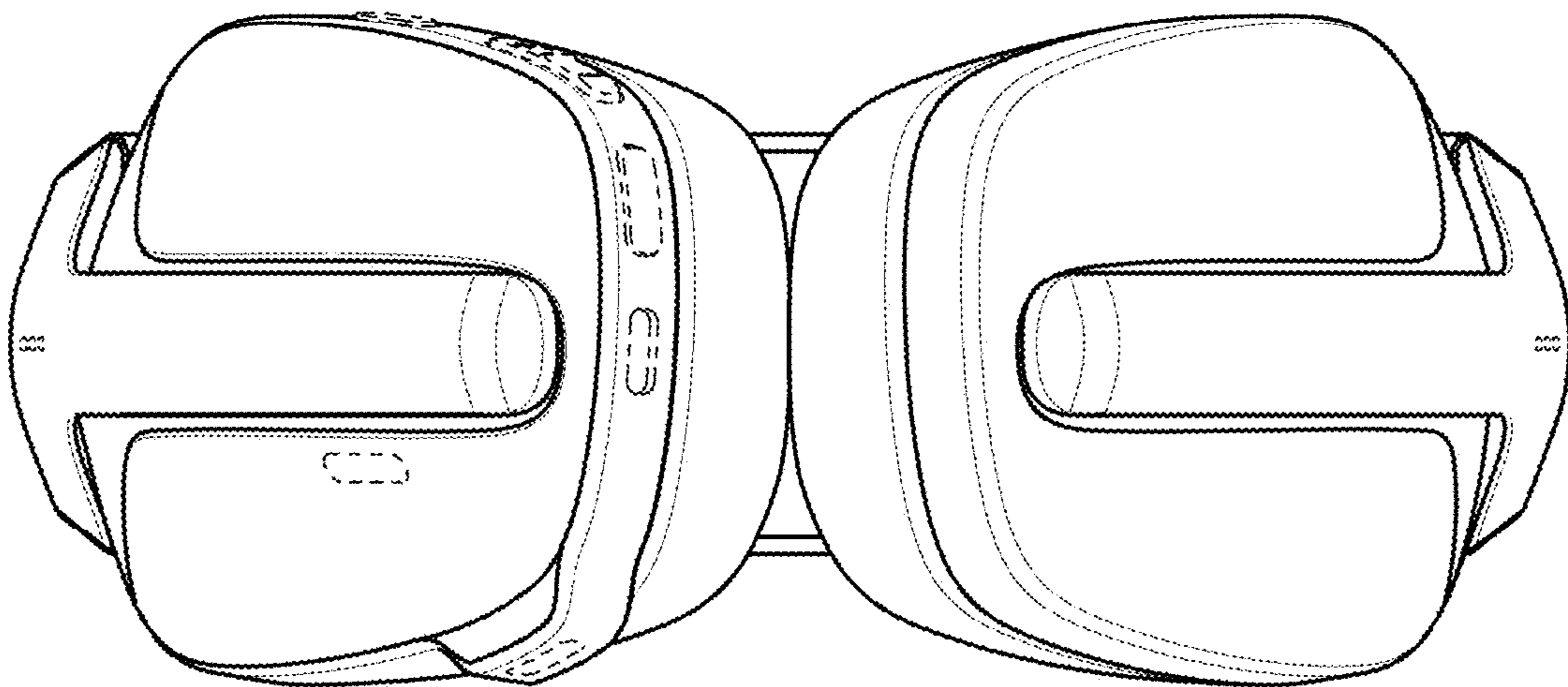


FIG. 7

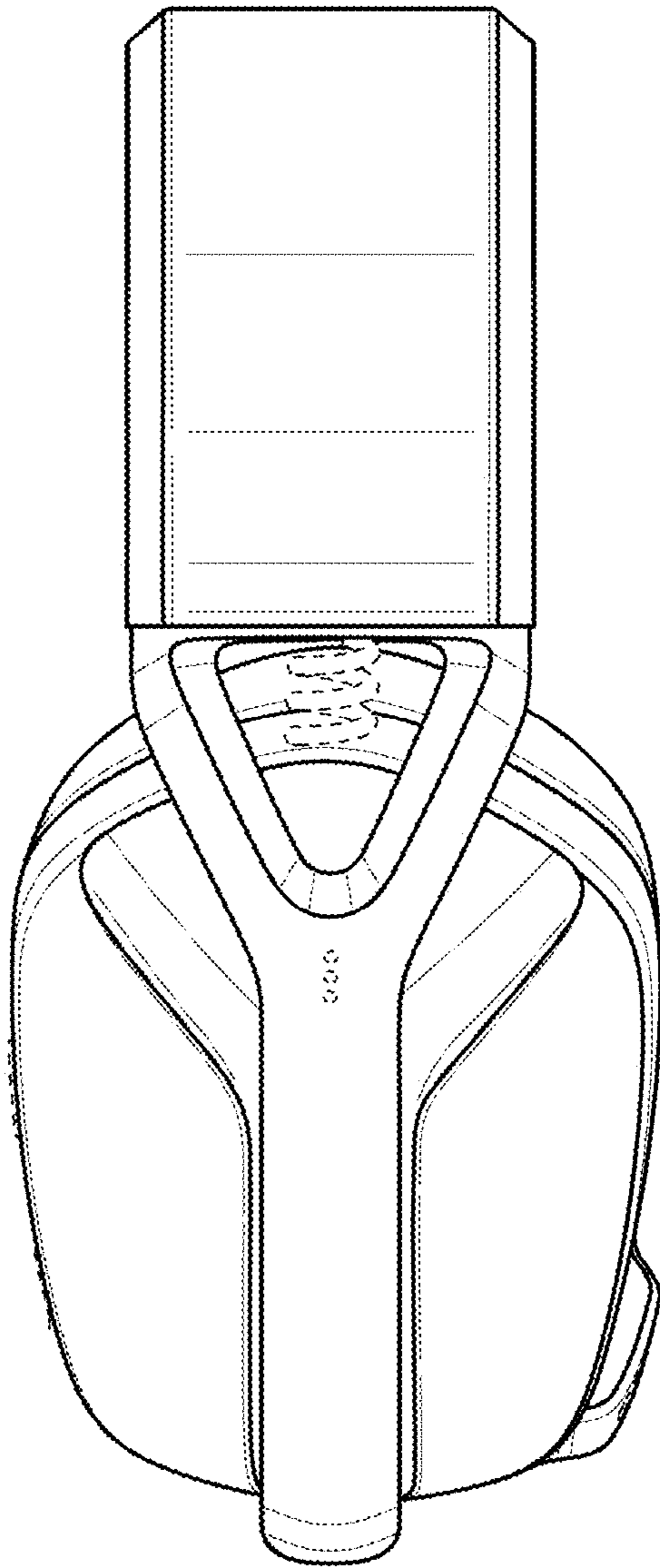


FIG. 8

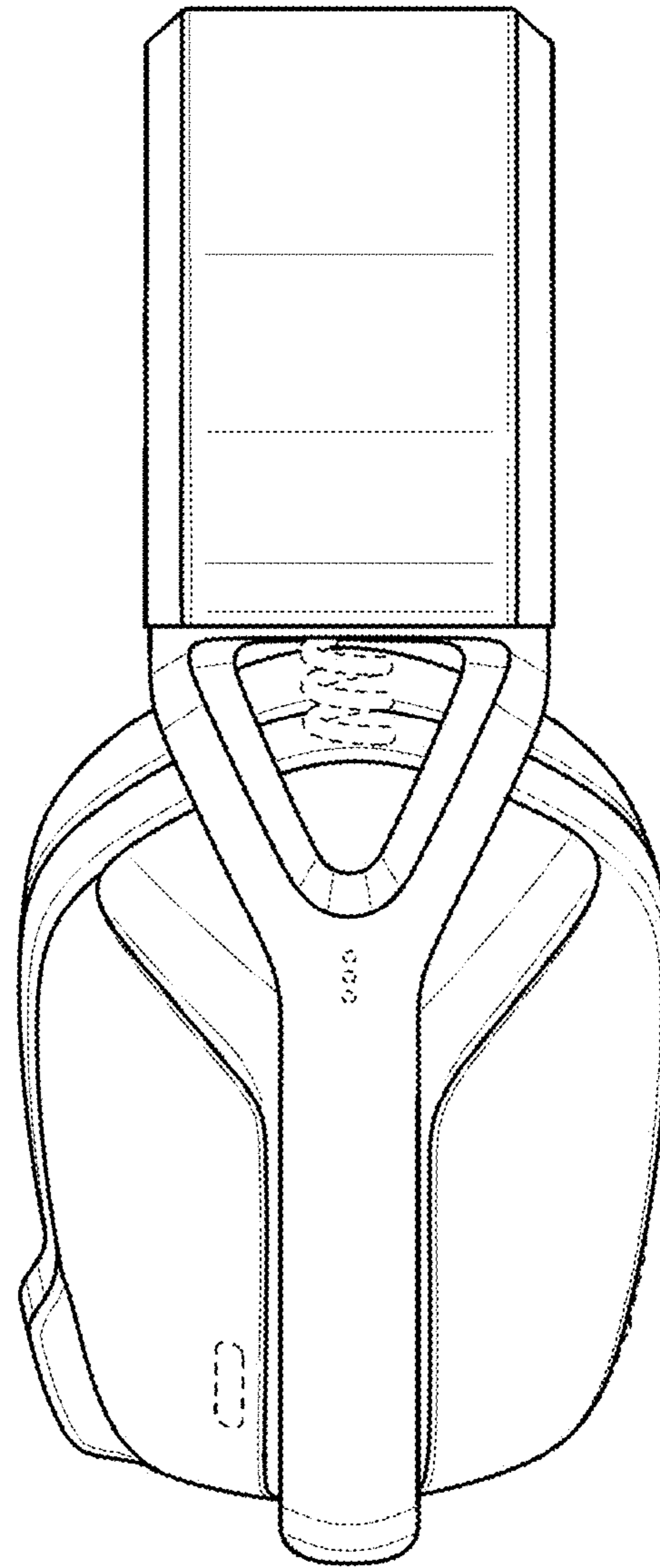


FIG. 9