

US00D973625S

(12) **United States Design Patent**  
**Yu**

(10) **Patent No.:** **US D973,625 S**  
(45) **Date of Patent:** **\*\* Dec. 27, 2022**

(54) **MULTIMEDIA DISPLAY DEVICE**

(71) Applicant: **Shenzhen Divoom Technology Co., LTD.**, Guangdong (CN)

(72) Inventor: **Chaoliang Yu**, Guangdong (CN)

(\*\*) Term: **15 Years**

(21) Appl. No.: **29/760,347**

(22) Filed: **Dec. 1, 2020**

(30) **Foreign Application Priority Data**

Jun. 3, 2020 (CN) ..... 202030271365.4

(51) **LOC (13) Cl.** ..... **14-01**

(52) **U.S. Cl.**

USPC ..... **D14/203.8**; D14/126; D6/310

(58) **Field of Classification Search**

USPC ..... D6/300, 308, 310, 311, 312, 313, 314;  
D20/21, 41, 42; D14/203.1, 203.3, 203.7,  
D14/203.8, 159, 314, 337, 447, 305, 306,  
D14/307, 315, 316, 322, 334, 335, 336,  
D14/339, 340, 356, 371, 372, 373, 374,  
D14/375, 376, 377, 378, 379, 380, 381,  
D14/382, 432, 448, 449, 450, 451, 452,  
D14/125, 126, 127, 129, 132, 133, 217,  
D14/239; D19/113, 114, 91

CPC ..... G06F 1/16; G06F 1/1601; G06F 1/1603;  
G06F 1/1605; G06F 1/1607; G06F  
1/1611; G06F 1/1616; G06F 1/1618;  
G06F 1/1622; G06F 1/1626; G06F  
1/1641; G06F 1/1643; G06F 1/1647;  
G06F 1/1649; G06F 1/1654; G06F  
1/1656; G06F 1/181; G06F 1/1684; G06F  
1/1686; G06F 1/1692; H05K 5/00; H05K  
5/03; H05K 5/0243; H05K 5/0286; H05K  
5/0239; H05K 5/02; H05K 5/0204;

(Continued)

(56) **References Cited**

**U.S. PATENT DOCUMENTS**

D610,355 S \* 2/2010 Chigira ..... D14/374  
D862,909 S \* 10/2019 Zhou ..... D14/371

(Continued)

**OTHER PUBLICATIONS**

Aluratek 8 Inch LCD Digital Photo Frame. Aluratek, amazon.com (online) 14 pages. Posted Sep. 22, 2010. [Retrieved Apr. 5, 2022] [https://www.amazon.com/dp/B00442VXCO/ref=cm\\_sw\\_em\\_r\\_mt\\_dp\\_YBX891W1HKPVZ2PZ7AKN?\\_encoding=UTF8&psc=1](https://www.amazon.com/dp/B00442VXCO/ref=cm_sw_em_r_mt_dp_YBX891W1HKPVZ2PZ7AKN?_encoding=UTF8&psc=1) (Year: 2010).\*

(Continued)

*Primary Examiner* — Kathleen L Jones

*Assistant Examiner* — Cole Sanders Holman

(74) *Attorney, Agent, or Firm* — Eugenio J. Torres-Oyola; Victor M. Rodriguez-Reyes; Ferraiuoli LLC

(57) **CLAIM**

The ornamental design for a multimedia display device, as shown and described.

**DESCRIPTION**

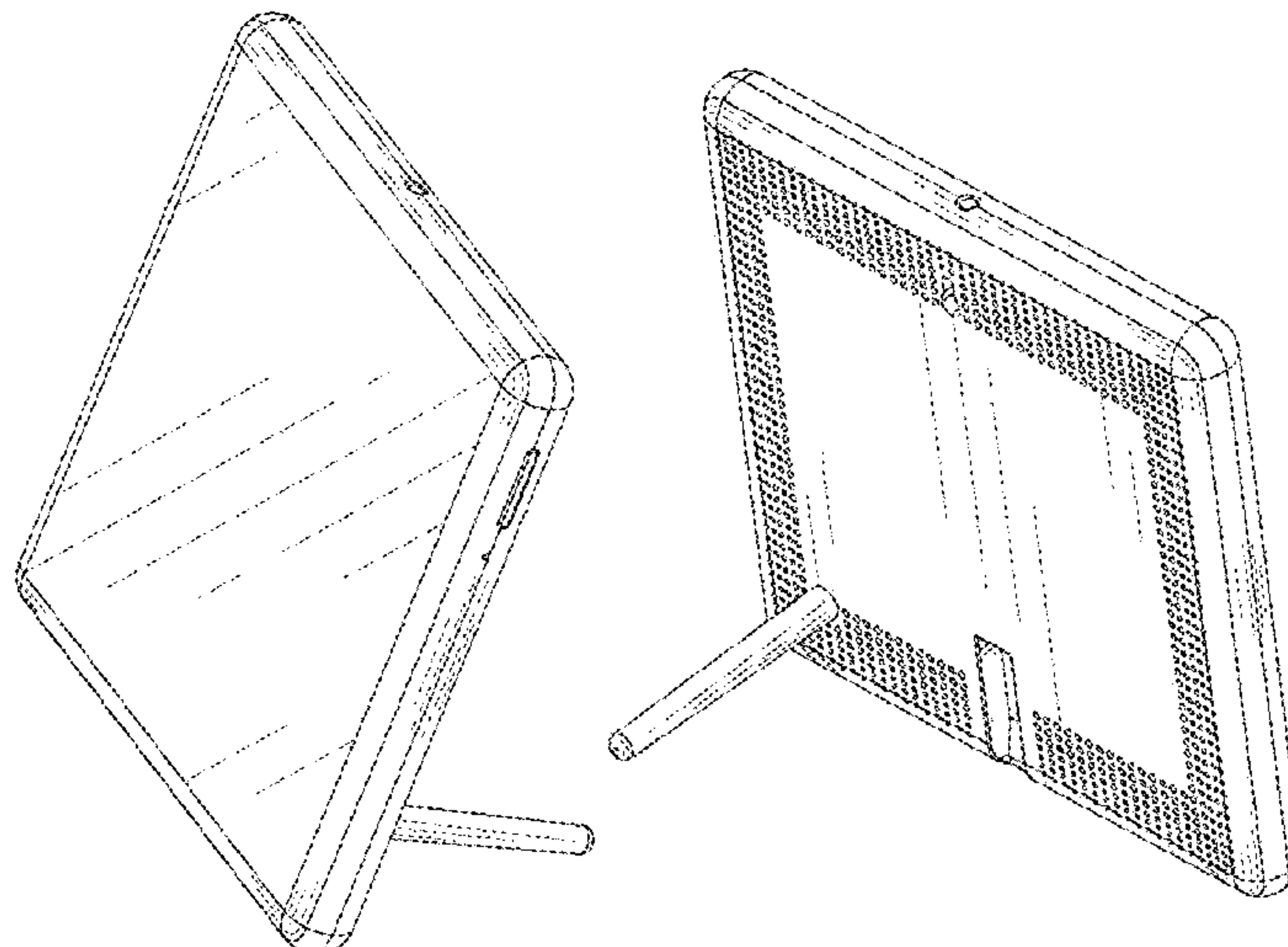
FIG. 1 is a front perspective view of a multimedia display device of the present invention;  
FIG. 2 is a rear perspective view thereof;  
FIG. 3 is a front elevational view thereof;  
FIG. 4 is a rear elevational view thereof;  
FIG. 5 is a left-side elevational view thereof;  
FIG. 6 is a right-side elevational view thereof;  
FIG. 7 is a top plan view thereof; and,  
FIG. 8 is a bottom plan view thereof.

The shade lines shown in the drawings indicate the character and contour of surfaces represented and should not be confused as surface ornamentation.

The surface adjacent the broken line edge in FIG. 8 forms no part of the claimed design.

The dashed broken lines in the figures depict portions of the multimedia display device that form no part of the claimed design.

**1 Claim, 8 Drawing Sheets**



(58) **Field of Classification Search**

CPC .. H05K 5/0217; H05K 5/0247; H05K 5/0234;  
H05K 5/0213; H04N 5/64; H04N 5/645  
See application file for complete search history.

(56) **References Cited**

U.S. PATENT DOCUMENTS

D884,367 S \* 5/2020 Gao ..... D14/371  
D891,124 S \* 7/2020 Zhou ..... D6/310  
D901,192 S \* 11/2020 Wang ..... D14/371  
D905,974 S \* 12/2020 Chen ..... D14/341  
11,294,430 B1 \* 4/2022 Bristol ..... G06F 1/1607  
2008/0297438 A1 \* 12/2008 Lin ..... A47G 1/142  
345/30  
2019/0075664 A1 \* 3/2019 Sisson ..... H05K 5/0204  
2021/0048858 A1 \* 2/2021 Palfreeman ..... F16M 13/02

OTHER PUBLICATIONS

Divoom Pixoo-Max Pixel Display. Divoom, amazon.com (online)  
14 pages. Posted Jul. 16, 2020. [Retrieved Apr. 5, 2022] [https://www.amazon.com/dp/B08D2Z2N87/ref=cm\\_sw\\_em\\_r\\_mt\\_dp\\_MHHA4BM1SHKHY4G1HE0Y](https://www.amazon.com/dp/B08D2Z2N87/ref=cm_sw_em_r_mt_dp_MHHA4BM1SHKHY4G1HE0Y) (Year: 2020).\*

Chen Jiangping, CN Design No. 305645366, published at Orbit,  
publication date Mar. 17, 2020. Site visited Apr. 5, 2022. Available  
from internet. (Year: 2020).\*

Chen Jiangping, US Design No. D0905974, published at Orbit,  
publication date Dec. 29, 2020. Site visited Apr. 5, 2022. Available  
from internet. (Year: 2020).\*

\* cited by examiner

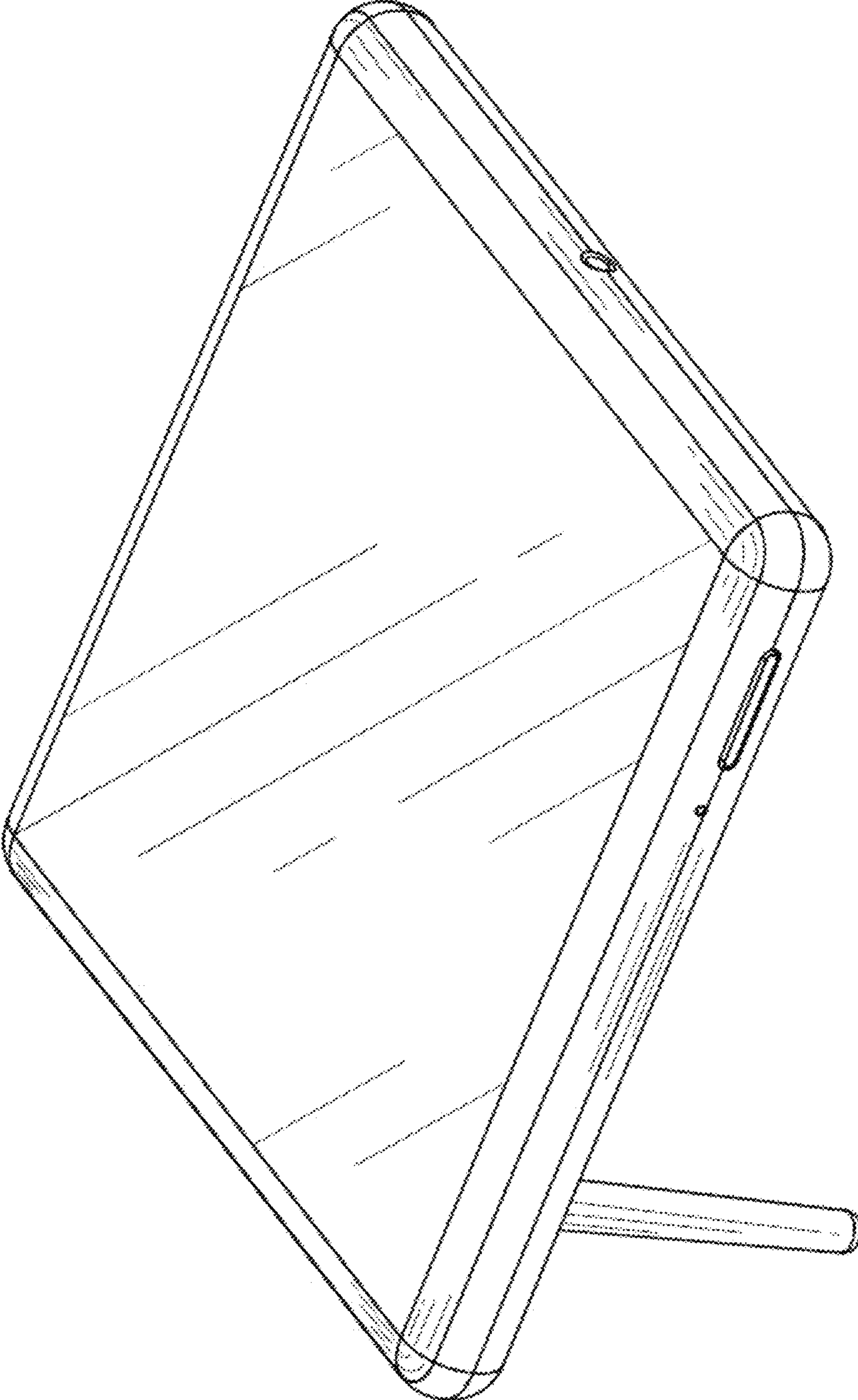


FIG. 1



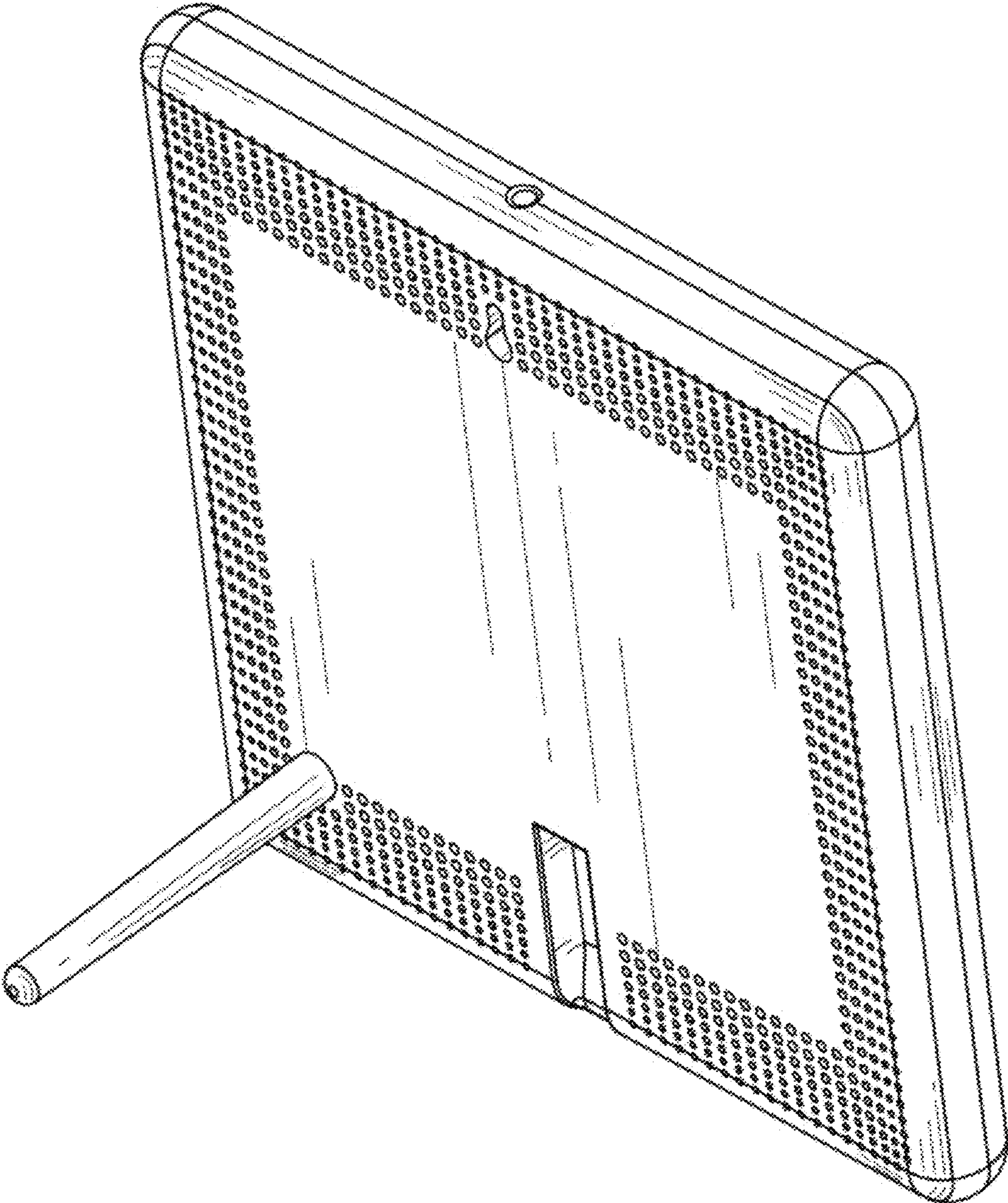


FIG. 2

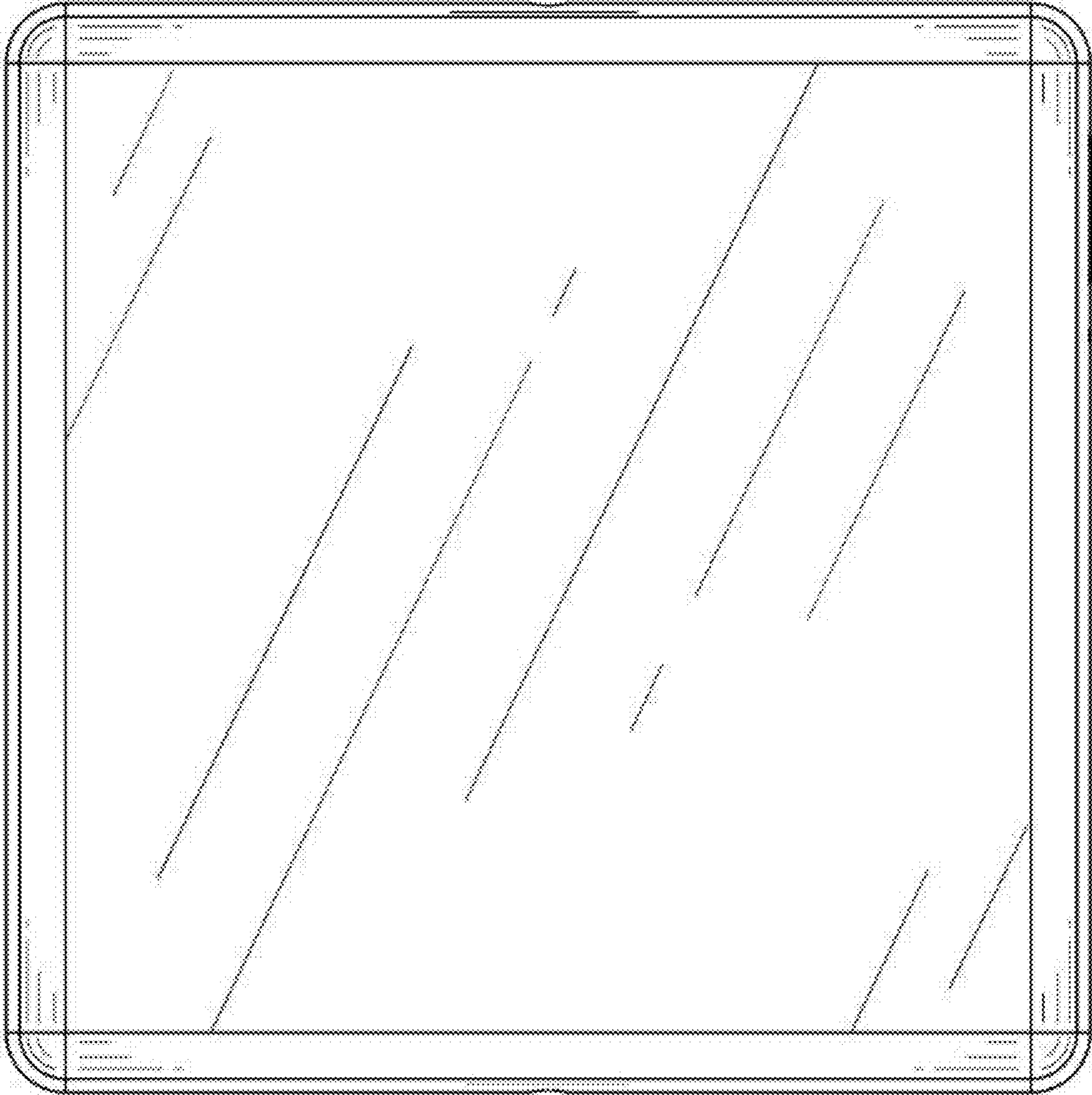


FIG. 3



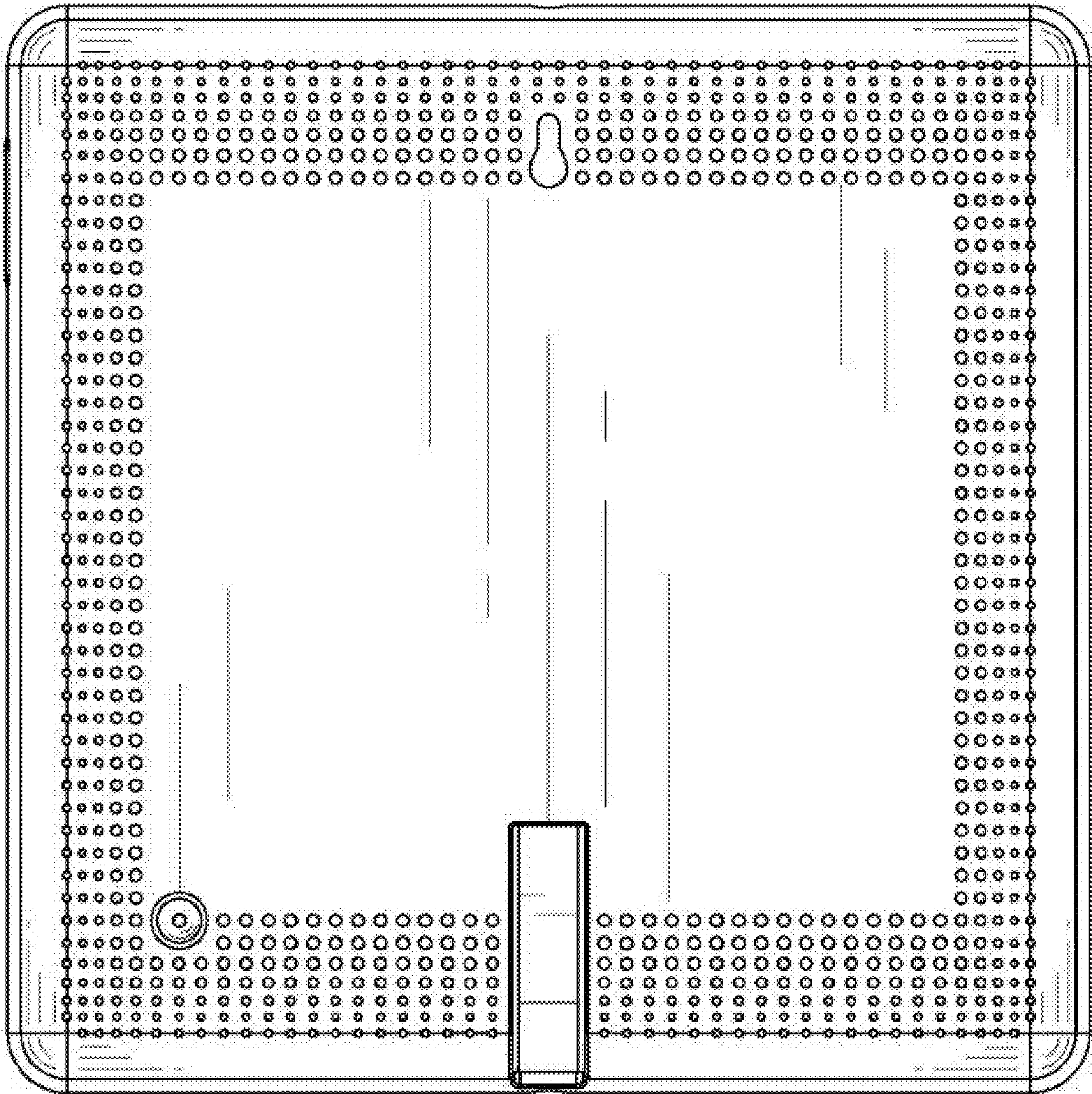


FIG. 4

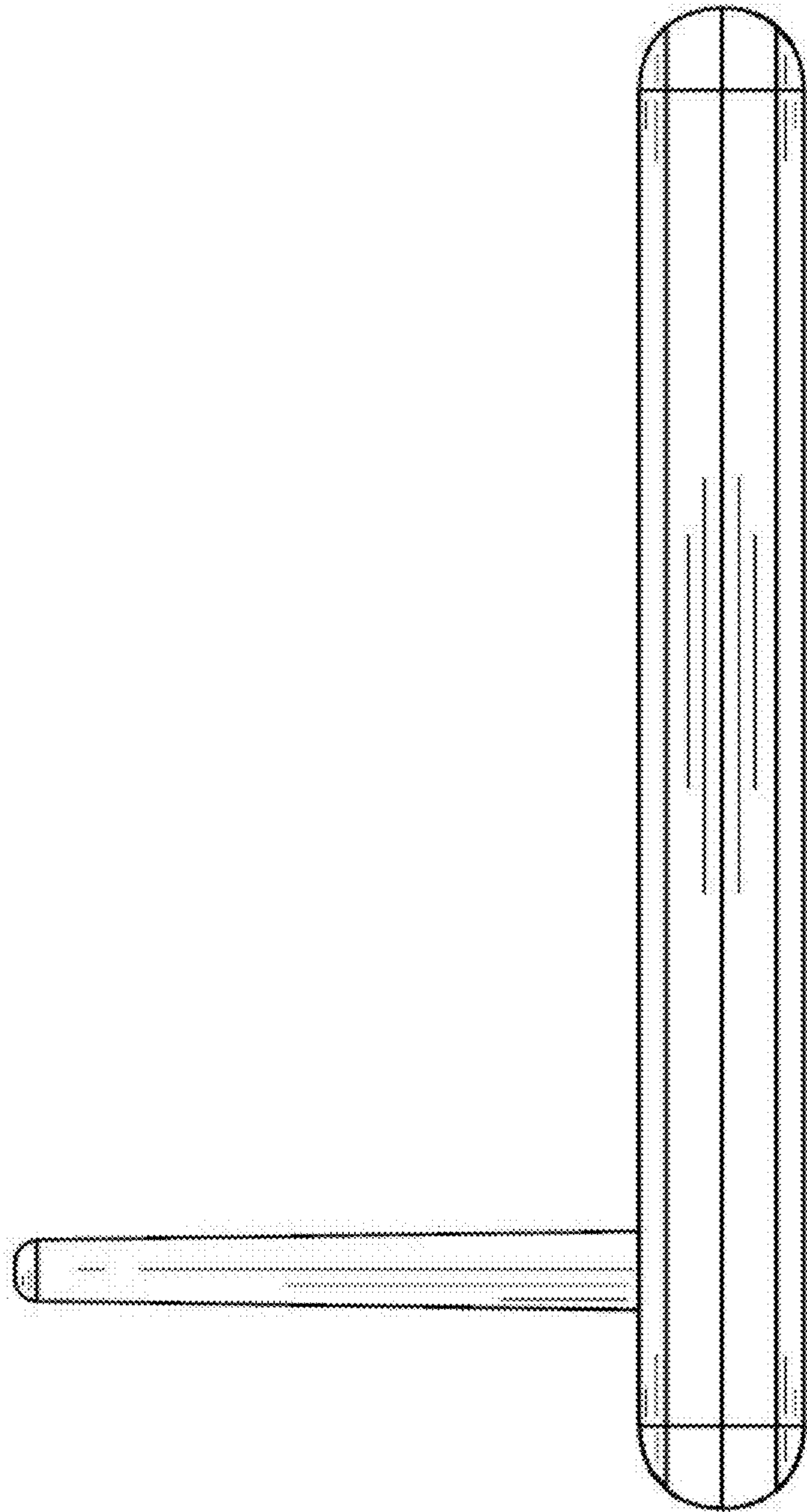


FIG. 5

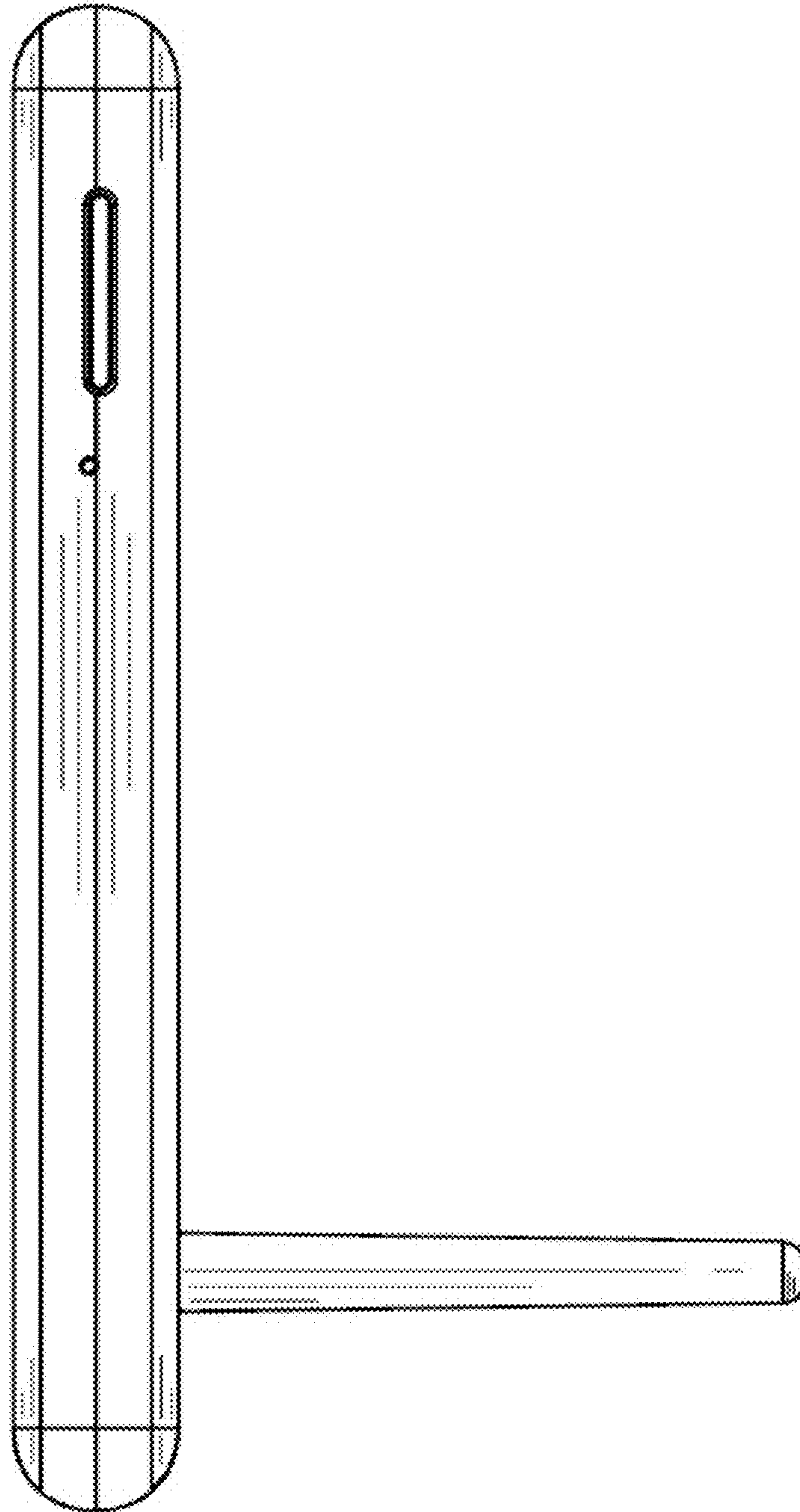


FIG. 6



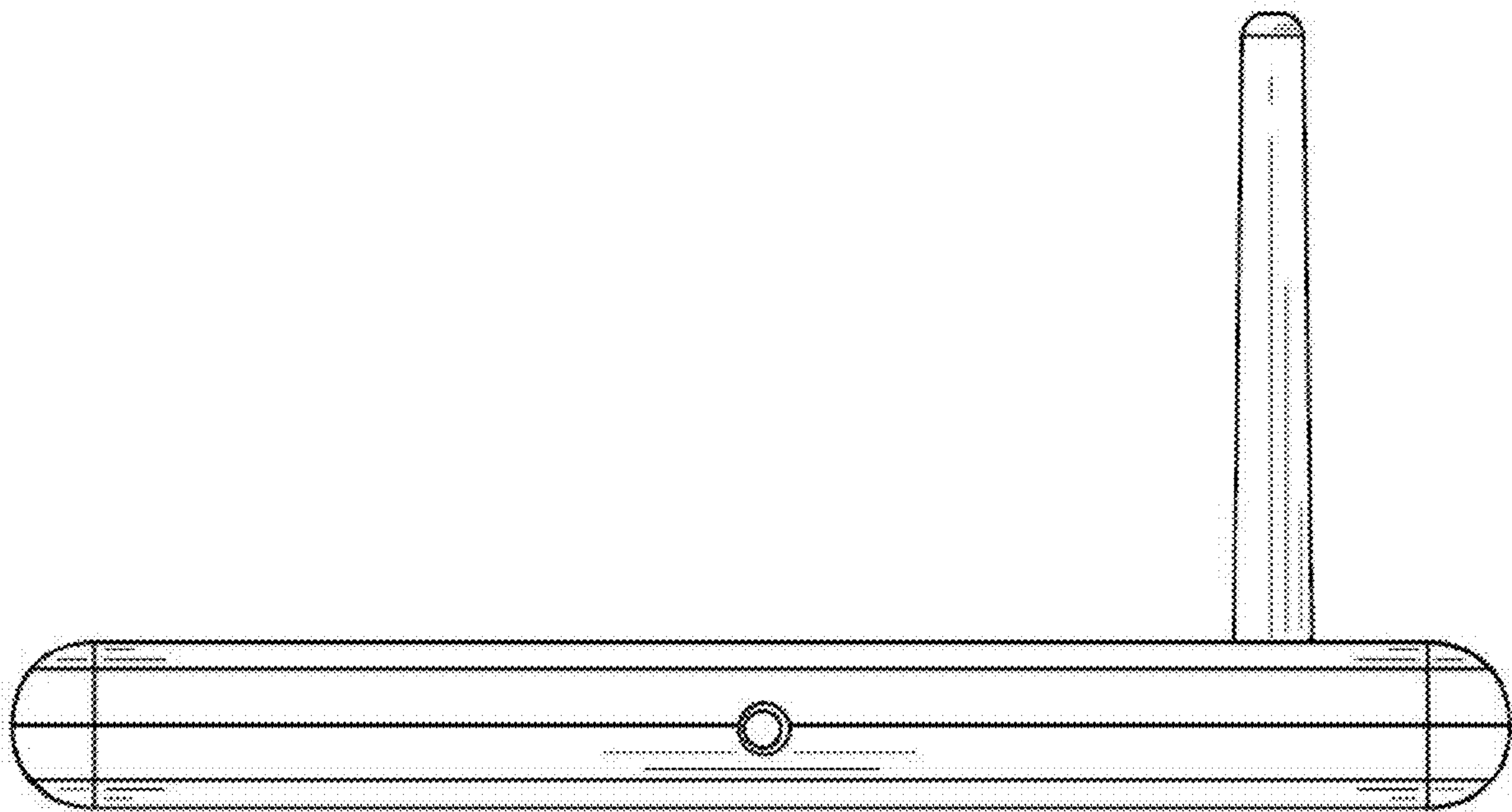


FIG. 7

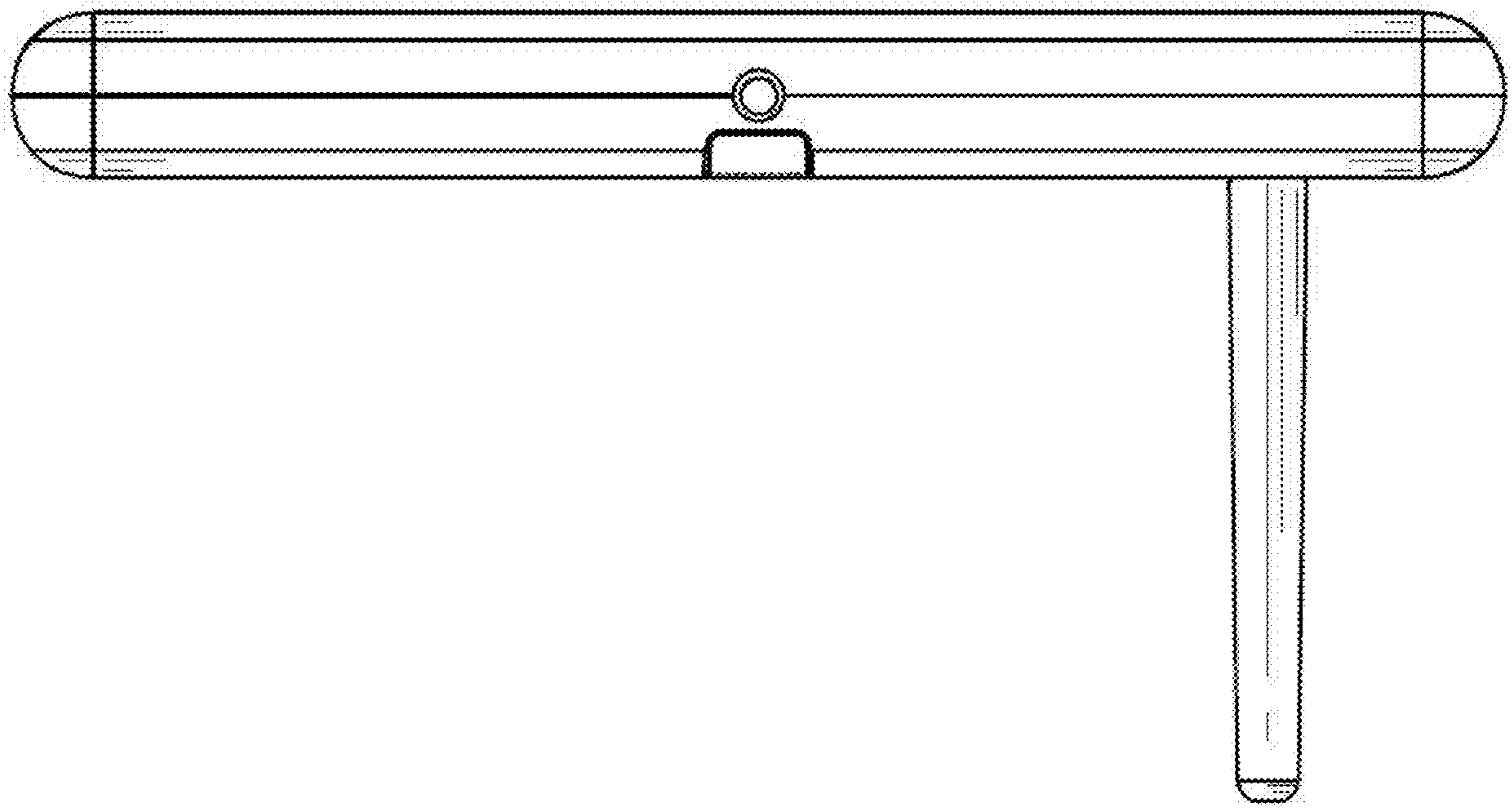


FIG. 8