



US00D973624S

(12) **United States Design Patent** (10) **Patent No.:** **US D973,624 S**
Bhagavatula et al. (45) **Date of Patent:** **** Dec. 27, 2022**

(54) **MUSIC PLAYER**

(56) **References Cited**

(71) Applicant: **Denogal LLC**, Yorba Linda, CA (US)

U.S. PATENT DOCUMENTS

(72) Inventors: **Ravi S. Bhagavatula**, Yorba Linda, CA (US); **Srikar Sai Kolluri**, Yorba Linda, CA (US)

D183,999 S *	12/1958	Bodlt	D14/193
D234,536 S *	3/1975	Taguchi	D14/196
D339,584 S *	9/1993	Miyai	D14/499
D340,243 S *	10/1993	Yuen	D14/171
D540,298 S *	4/2007	Amid-Hozour	D14/188
D552,594 S *	10/2007	Bhavnani	D14/196
D572,235 S *	7/2008	Imawaki	D14/207
D658,628 S *	5/2012	Hahner	D14/196
D692,848 S *	11/2013	Poandl	D14/172
D692,855 S *	11/2013	Hawes	D14/209.1
D728,515 S *	5/2015	Lee	D14/209.1
D886,792 S *	6/2020	Kouthoofd	D14/204
D903,628 S *	12/2020	Zeng	D14/204

(73) Assignee: **DENOGAL LLC**, Yorba Linda, CA (US)

(**) Term: **15 Years**

(21) Appl. No.: **29/721,704**

* cited by examiner

(22) Filed: **Jan. 22, 2020**

(51) **LOC (13) Cl.** **14-03**

Primary Examiner — Ramzi Almatrahi

(52) **U.S. Cl.**
USPC **D14/196**

(74) *Attorney, Agent, or Firm* — Snell & Wilmer LLP

(58) **Field of Classification Search**
USPC D14/125, 167, 168, 170–172, 188, 193, D14/196, 203.1, 203.2, 203.3, 203.4, D14/203.5, 203.6, 203.7, 203.8, 204, D14/209.1, 210–217, 219, 221, 222, 224, D14/226, 240, 348, 433, 496–505; D16/207, 210, 218

(57) **CLAIM**

We claim the ornamental design for a music player, as shown and described.

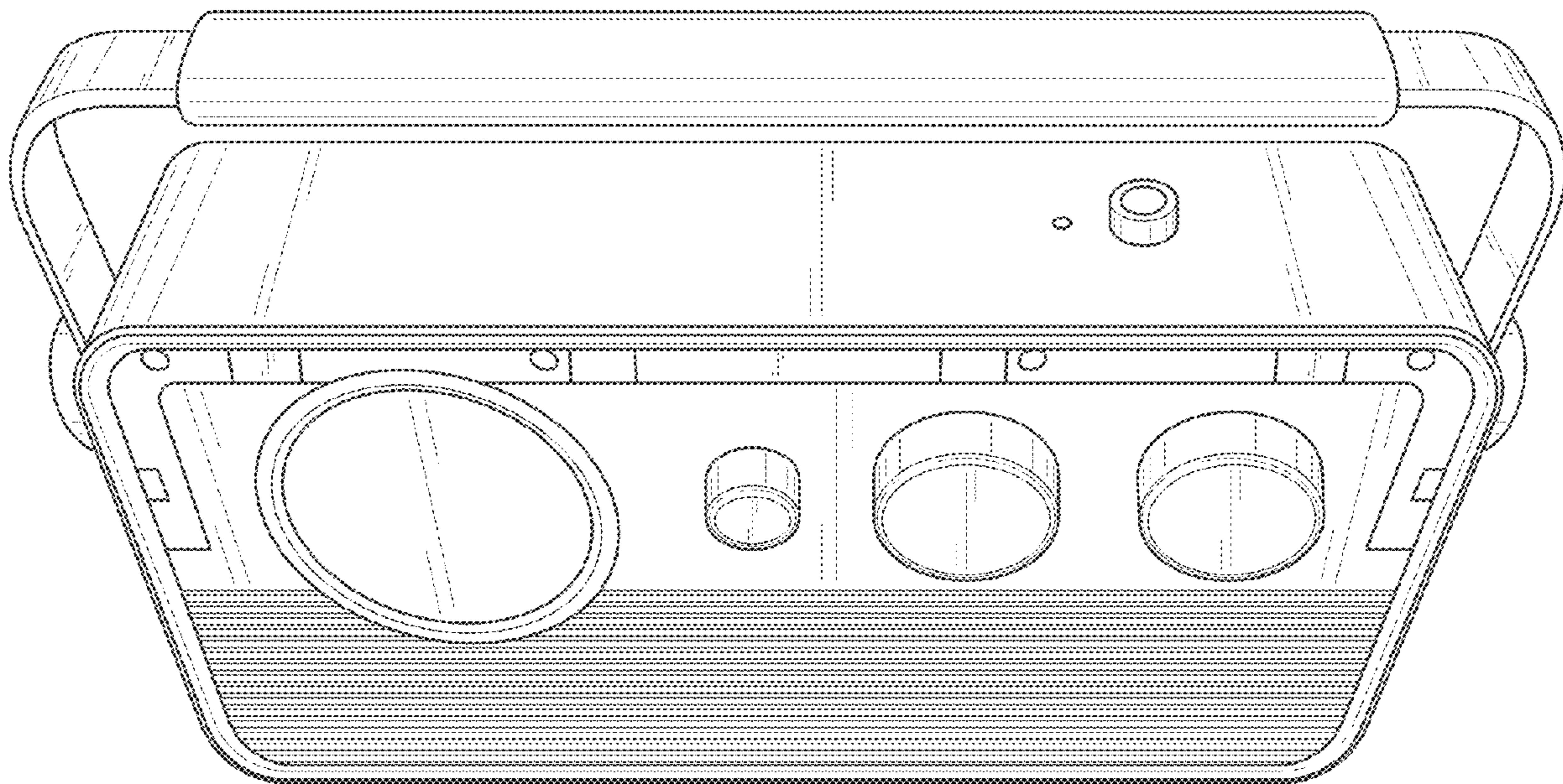
CPC B60R 11/0217; G06F 1/1688; G10K 9/22; G10K 11/004; H04R 1/02; H04R 1/021; H04R 1/023; H04R 1/025; H04R 1/026; H04R 1/028; H04R 1/323; H04R 1/403; H04R 1/2803; H04R 1/2834; H04R 5/00; H04R 5/02; H04R 9/06; H04R 2420/07; H04R 2201/021; H04R 2400/00; H04S 3/00; H04S 7/30

DESCRIPTION

FIG. 1 is a front perspective view of a music player, showing our new design;
FIG. 2 is a front elevation view thereof;
FIG. 3 is a rear elevation view thereof;
FIG. 4 is a left side elevation view thereof;
FIG. 5 is a right side elevation view thereof;
FIG. 6 is a top plan view thereof; and,
FIG. 7 is a bottom plan view thereof.
In the drawings, the dot-dash-dot lines illustrate the bounds of the claim and form no part thereof.

See application file for complete search history.

1 Claim, 5 Drawing Sheets



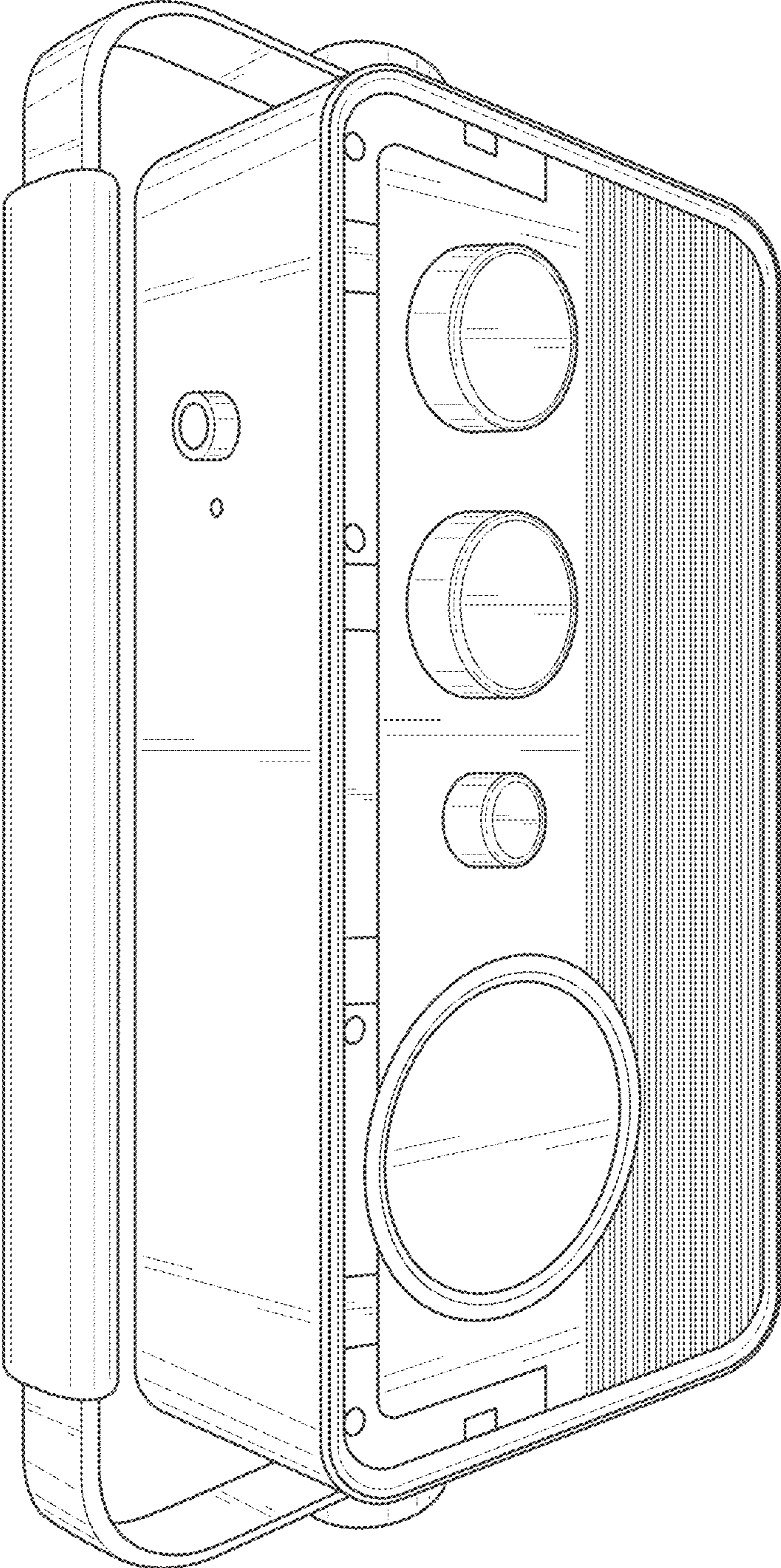


FIG. 1

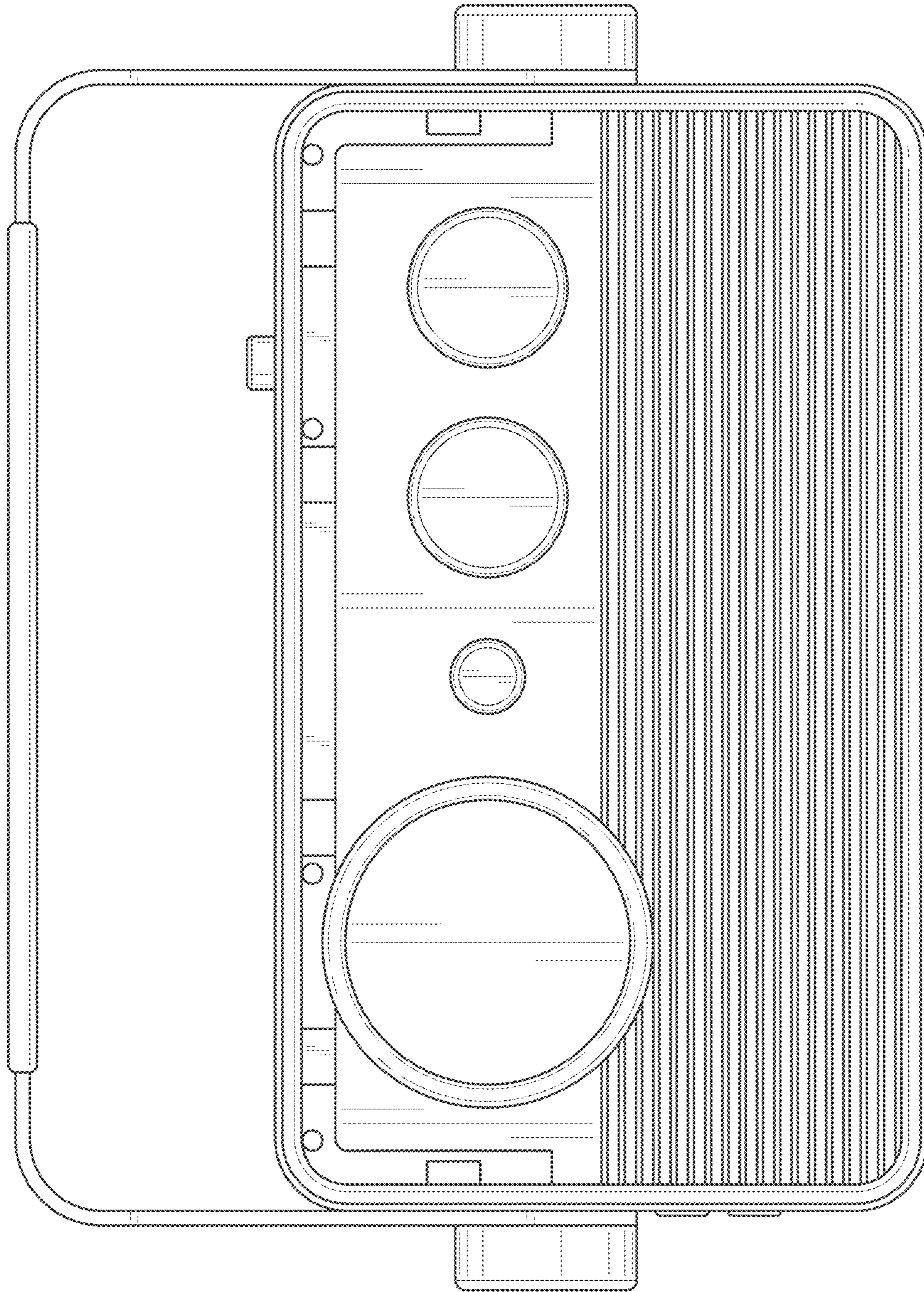


FIG. 2

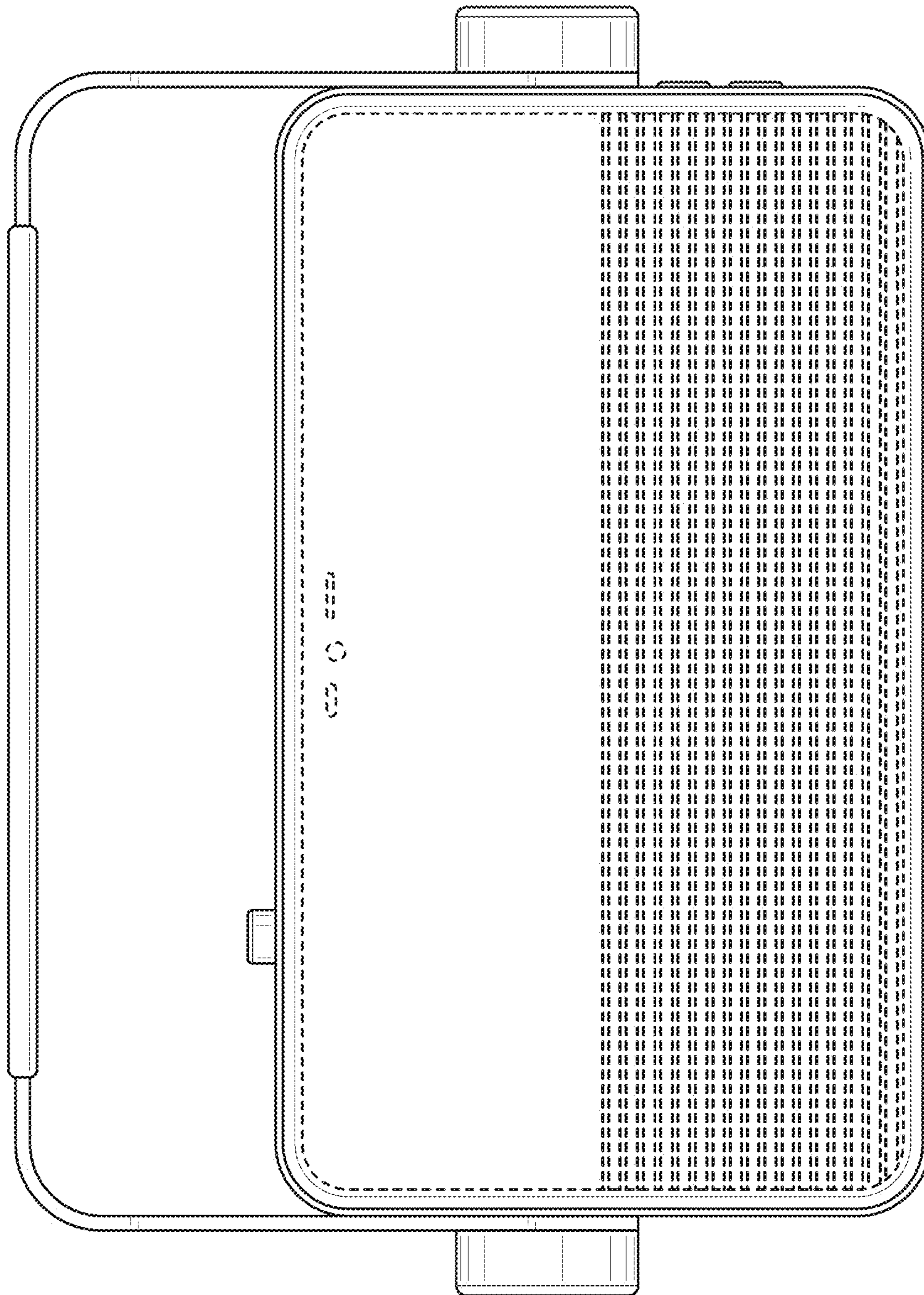


FIG. 3

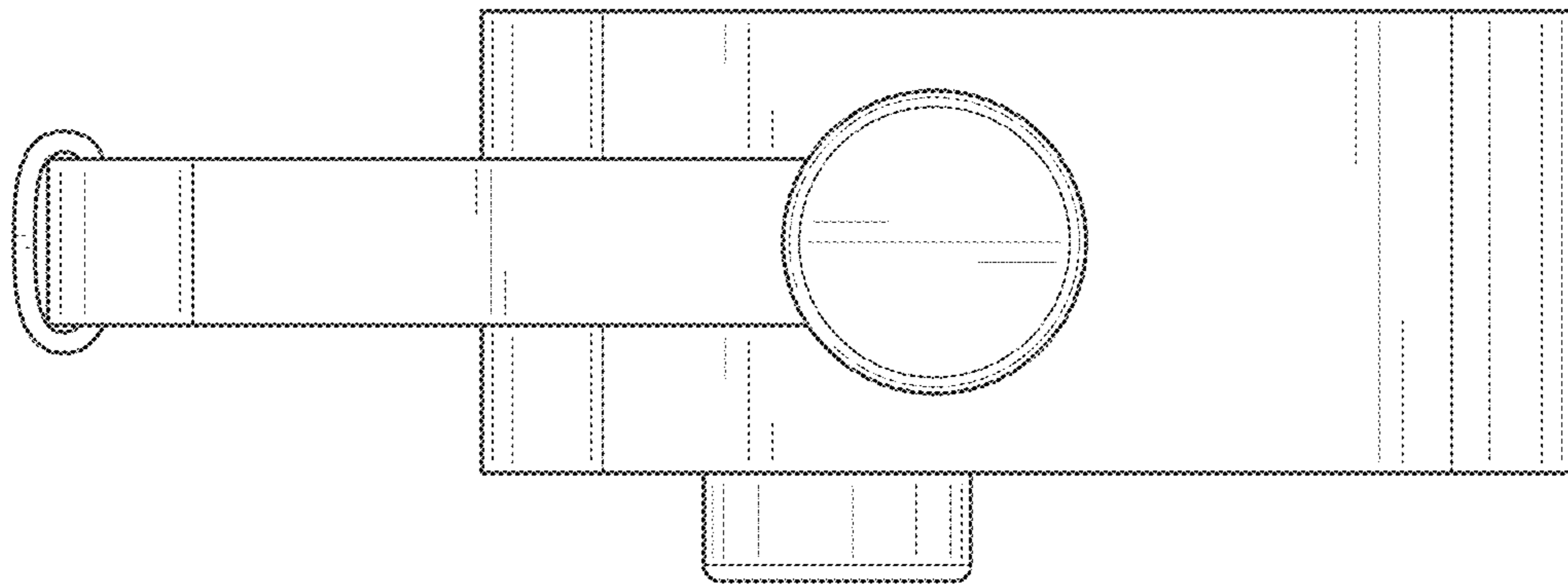


FIG. 5

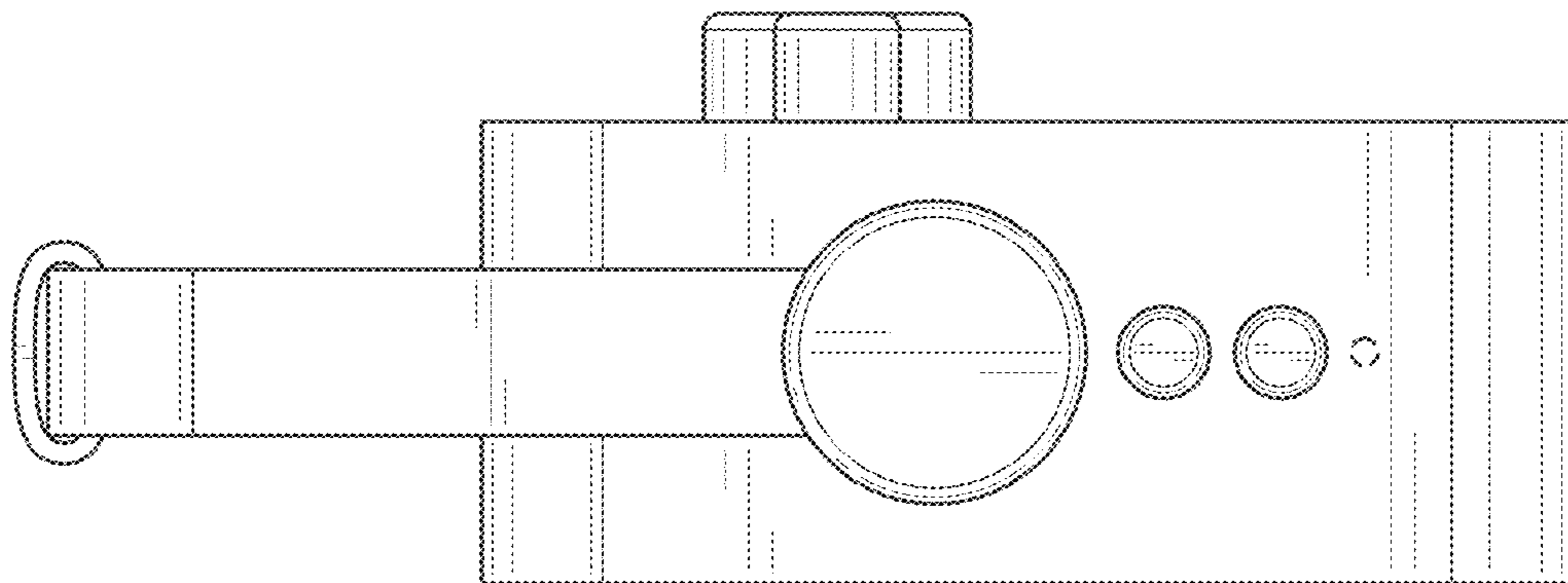


FIG. 4

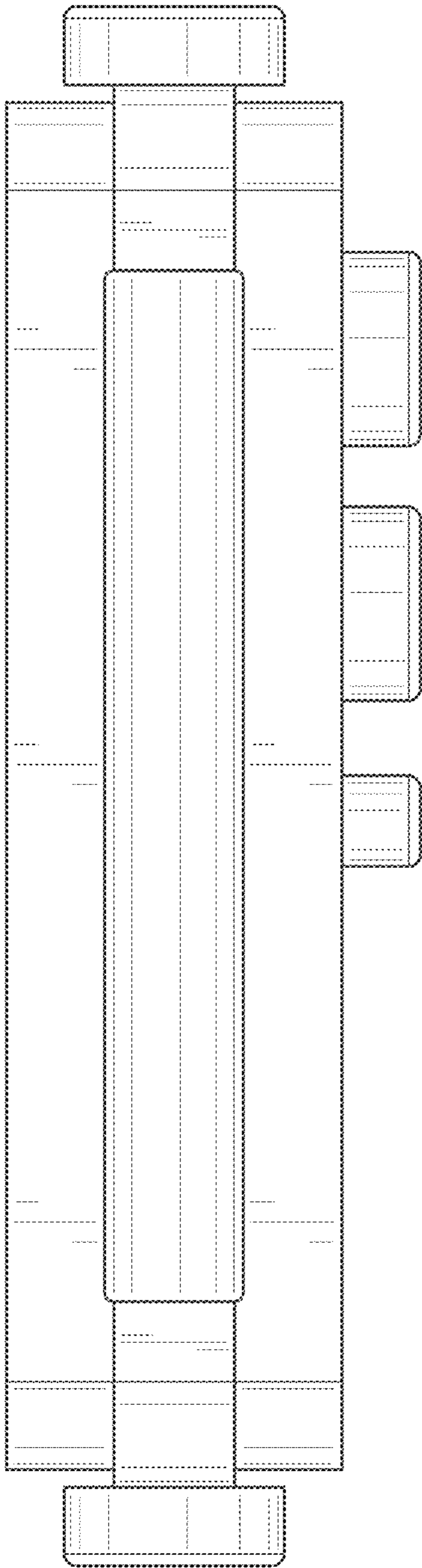


FIG. 6

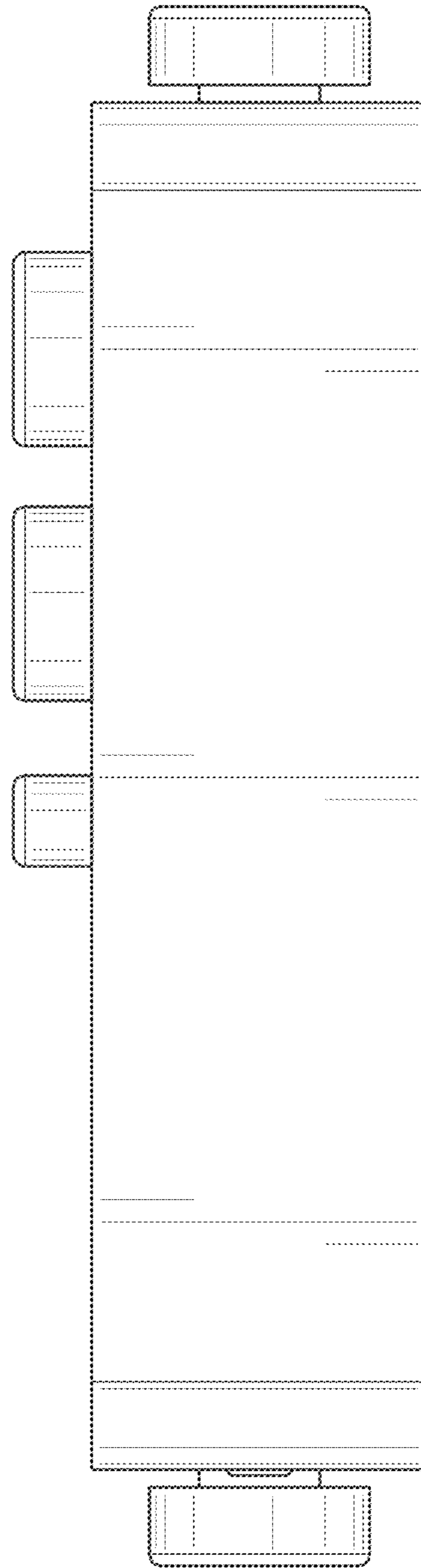


FIG. 7