



US00D973619S

(12) **United States Design Patent**
Hong et al.

(10) **Patent No.:** **US D973,619 S**
(45) **Date of Patent:** **** Dec. 27, 2022**

(54) **MOBILE PHONE**

(71) Applicant: **LG ELECTRONICS INC.**, Seoul (KR)

(72) Inventors: **Jangwoo Hong**, Seoul (KR); **Jaeyoung Han**, Seoul (KR); **Kwanghyun Ahn**, Seoul (KR); **Yongho Lee**, Seoul (KR); **Youngwook Sohn**, Seoul (KR)

(73) Assignee: **LG ELECTRONICS INC.**, Seoul (KR)

(**) Term: **15 Years**

(21) Appl. No.: **29/749,046**

(22) Filed: **Sep. 2, 2020**

(30) **Foreign Application Priority Data**

Mar. 27, 2020 (KR) 30-2020-0013854

(51) **LOC (13) Cl.** **14-03**

(52) **U.S. Cl.**
USPC **D14/138 AD**

(58) **Field of Classification Search**
USPC D14/138 AA, 138 AB, 138 AC, 138 AD, D14/138 C, 138 R, 138 G, 214, 248, 250, D14/330, 341, 345-347, 426
CPC ... G06F 1/1652; H04M 1/027; H04M 1/0202; H04M 1/0279; H04M 1/0235; H04M 1/0237; H04M 1/0239; H04M 1/0266; H04M 1/0268; H04M 1/0295

See application file for complete search history.

(56) **References Cited**

U.S. PATENT DOCUMENTS

D370,213 S * 5/1996 Iwamoto D14/387
D631,458 S * 1/2011 Liao D14/138 G
D654,466 S * 2/2012 Duan D14/138 AB
D712,401 S * 9/2014 Lee D14/341
D716,253 S * 10/2014 Lee D14/138 G

D801,294 S * 10/2017 Kim D14/138 G
D890,714 S * 7/2020 Ma D14/138 AB
10,936,017 B1 * 3/2021 Choi G06F 1/1643

(Continued)

OTHER PUBLICATIONS

TCL debuts concept smartphone with flexible roll-out display _ VentureBeat, first available Mar. 5, 2020 [online], retrieved Apr. 6, 2022, available at URL: <https://venturebeat.com/2020/03/05/tcl-debuts-concept-smartphone-with-flexible-roll-out-display/> (Year: 2020).*

Primary Examiner — Wendy L Arminio

Assistant Examiner — Carrie S Gelula

(74) *Attorney, Agent, or Firm* — Birch, Stewart, Kolasch & Birch, LLP

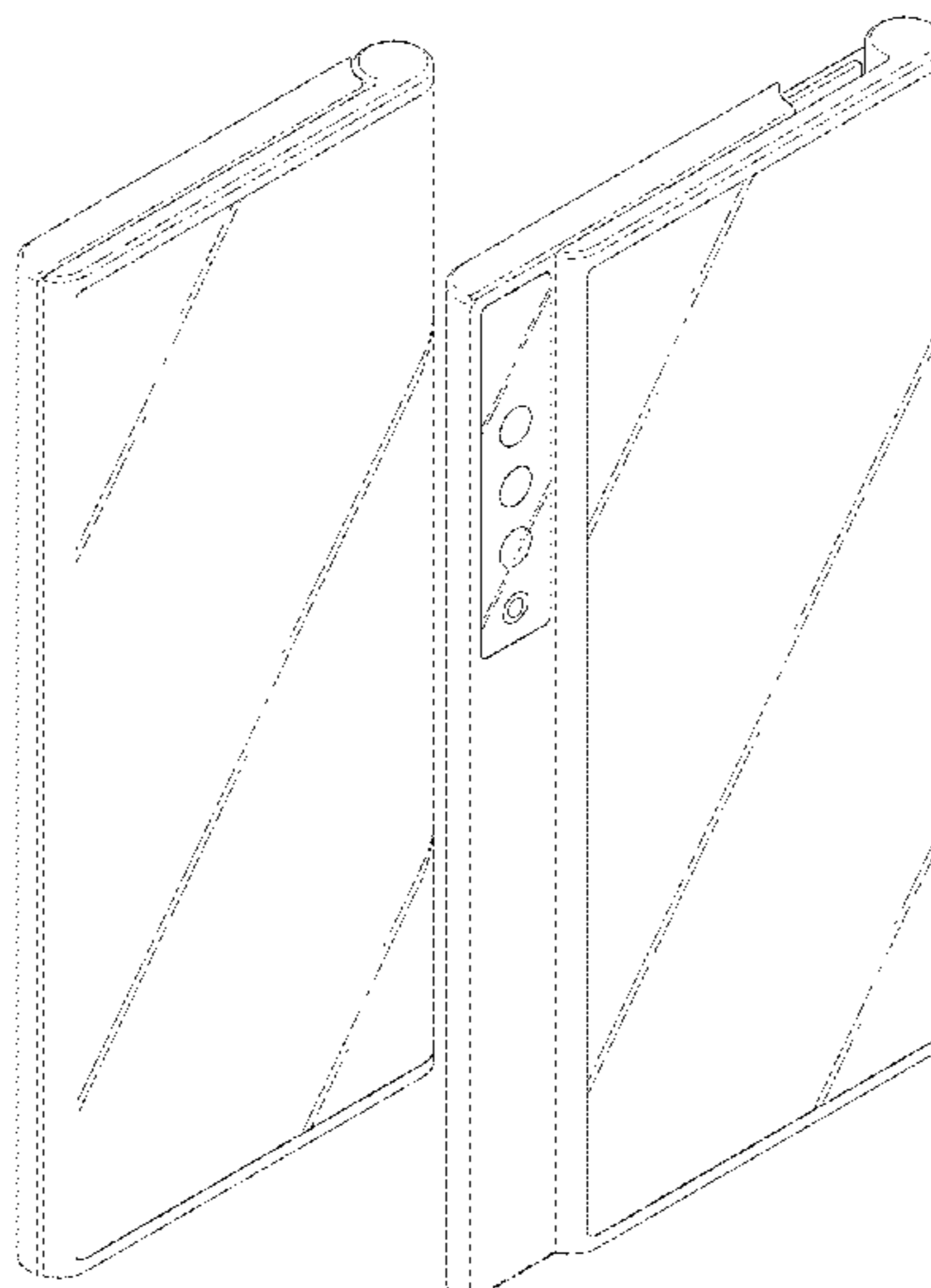
(57) **CLAIM**

The ornamental design for a mobile phone, as shown and described.

DESCRIPTION

FIG. 1 is a front perspective view of the mobile phone showing our new design;
FIG. 2 is a front view thereof;
FIG. 3 is a back view thereof;
FIG. 4 is a left side view thereof;
FIG. 5 is a right side view thereof;
FIG. 6 is a top plan view thereof;
FIG. 7 is a bottom plan view thereof;
FIG. 8 is a front perspective view in a condition that the claimed design has been expanded;
FIG. 9 is a front view of FIG. 8;
FIG. 10 is a back view of FIG. 8;
FIG. 11 is a left side view of FIG. 8;
FIG. 12 is a right side view of FIG. 8;
FIG. 13 is a top plan view of FIG. 8; and
FIG. 14 is a bottom plan view of FIG. 8.
The broken lines depict portions of the mobile phone that form no part of the claimed design.

1 Claim, 14 Drawing Sheets



(56)

References Cited

U.S. PATENT DOCUMENTS

D915,334 S * 4/2021 Lee D14/138 AD
D915,336 S * 4/2021 Lee D14/138 AD
D921,601 S * 6/2021 Lee D14/138 AB
D923,598 S * 6/2021 Lee H04M 1/0268
D14/138 AD
D923,620 S * 6/2021 Kim D14/342
D926,718 S * 8/2021 Lee G06F 1/1624
D14/138 AD
D928,108 S * 8/2021 Huang D14/138 AB
D930,609 S * 9/2021 Chen D14/138 AB
D933,625 S * 10/2021 Lee D14/138 AD
D936,626 S * 11/2021 Lee D14/341
D940,677 S * 1/2022 Min D14/138 AD
D940,680 S * 1/2022 Lee D14/138 AD
2021/0336356 A1 * 10/2021 Choi H01Q 1/243

* cited by examiner

FIG. 1

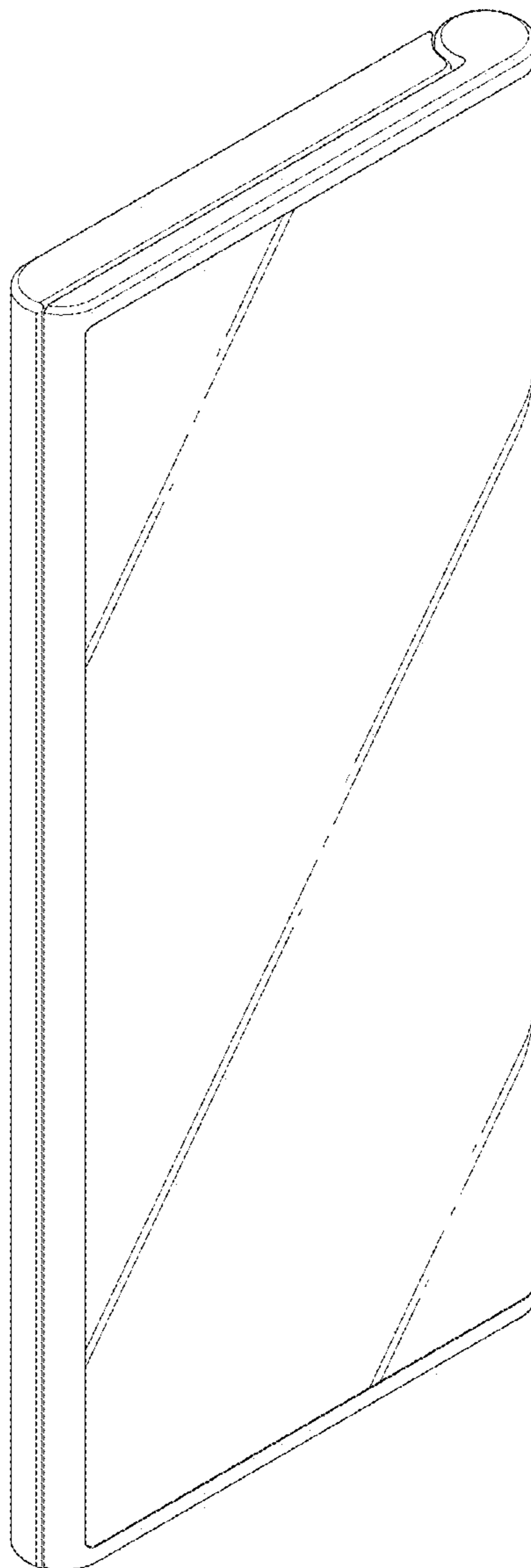


FIG. 2

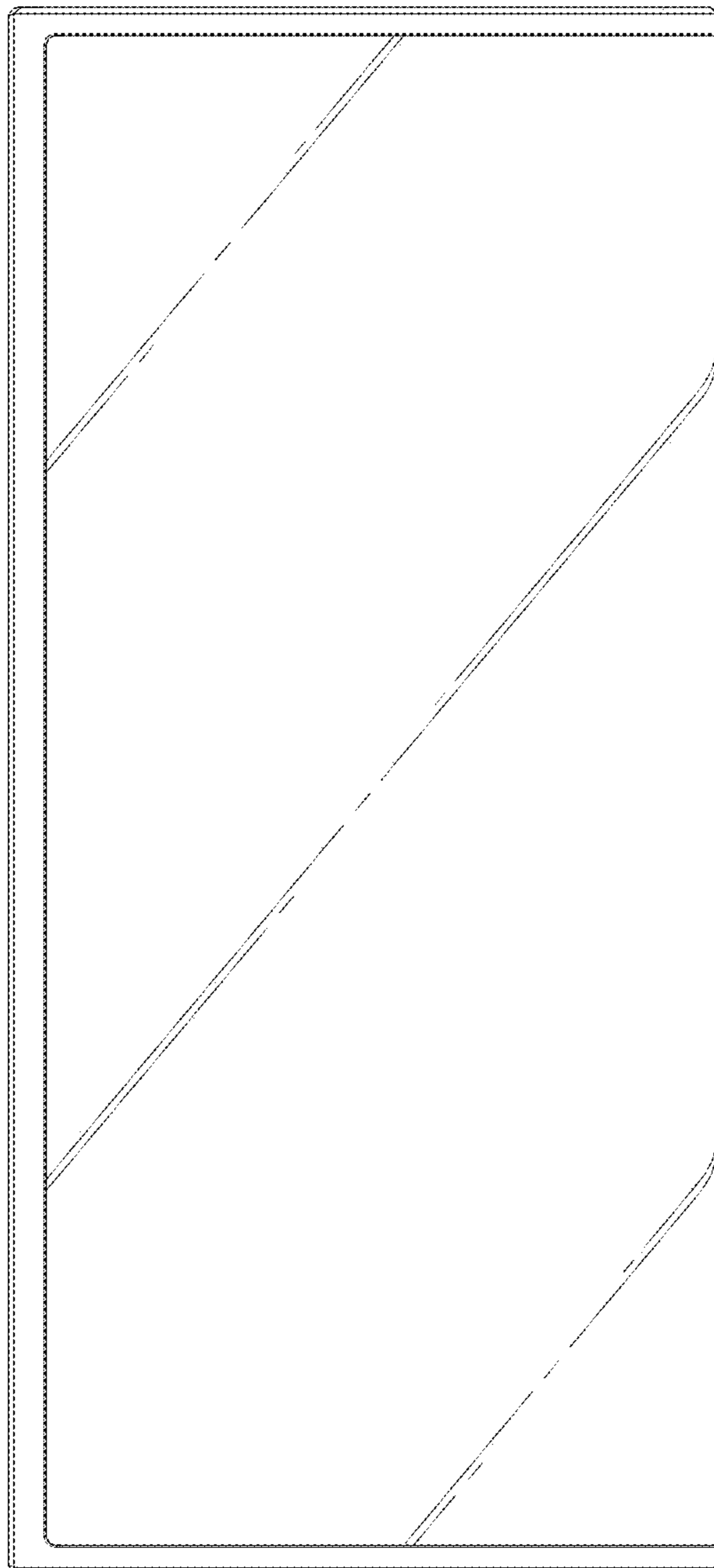


FIG. 3

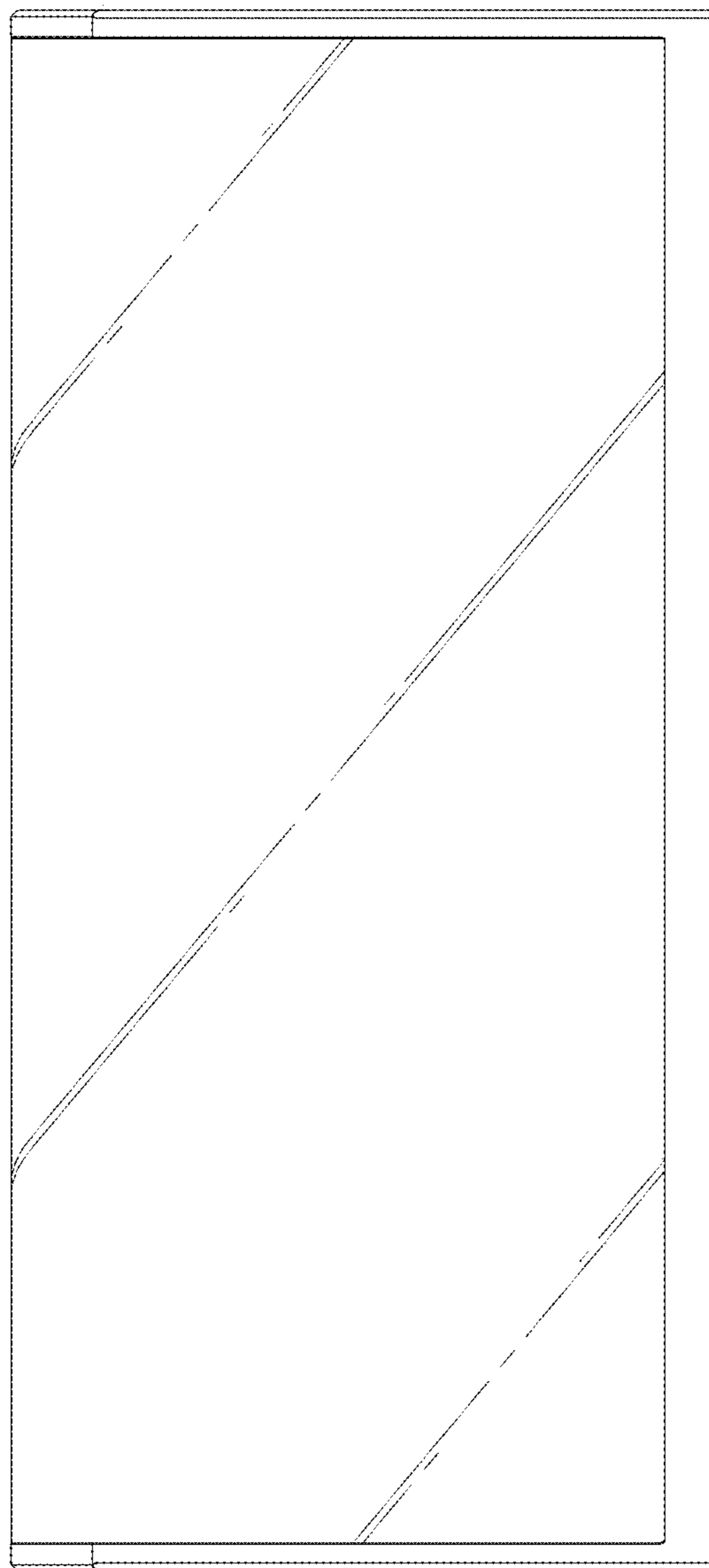


FIG. 4

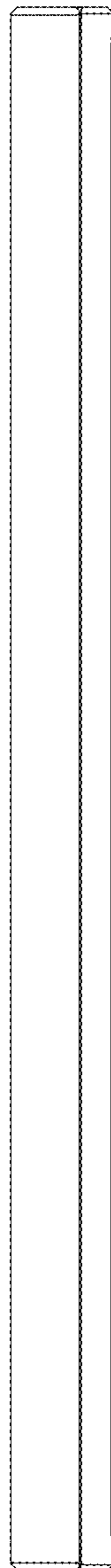


FIG. 5

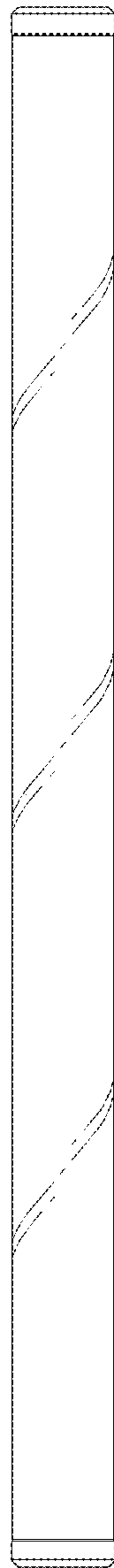


FIG. 6

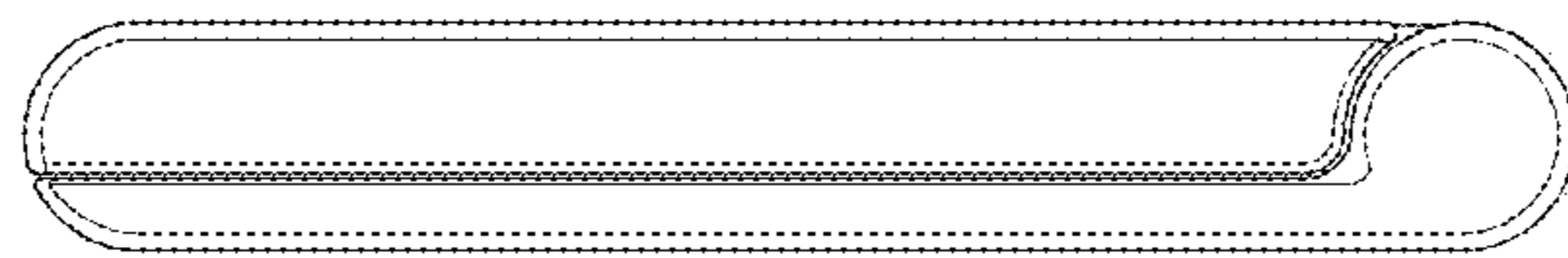


FIG. 7

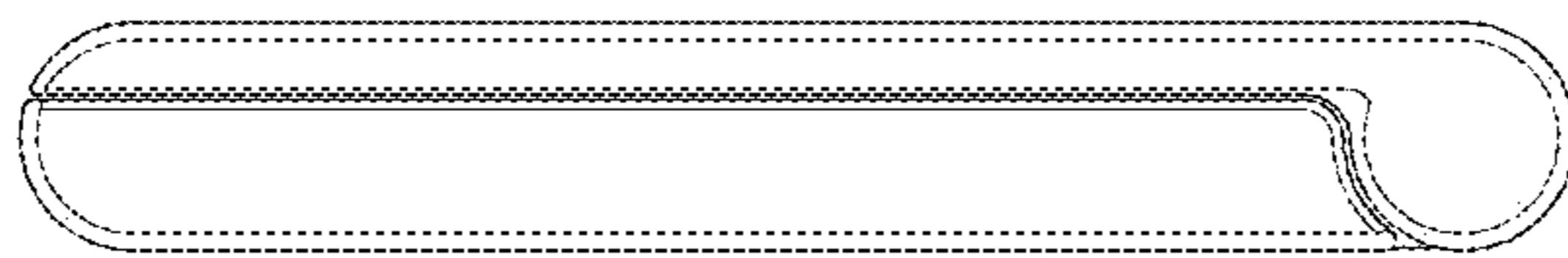


FIG. 8

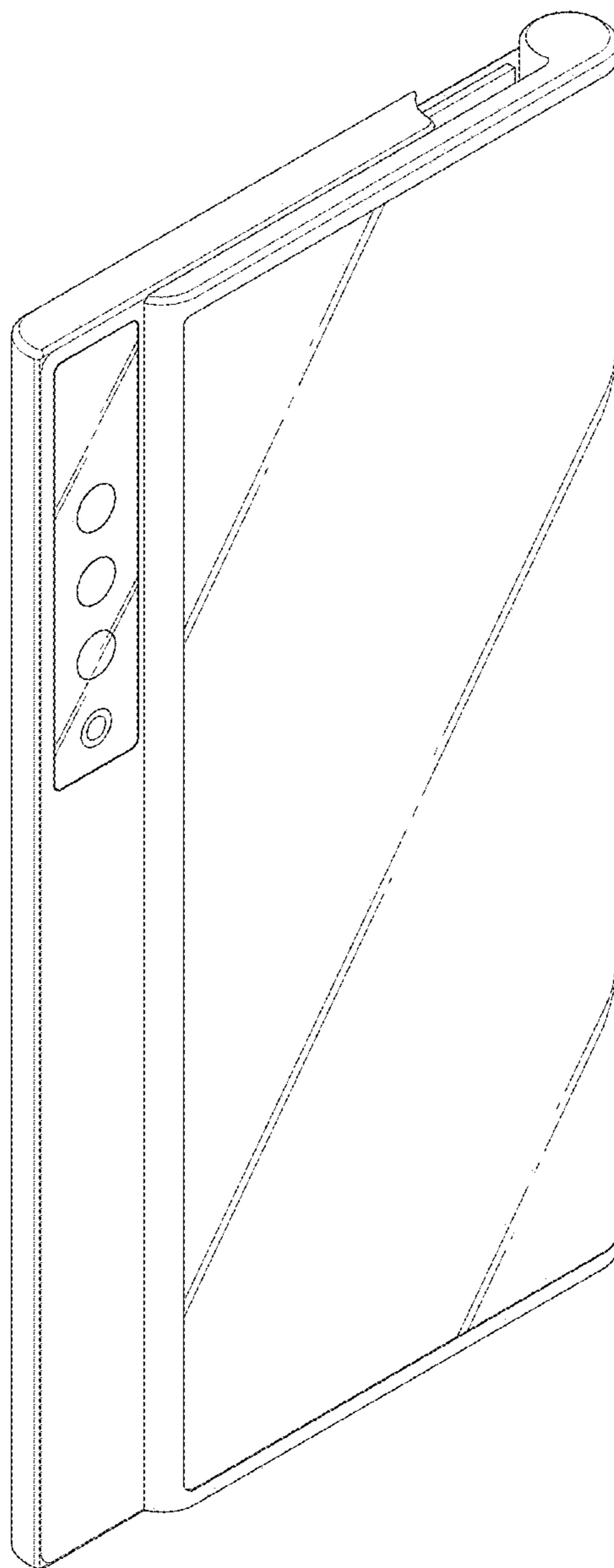


FIG. 9

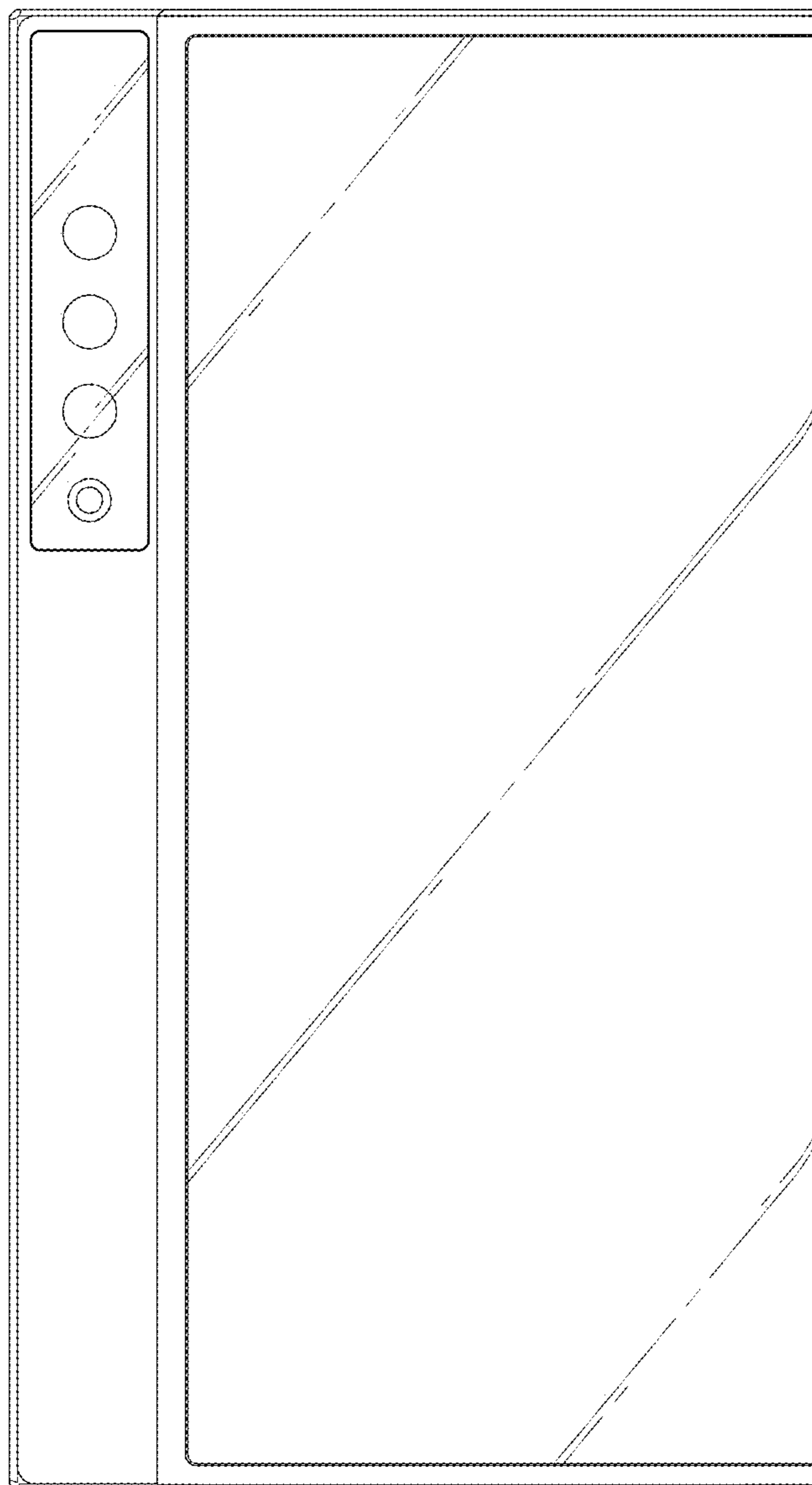


FIG. 10

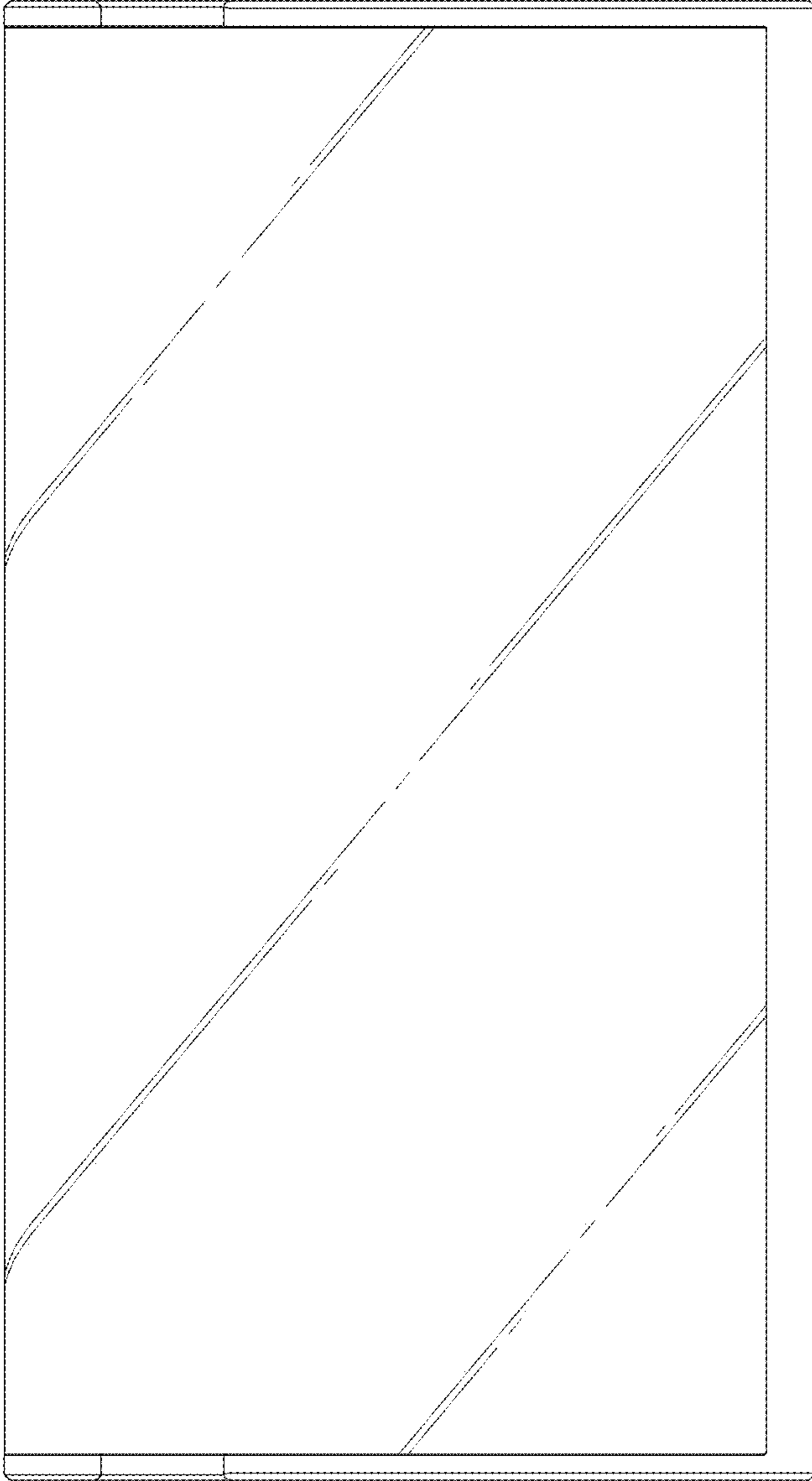


FIG. 11

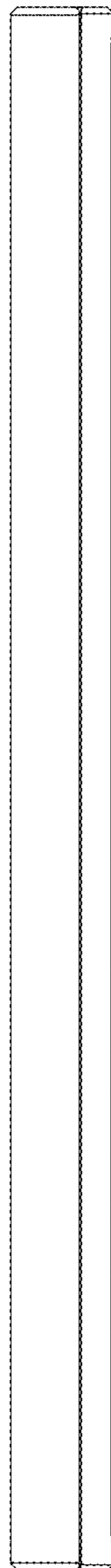


FIG. 12

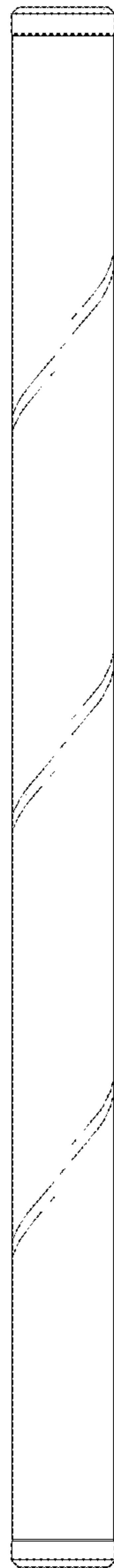


FIG. 13

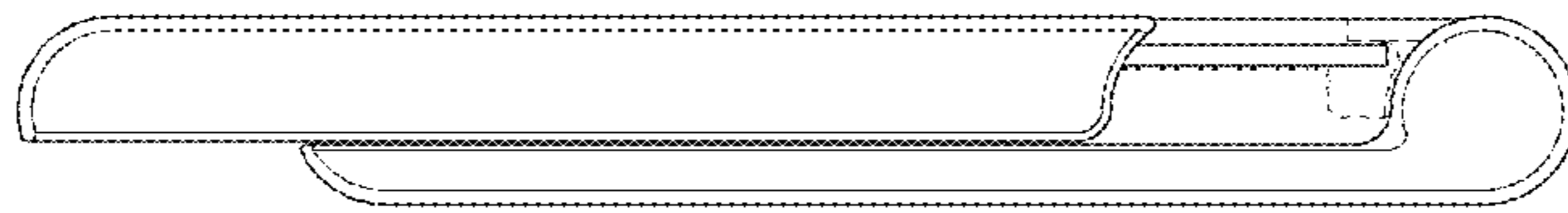


FIG. 14

