



US00D973616S

(12) **United States Design Patent**
Xu et al.

(10) **Patent No.:** **US D973,616 S**
(45) **Date of Patent:** **** Dec. 27, 2022**

(54) **MOBILE PHONE**

(71) Applicant: **HUAWEI TECHNOLOGIES CO., LTD.**, Shenzhen (CN)

(72) Inventors: **Jian Xu**, Shenzhen (CN); **Guoping Wu**, Shenzhen (CN)

(73) Assignee: **HUAWEI TECHNOLOGIES CO., LTD.**, Shenzhen (CN)

(**) Term: **15 Years**

(21) Appl. No.: **29/735,923**

(22) Filed: **May 26, 2020**

(30) **Foreign Application Priority Data**

Nov. 26, 2019 (CN) 201930654708.2

(51) **LOC (13) Cl.** **14-03**

(52) **U.S. Cl.**
USPC **D14/138 C**

(58) **Field of Classification Search**

USPC D14/496, 138 R, 138 AA, 138 AB, D14/138 AC, 138 AD, 138 C, 138 G, D14/203.1, 203.3, 203.4, 203.7, 212, 248, D14/299, 341, 348, 426, 439, 505, 506, D14/507; D16/101, 203, 207, 210, 330, D16/334; D26/25, 34, 35, 36
CPC G06F 3/041; G06F 3/0412; G06F 3/0488; G06F 3/04883; G06F 1/1613; G06F 1/1686; G06F 1/1626; G06F 1/1692; G06F 2200/1633; H04M 1/0283; H04M 1/0279; H04M 1/0202; H04M 1/0266; H04M 1/027; H04N 13/128; H04N 13/239; H04N 13/243; H04N 13/271; H04N 13/302; H04N 13/398; H04N 5/2551; H04N 5/2252; H04N

(Continued)

(56) **References Cited**

U.S. PATENT DOCUMENTS

D568,285 S * 5/2008 Lee D14/138 G
D665,386 S * 8/2012 Fathollahi D14/250

(Continued)

FOREIGN PATENT DOCUMENTS

CN 303605620 S 3/2016
CN 303640643 S 4/2016

(Continued)

OTHER PUBLICATIONS

The few places, www.theverge.com, May 25, 2019. <https://www.theverge.com/2019/5/25/18635647/huawei-phone-us-buy-where-how-ebay-amazon-b-h-photo> (Year: 2019).*

Primary Examiner — Llorellys Martinez

Assistant Examiner — Kwabena A. Ankobiah

(74) *Attorney, Agent, or Firm* — Rimon PC

(57) **CLAIM**

The ornamental design for a mobile phone, as shown and described.

DESCRIPTION

FIG. 1 is a front view of a mobile phone, showing our new design;

FIG. 2 is a back view thereof;

FIG. 3 is a left view thereof;

FIG. 4 is a right view thereof;

FIG. 5 is a top view thereof;

FIG. 6 is a bottom view thereof;

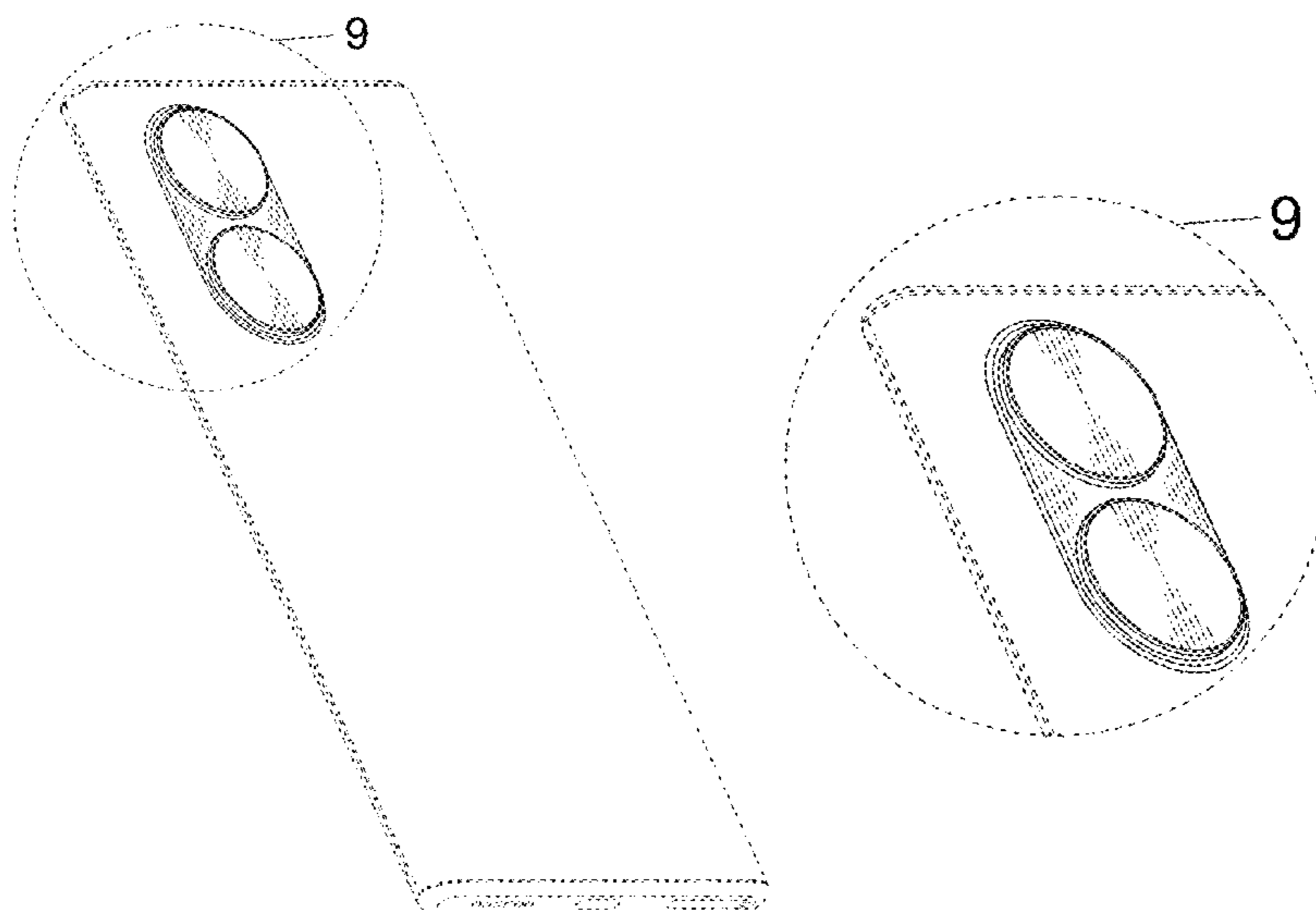
FIG. 7 is a front perspective view thereof;

FIG. 8 is a back perspective view thereof; and,

FIG. 9 is an enlarged back perspective view thereof of the region indicated in FIG. 8.

The broken lines depict portions of the mobile phone that form no part of the claimed design. The dash-dash broken lines encircling a portion of the drawings in FIGS. 8 and 9 are included to show a partially enlarged view only and form no part of the claimed design.

1 Claim, 9 Drawing Sheets



(58) **Field of Classification Search**

CPC 5/2254; H04N 5/2258; H04N 5/247; H04N
5/23222; G02B 7/02; G02B 7/021; G02B
7/12; G02B 7/04; G02B 7/14; G03B
15/03; G03B 17/12

See application file for complete search history.

(56) **References Cited**

U.S. PATENT DOCUMENTS

D679,269 S * 4/2013 Fahlgren D14/248
D709,851 S * 7/2014 Cai D14/138 AA
D711,862 S * 8/2014 Fathollahi D14/250
D716,748 S * 11/2014 Wang D14/138 G
D720,715 S * 1/2015 Chao D14/138 AA

FOREIGN PATENT DOCUMENTS

CN 305092846 S 4/2019
CN 305210760 S 6/2019
CN 305265409 S 7/2019
CN 305361996 S 9/2019
CN 305381441 S 10/2019
CN 305381546 S 10/2019
CN 305391931 S 10/2019
KR 300996252 3/2019

* cited by examiner

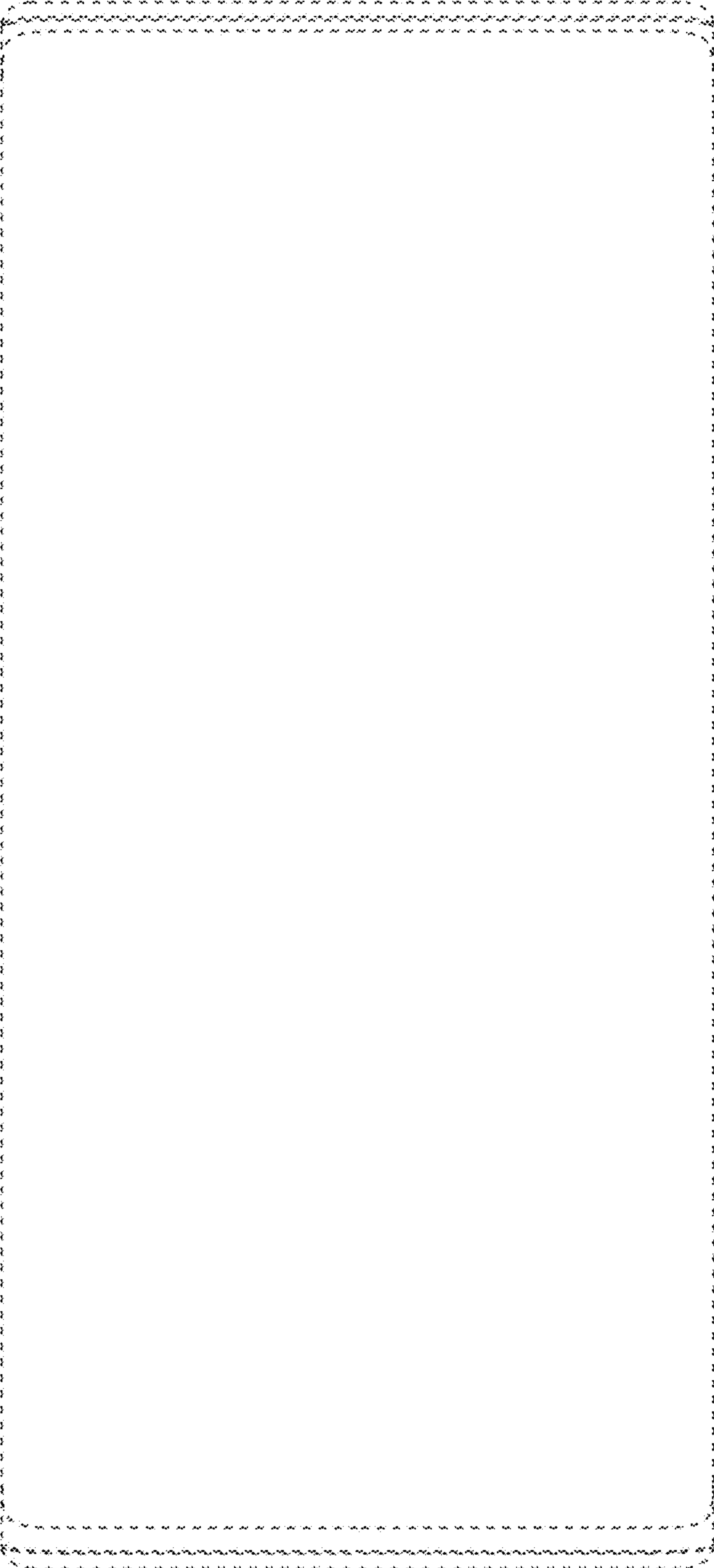


FIG. 1

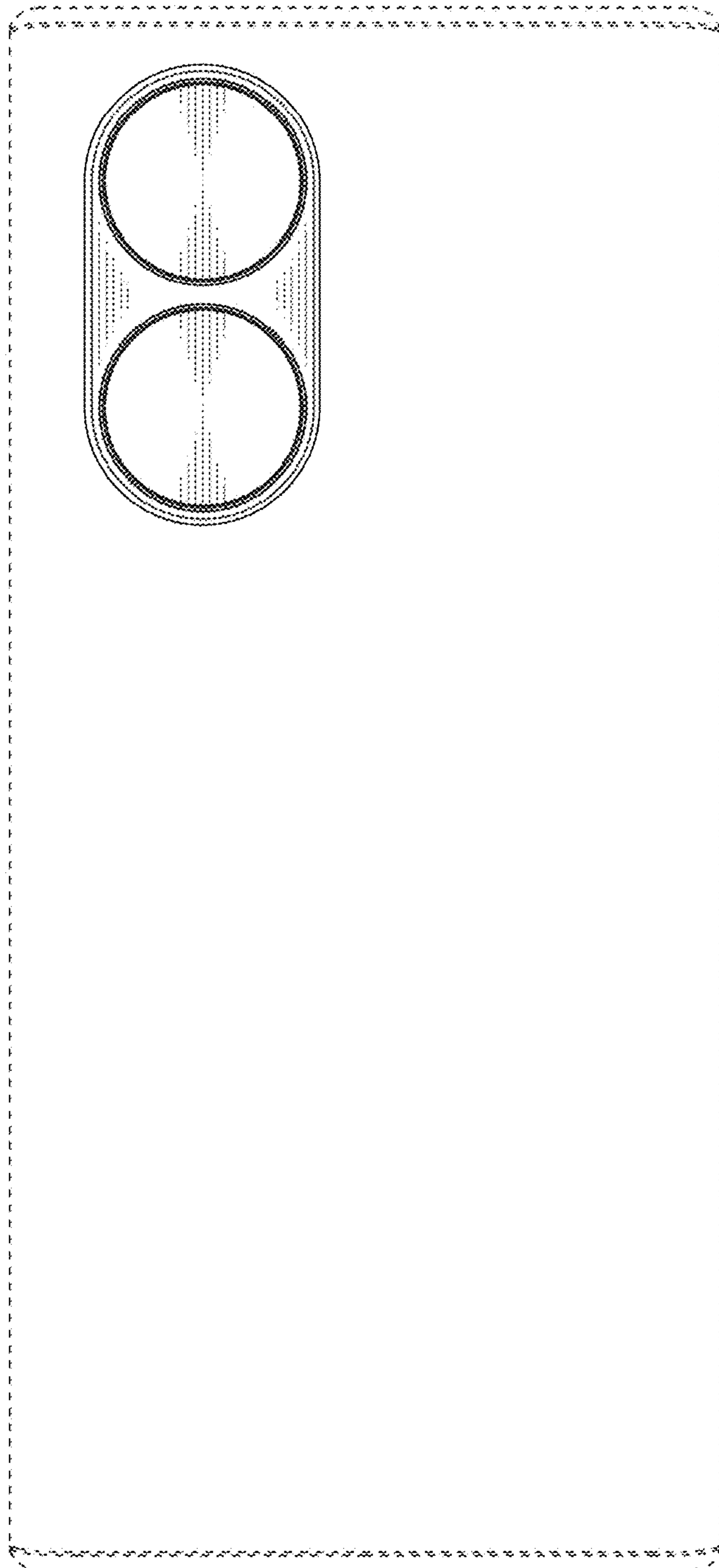


FIG. 2

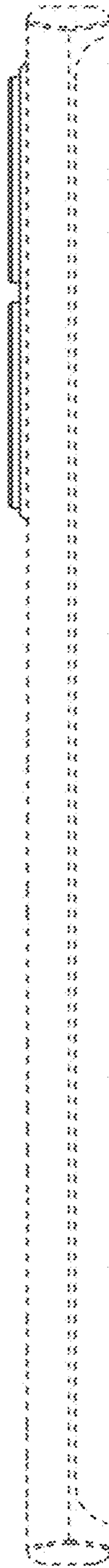


FIG. 3

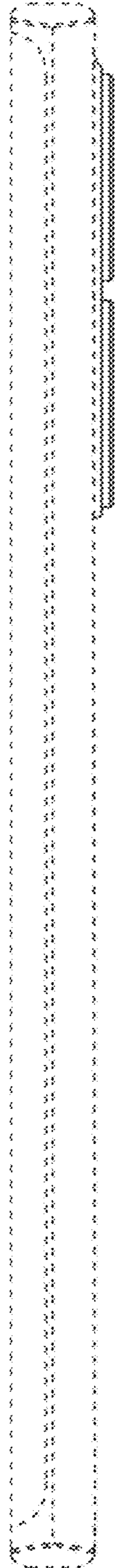


FIG. 4

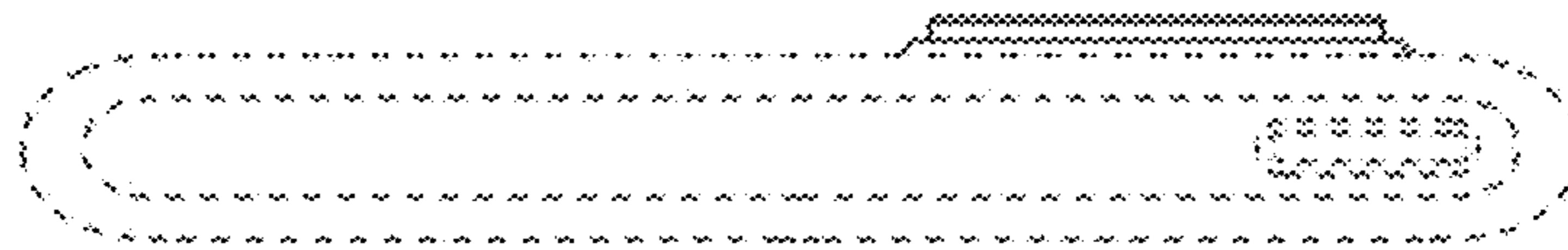


FIG. 5

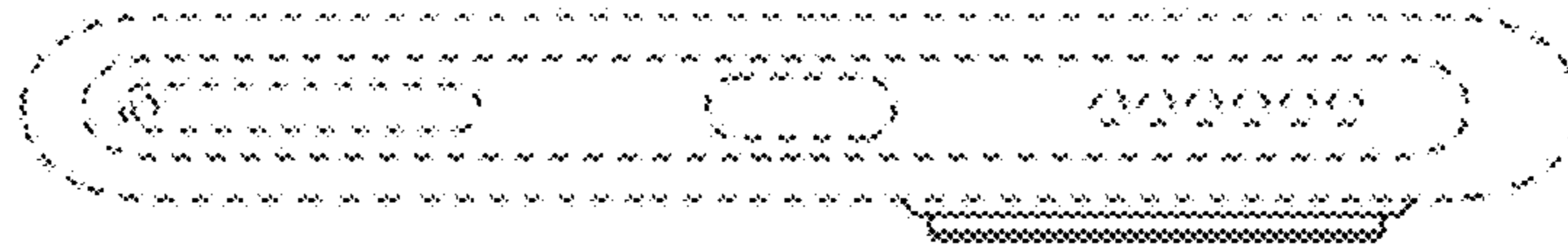


FIG. 6

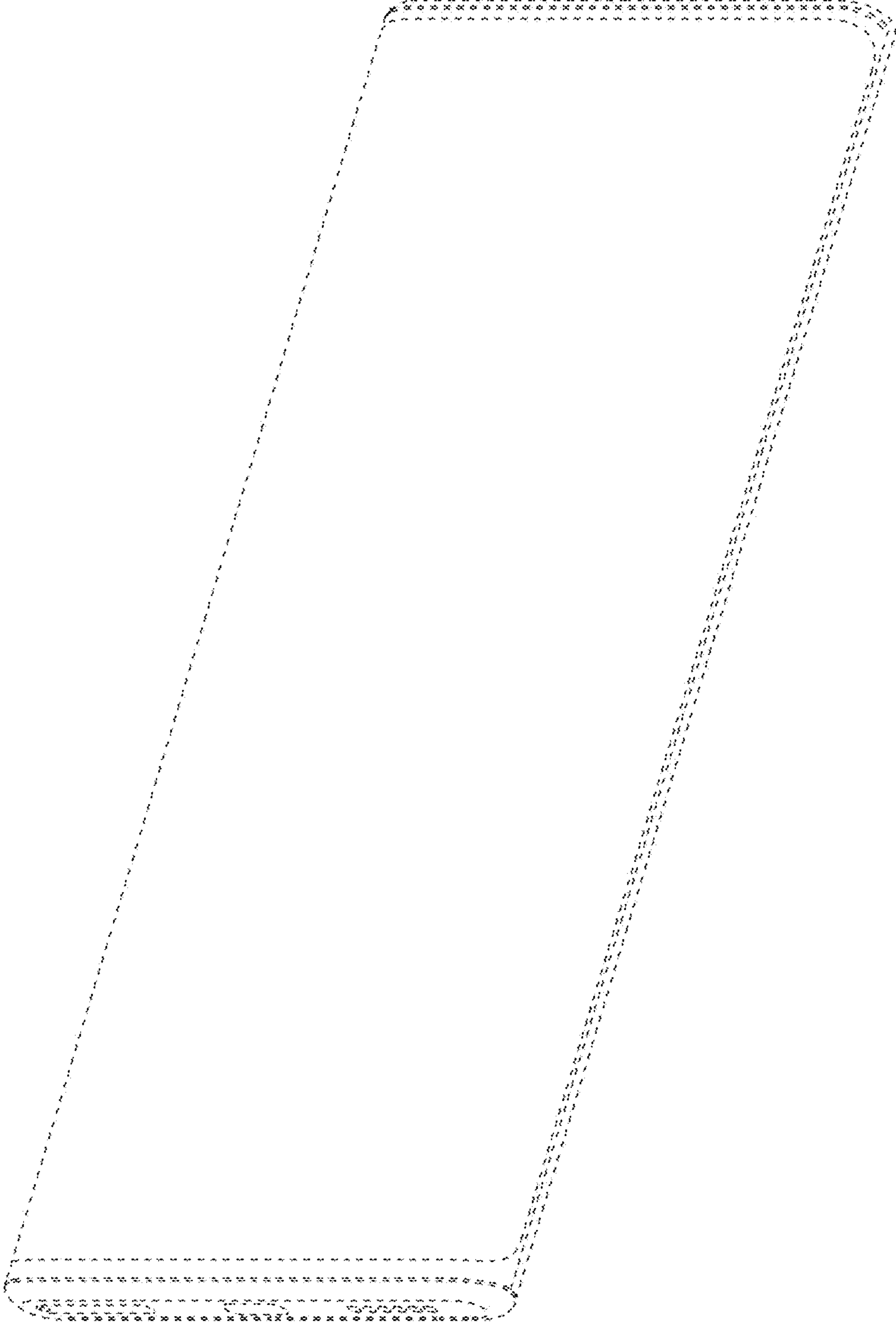


FIG.7

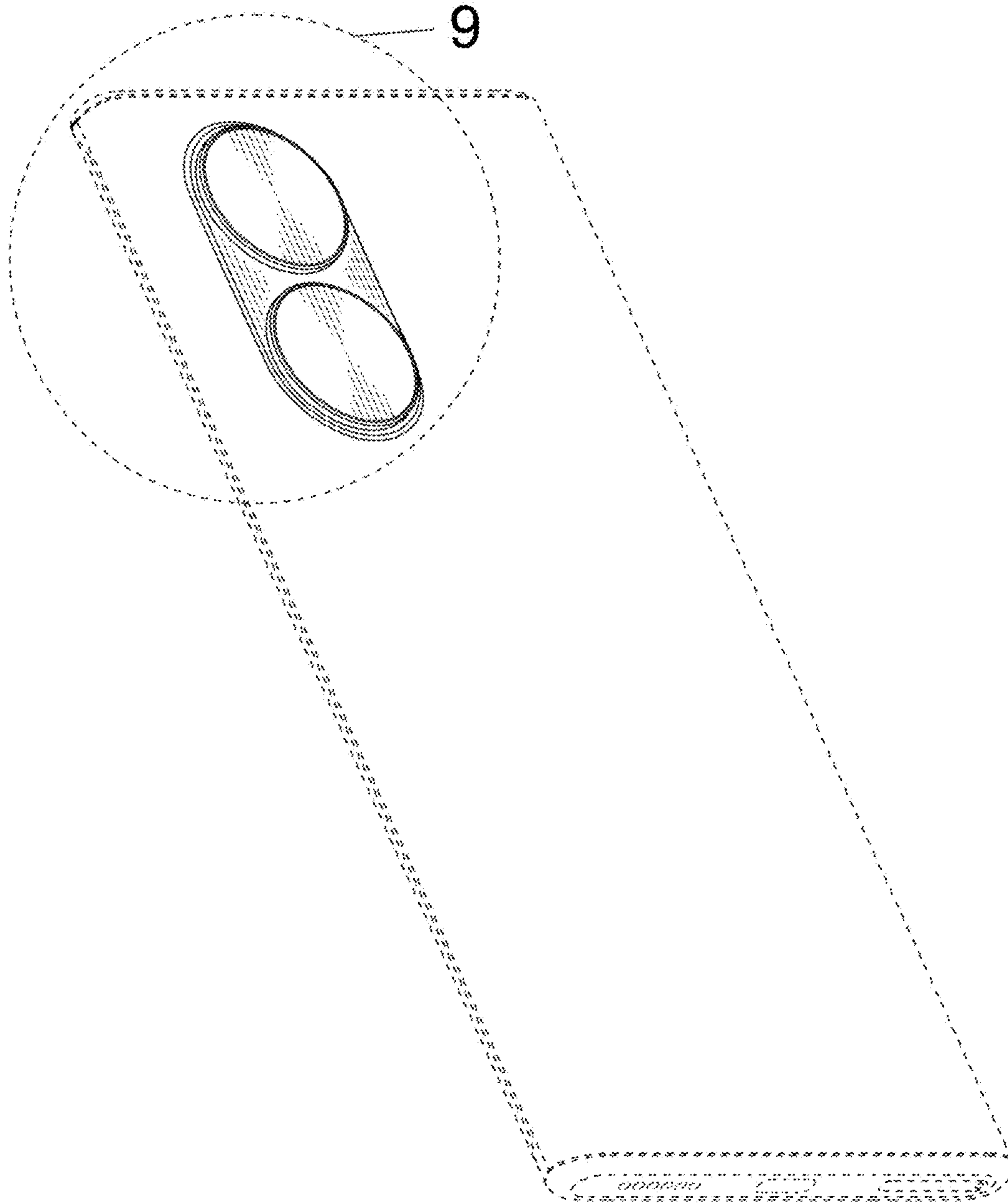


FIG. 8

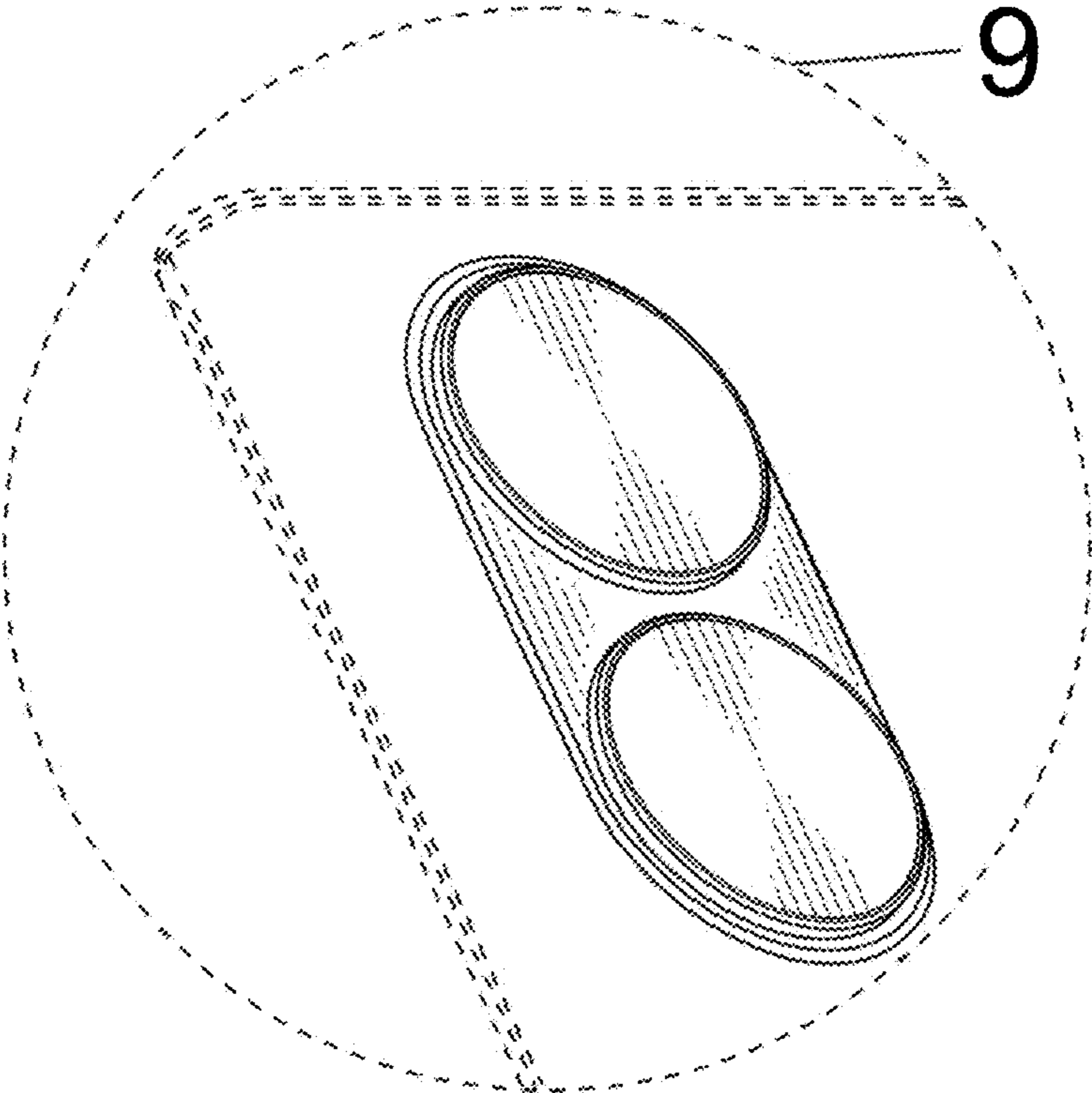


FIG.9