



US00D973614S

(12) **United States Design Patent**  
**Liu et al.**

(10) **Patent No.:** **US D973,614 S**

(45) **Date of Patent:** **\*\* Dec. 27, 2022**

(54) **RADIO RECEIVER**

(71) Applicants: **Guangzhou Rantion Technology Co., Ltd.**, Guangzhou (CN); **Donner Technology LLC**, Charlotte, NC (US)

(72) Inventors: **Zhicong Liu**, Guangzhou (CN); **Naiyong He**, Guangzhou (CN)

(\*\*) Term: **15 Years**

(21) Appl. No.: **29/794,285**

(22) Filed: **Jun. 11, 2021**

(51) **LOC (13) Cl.** ..... **14-03**

(52) **U.S. Cl.**  
USPC ..... **D14/137**

(58) **Field of Classification Search**  
USPC ..... D14/137, 138 R, 138 AA, 138 AD, 240, D14/242, 357, 358, 140-140.9, 155, 125, D14/139, 243, 348, 349, 351, 354, 355, D14/433, 435.1; D10/104.1  
CPC .. H04B 1/3833; H04B 1/3827; H04B 1/3855; H04B 2001/3861; H04B 1/38; H04M 1/0202; H04M 1/03; H04M 1/035; H04L 12/00; H03K 17/00; H04W 88/00; H04W 88/005; H04W 88/02; H04W 88/08; H04W 88/085; H04W 88/10; H04W 88/12; H04W 88/14  
See application file for complete search history.

(56) **References Cited**

**U.S. PATENT DOCUMENTS**

D318,656 S	*	7/1991	Bowker	.....	D14/356
D321,178 S	*	10/1991	Bowker	.....	D14/356
D488,150 S	*	4/2004	Chen	.....	D14/242
D494,156 S	*	8/2004	Chen	.....	D14/240
D549,663 S	*	8/2007	Tsou	.....	D13/164

D561,750 S	*	2/2008	Liu	.....	D14/240
D562,814 S	*	2/2008	Liu	.....	D14/240
D580,422 S	*	11/2008	Lee	.....	D14/240
D596,177 S	*	7/2009	Steele	.....	D14/358
D599,754 S	*	9/2009	Xie	.....	D14/125
D728,467 S	*	5/2015	Hasbrook	.....	D13/103
D752,562 S	*	3/2016	You	.....	D14/240
D777,695 S	*	1/2017	Odryna	.....	D14/125
D788,775 S	*	6/2017	Tu	.....	D14/240
D808,915 S	*	1/2018	Wang	.....	D14/125
D814,451 S	*	4/2018	Shin	.....	D14/242
D821,375 S	*	6/2018	Ramones	.....	D14/242
D821,995 S	*	7/2018	Wang	.....	D14/125
D825,540 S	*	8/2018	Wilcox	.....	D14/242
D835,086 S	*	12/2018	Wilcox	.....	D14/242
D841,610 S	*	2/2019	Novin	.....	D14/137
D898,690 S	*	10/2020	Lan	.....	D14/137
D902,189 S	*	11/2020	Yang	.....	D14/230
D948,490 S	*	4/2022	Harley	.....	D14/240

\* cited by examiner

*Primary Examiner* — Bridget L Eland

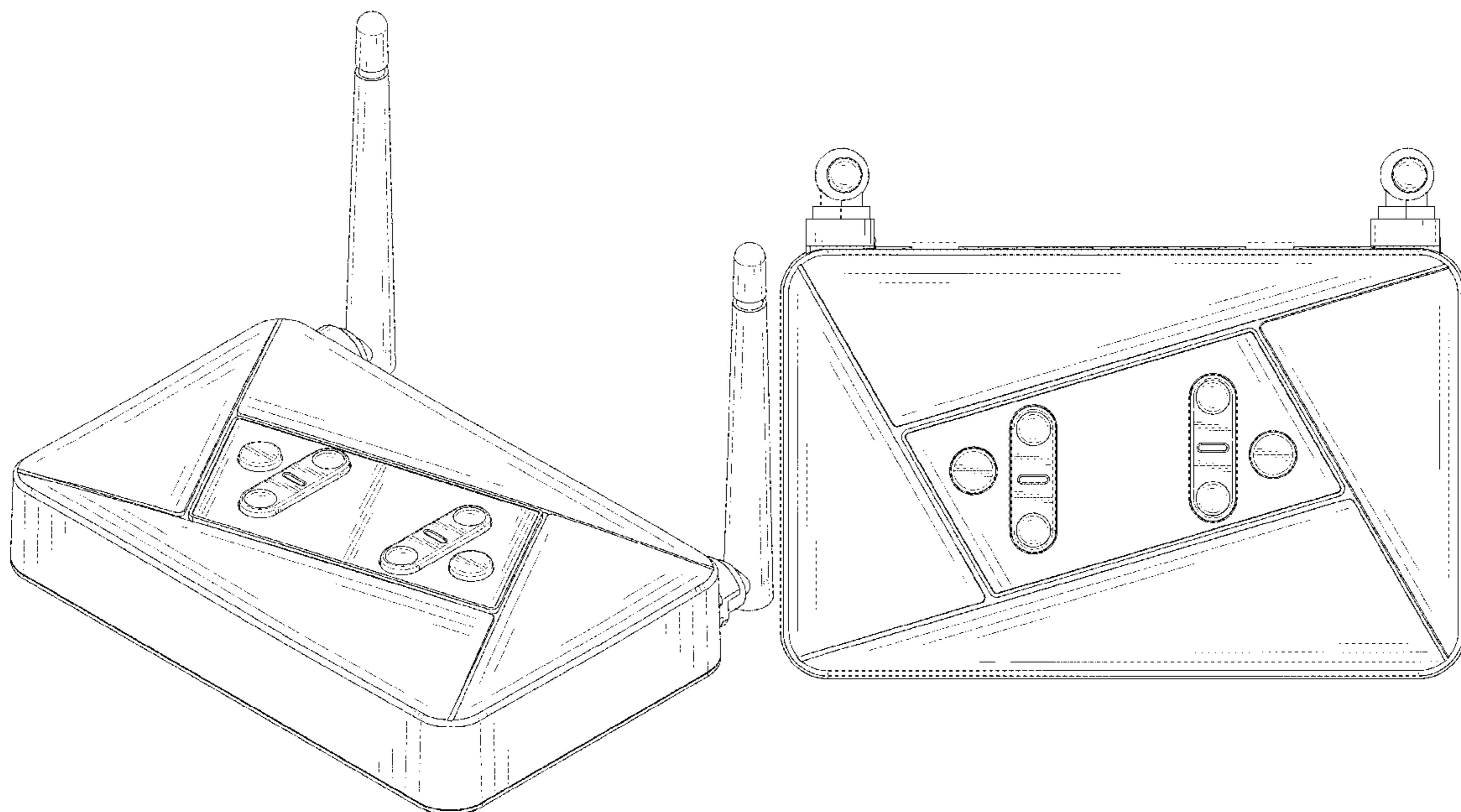
(57) **CLAIM**

The ornamental design for a radio receiver, as shown and described.

**DESCRIPTION**

FIG. 1 is a front and top perspective view of a radio receiver, showing our new design;  
FIG. 2 is a rear and bottom perspective view thereof;  
FIG. 3 is a front elevation view thereof;  
FIG. 4 is a rear elevation view thereof;  
FIG. 5 is a left side elevation view thereof;  
FIG. 6 is a right side elevation view thereof;  
FIG. 7 is a top plan view thereof; and,  
FIG. 8 is a bottom plan view thereof.  
The broken lines in the figures illustrate portions of a radio receiver that form no part of the claimed design.

**1 Claim, 8 Drawing Sheets**



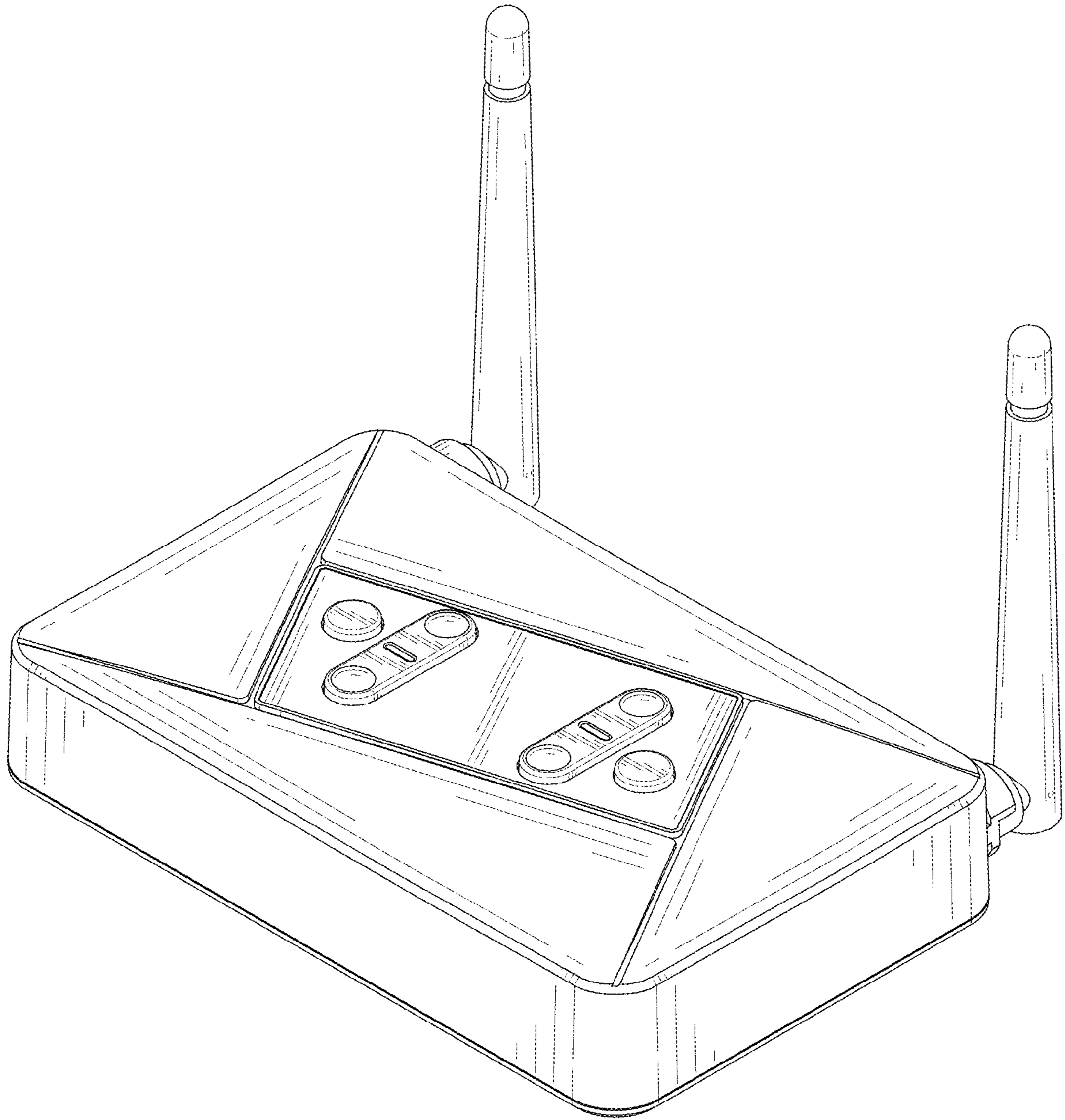


FIG. 1

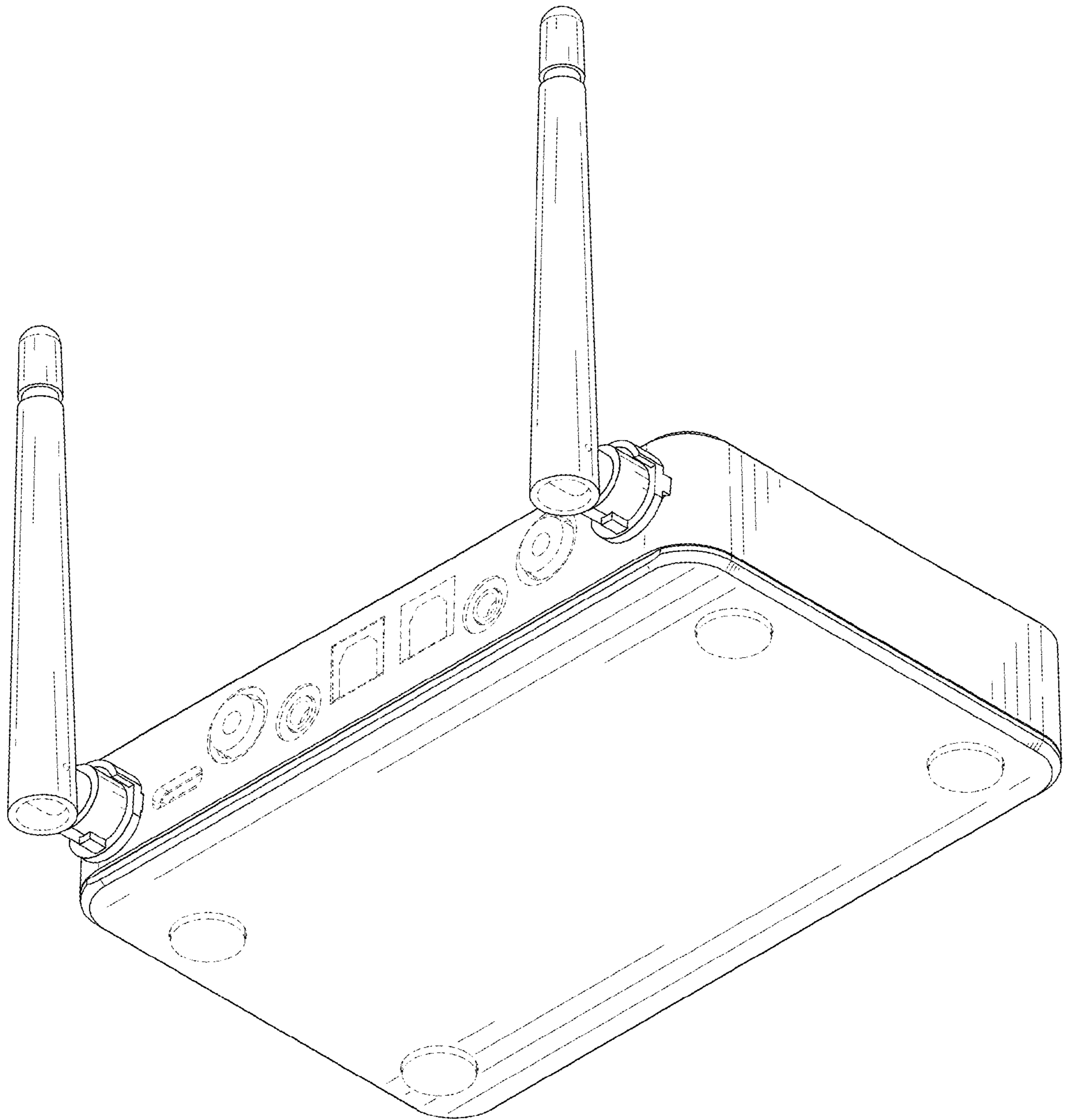


FIG. 2

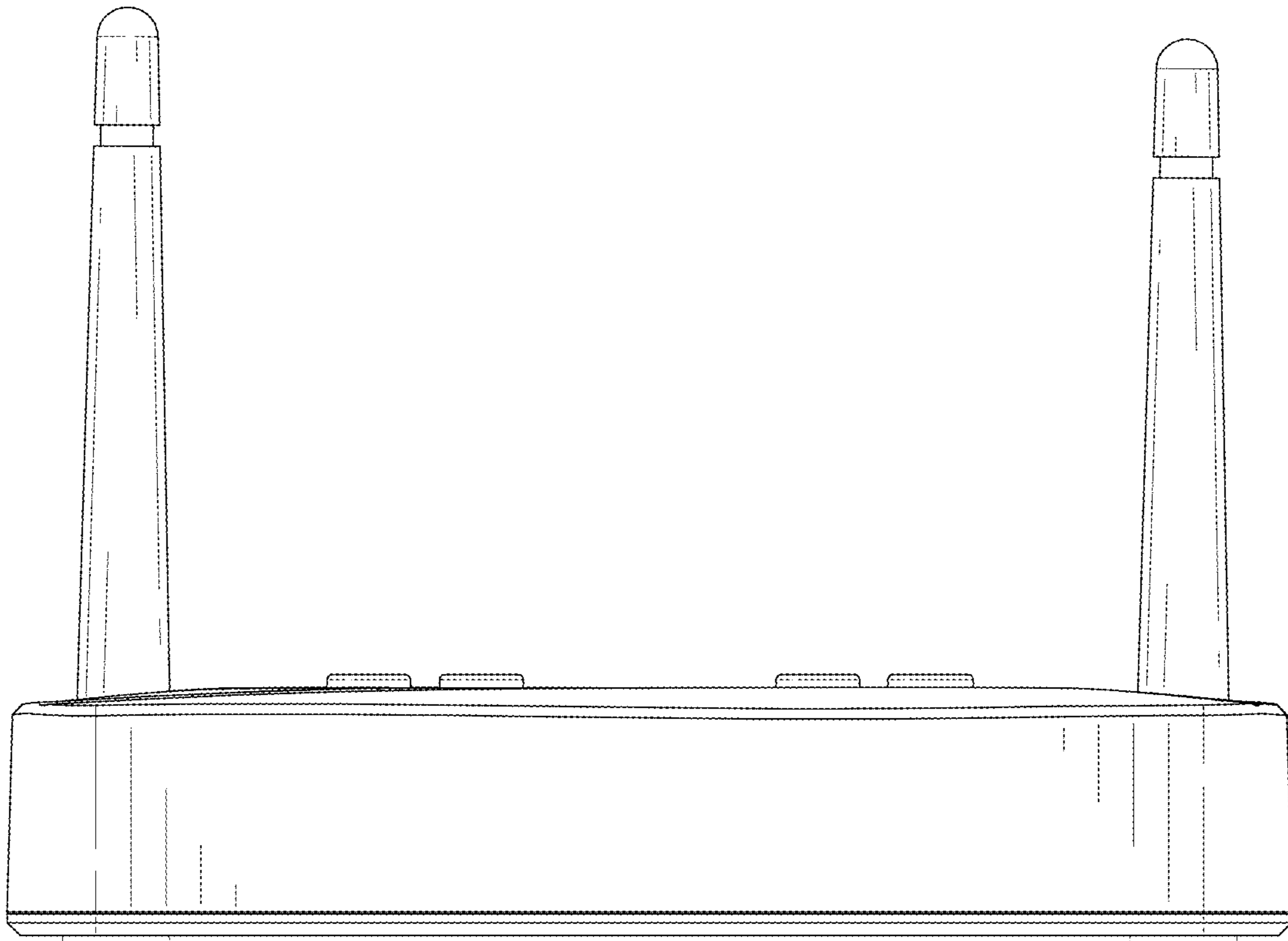


FIG. 3

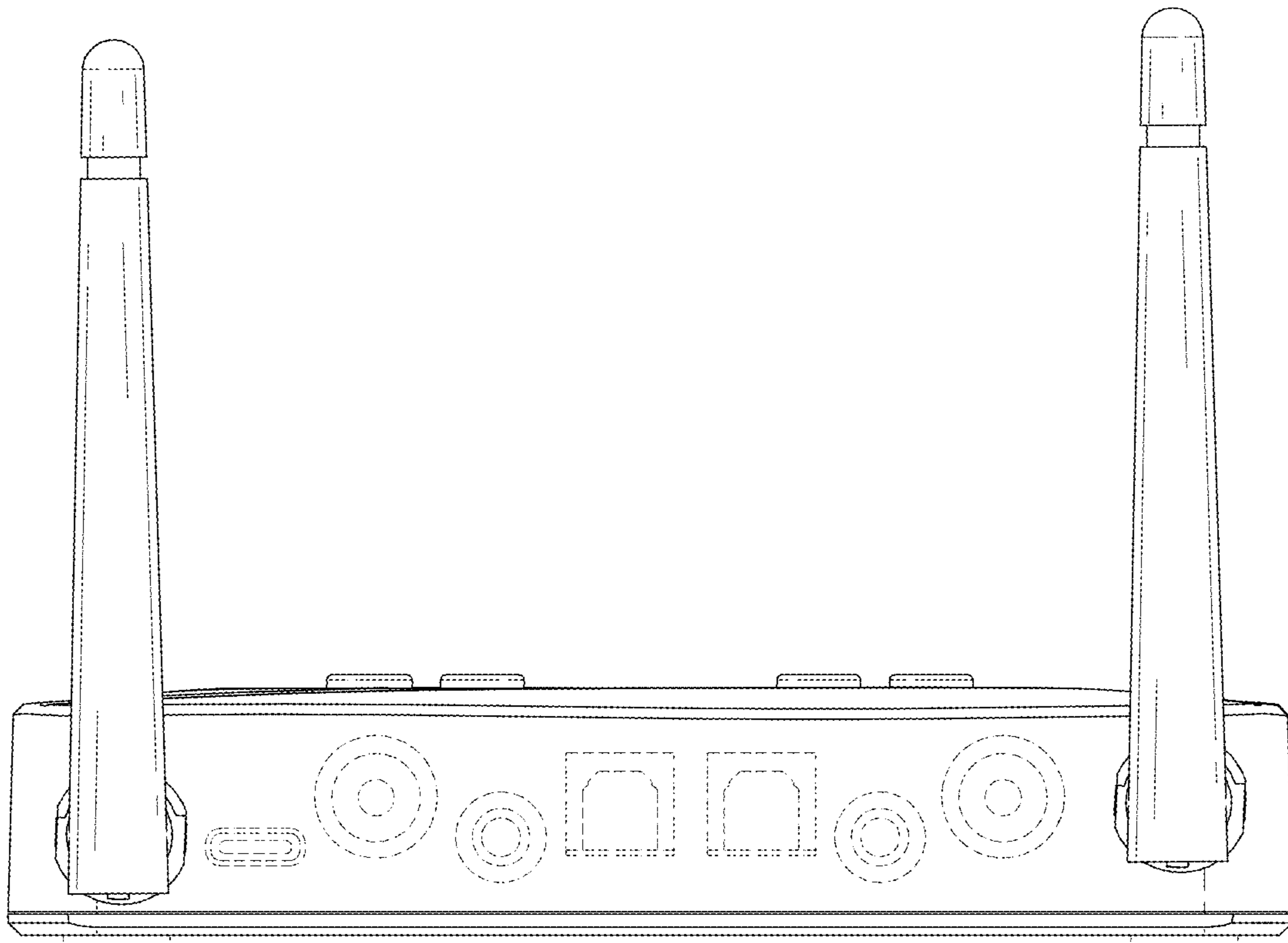


FIG. 4

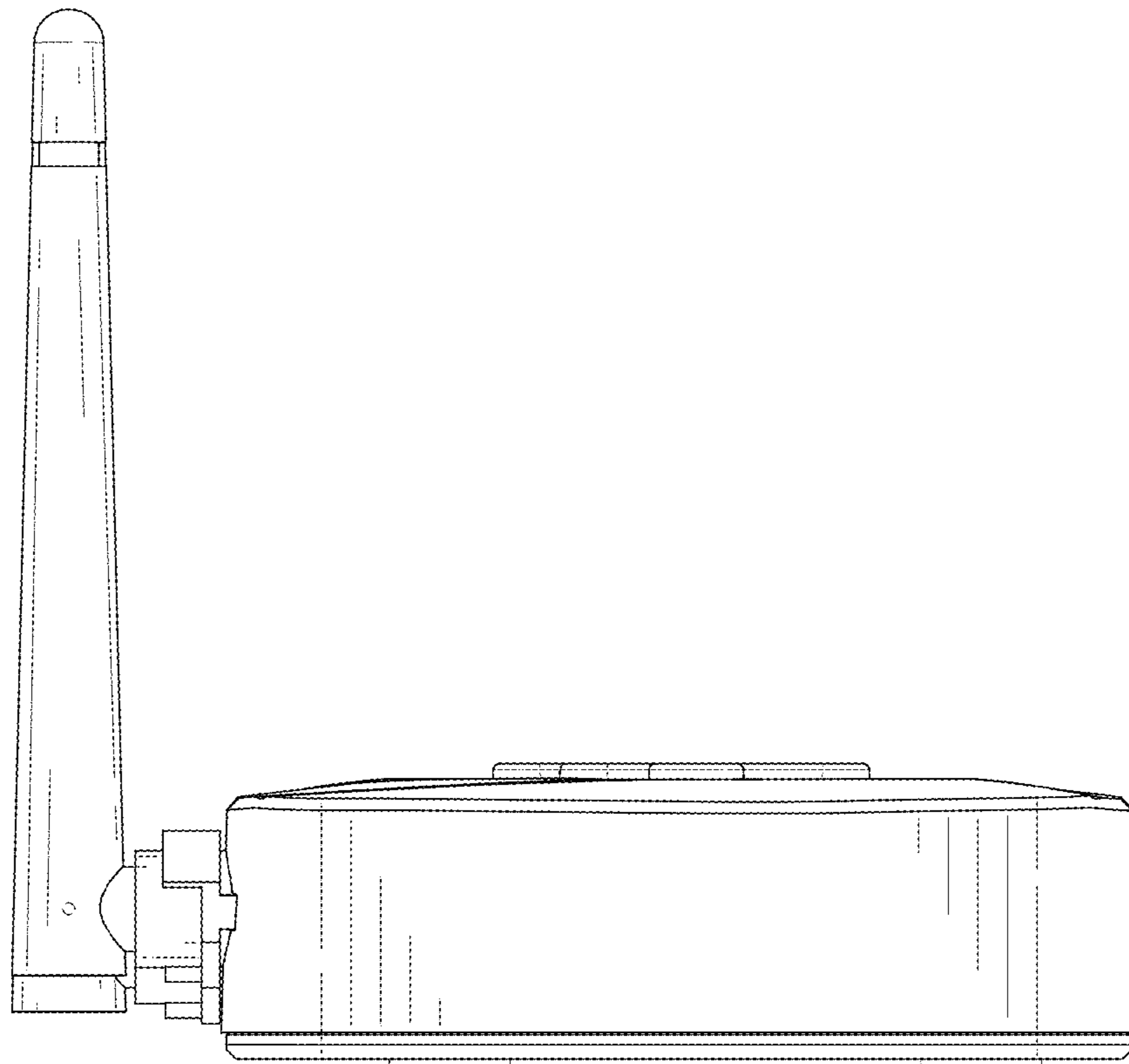


FIG. 5

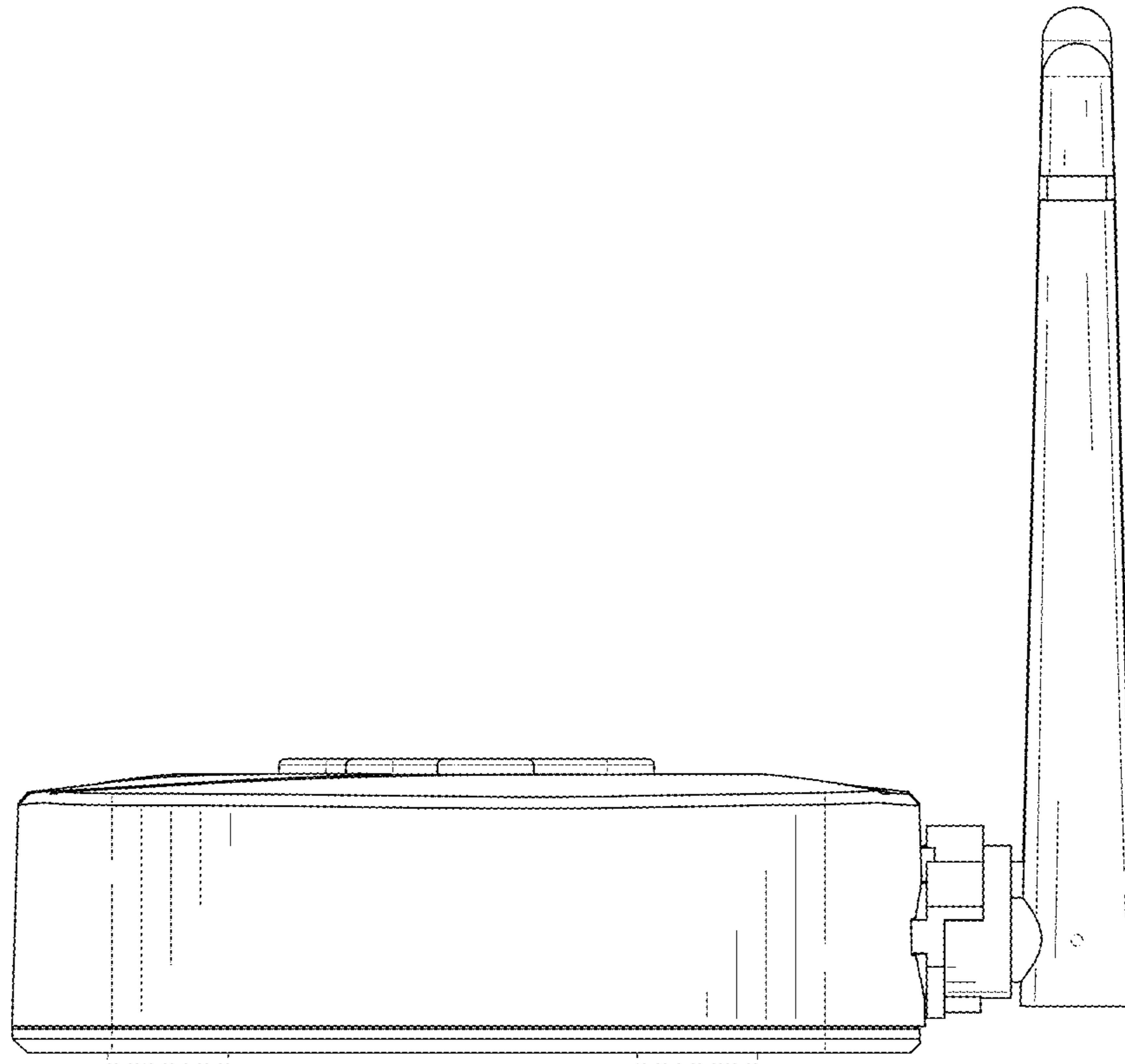


FIG. 6

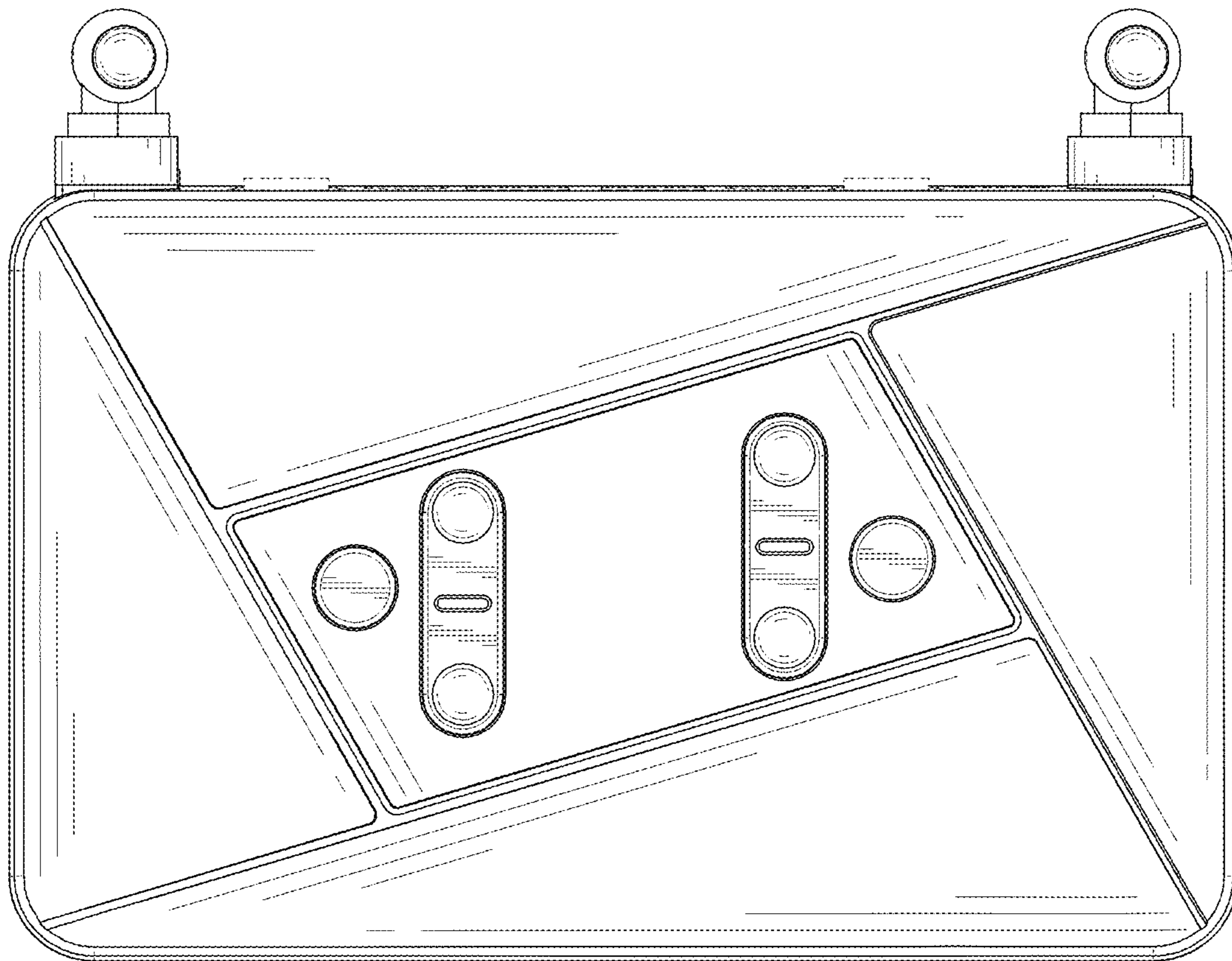


FIG. 7



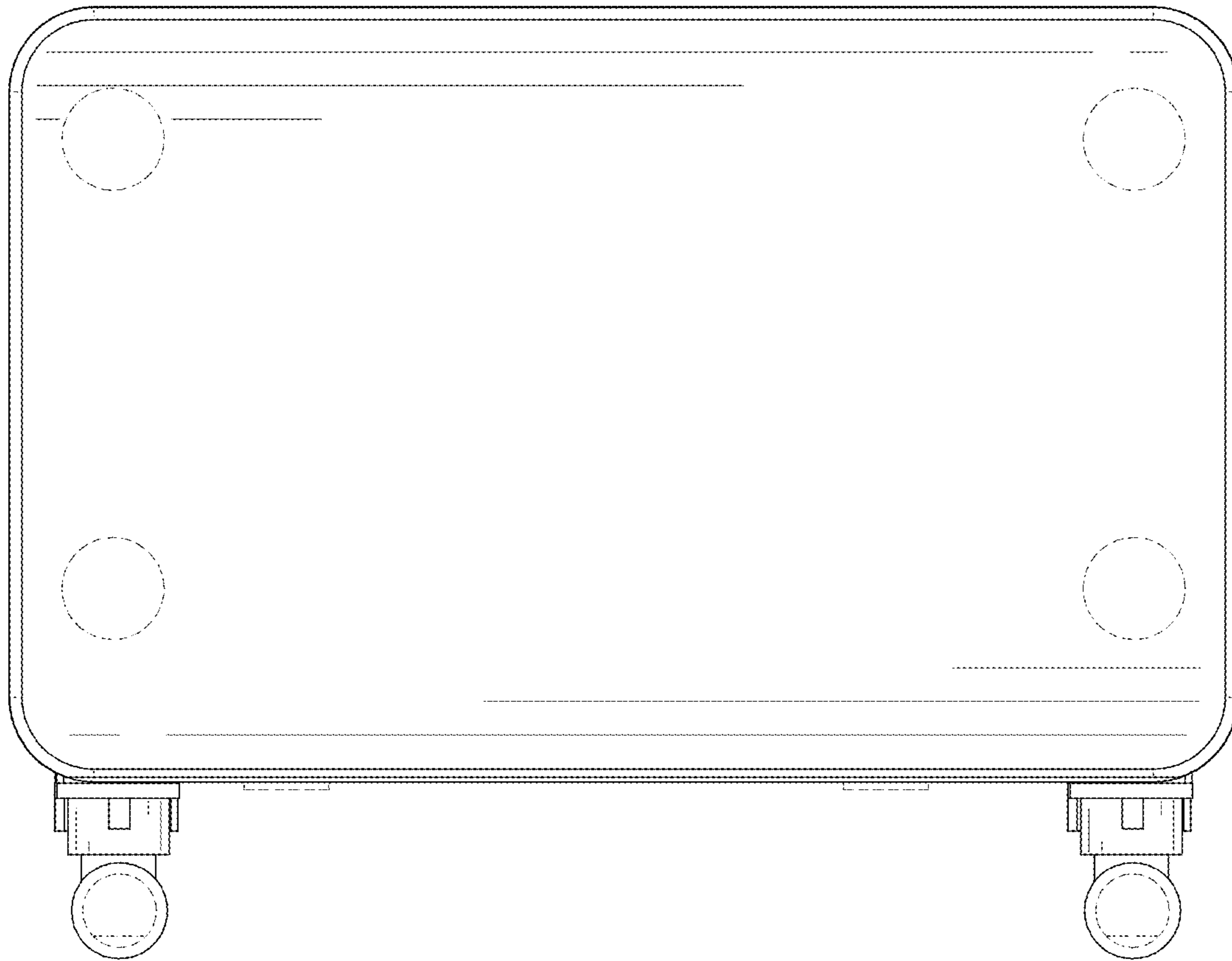


FIG. 8