



US00D973612S

(12) **United States Design Patent**  
**Chen**

(10) **Patent No.:** **US D973,612 S**

(45) **Date of Patent:** **\*\* Dec. 27, 2022**

(54) **WALKIE TALKIE**

(71) Applicant: **Jiyong Chen**, Fuzhou (CN)

(72) Inventor: **Jiyong Chen**, Fuzhou (CN)

(\*\*) Term: **15 Years**

(21) Appl. No.: **29/787,671**

(22) Filed: **Jun. 8, 2021**

(51) **LOC (13) Cl.** ..... **14-03**

(52) **U.S. Cl.**  
USPC ..... **D14/137**

(58) **Field of Classification Search**  
USPC ..... D14/137, 138 R, 138 AA, 138 AD;  
D10/104.1

CPC .. H04B 1/3833; H04B 1/3827; H04B 1/3855;  
H04B 2001/3861; H04M 1/0202; H04M  
1/03; H04M 1/035

See application file for complete search history.

D774,935 S *	12/2016	Liu .....	D10/104.1
D788,730 S *	6/2017	Amann .....	D14/138 G
D794,587 S *	8/2017	Page .....	D14/137
D851,615 S *	6/2019	Lee .....	D14/137
D896,197 S *	9/2020	Lee .....	D14/137
D914,628 S *	3/2021	Wang .....	D14/137
D914,629 S *	3/2021	Wang .....	D14/137
D914,630 S *	3/2021	Li .....	D14/137
D931,246 S *	9/2021	Hong .....	D14/137
D934,830 S *	11/2021	Liu .....	D14/137
D935,427 S *	11/2021	Oegerli .....	D14/137
D949,814 S *	4/2022	Wan .....	D14/137
2008/0130422 A1 *	6/2008	Hocherman .....	G04G 9/08 368/107

\* cited by examiner

*Primary Examiner* — Bridget L Eland

(74) *Attorney, Agent, or Firm* — Jeenam Park

(57) **CLAIM**

The ornamental design for a walkie talkie, as shown and described.

**DESCRIPTION**

FIG. 1 is a perspective view of a walkie talkie showing my new design;

FIG. 2 is a front view thereof;

FIG. 3 is a rear view thereof;

FIG. 4 is a left side view thereof;

FIG. 5 is a right side view thereof;

FIG. 6 is a top plan view thereof; and,

FIG. 7 is a bottom plan view thereof.

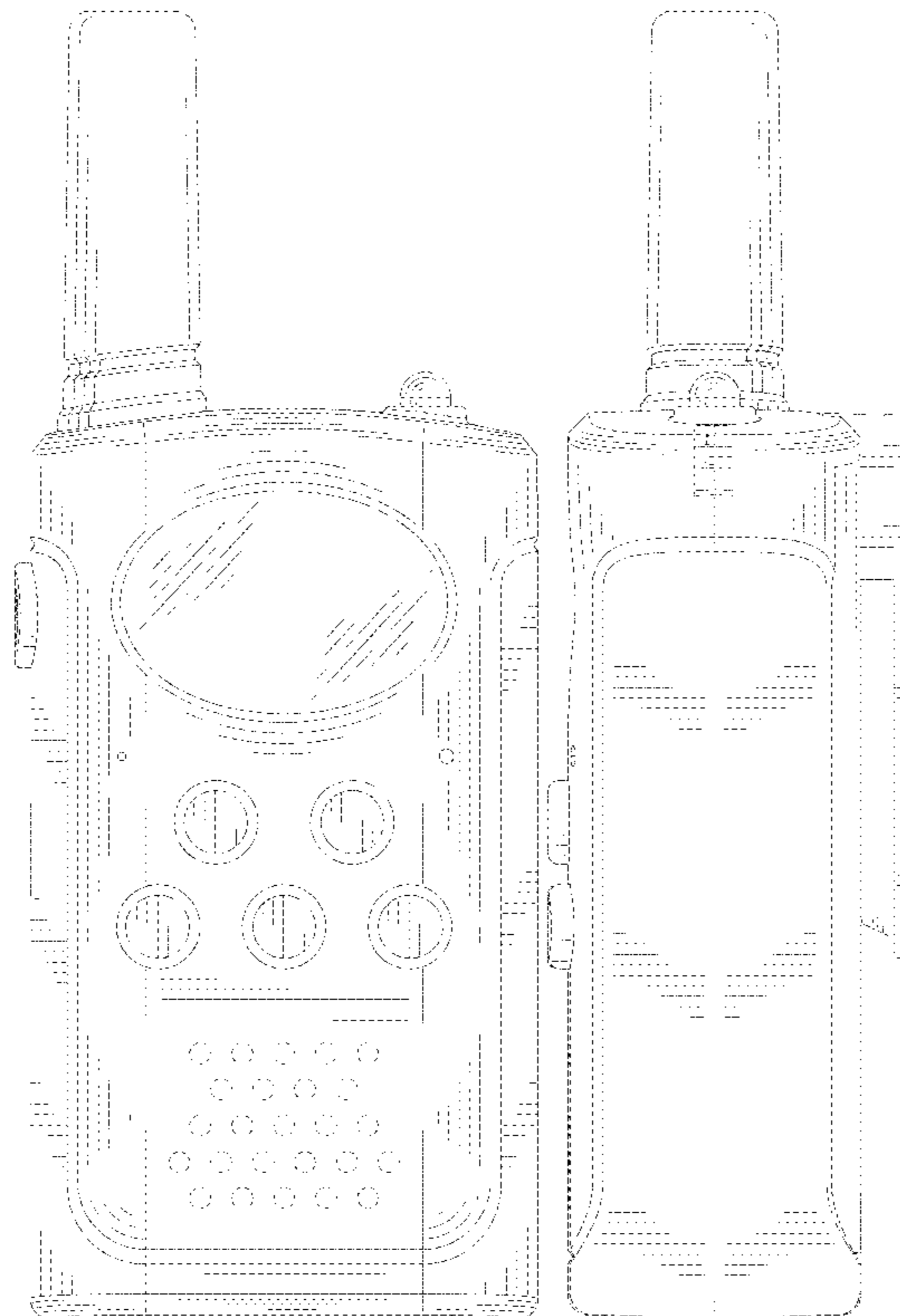
The broken lines in the drawings show portions of the walkie talkie that form no part of the claimed design.

**1 Claim, 7 Drawing Sheets**

(56) **References Cited**

U.S. PATENT DOCUMENTS

D313,401 S *	1/1991	Tanabe .....	D18/7
D431,486 S *	10/2000	Iseli .....	D10/106.1
D433,396 S *	11/2000	Wong .....	D14/137
D558,724 S *	1/2008	Hsu .....	D14/138 G
D637,174 S *	5/2011	Elkerbout .....	D14/159
D653,225 S *	1/2012	Yong .....	D14/137
D663,277 S *	7/2012	Yong .....	D14/137
D700,157 S *	2/2014	Kang .....	D14/137
D723,494 S *	3/2015	Skafdrup .....	D14/138 G
D752,536 S *	3/2016	Ooi .....	D14/137



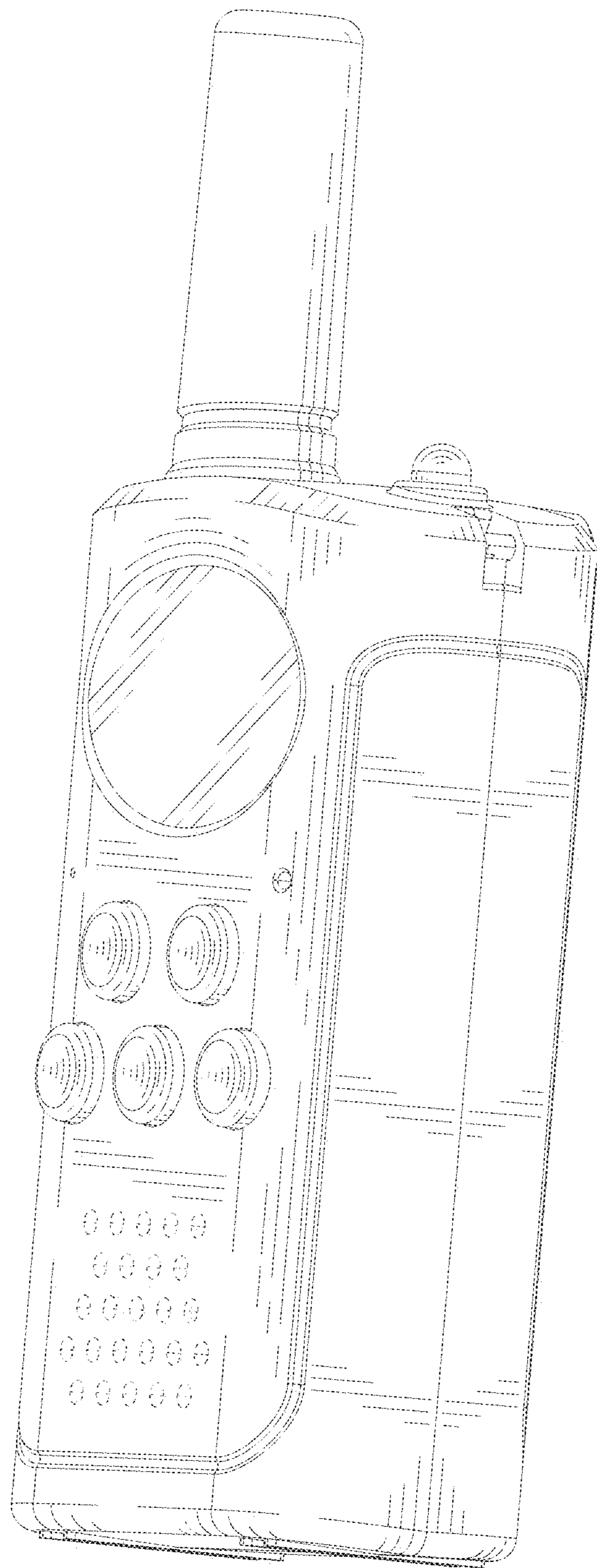


FIG. 1

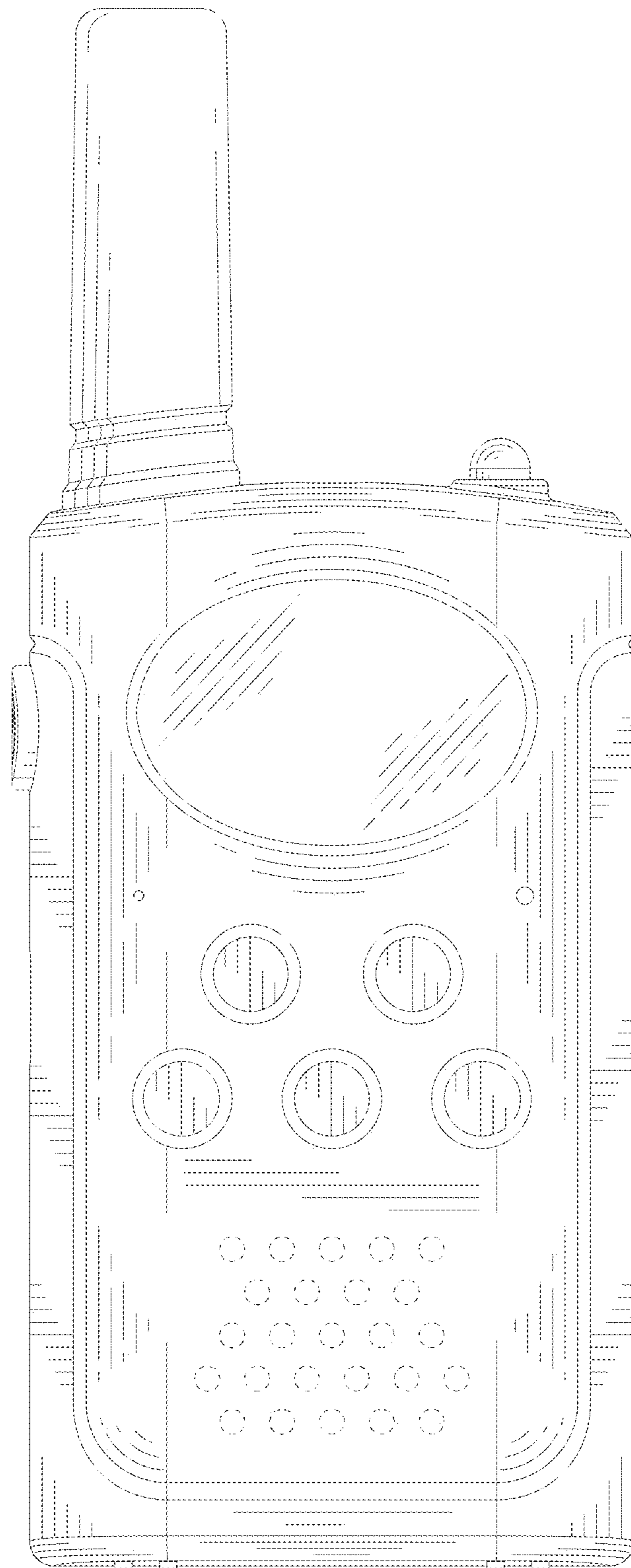


FIG. 2

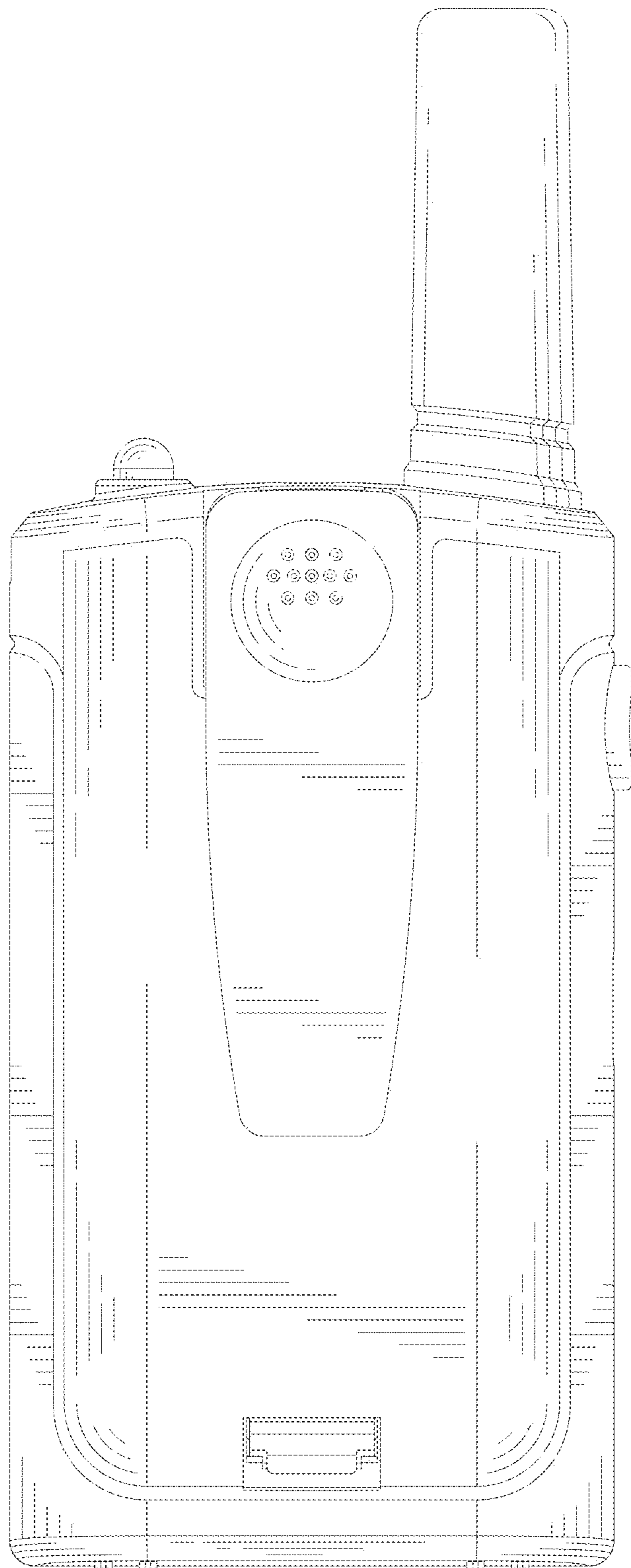


FIG. 3

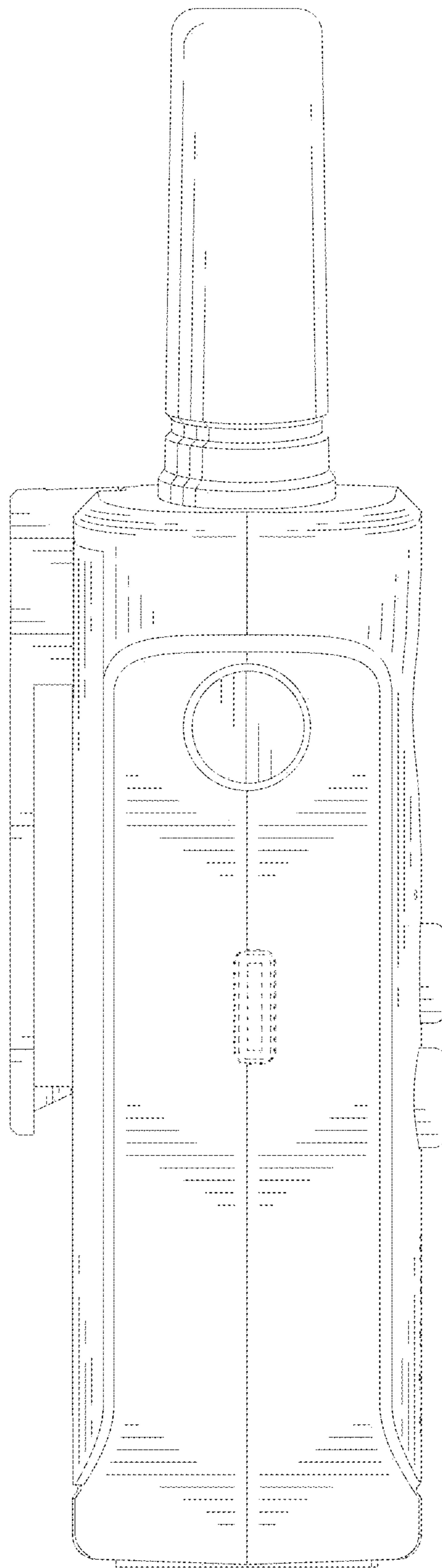


FIG. 4

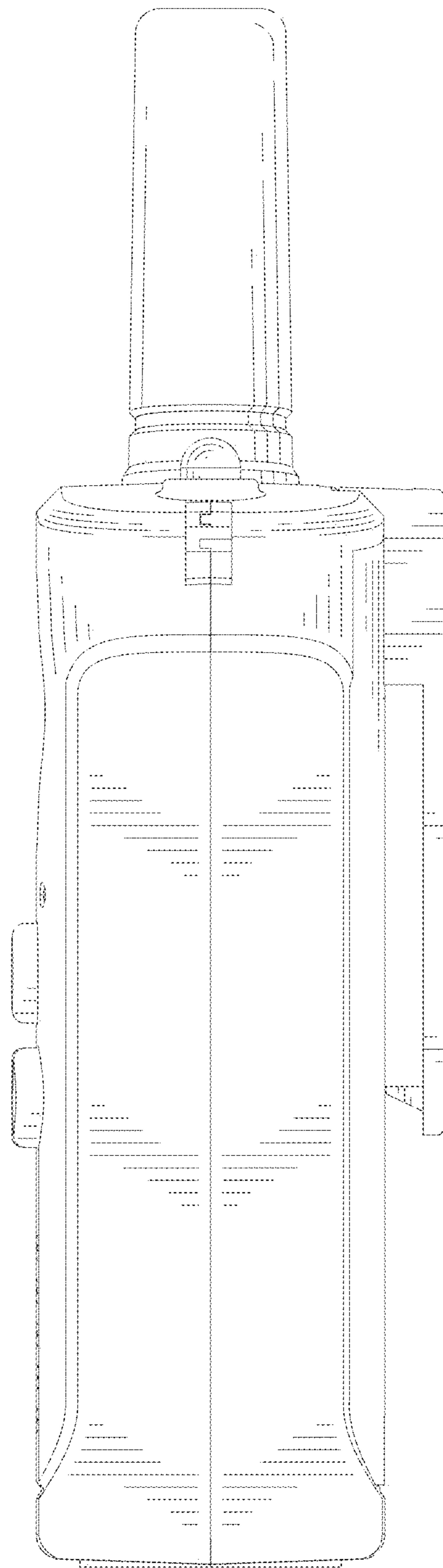


FIG. 5

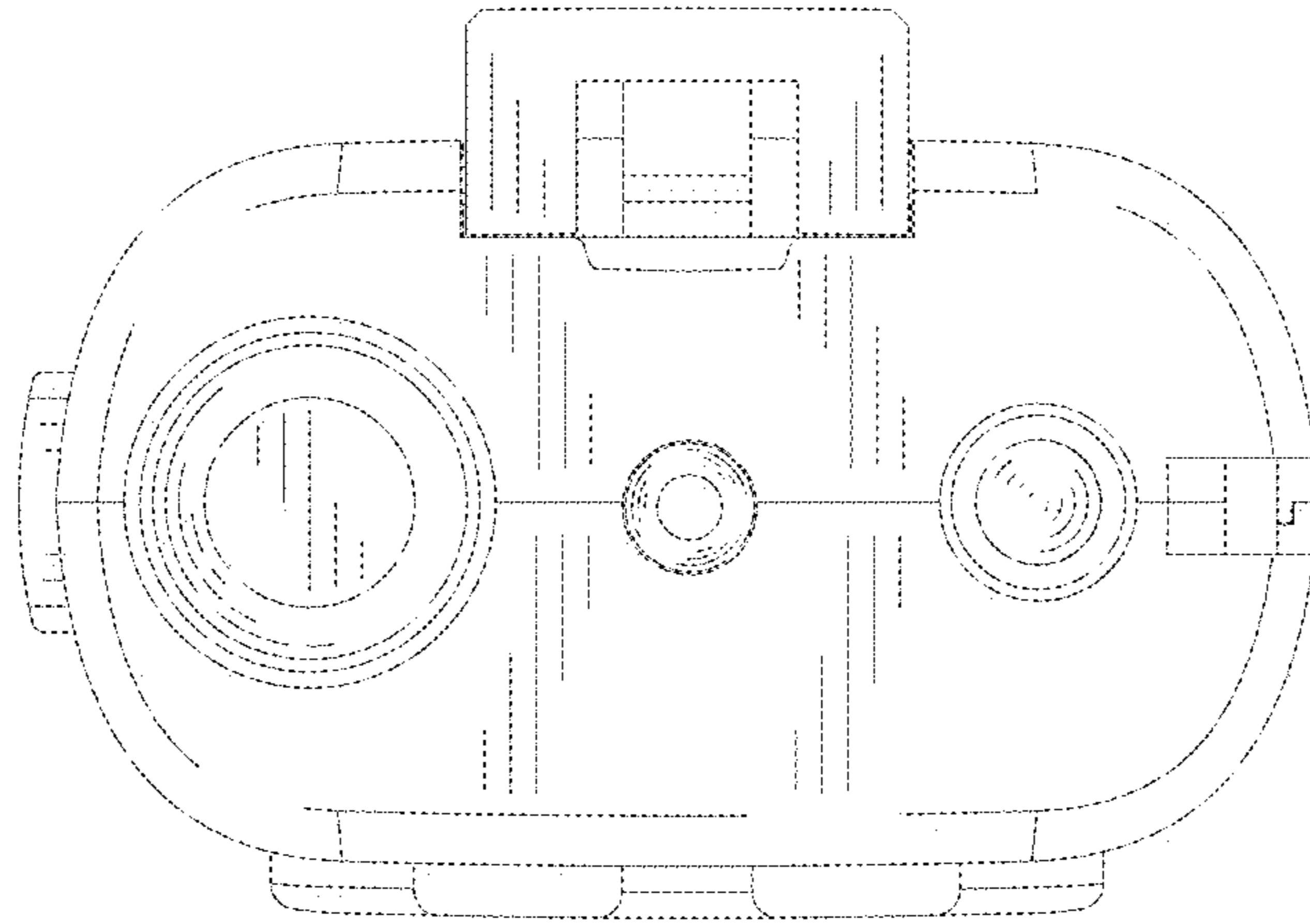


FIG. 6

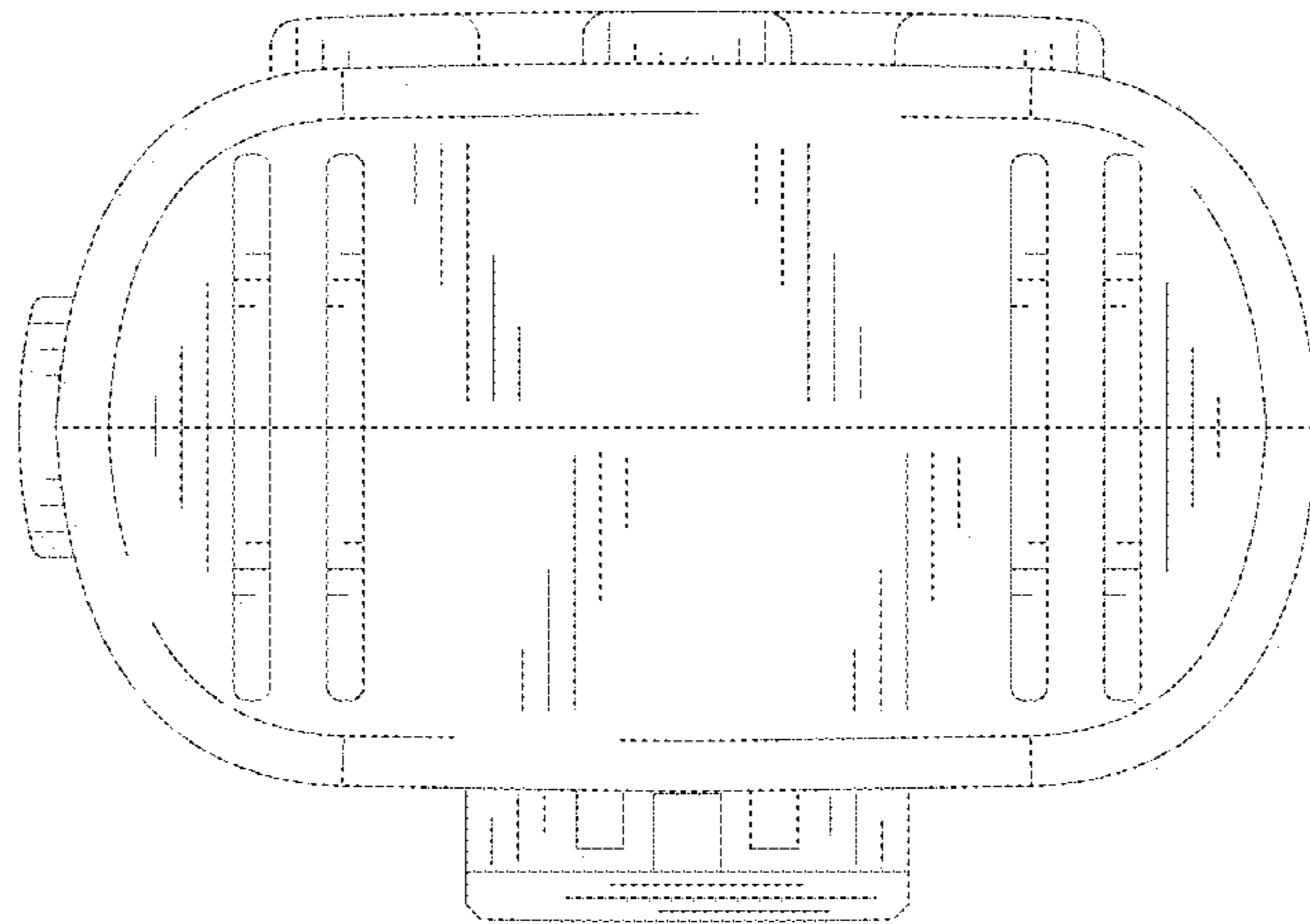


FIG. 7