



US00D973611S

(12) **United States Design Patent**
Celinski et al.

(10) **Patent No.:** **US D973,611 S**

(45) **Date of Patent:** **** Dec. 27, 2022**

(54) **PORTABLE COMMUNICATION DEVICE**

(71) Applicant: **Loose Cannon Systems, Inc.**, Ross, CA (US)

(72) Inventors: **Peter Celinski**, Ross, CA (US); **Jeanne Grafteaux**, London (GB); **Timothy Williamson**, London (GB); **Robert Wilson**, London (GB); **Maximilian Wozniak**, Carshalton (GB)

(73) Assignee: **LOOSE CANNON SYSTEMS, INC.**, Ross, CA (US)

(**) Term: **15 Years**

(21) Appl. No.: **29/741,151**

(22) Filed: **Jul. 9, 2020**

(51) **LOC (13) Cl.** **14-03**

(52) **U.S. Cl.**
USPC **D14/137**

(58) **Field of Classification Search**
USPC D14/240, 242, 358, 351, 356, 357, 125, D14/155, 162, 167, 168, 172, 175, 188, D14/195, 203.1, 203.6, 203.8, 204, 209.1, D14/216, 217, 218, 228, 299, 496, 140, D14/142, 388, 238.1, 137, 225
CPC . G06F 3/16; G06F 3/162; G06F 3/165; G06F 3/167; G10L 15/07; H04M 1/03; H04M 1/725; H04M 3/56; H04L 29/06; H04B 1/3827

See application file for complete search history.

(56) **References Cited**

U.S. PATENT DOCUMENTS

- 2,336,828 A * 12/1943 Zarth H04R 25/04 381/104
- D195,964 S * 8/1963 Spilman D14/225
- D197,466 S * 2/1964 Spilman D14/225

- D203,187 S * 12/1965 Deschamps D14/225
- D219,028 S * 10/1970 Miller et al. D14/218
- D241,854 S * 10/1976 Noyes D14/259
- D250,006 S * 10/1978 Kleiner D11/79
- D332,098 S * 12/1992 Riley D14/225
- D352,285 S * 11/1994 Khouri D14/191
- D355,915 S * 2/1995 Chan D14/225
- D370,011 S * 5/1996 Lindeman D14/137
- D375,909 S * 11/1996 Dziersk D14/218
- D376,593 S * 12/1996 Riggs D14/137
- D379,009 S * 4/1997 Osiecki D14/218
- D379,456 S * 5/1997 Osiecki D14/167
- D385,559 S * 10/1997 Conrado D14/137
- D391,572 S * 3/1998 Lee D14/223
- D392,336 S * 3/1998 Liu D21/329
- D396,722 S * 8/1998 Benedetti D14/194
- D415,131 S * 10/1999 Chang D14/433
- D417,665 S * 12/1999 Isonaga D21/328
- D422,999 S * 4/2000 Overton D14/230
- D434,401 S * 11/2000 Haase D14/137

(Continued)

Primary Examiner — Marie D. Fast Horse

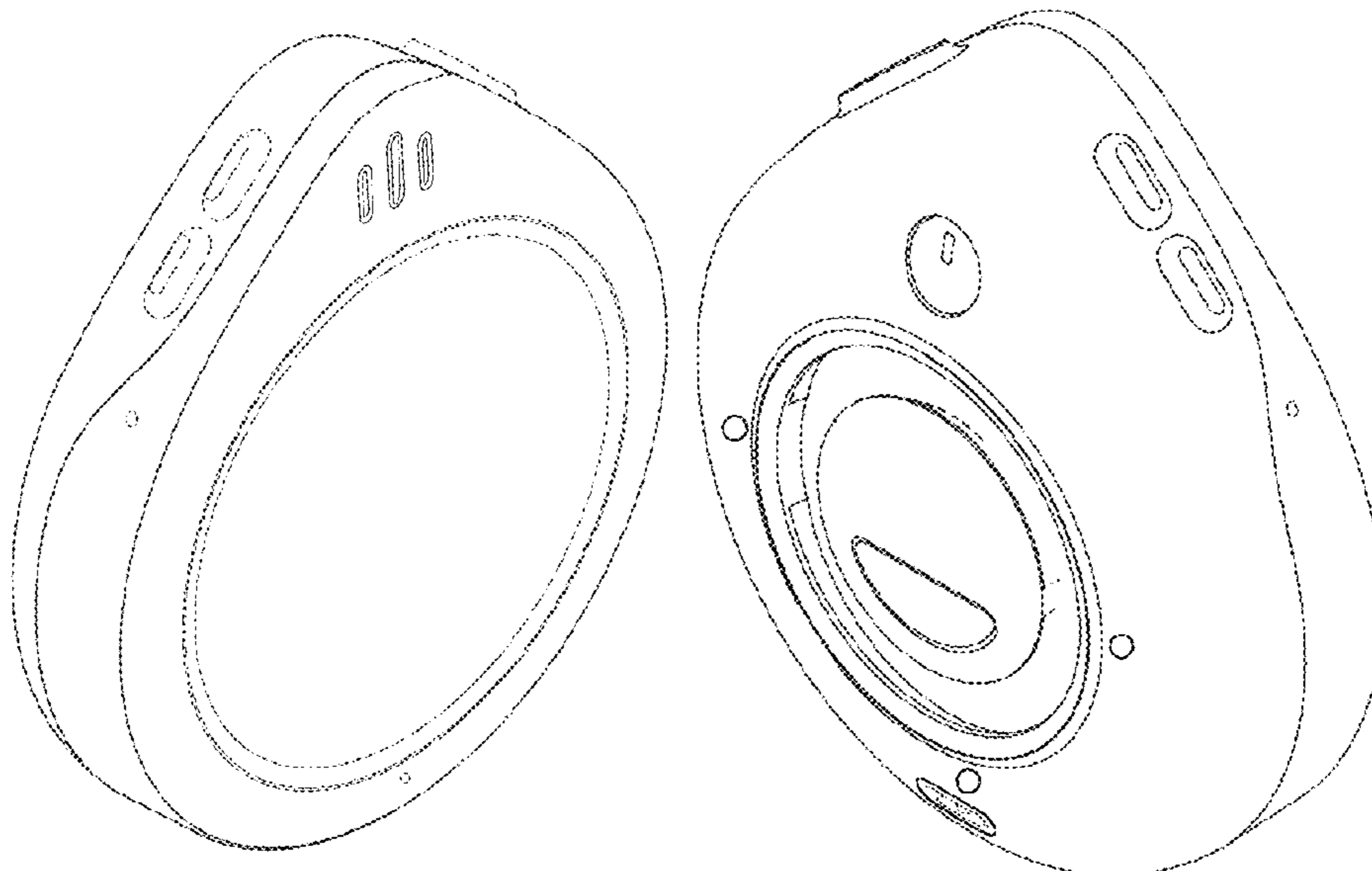
(57) **CLAIM**

We claim the ornamental design for a portable communication device, as shown and described.

DESCRIPTION

FIG. 1 is a front perspective view of an portable communication device showing our new design.
 FIG. 2 is a rear perspective view thereof.
 FIG. 3 is a front view thereof.
 FIG. 4 is a rear view thereof.
 FIG. 5 is a top view thereof.
 FIG. 6 is a bottom view thereof.
 FIG. 7 is a left side view thereof; and,
 FIG. 8 is a right side view thereof.
 The broken lines in the drawings depict portions of the portable communication device that form no part of the claimed design.

1 Claim, 3 Drawing Sheets



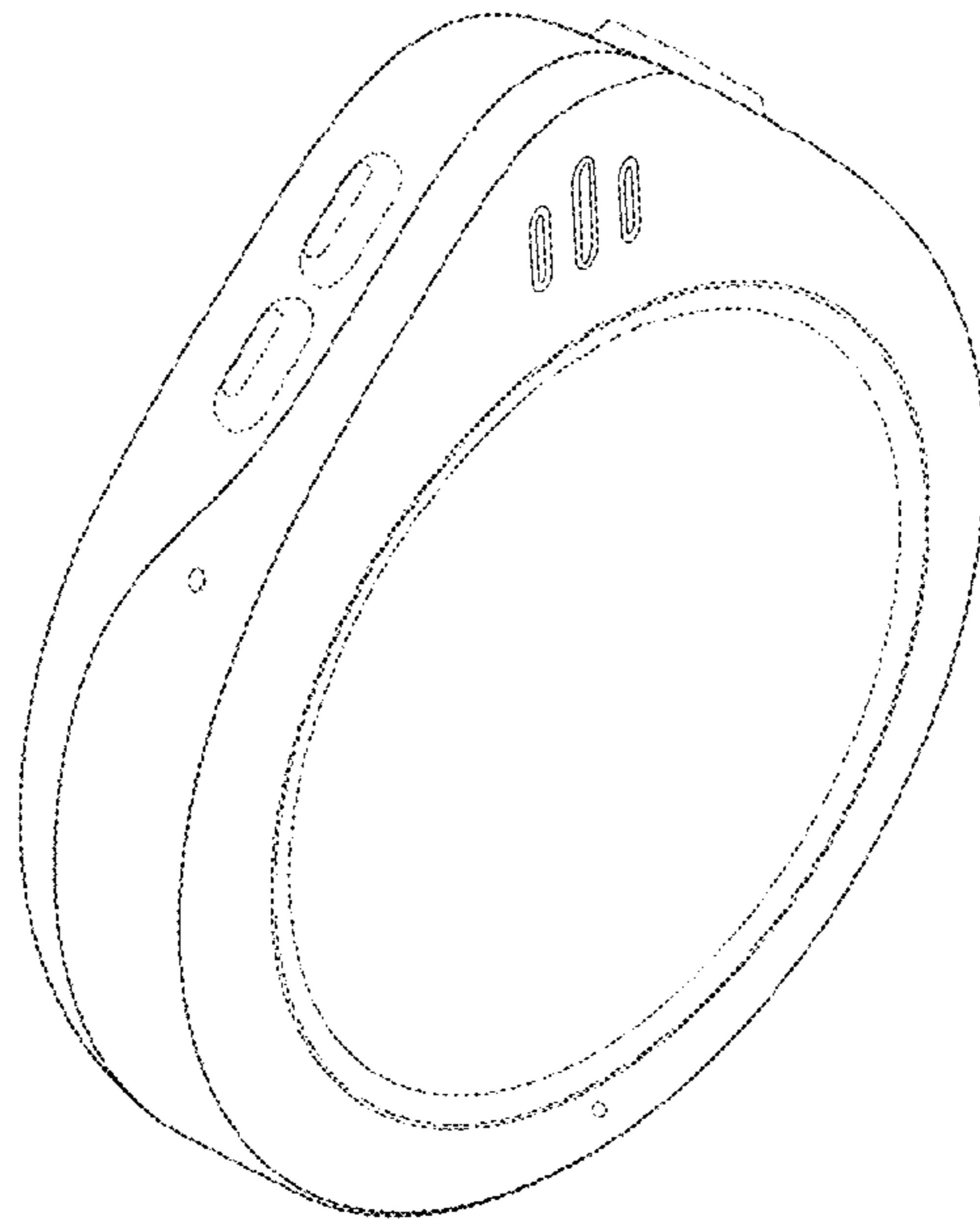


FIG. 1

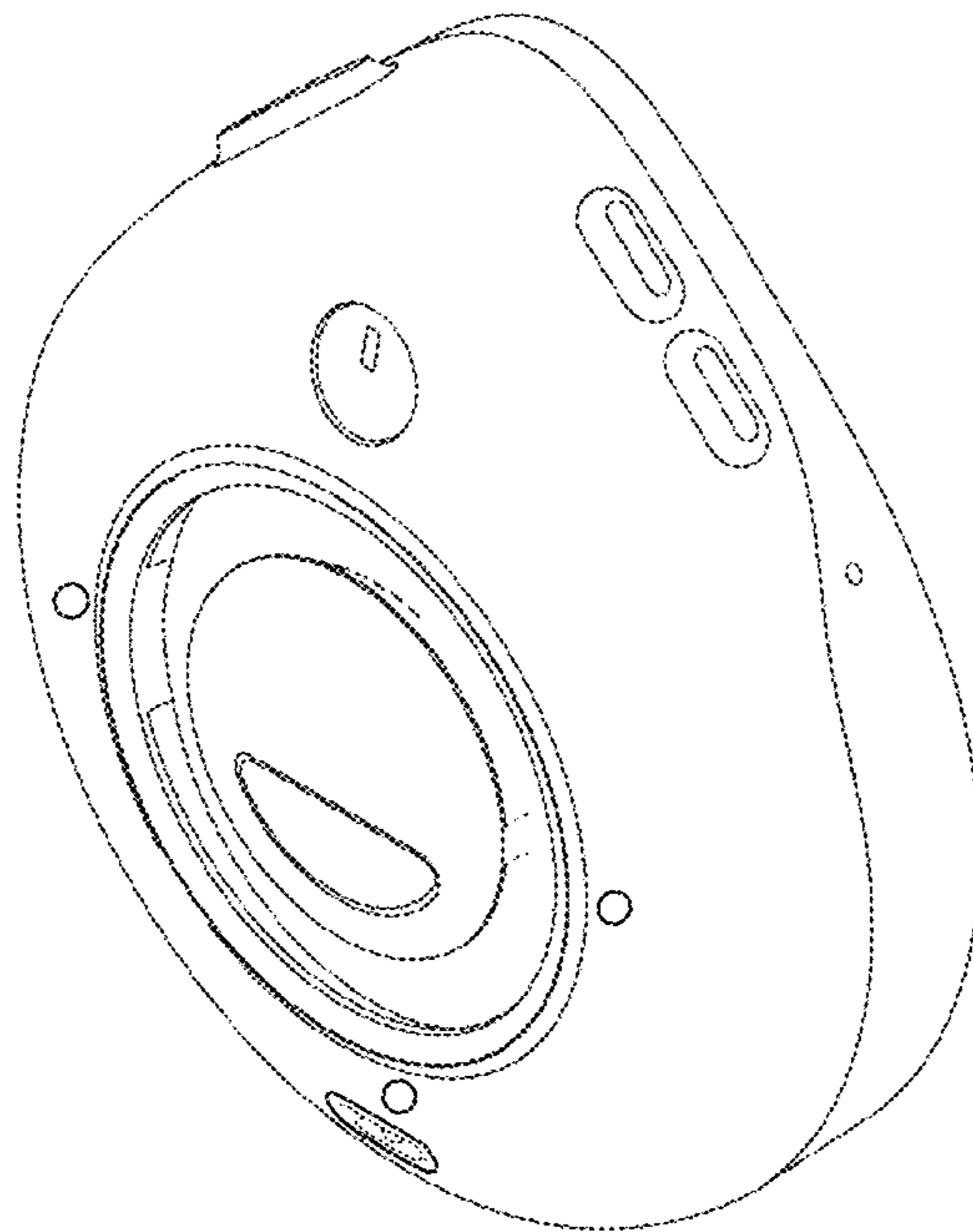


FIG. 2

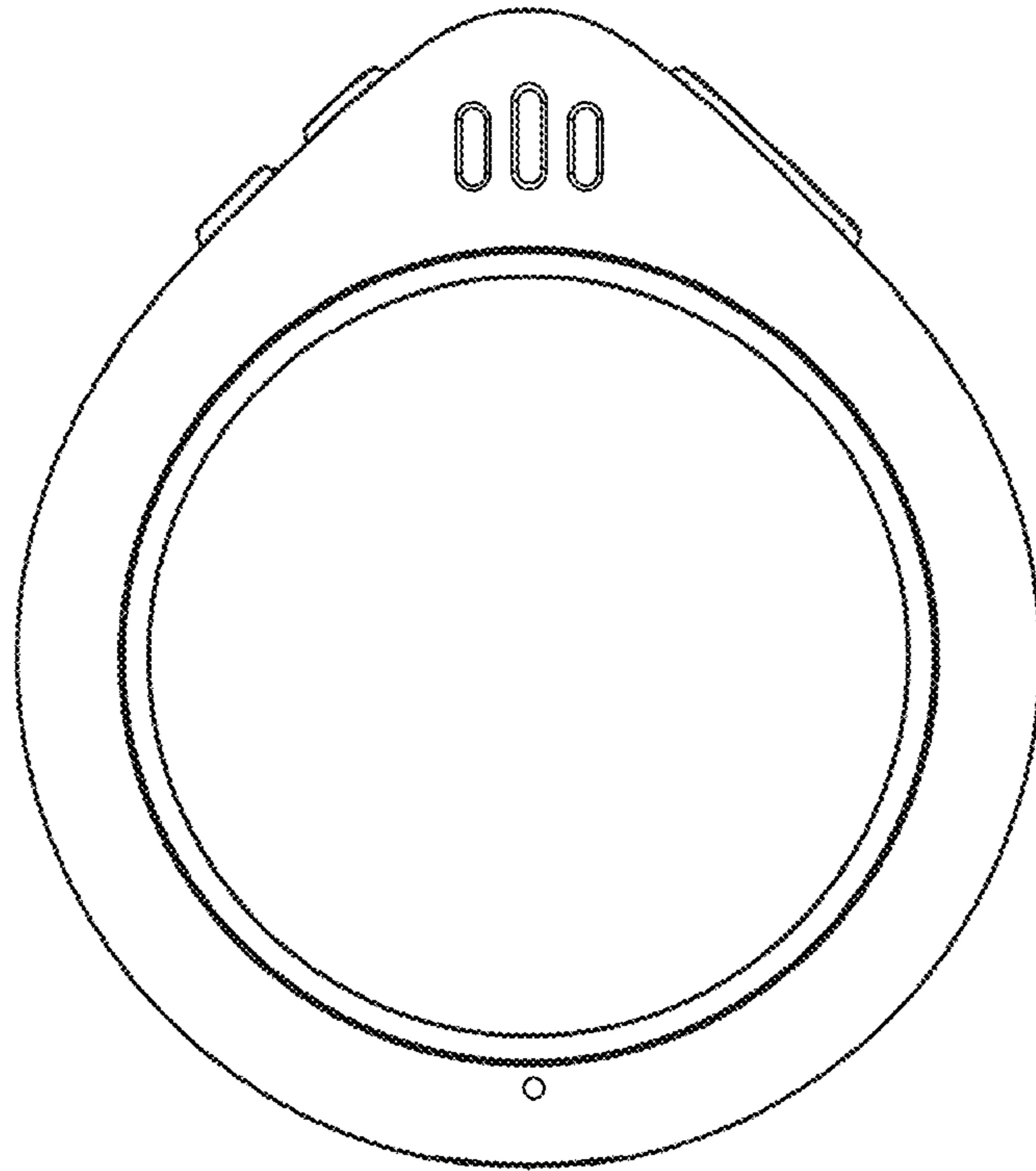


FIG. 3

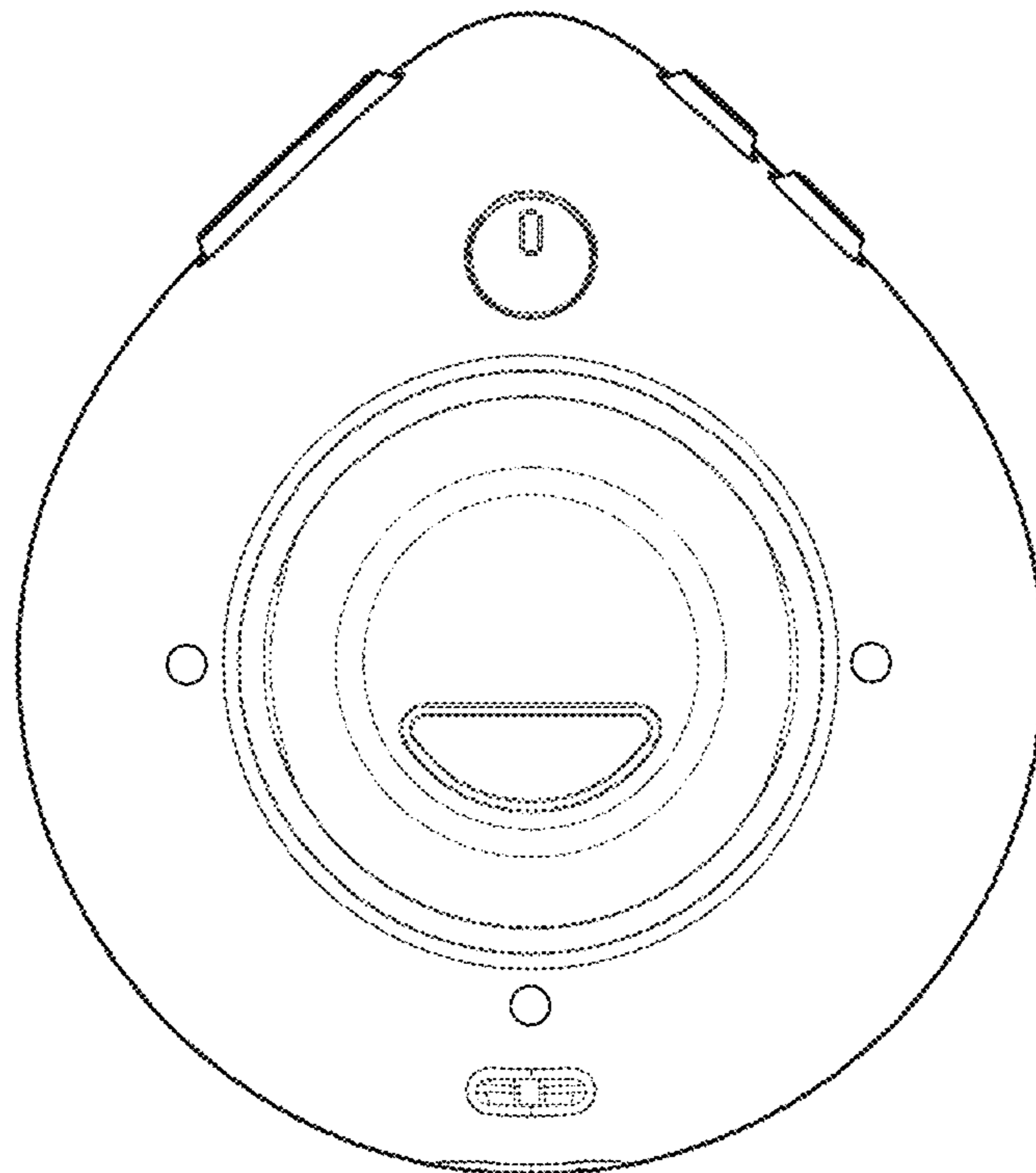


FIG. 4

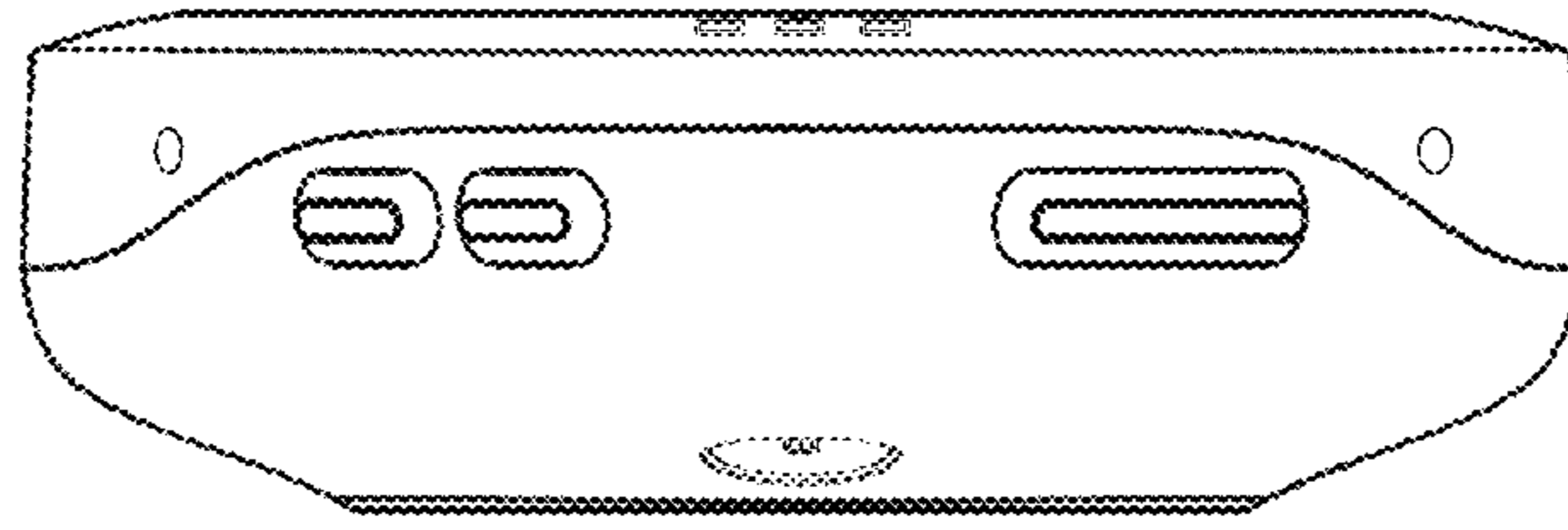


FIG. 5

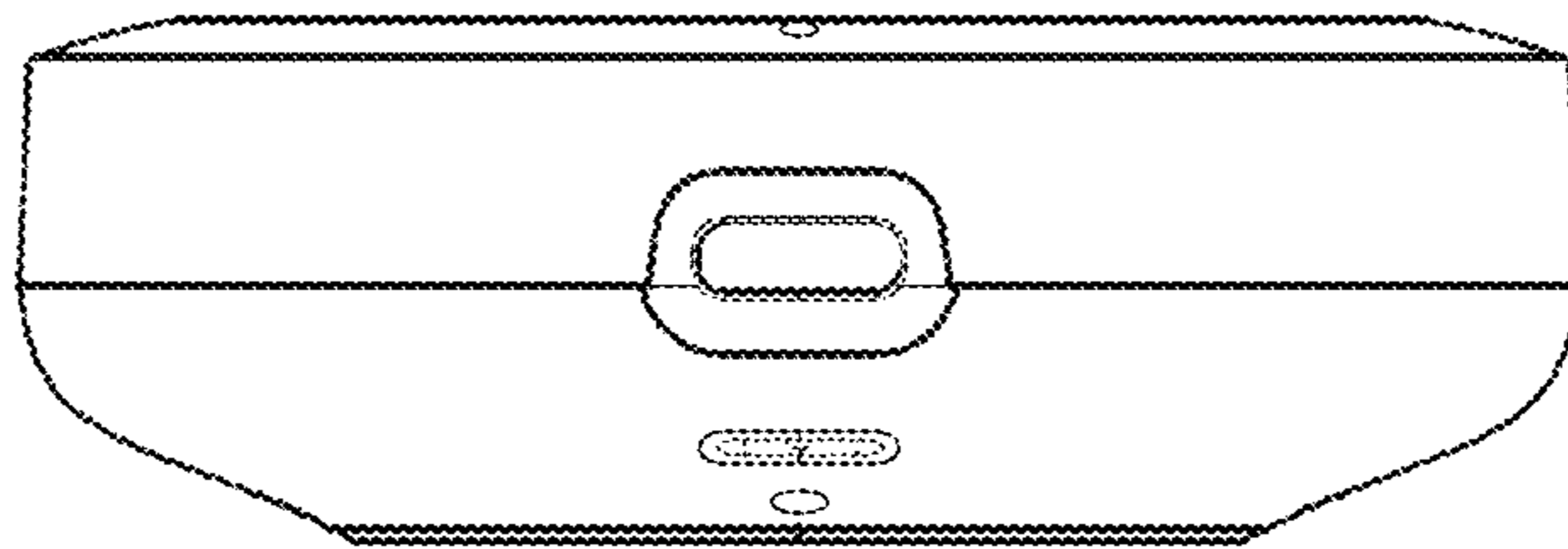


FIG. 6

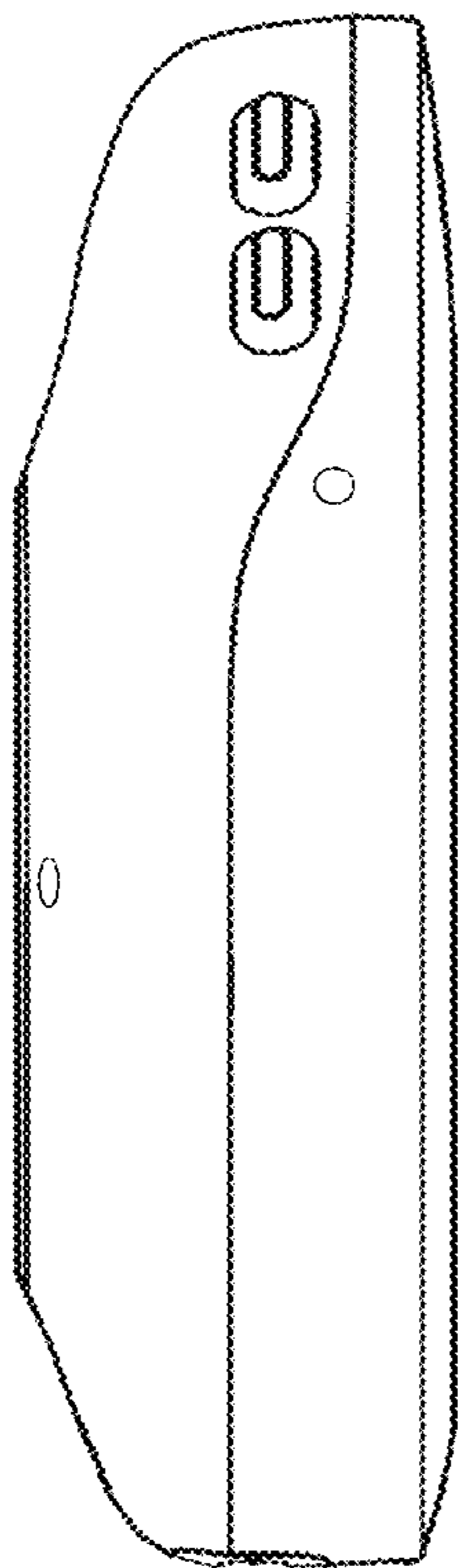


FIG. 7

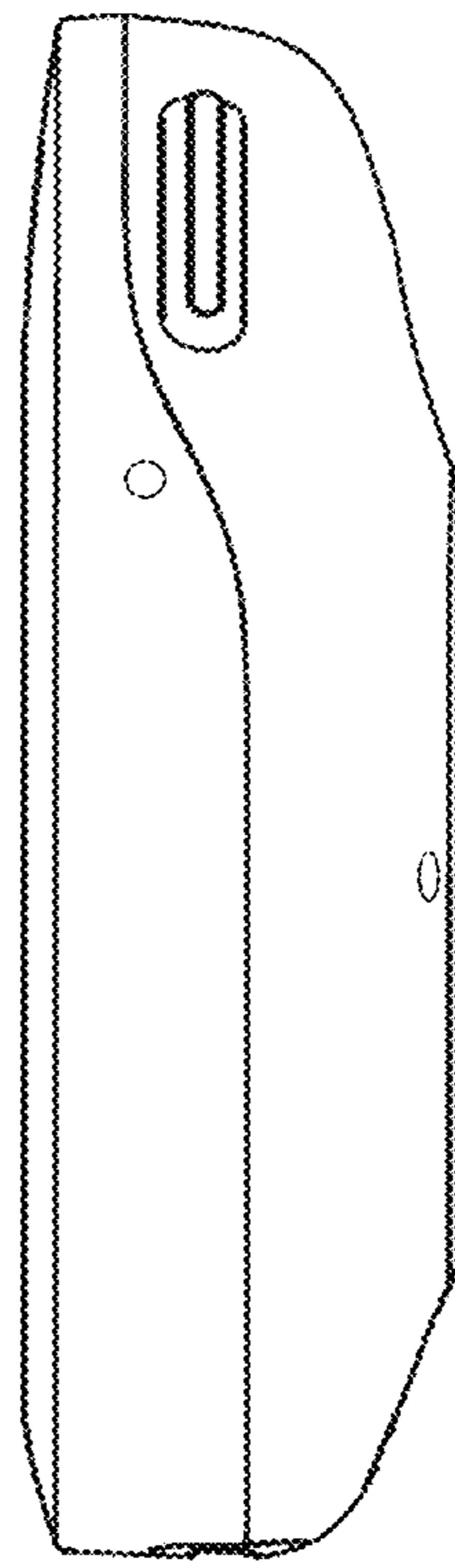


FIG. 8