



US00D973605S

(12) **United States Design Patent**
Zolfo et al.

(10) **Patent No.:** **US D973,605 S**
(45) **Date of Patent:** **** Dec. 27, 2022**

(54) **ROBOTIC ARM CONTROLLER**

(71) Applicant: **KINOVA INC.**, Boisbriand (CA)

(72) Inventors: **Romain Zolfo**, Montreal (CA);
Thomas Rouayroux, Montreal (CA);
Guillaume Chauvet,
Sainte-Anne-des-Lacs (CA);
Louis-Joseph Caron L'Ecuyer,
Blainville (CA); **Yanick Laliberte**, Ville
Mont-Royal (CA)

(73) Assignee: **KINOVA INC.**, Boisbriand (CA)

(**) Term: **15 Years**

(21) Appl. No.: **29/794,973**

(22) Filed: **Jun. 16, 2021**

(51) **LOC (13) Cl.** **13-03**

(52) **U.S. Cl.**
USPC **D13/162**; D13/184; D15/199

(58) **Field of Classification Search**
USPC D13/110, 123, 152, 162, 184; D15/199
CPC B25J 13/06; H05K 5/00; H05K 5/0021;
H05K 5/0026; H05K 5/03; H05K 5/04;
(Continued)

(56) **References Cited**

U.S. PATENT DOCUMENTS

3,901,571 A * 8/1975 Begitschke A47B 47/05
312/351
4,270,820 A * 6/1981 McMullan H02B 1/46
312/351
D308,854 S * 6/1990 Fuhrmann D13/184
(Continued)

OTHER PUBLICATIONS

KR 300624821.0000, Nov. 4, 2010; 1 pg.*
(Continued)

Primary Examiner — Selina Sikder

(74) *Attorney, Agent, or Firm* — Norton Rose Fulbright
Canada LLP

(57) **CLAIM**

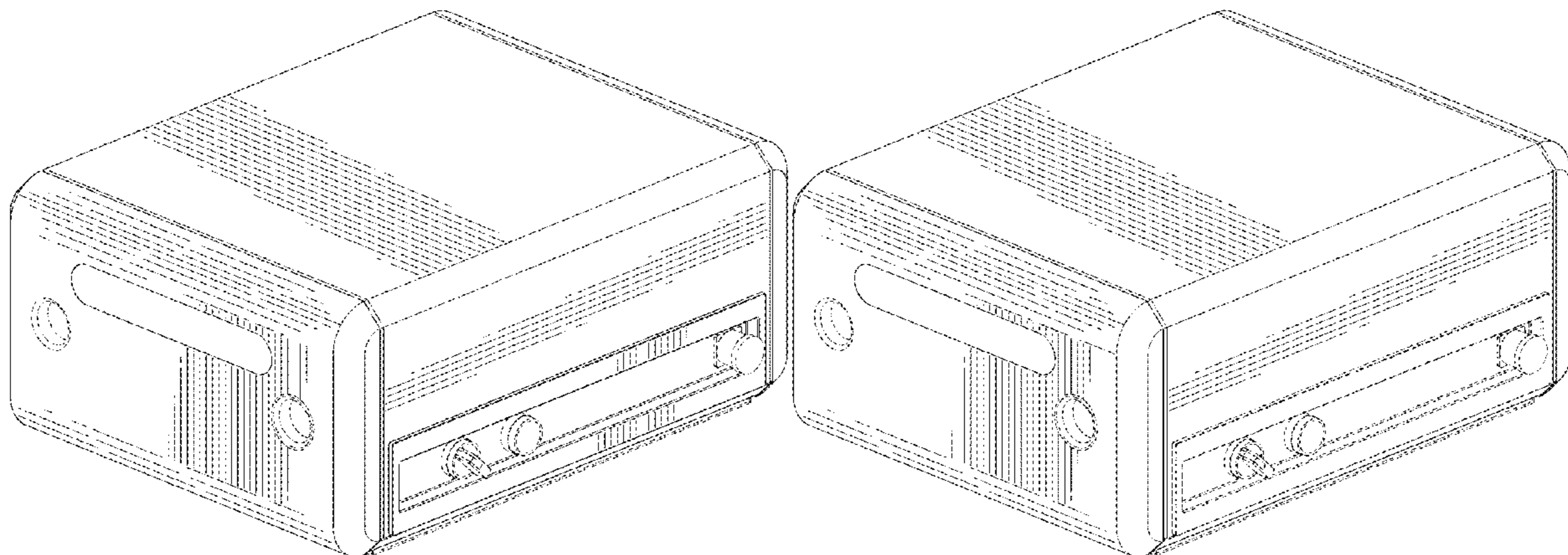
We claim the ornamental design for a robotic arm controller,
as shown and described.

DESCRIPTION

FIG. 1 is an isometric view of a robotic arm controller in
accordance with a first variant of the present disclosure;
FIG. 2 is a front view of the robotic arm controller of FIG.
1;
FIG. 3 is a rear view of the robotic arm controller of FIG. 1;
FIG. 4 is a first side view of the robotic arm controller of
FIG. 1;
FIG. 5 is a second side view of the robotic arm controller of
FIG. 1;
FIG. 6 is a top view of the robotic arm controller of FIG. 1;
FIG. 7 is a bottom view of the robotic arm controller of FIG.
1;
FIG. 8 is an isometric view of a robotic arm controller in
accordance with a second variant of the present disclosure;
FIG. 9 is a front view of the robotic arm controller of FIG.
8;
FIG. 10 is a rear view of the robotic arm controller of FIG.
8;
FIG. 11 is a first side view of the robotic arm controller of
FIG. 8;
FIG. 12 is a second side view of the robotic arm controller
of FIG. 8;
FIG. 13 is a top view of the robotic arm controller of FIG.
8; and,
FIG. 14 is a bottom view of the robotic arm controller of
FIG. 8.

The broken line portions are included to show environmen-
tal unclaimed subject matter only and form no part of the
claimed design.

1 Claim, 14 Drawing Sheets



(58) **Field of Classification Search**
 CPC H05K 5/06; H05K 7/1462; H05K 7/1472;
 H01R 13/514; H01R 13/639
 See application file for complete search history.

(56) **References Cited**

U.S. PATENT DOCUMENTS

D346,806 S * 5/1994 Chong D13/184
 D400,513 S * 11/1998 Seirio D13/184
 D408,812 S * 4/1999 Danis D14/137
 D473,200 S * 4/2003 Isshiki D14/499
 6,705,688 B2 * 3/2004 Tobishima G11B 33/027
 720/647
 D539,735 S * 4/2007 Suckle D13/110
 D606,937 S * 12/2009 Brookshire D13/110
 D648,676 S * 11/2011 Brookshire D13/110
 D682,218 S * 5/2013 Takata D13/152
 D700,923 S * 3/2014 Lin D15/199
 D701,546 S * 3/2014 Lin D15/199
 D702,271 S * 4/2014 Lin D15/199
 D730,305 S * 5/2015 Brunn D13/184
 D764,460 S * 8/2016 Veja D14/358
 D812,663 S * 3/2018 Waters D15/199
 D836,550 S * 12/2018 Beer D13/110
 D840,953 S * 2/2019 Yan D13/162
 D846,536 S * 4/2019 Ebrahimi Afrouzi D14/230
 D853,338 S * 7/2019 Tanabe D13/162

D873,780 S * 1/2020 Yan D13/162
 D911,990 S * 3/2021 Wu D13/184
 D936,001 S * 11/2021 Tyson D13/184
 D937,787 S * 12/2021 Wappler D13/184
 D937,788 S * 12/2021 Doyle D13/184
 D937,839 S * 12/2021 Wu D14/434
 D949,113 S * 4/2022 Dai D13/184
 11,338,442 B2 * 5/2022 Ogawara B25J 9/1633
 D954,668 S * 6/2022 Feurtado D13/133
 2005/0055130 A1 * 3/2005 Carlson B25J 9/1689
 700/245
 2015/0091419 A1 * 4/2015 Joist H05K 5/04
 312/223.1
 2016/0073517 A1 * 3/2016 Mukado H05K 5/0008
 361/752
 2016/0120044 A1 * 4/2016 Chitaka H05K 7/14
 361/756
 2018/0339414 A1 * 11/2018 Taguchi B25J 19/028
 2019/0104629 A1 * 4/2019 Liu H05K 7/20009
 2022/0022333 A1 * 1/2022 Oe H05K 5/03

OTHER PUBLICATIONS

CN 306914022, May 20, 2021; 1 pg.*
 CN 306440033, Nov. 5, 2020; 1 pg.*
 KR 301086146.0000, Mar. 13, 2020, 1 pg.*

* cited by examiner

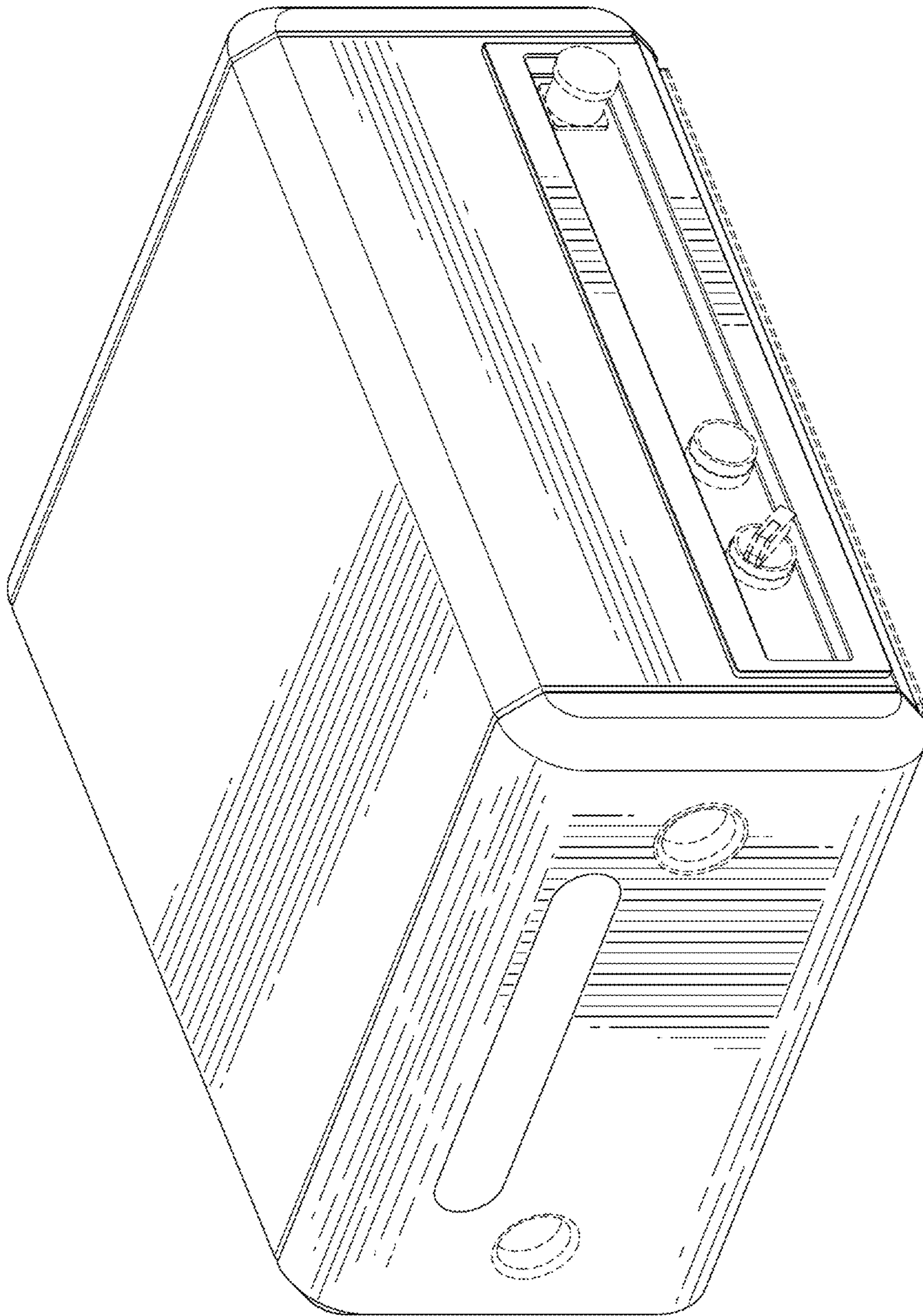


FIG. 1

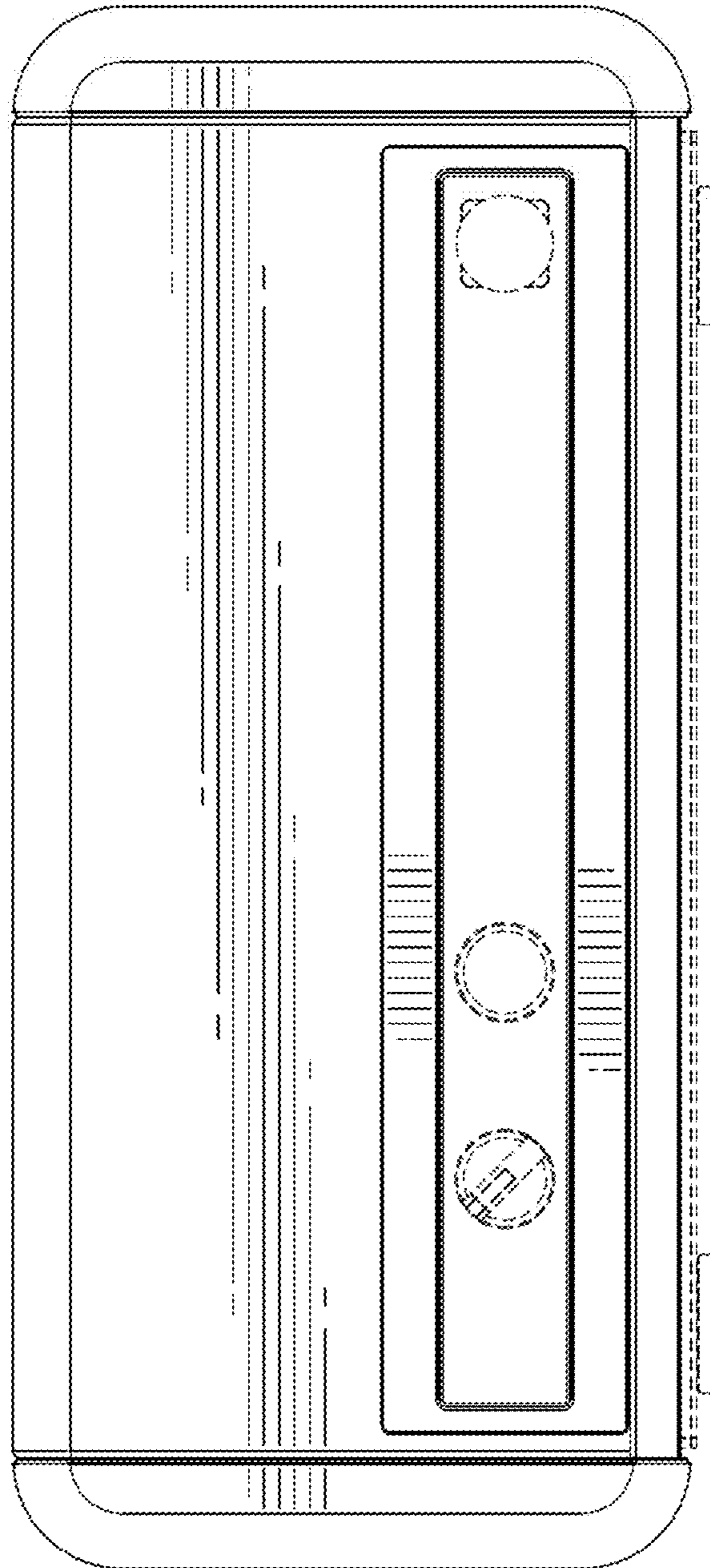


FIG. 2

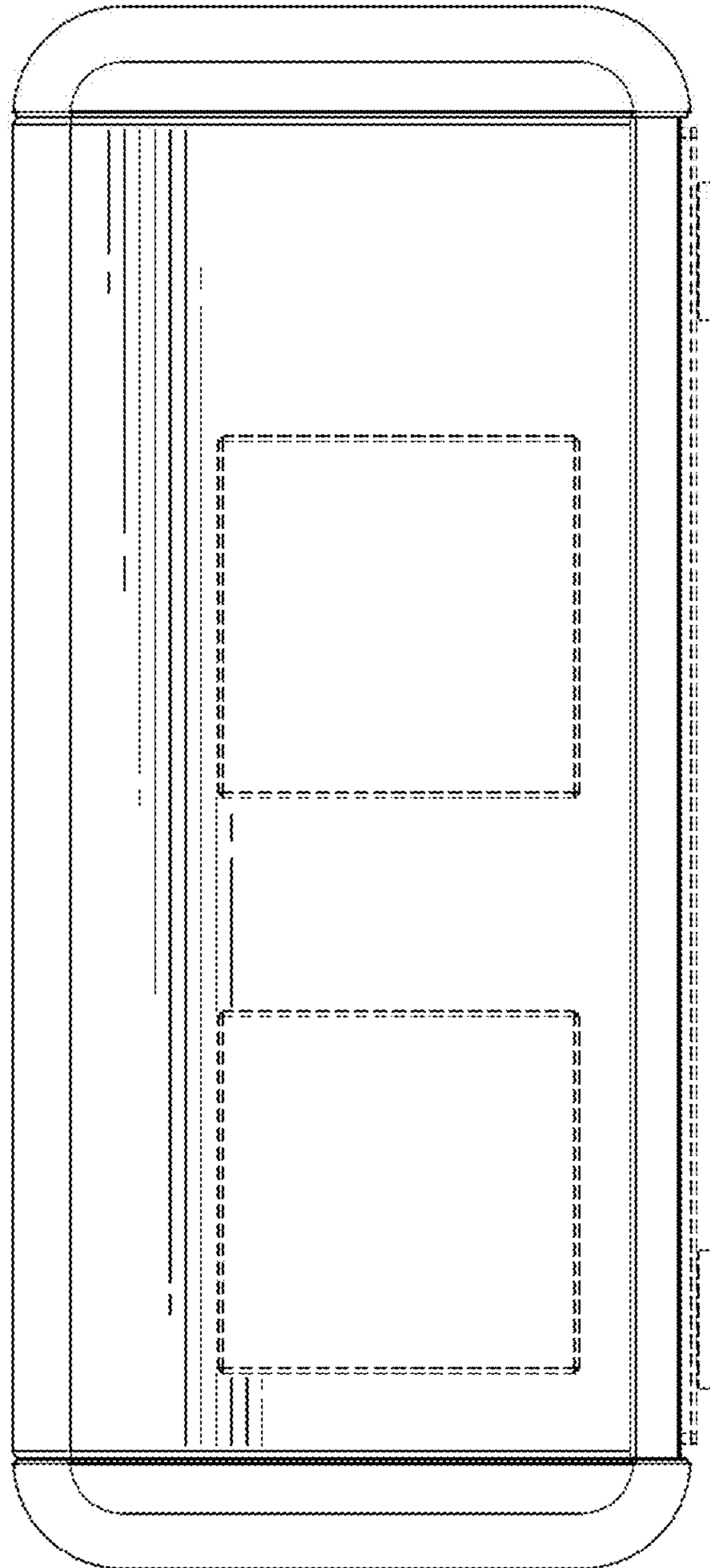


FIG. 3

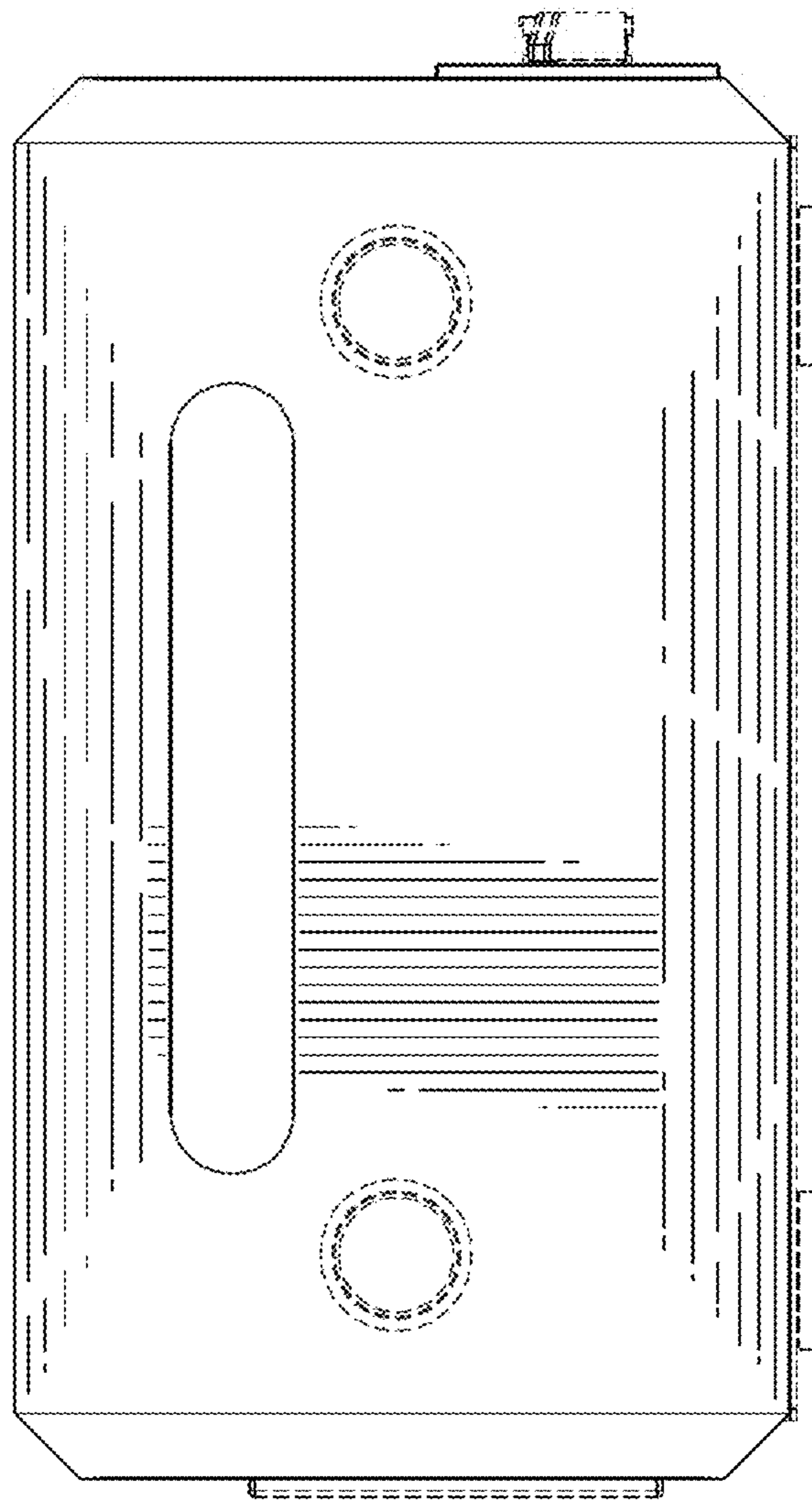


FIG. 4

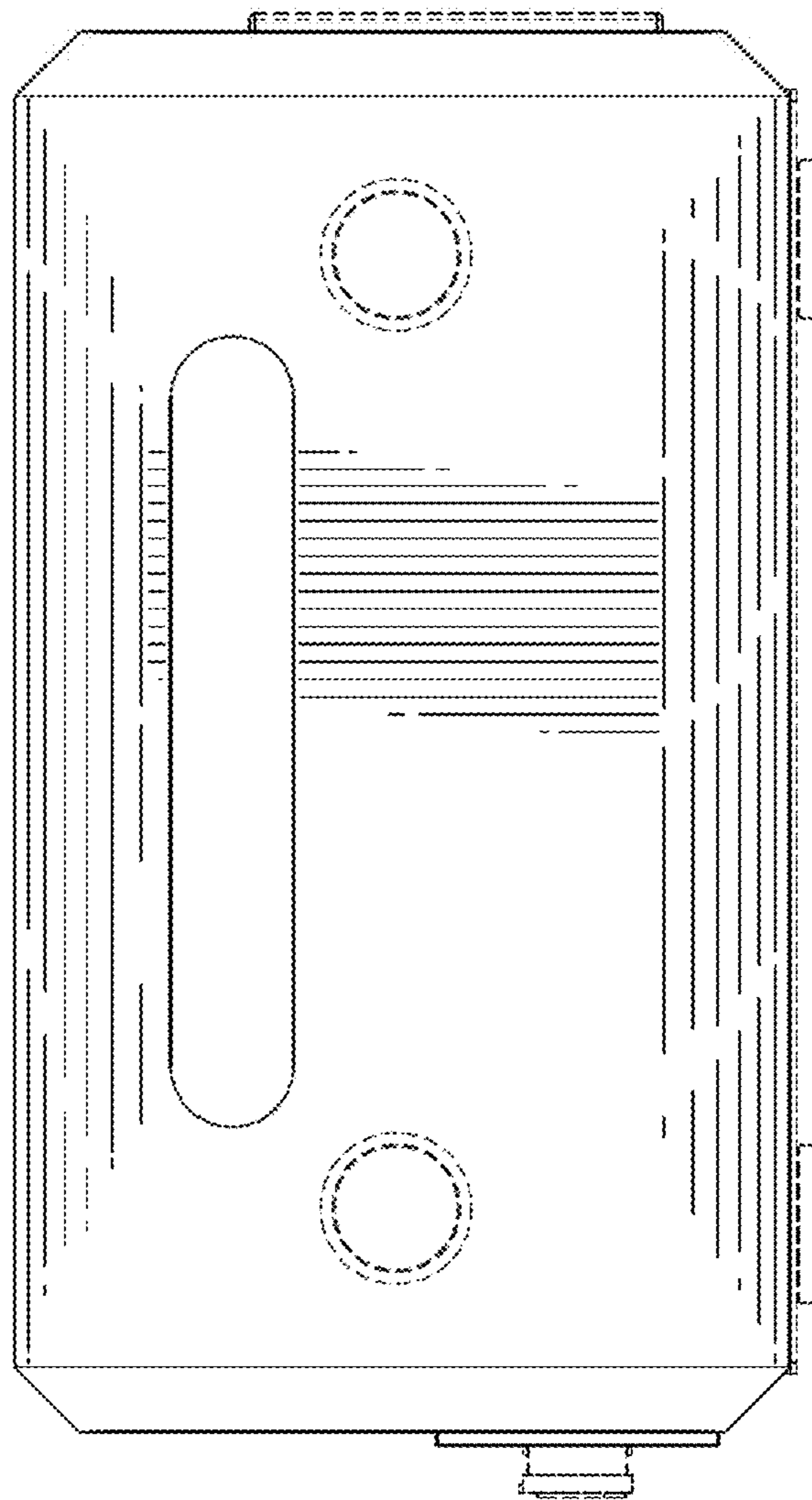


FIG. 5

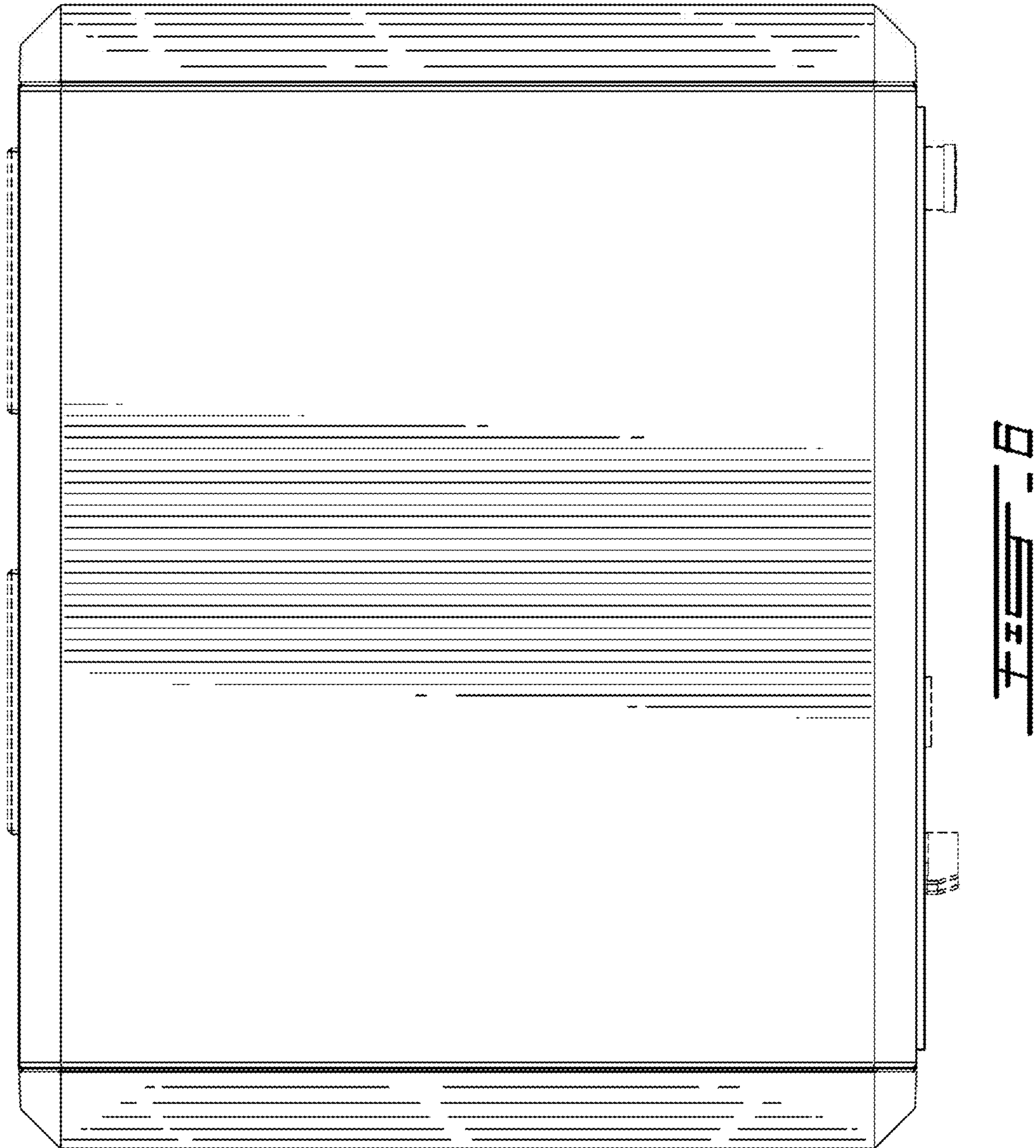


FIG. 6

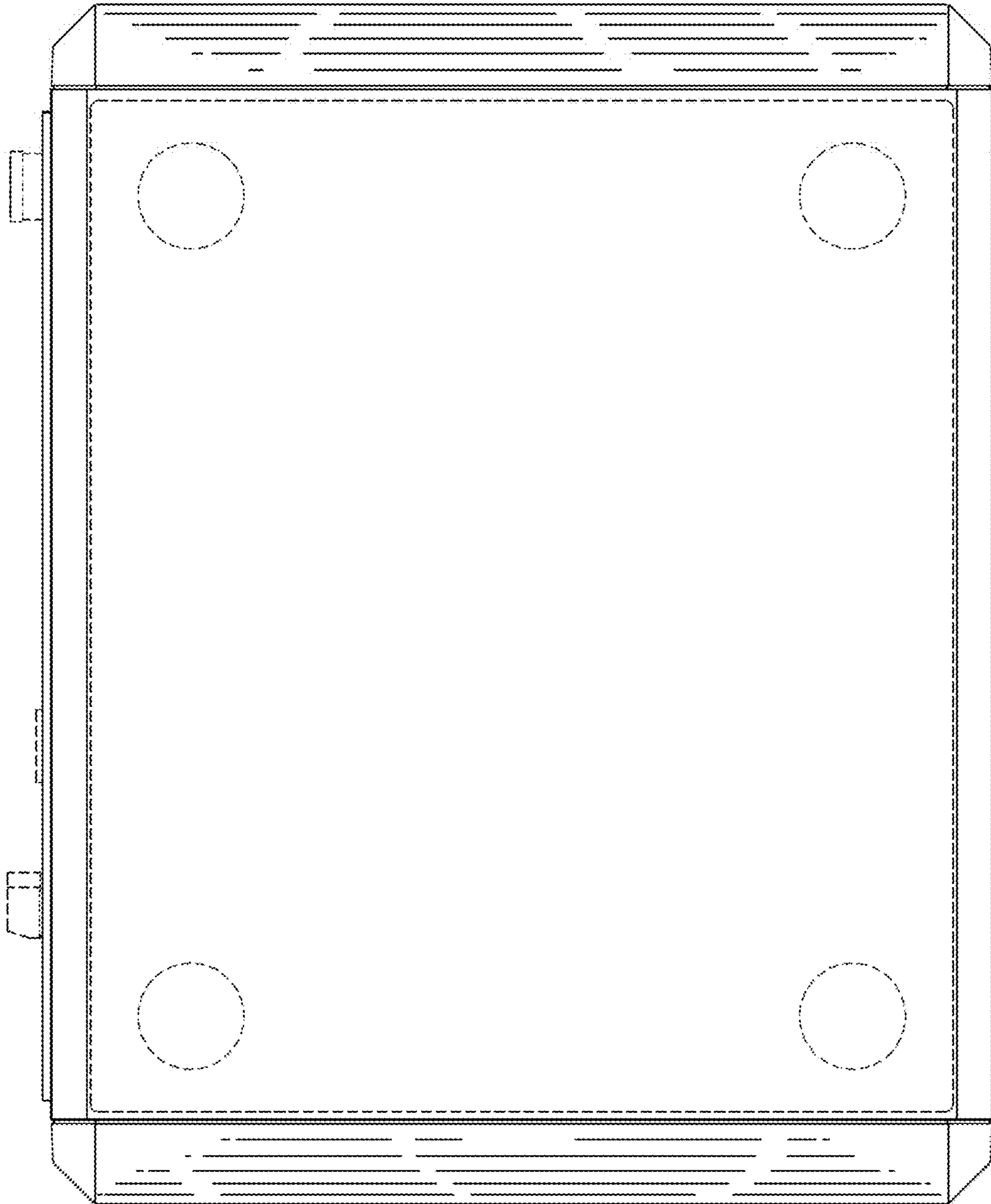


FIG. 7

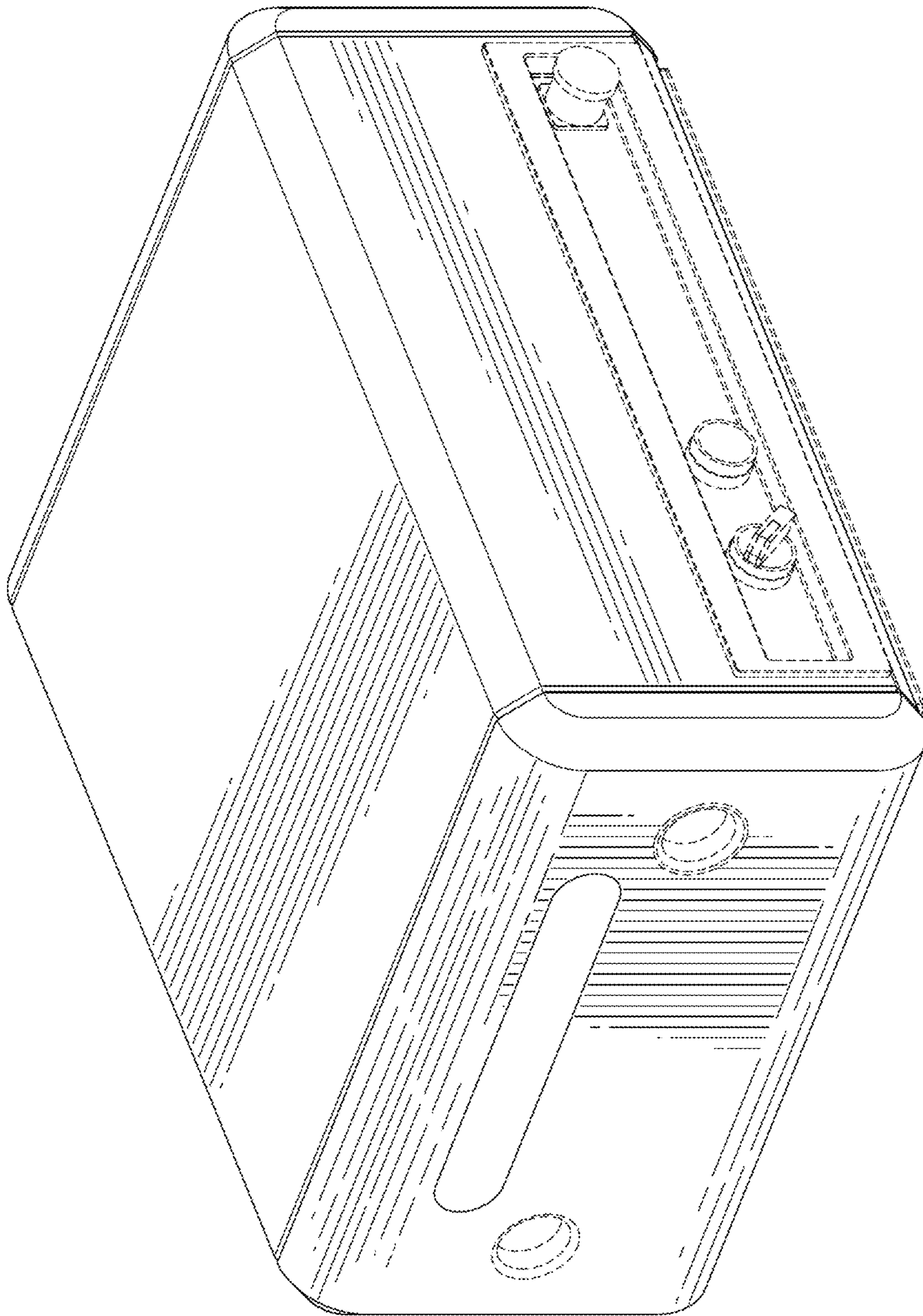


FIG. 8

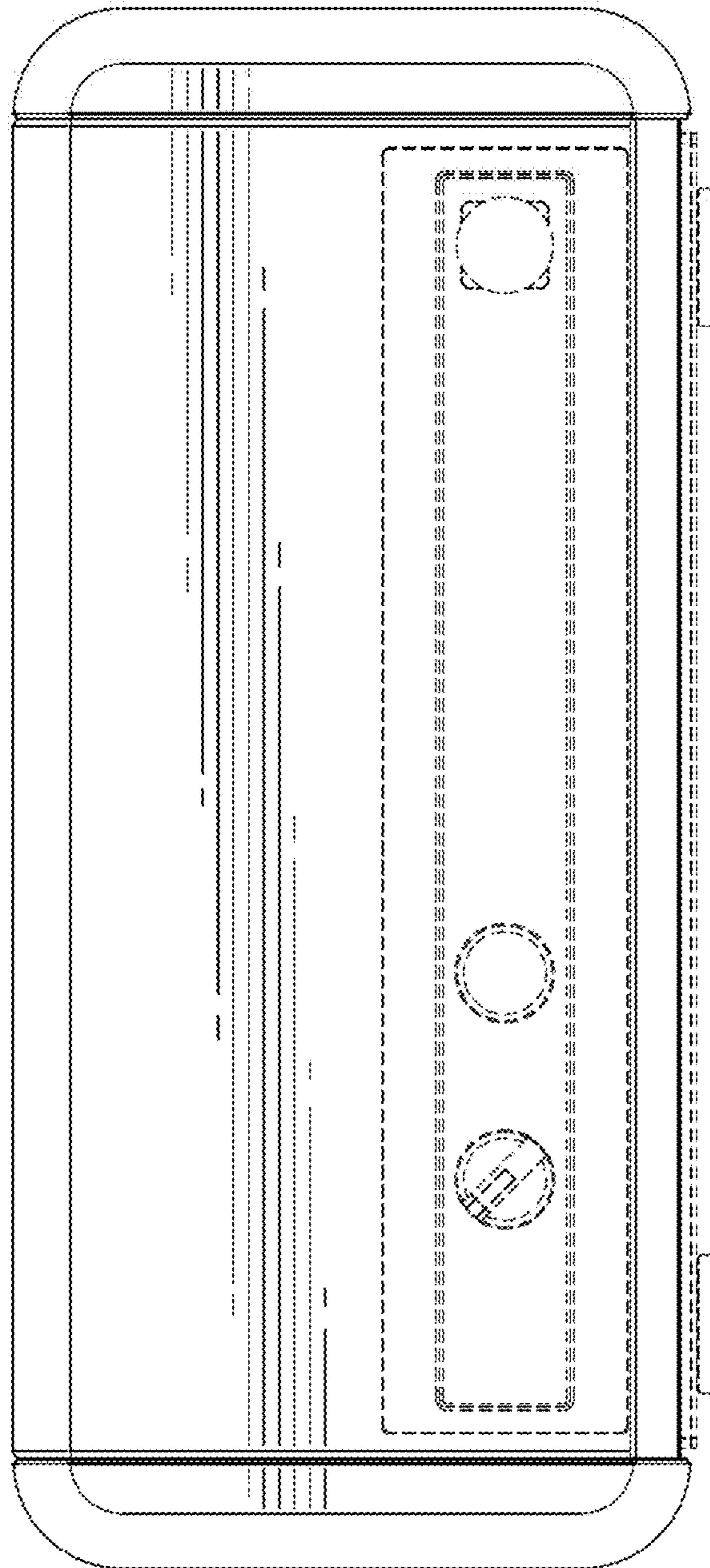


FIG. 9

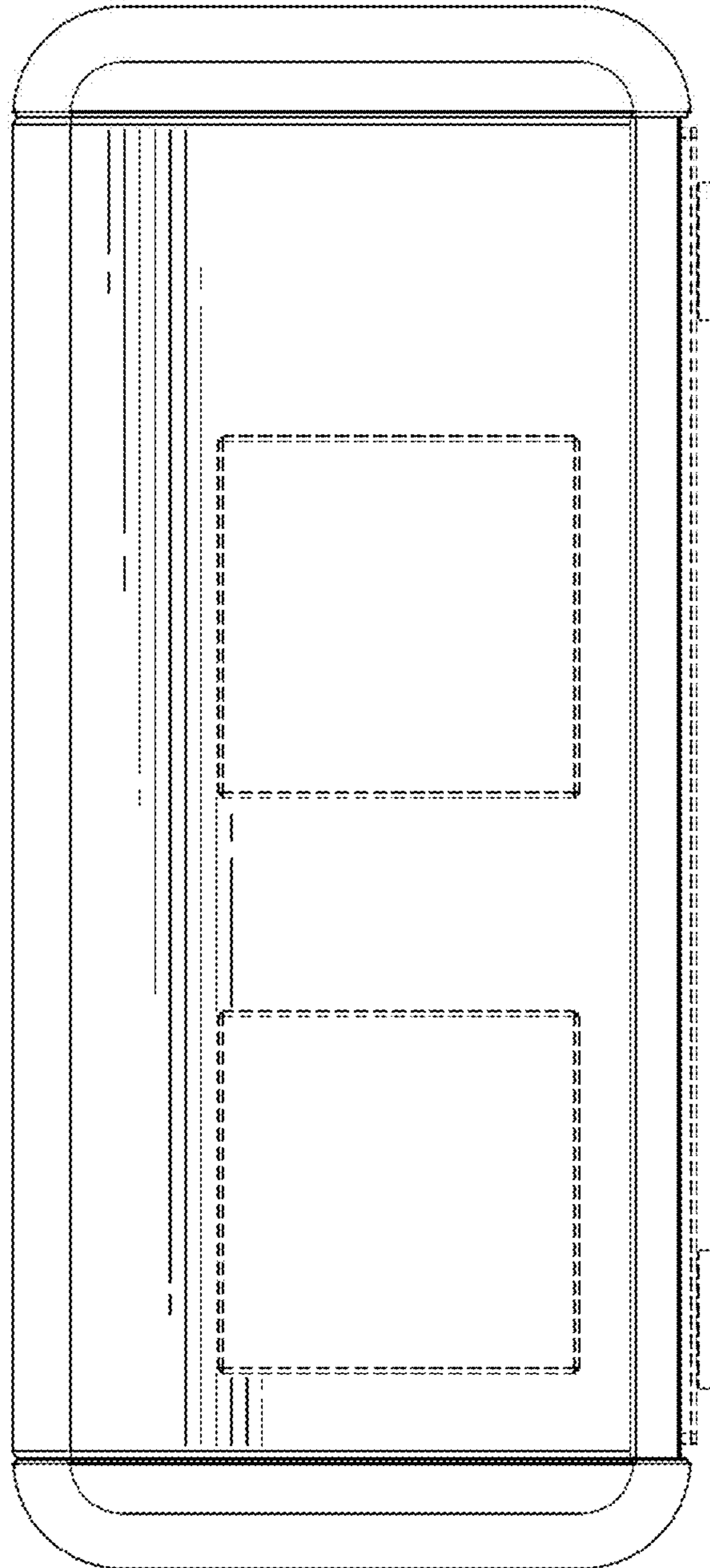


FIG. 10

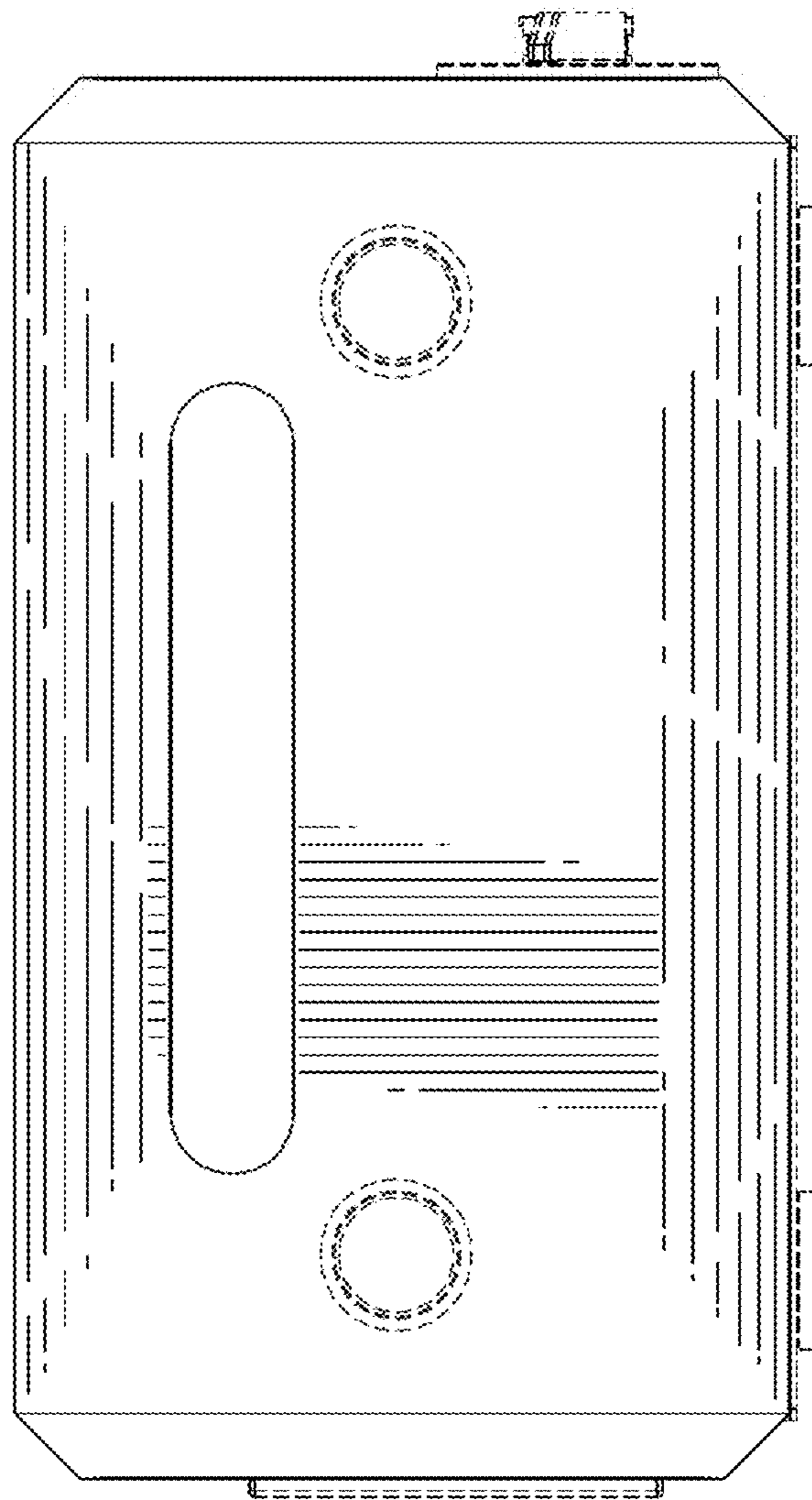


FIG. 11

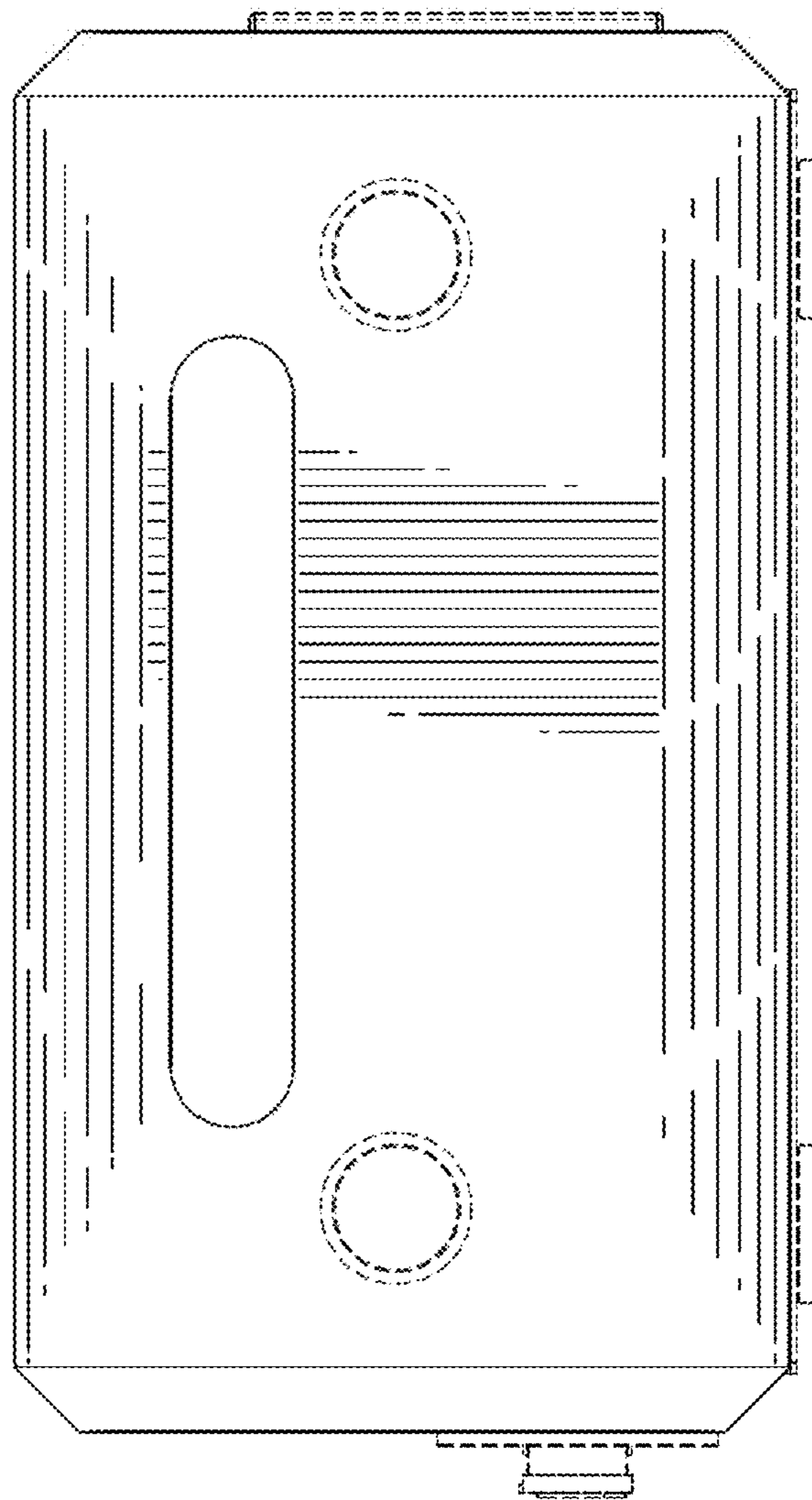


FIG. 12

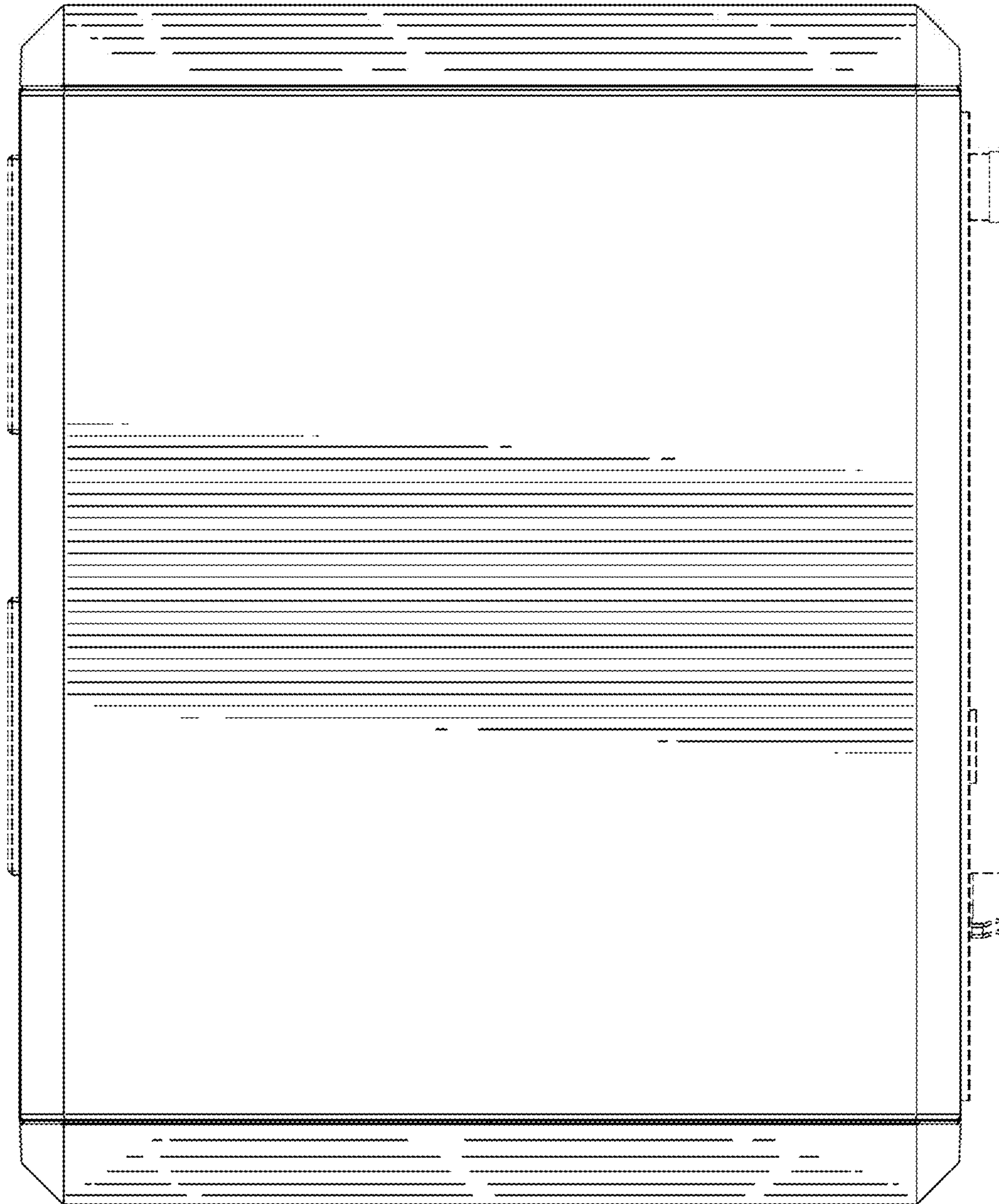


FIG. 13

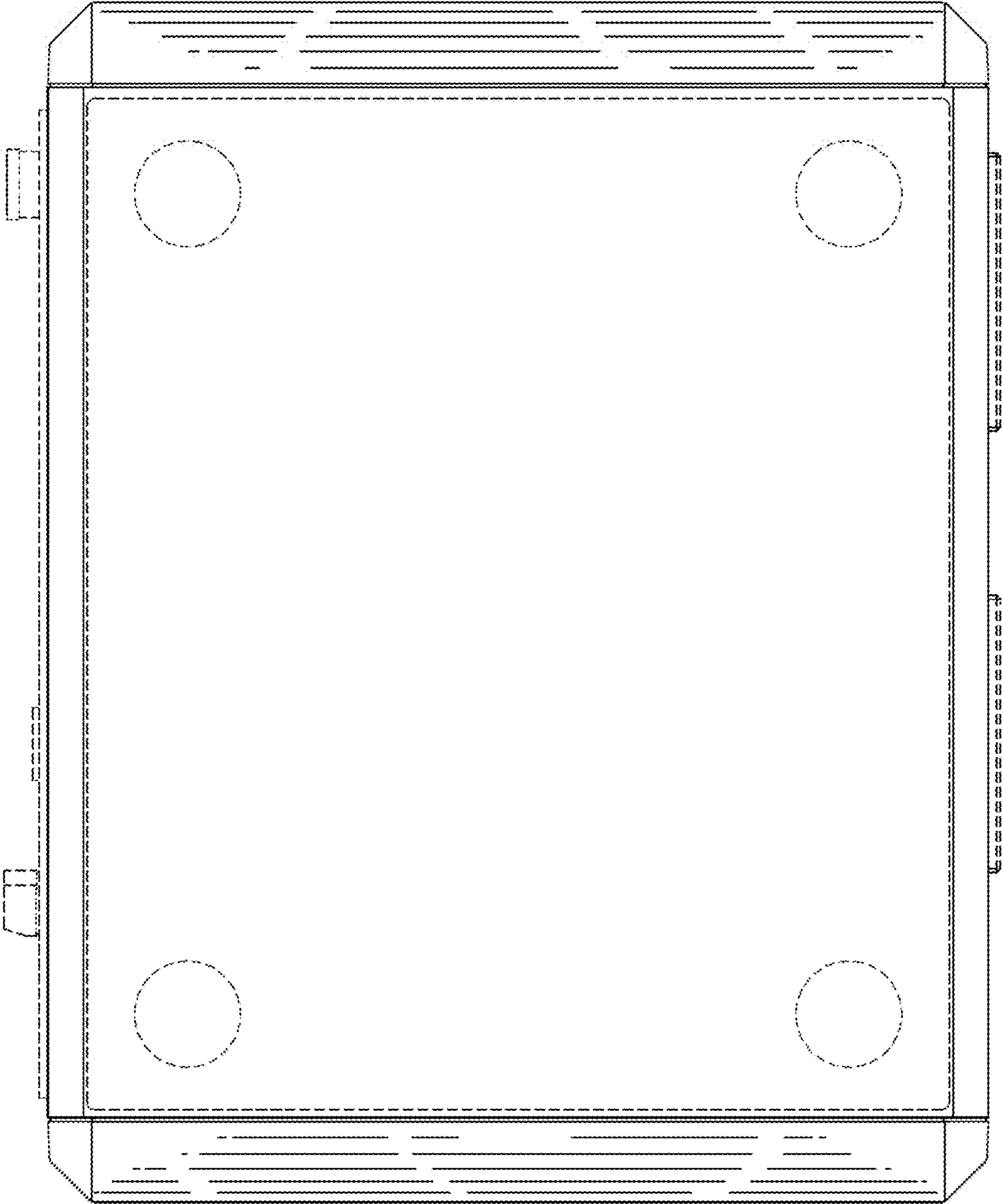


FIG. 14