



US00D973601S

(12) **United States Design Patent**
Ding et al.

(10) **Patent No.:** **US D973,601 S**

(45) **Date of Patent:** **** Dec. 27, 2022**

(54) **PROTECTIVE COVER FOR SWITCH ON A POWER STRIP**

D842,827 S * 3/2019 Lanter, Jr. D13/184
D897,975 S * 10/2020 Lanter, Jr. D13/184

(71) Applicant: **Dongguan Keben Electrical appliance Co., Ltd.**, Dongguan (CN)

* cited by examiner

Primary Examiner — Jennifer O King

(72) Inventors: **Sheng Ding**, Dongguan (CN); **Li Qin Ye**, Dongguan (CN)

(74) *Attorney, Agent, or Firm* — Lin & Associates Intellectual Property, Inc.

(73) Assignee: **Dongguan Keben Electrical Appliance Co., Ltd.**, Dongguan (CN)

(57) **CLAIM**

The ornamental design for a protective cover for a switch on a power strip, as shown and described.

(**) Term: **15 Years**

DESCRIPTION

(21) Appl. No.: **29/757,071**

FIG. 1 is a perspective view of a protective cover for a switch on a power strip showing our new design;

(22) Filed: **Nov. 3, 2020**

FIG. 2 is a front elevational view thereof;

(51) **LOC (13) Cl.** **13-03**

FIG. 3 is a rear elevational view thereof;

(52) **U.S. Cl.**

FIG. 4 is a left elevational view thereof;

USPC **D13/156**

FIG. 5 is a right elevational view thereof;

(58) **Field of Classification Search**

FIG. 6 is a top view thereof;

USPC D13/155, 156, 110; D8/353, 356

FIG. 7 is a bottom view thereof;

See application file for complete search history.

FIG. 8 is a perspective view of the protective cover for the switch on the power strip viewed from another direction;

(56) **References Cited**

FIG. 9 is a cross-sectional view taken along line 9-9 of FIG. 6;

U.S. PATENT DOCUMENTS

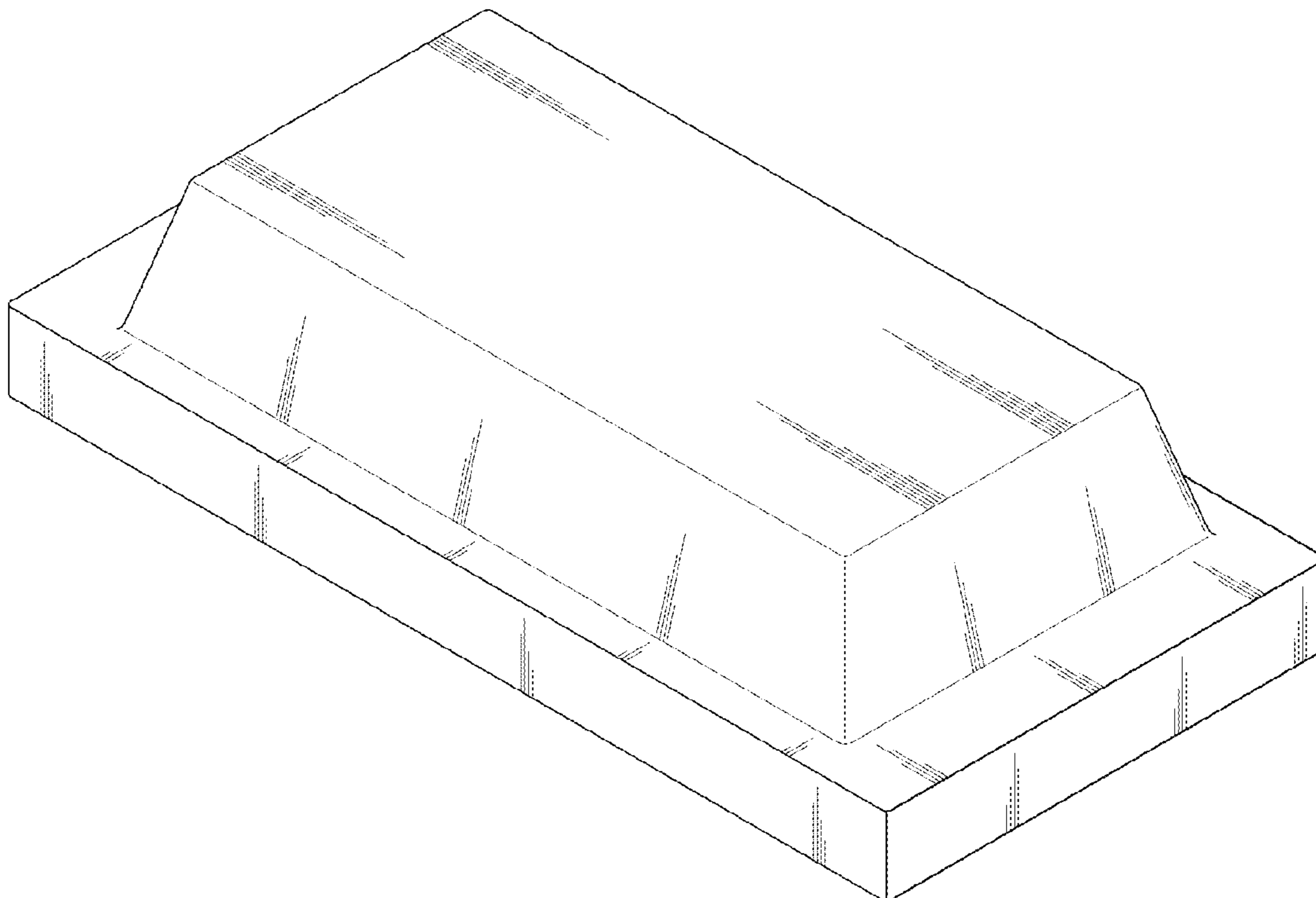
- D261,135 S * 10/1981 Horne 174/67
- D342,235 S * 12/1993 Shotey D13/156
- D450,665 S * 11/2001 Isely D13/184
- D577,986 S * 10/2008 Jarvis D8/353
- D781,237 S * 3/2017 Wilkins, III D13/152
- D830,980 S * 10/2018 Johnson D13/174

FIG. 10 is a cross-sectional view taken along line 10-10 of FIG. 6; and,

FIG. 11 is a perspective view showing the protective cover in use.

The broken lines depict environment, and form no part of the claimed design.

1 Claim, 11 Drawing Sheets



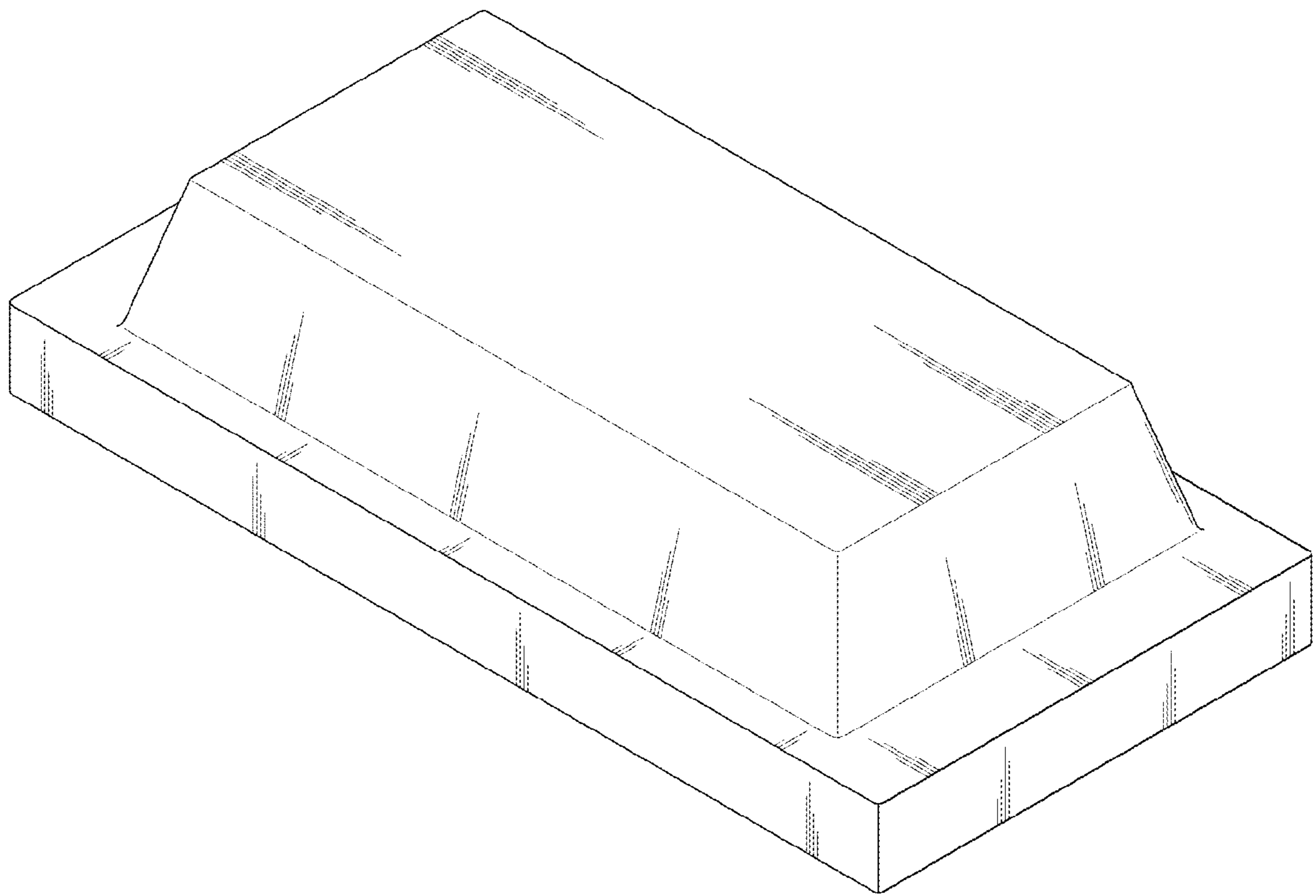


FIG. 1

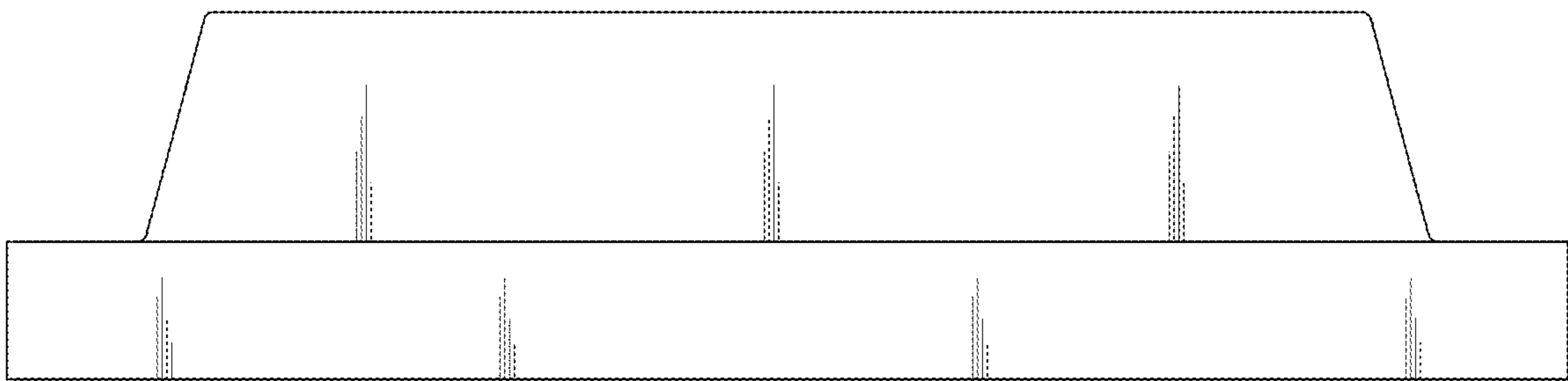


FIG. 2

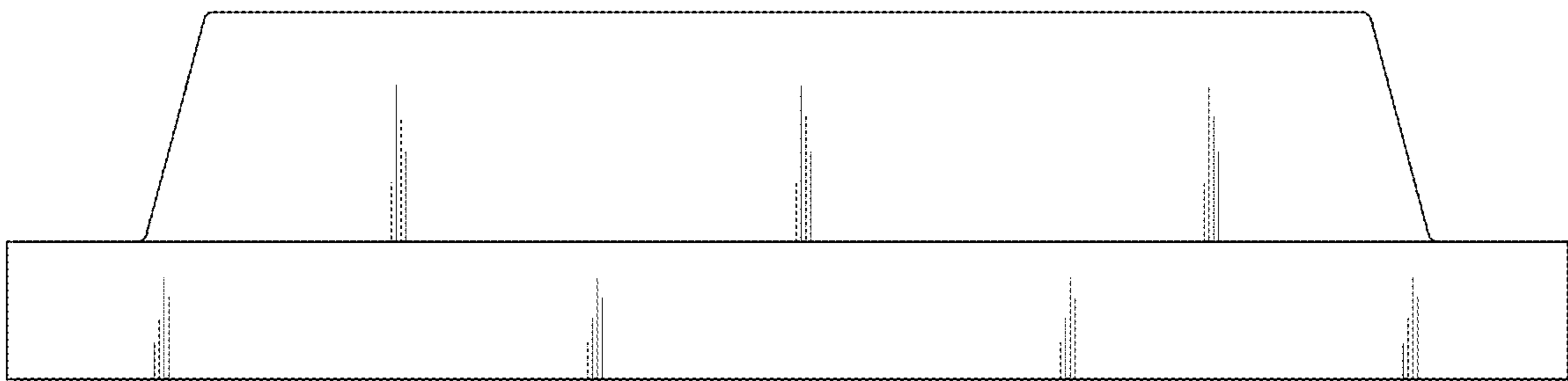


FIG. 3

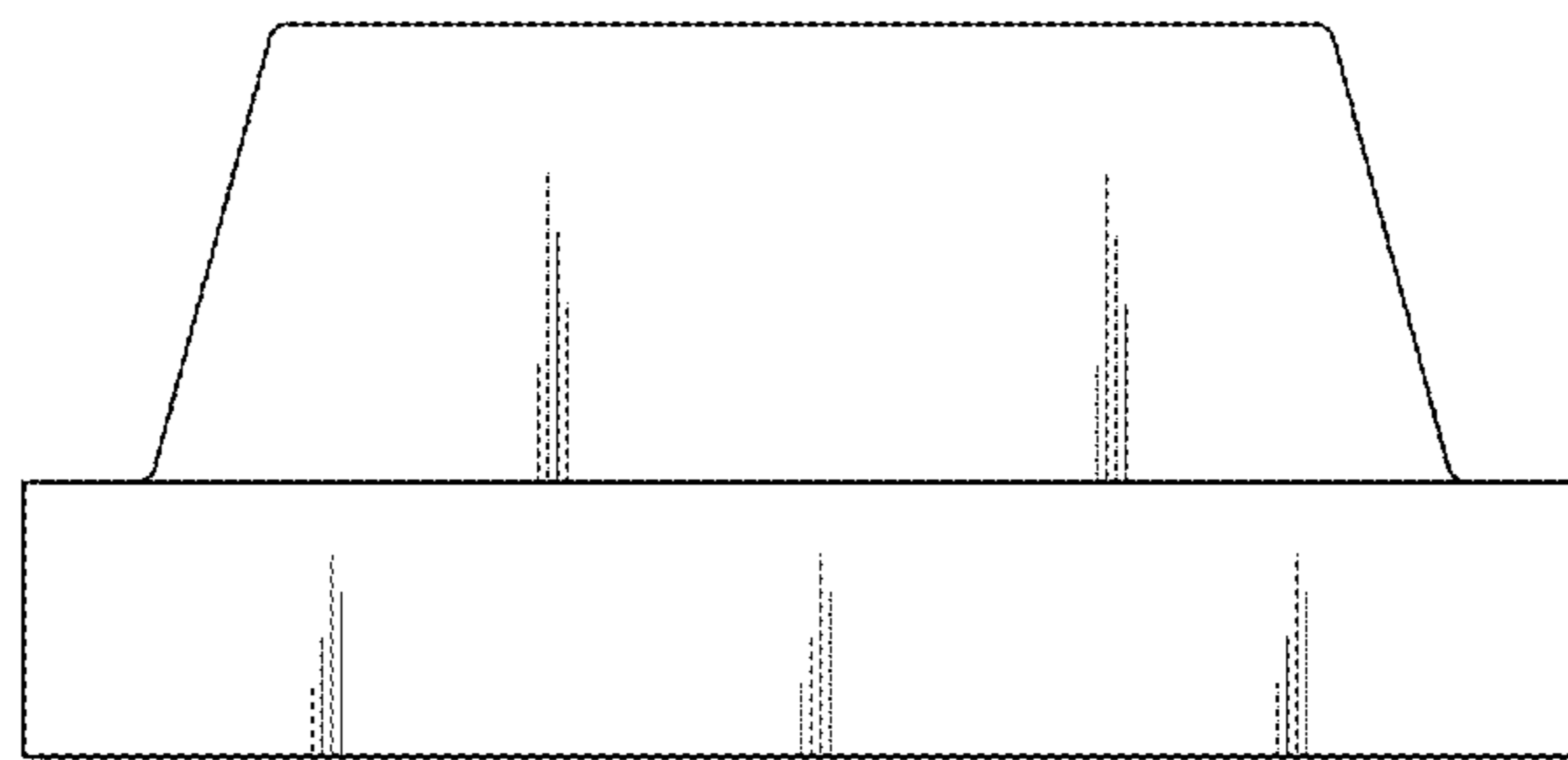


FIG. 4

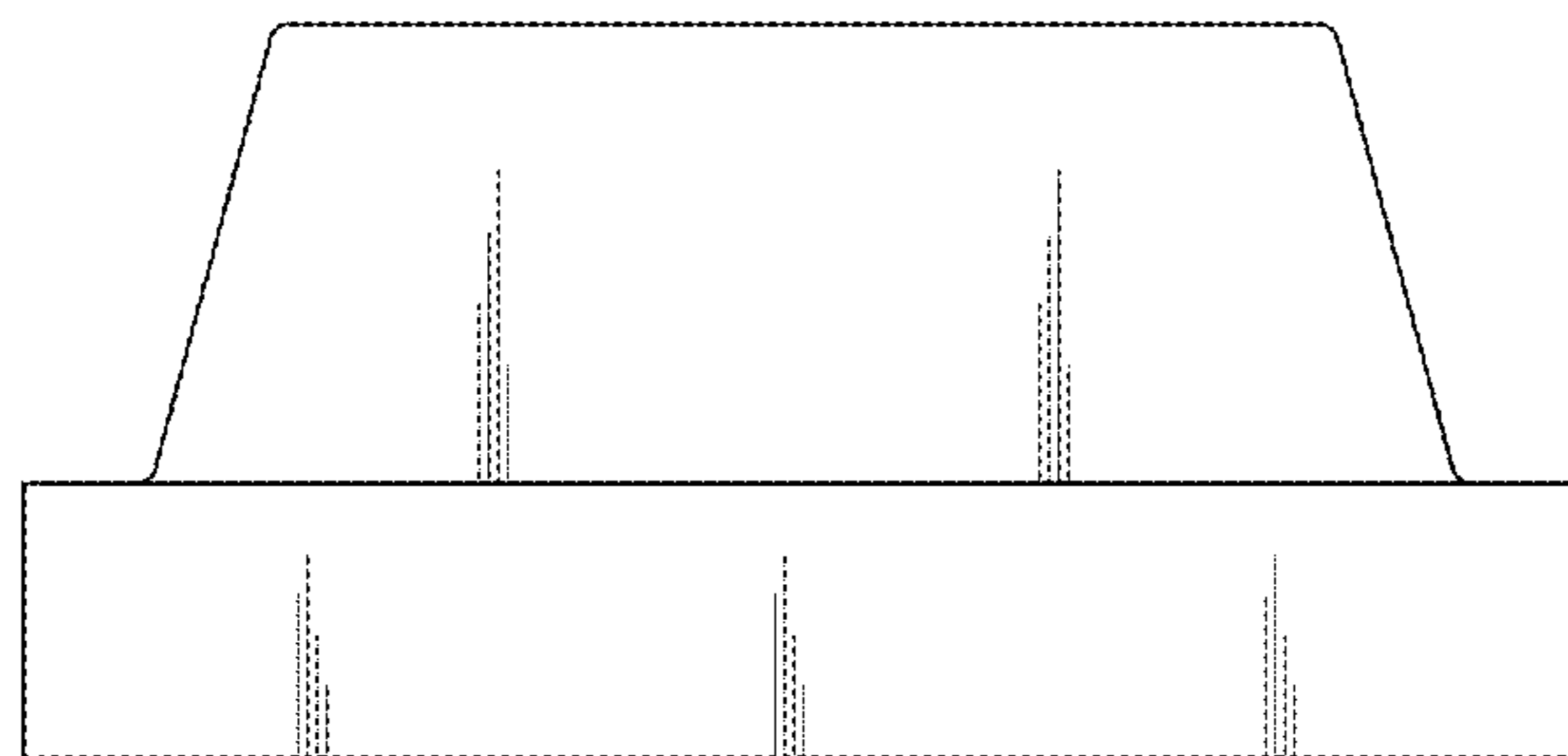


FIG. 5

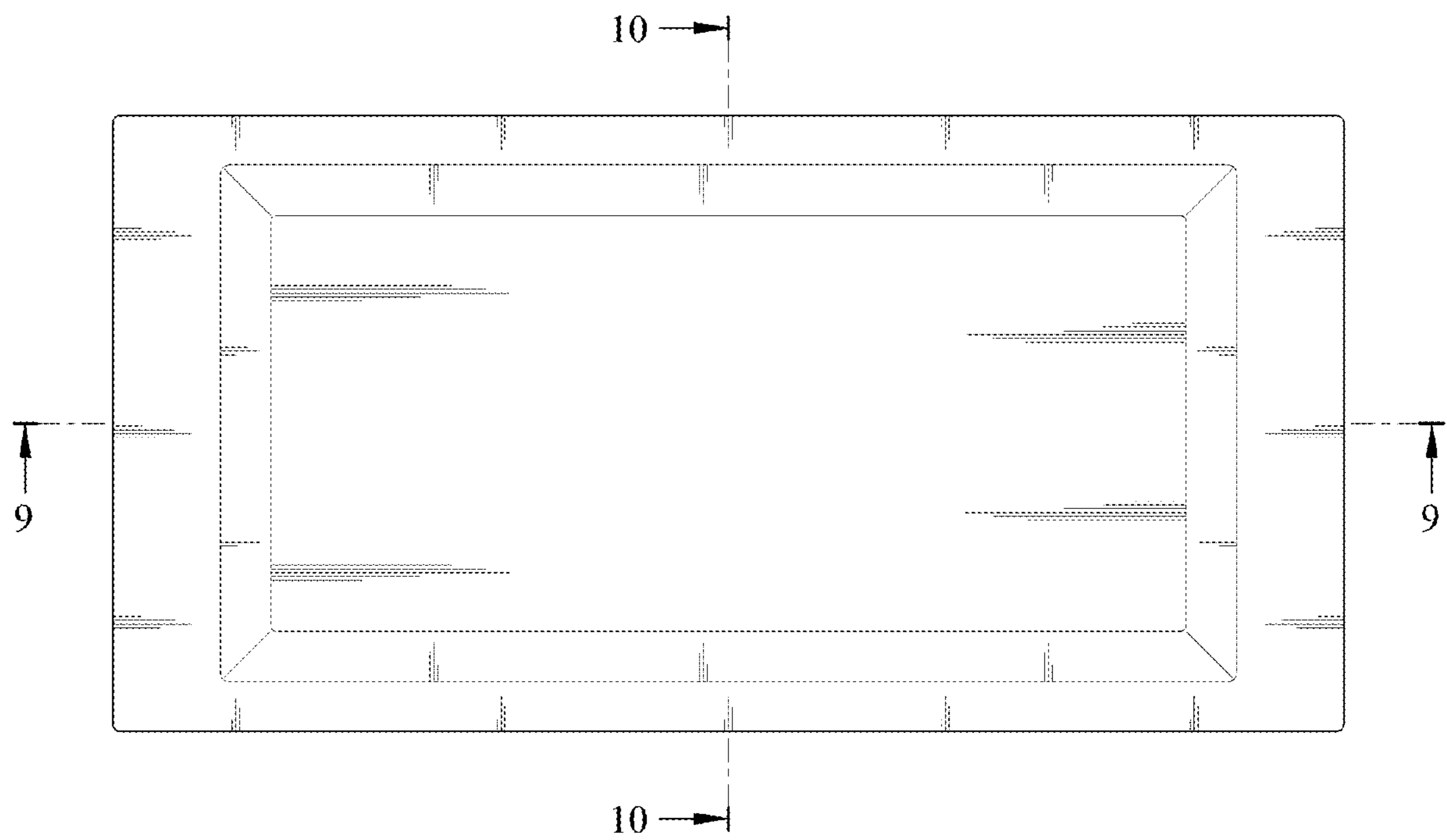


FIG. 6

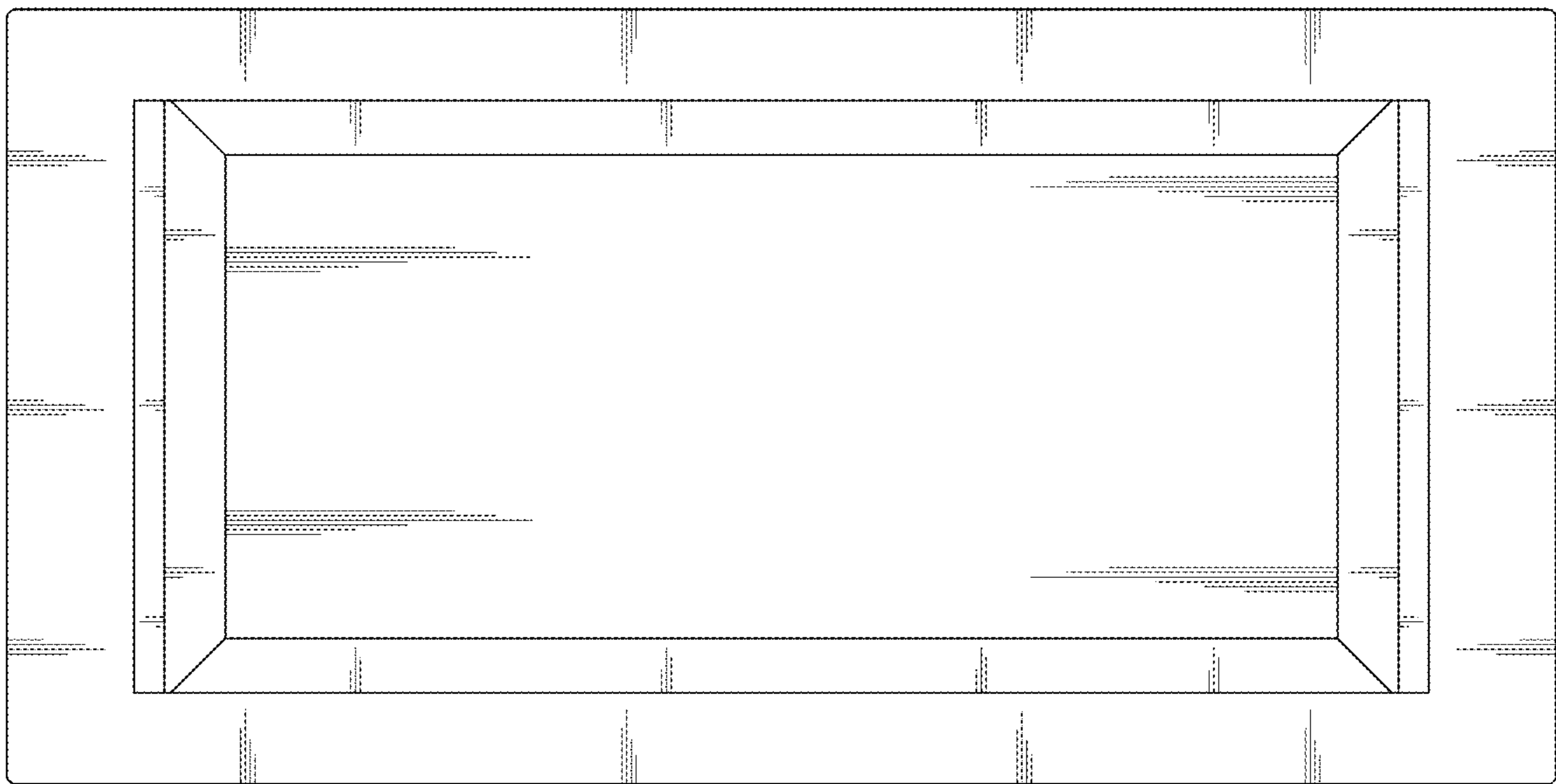


FIG. 7

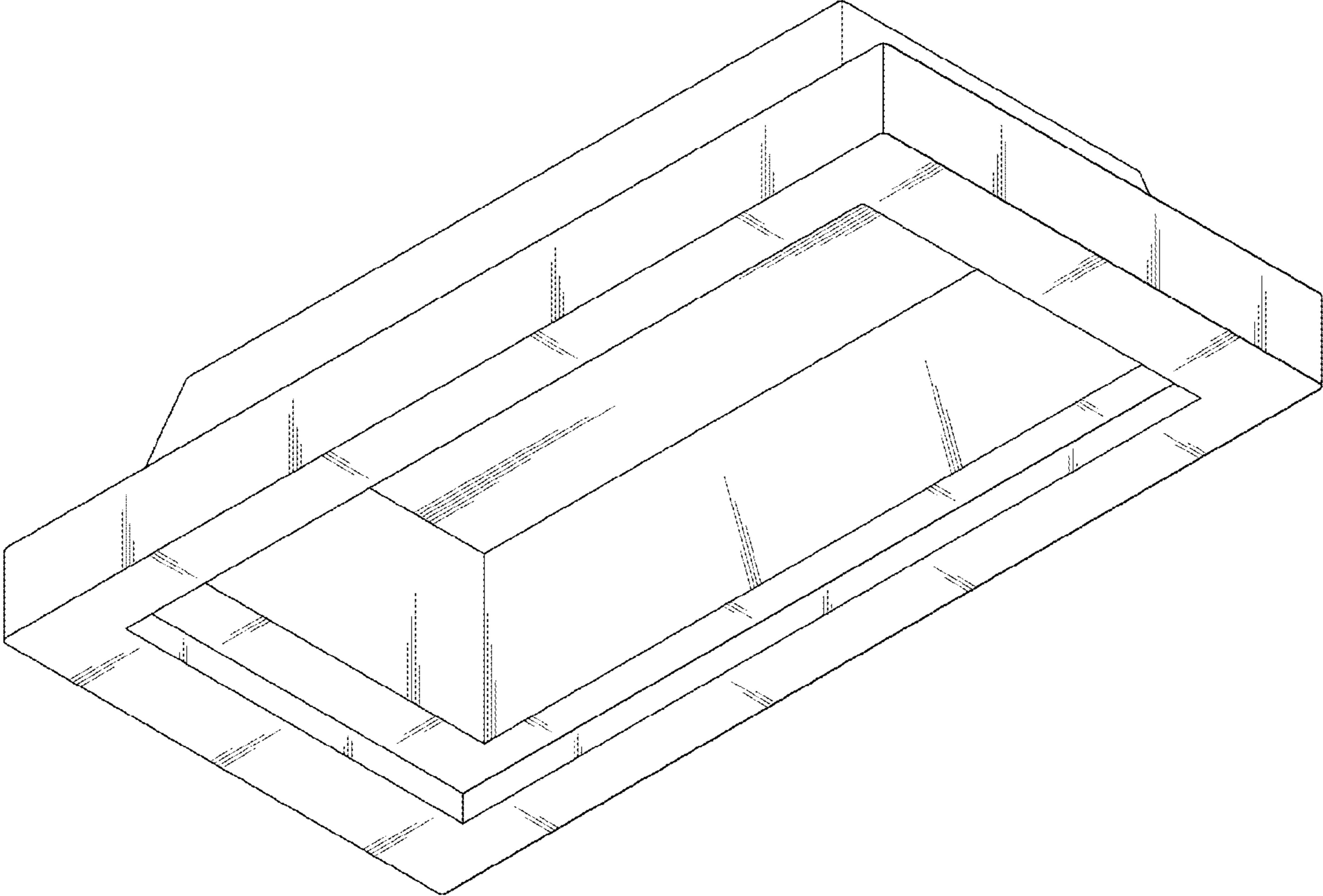


FIG. 8

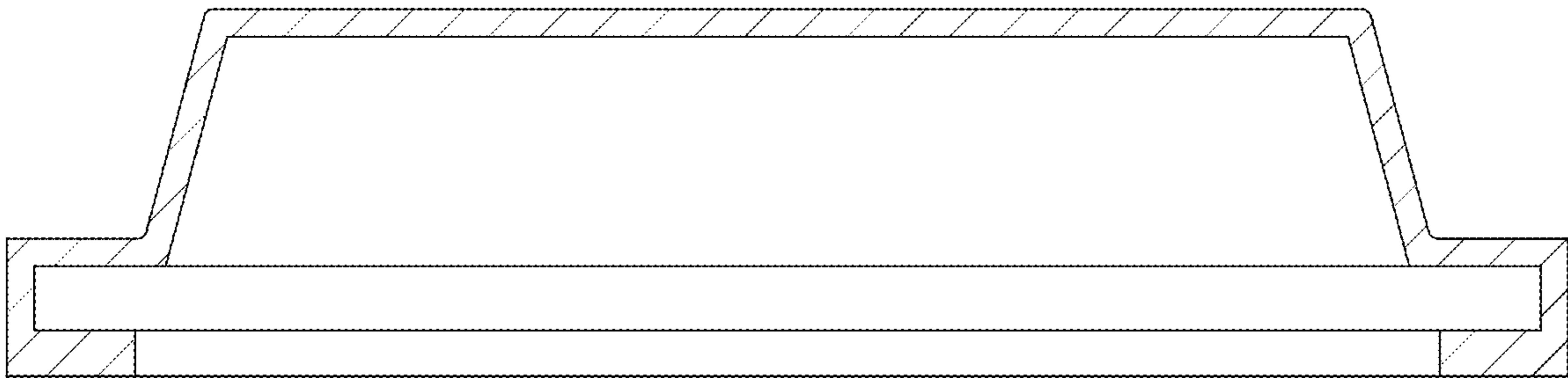


FIG. 9

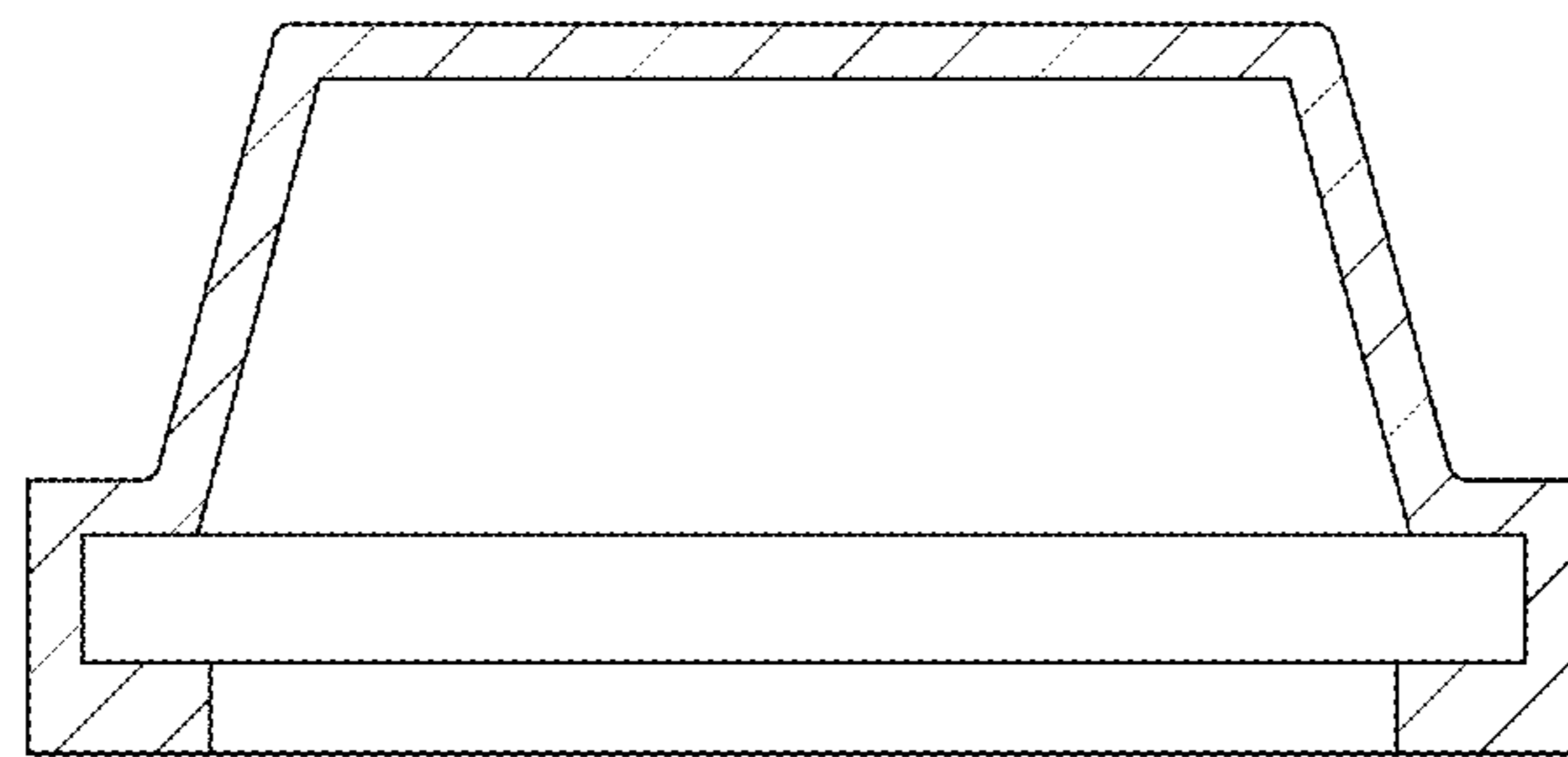


FIG. 10

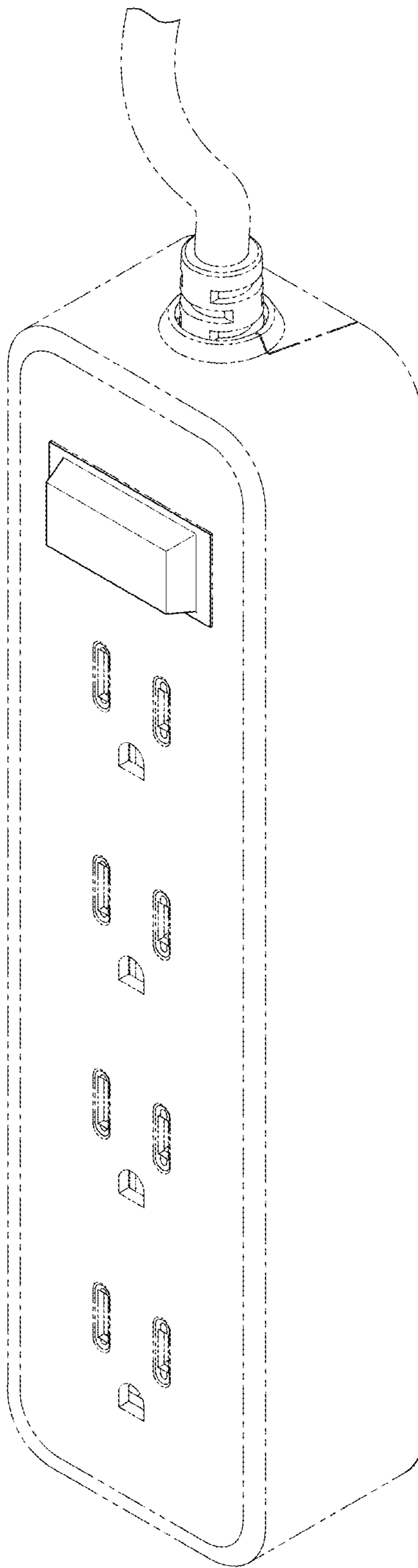


FIG. 11