



US00D973598S

(12) **United States Design Patent** (10) **Patent No.:** **US D973,598 S**
Tian (45) **Date of Patent:** **** Dec. 27, 2022**

(54) **COMPONENT OF ELECTRICAL CONNECTOR**

(71) Applicant: **Molex, LLC**, Lisle, IL (US)

(72) Inventor: **Yan Tian**, Shanghai (CN)

(73) Assignee: **Molex, LLC**, Lisle, IL (US)

(**) Term: **15 Years**

(21) Appl. No.: **29/696,982**

(22) Filed: **Jul. 3, 2019**

(30) **Foreign Application Priority Data**

Jan. 31, 2019 (CN) 201930056335.9

(51) **LOC (13) Cl.** **13-03**

(52) **U.S. Cl.**
USPC **D13/147**
CPC **H01R 13/4226** (2013.01)

(58) **Field of Classification Search**
USPC D13/110, 118, 120, 123, 133, 146, 147,
D13/153, 155, 184; D14/433
CPC H01R 13/5219; H01R 13/6272; H01R
13/5205; H01R 13/506
See application file for complete search history.

(56) **References Cited**

U.S. PATENT DOCUMENTS

5,057,042 A 10/1991 Yamanashi et al.
5,071,373 A 12/1991 Nagasaka et al.
5,123,866 A 6/1992 Endo et al.
RE34,539 E 2/1994 Aoyama
5,292,261 A 3/1994 Hirano et al.
5,322,456 A 6/1994 Yagi et al.
5,322,457 A 6/1994 Tsuji et al.
5,458,511 A 10/1995 Sasai et al.
5,569,055 A 10/1996 Yamanashi et al.
5,611,712 A 3/1997 Morishita et al.
5,890,935 A 4/1999 Pill
6,290,539 B1 9/2001 Wilber et al.

D585,024 S * 1/2009 Kudo D13/133
D597,956 S * 8/2009 Sakamoto D13/147
D639,746 S * 6/2011 Lee D13/147
D640,634 S * 6/2011 Lee D13/147
D745,461 S * 12/2015 Cho D13/146

(Continued)

FOREIGN PATENT DOCUMENTS

CN 104638417 B 7/2017
JP S60189968 U 12/1985

(Continued)

OTHER PUBLICATIONS

Notice of Allowance received for KR Application No. 10-2020-0009627, dated May 26, 2021, 03 Pages (01 Page of English Translation and 02 Pages of Official notification).

(Continued)

Primary Examiner — Richard E Chilcot

(57) **CLAIM**

The ornamental design for component of electrical connector, as shown and described.

DESCRIPTION

FIG. 1 is a front view of a component of an electrical connector.

FIG. 2 is a rear view of the component of the electrical connector.

FIG. 3 is a left view of the component of the electrical connector.

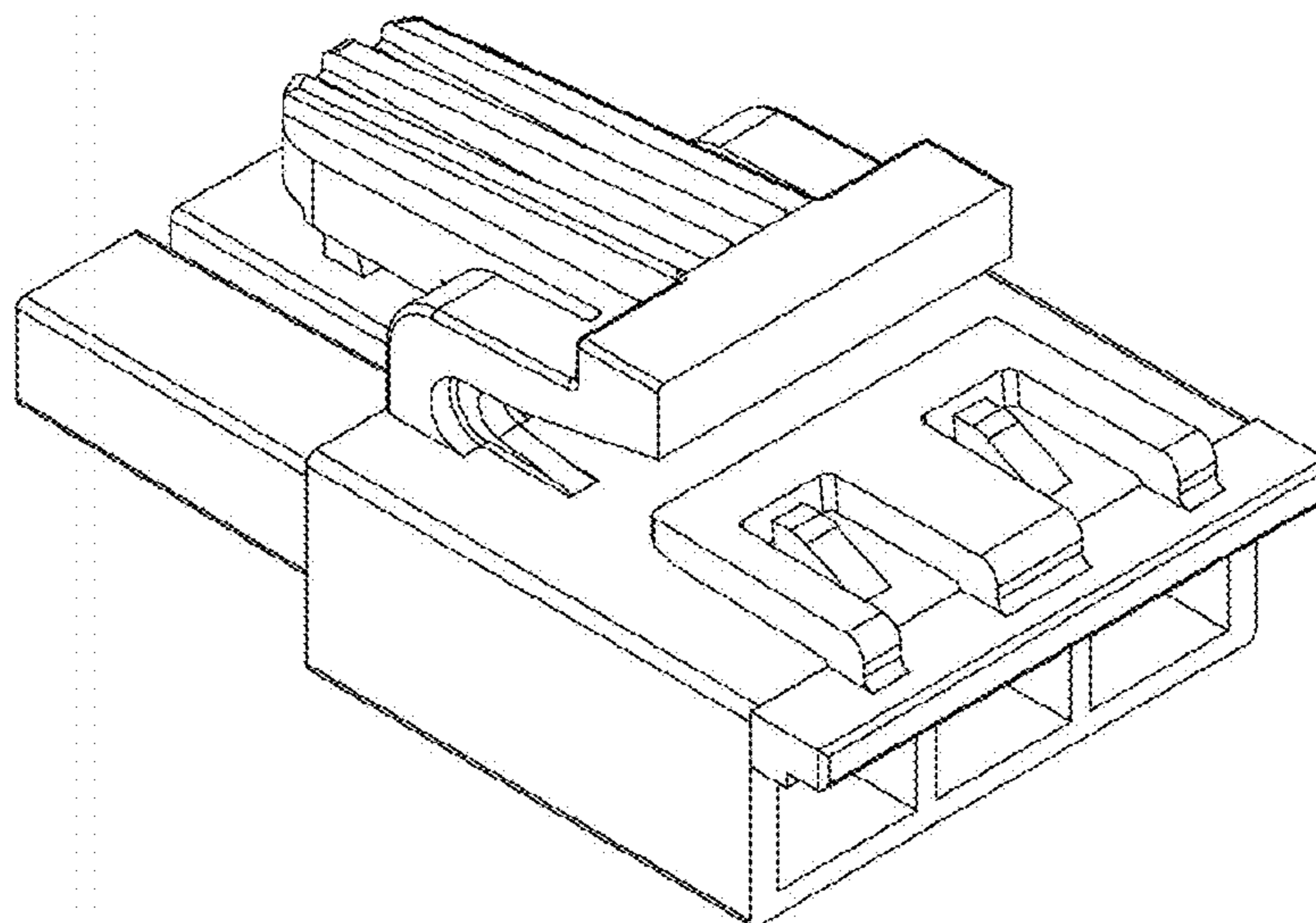
FIG. 4 is a right view of the component of the electrical connector.

FIG. 5 is a top view of the component of the electrical connector.

FIG. 6 is a bottom view of the component of the electrical connector; and,

FIG. 7 is a perspective view of the component of the electrical connector.

1 Claim, 7 Drawing Sheets



(56)

References Cited

U.S. PATENT DOCUMENTS

D791,082 S * 7/2017 Li D13/147
 D791,705 S * 7/2017 Li D13/147
 D801,278 S * 10/2017 Li D13/147
 D803,161 S * 11/2017 Li D13/147
 D803,162 S * 11/2017 Li D13/147
 D835,044 S * 12/2018 Ramanna D13/146
 D837,737 S * 1/2019 Li D13/146
 10,381,775 B2 8/2019 Zheng et al.
 10,454,204 B2 * 10/2019 Hara H01R 13/5227
 10,644,443 B2 5/2020 Zheng et al.
 10,741,967 B2 * 8/2020 Zheng H01R 13/6272
 10,777,934 B2 * 9/2020 Yi H01R 13/5219
 D906,978 S * 1/2021 Ganamukhi D13/133
 D911,964 S * 3/2021 Ganamukhi D13/133
 D924,141 S * 7/2021 Thyagaraj D13/133
 D926,700 S * 8/2021 Terajima D13/147
 D938,362 S * 12/2021 Ito D13/146
 D938,919 S * 12/2021 Ito D13/147
 D942,399 S * 2/2022 Belle D13/146
 D942,400 S * 2/2022 Belle D13/146
 D942,952 S * 2/2022 Belle D13/146
 D942,953 S * 2/2022 Belle D13/146
 2002/0086575 A1 * 7/2002 Marpoe, Jr. H01R 13/64
 439/352

2016/0036156 A1* 2/2016 Iihoshi H01R 13/5202
 439/587
 2018/0351281 A1* 12/2018 Takamura H01R 13/113
 2019/0140389 A1* 5/2019 Yi H01R 13/4368
 2019/0157797 A1* 5/2019 McDowell H01R 13/4367
 2020/0251846 A1* 8/2020 Tian H01R 13/4226

FOREIGN PATENT DOCUMENTS

JP H0192773 U 6/1989
 JP H1167318 A 3/1999
 JP 2000200649 A 7/2000
 JP 2001291547 A 10/2001
 JP 2016195080 A 11/2016
 KR 20180093810 A 8/2018
 TW D187629 S 1/2018
 TW D188868 S 3/2018

OTHER PUBLICATIONS

Decision to Grant received for JP Application No. 2020-001866 dated Feb. 2, 2021, 5 Pages.(2 Pages of English Translation and 3 Pages of official notification).
 Notice of Allowance received for U.S. Appl. No. 16/752,700, dated Feb. 12, 2021, 9 Pages.

* cited by examiner

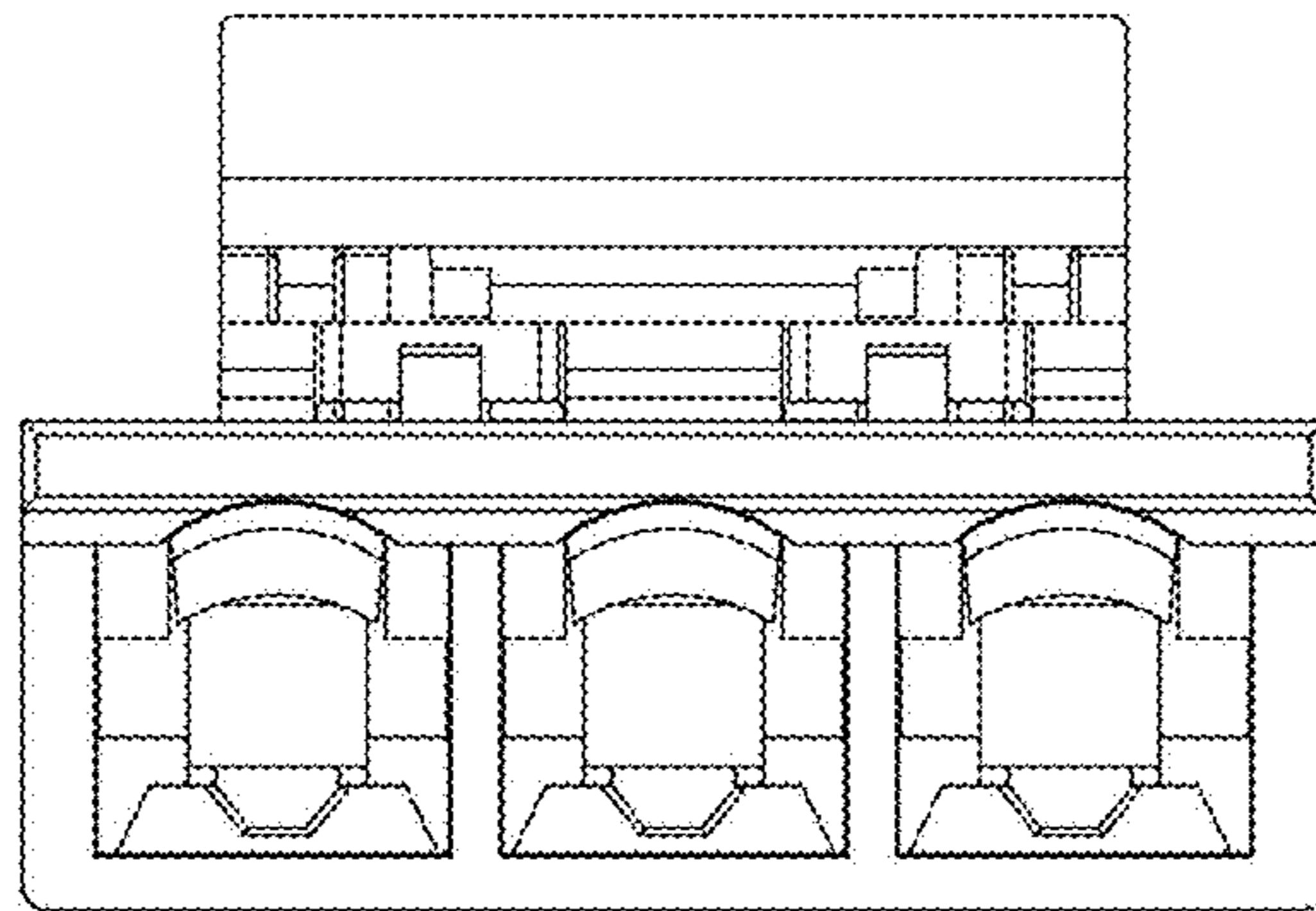


FIG. 1

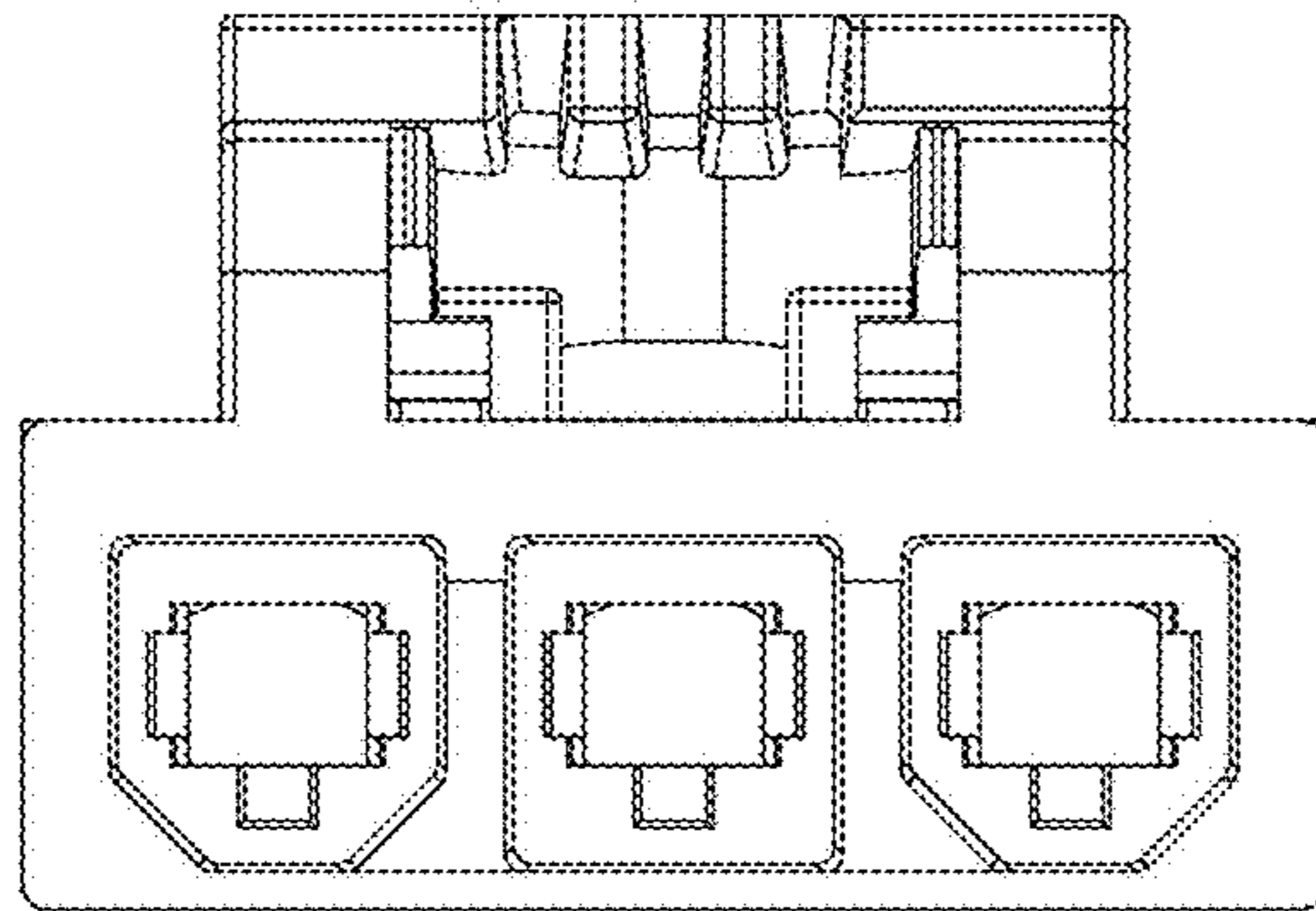


FIG.2

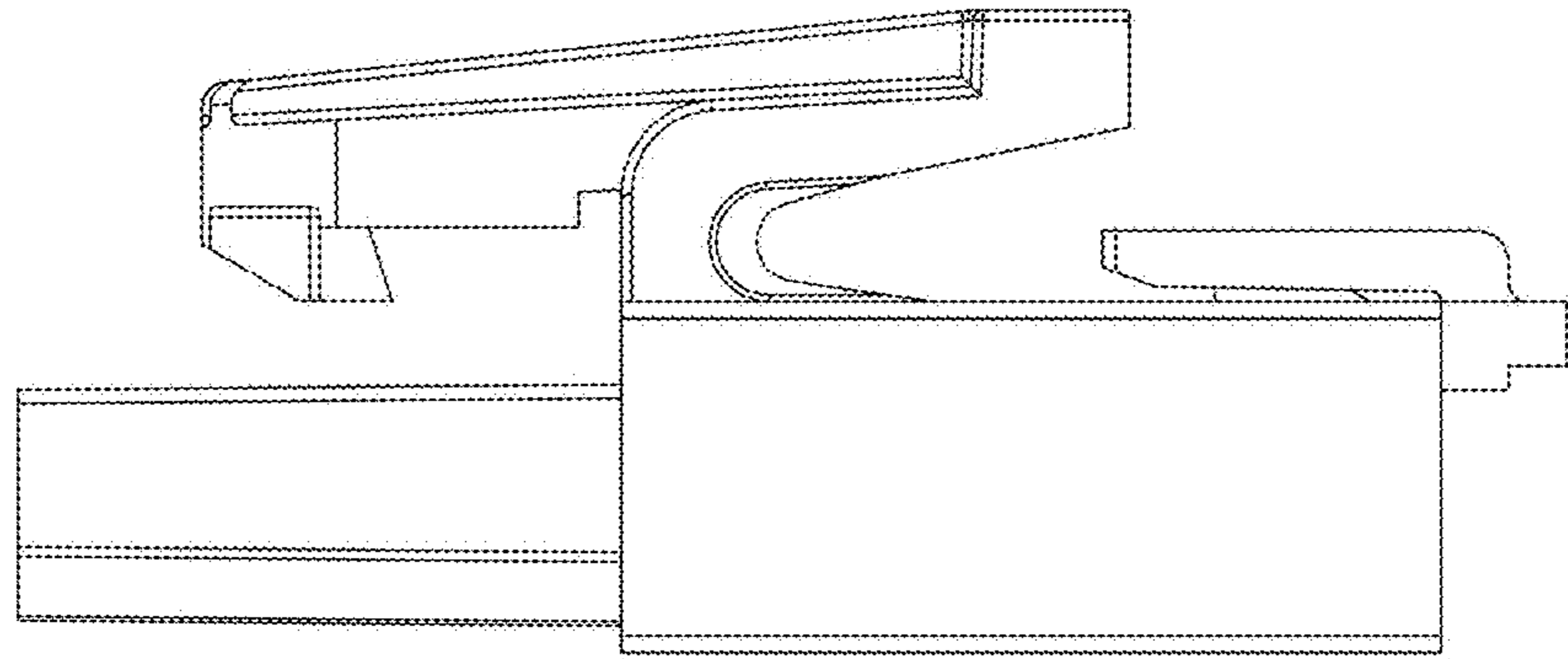


FIG.3

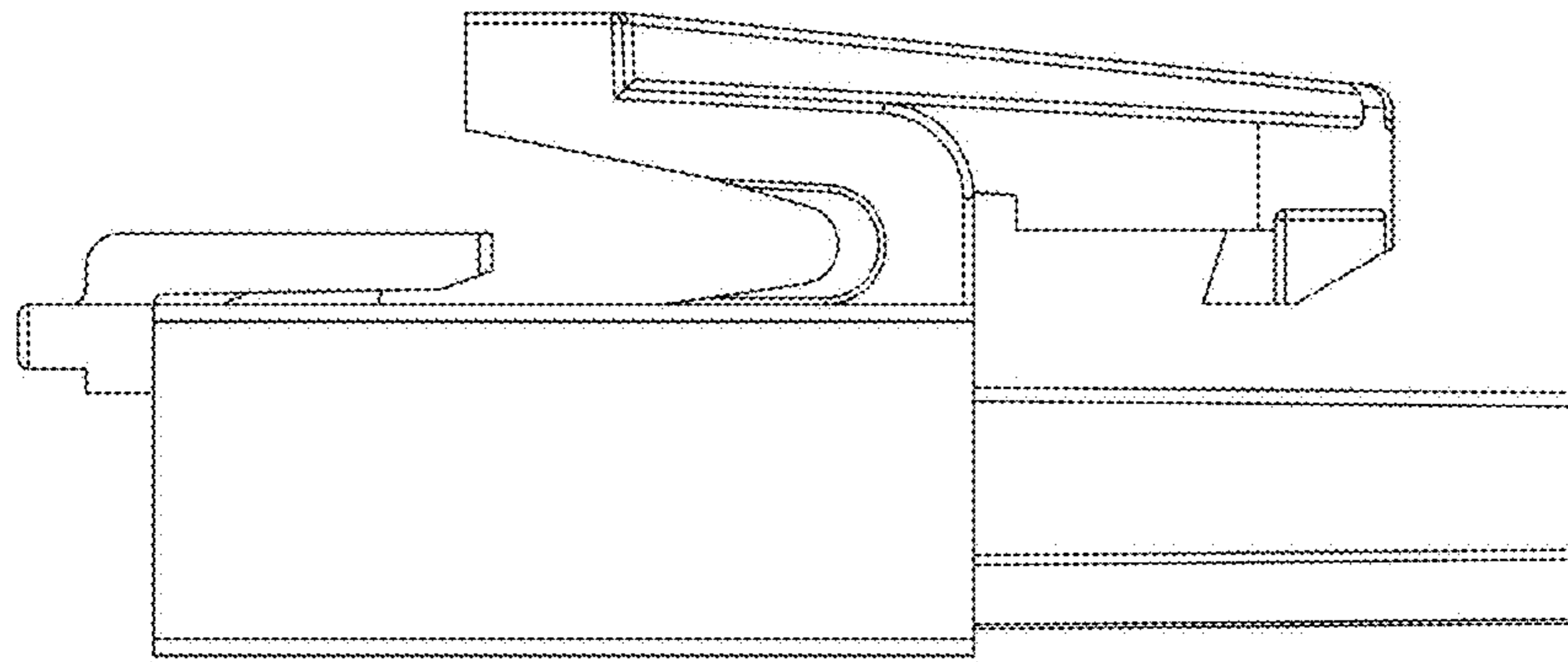


FIG. 4

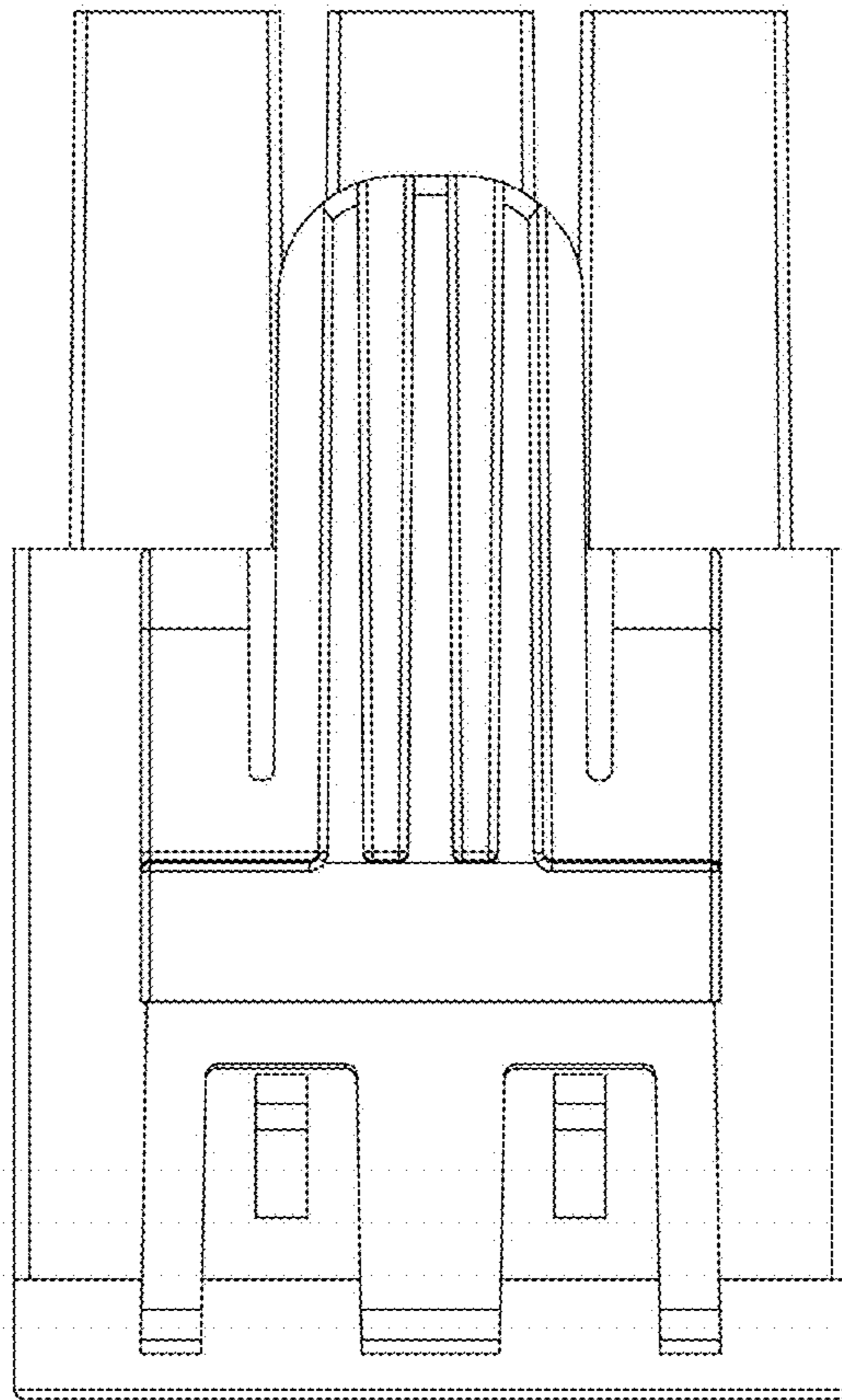


FIG. 5

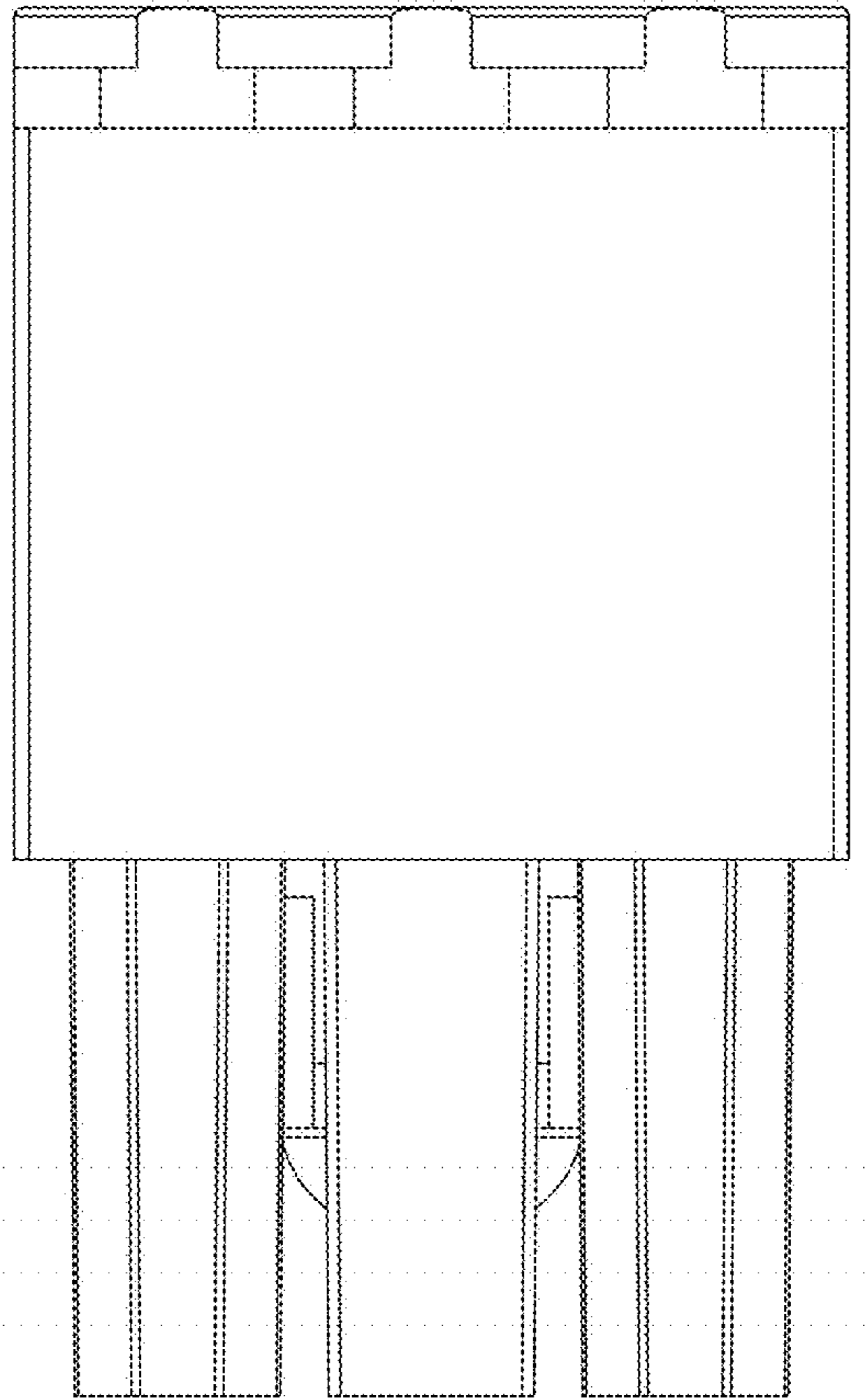


FIG. 6

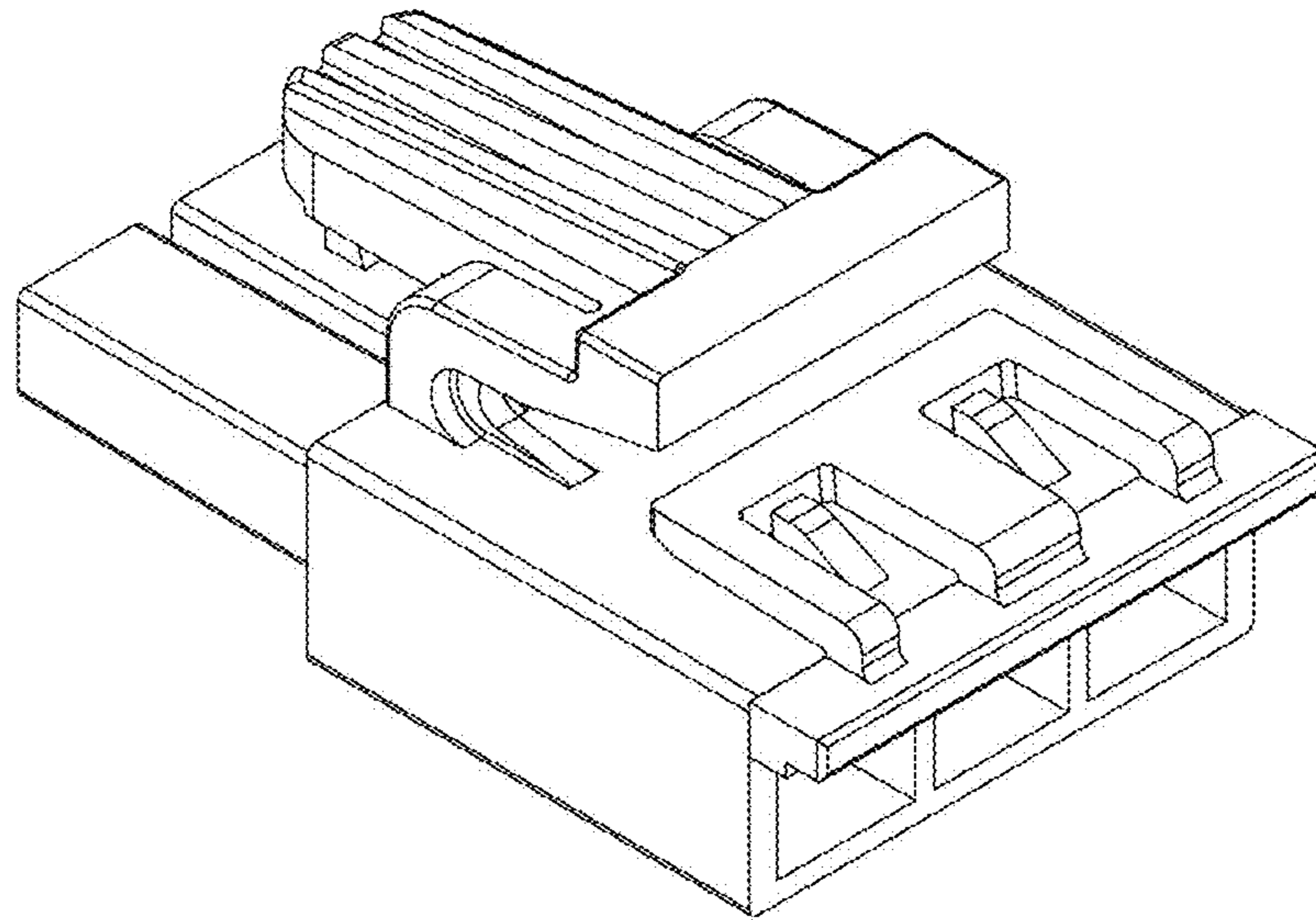


FIG. 7