



US00D973596S

(12) **United States Design Patent** (10) **Patent No.:** **US D973,596 S**
Egbert et al. (45) **Date of Patent:** **** Dec. 27, 2022**

(54) **ELECTRICAL PLUG**

D623,594 S * 9/2010 Akana D13/138.2
D635,514 S 4/2011 Doucet
D635,515 S * 4/2011 Atwell D13/138.2
(Continued)

(71) Applicant: **Jasco Products Company LLC**,
Oklahoma City, OK (US)

FOREIGN PATENT DOCUMENTS

(72) Inventors: **Ryan Egbert**, Oklahoma City, OK
(US); **Jon Treat**, Oklahoma City, OK
(US); **Corey Langston**, Oklahoma City,
OK (US)

KR 300860272.0000 * 6/2016
KR 301094366.0000 * 2/2021
(Continued)

(73) Assignee: **Jasco Products Company LLC**,
Oklahoma City, OK (US)

OTHER PUBLICATIONS

(**) Term: **15 Years**

“C2G 8ft Universal Power Cord—16 AWG—NEMA 5-15P to IEC320C13”, first accessed Jul. 21, 2022. CDW.com [https://www.cdw.com/product/c2g-8ft-universal-power-cord-16-awg-nema-5-15p-to-iec320c13/1638978] (Year: 2022).*
(Continued)

(21) Appl. No.: **29/783,105**

(22) Filed: **May 11, 2021**

(51) **LOC (13) Cl.** **13-03**

(52) **U.S. Cl.**
USPC **D13/138.2**

(58) **Field of Classification Search**
USPC D13/137.1, 137.2, 137.3, 137.4, 138.1,
D13/138.2, 139.1, 139.2, 139.3, 139.4,
D13/139.5, 139.6, 139.7, 139.8
CPC H01R 13/11; H01R 13/518; H01R 13/642;
H01R 13/652; H01R 25/003; H01R
25/006; H01R 43/26; H01H 71/62; H01H
73/14
See application file for complete search history.

Primary Examiner — Rosemary K Tarcza
Assistant Examiner — Seth David Kumpf
(74) *Attorney, Agent, or Firm* — Bruce P. LaBrie;
Resolution Legal Group

(57) **CLAIM**

The ornamental design for an electrical plug, as shown and described.

DESCRIPTION

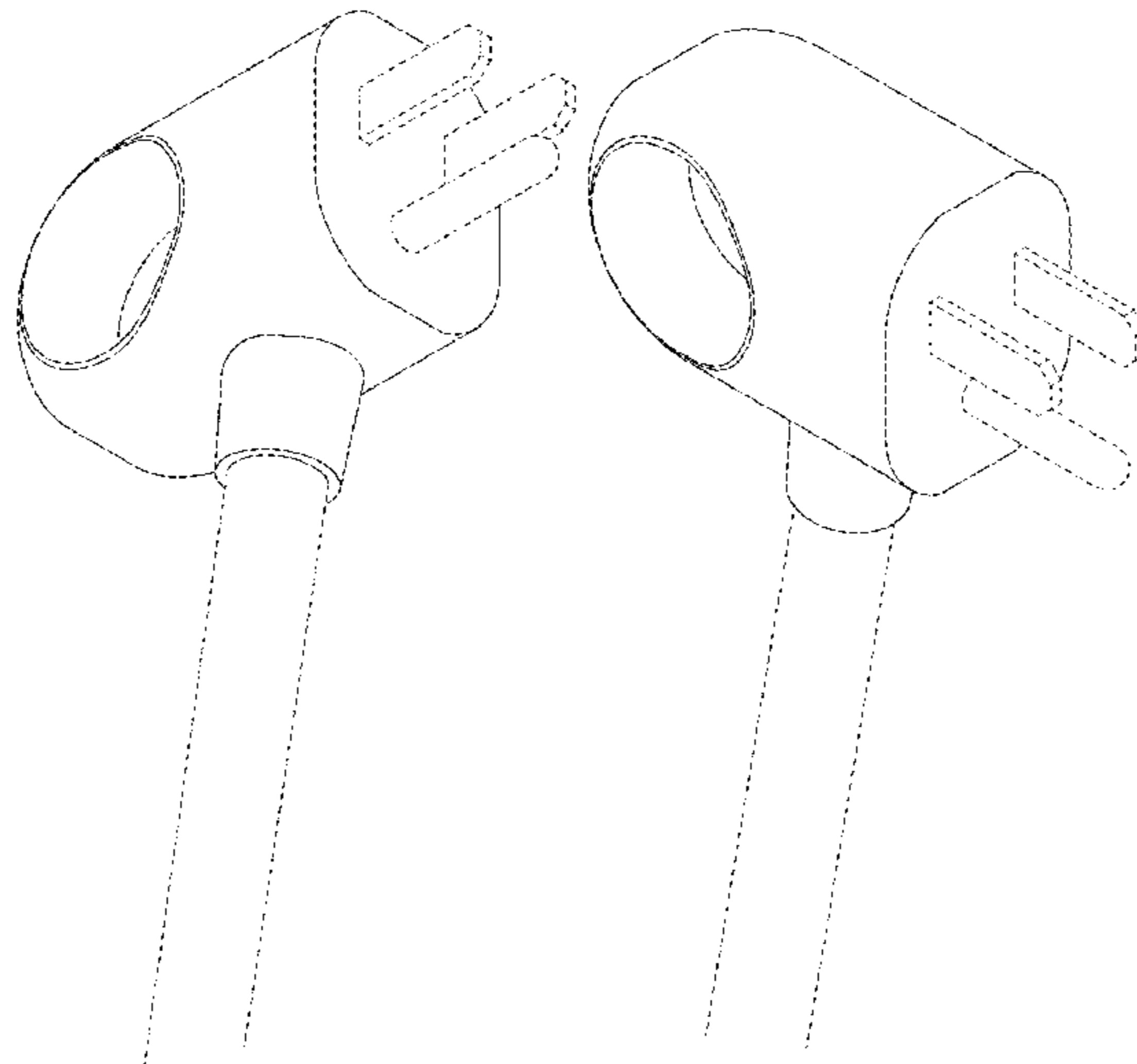
FIG. 1 is a left elevation view of an electrical plug showing our new design;
FIG. 2 is a right elevation view thereof;
FIG. 3 is a top view thereof;
FIG. 4 is a bottom view thereof;
FIG. 5 is a front view thereof;
FIG. 6 is a rear view thereof;
FIG. 7 is a bottom left perspective view thereof; and,
FIG. 8 is a top left perspective view thereof.
The structural features depicted by broken lines have been shown for the purpose of illustrating portions of the electrical plug that form no part of the claimed design.

(56) **References Cited**

U.S. PATENT DOCUMENTS

D263,699 S * 4/1982 Vest D13/138.2
D339,567 S * 9/1993 Okamoto D13/138.2
D355,162 S 2/1995 Karman
D537,784 S * 3/2007 Suckle D13/138.1
D586,296 S 2/2009 Liu
D596,571 S 7/2009 Green
D597,486 S 8/2009 Wu
D614,571 S * 4/2010 Wu D13/138.2
D622,217 S 8/2010 Green

1 Claim, 3 Drawing Sheets



(56)

References Cited

U.S. PATENT DOCUMENTS

D638,359	S	5/2011	Atwell et al.	
D648,678	S	11/2011	Thornton	
D692,384	S	10/2013	Galloway	
D737,207	S	8/2015	Fletcher	
D737,774	S	9/2015	Zhu et al.	
D738,310	S *	9/2015	Fletcher	D13/138.2
D803,159	S *	11/2017	Ann	D13/138.1
D805,480	S *	12/2017	Germe	D13/138.1
2009/0017654	A1 *	1/2009	Wang	H01R 24/30 439/106

FOREIGN PATENT DOCUMENTS

KR	301094367.0000	*	2/2021
NZ	410112-0001	*	12/2007

OTHER PUBLICATIONS

“STARELO Extension Cord Ends 125V 15A 2Pole 3Wire Male Straight Blade Plug Replacement Electrical Plugs End 2 PCS (Male)”, first available Oct. 31, 2020. Amazon.com [<https://www.amazon.com/STARELO-Extension-Straight-Replacement-Electrical/dp/B08MBQ5XCV>] (Year: 2020).*

“2PCS Wholesale Black Copper American 3 Pins Power Plug Elcectrical AC 125V 15A US Power Cord Detachable Industrial Plug Socket”, first accessed Jul. 21, 2022. Alibaba.com [<https://www.aliexpress.com/item/2251832651404647.html>] (Year: 2022).*

* cited by examiner

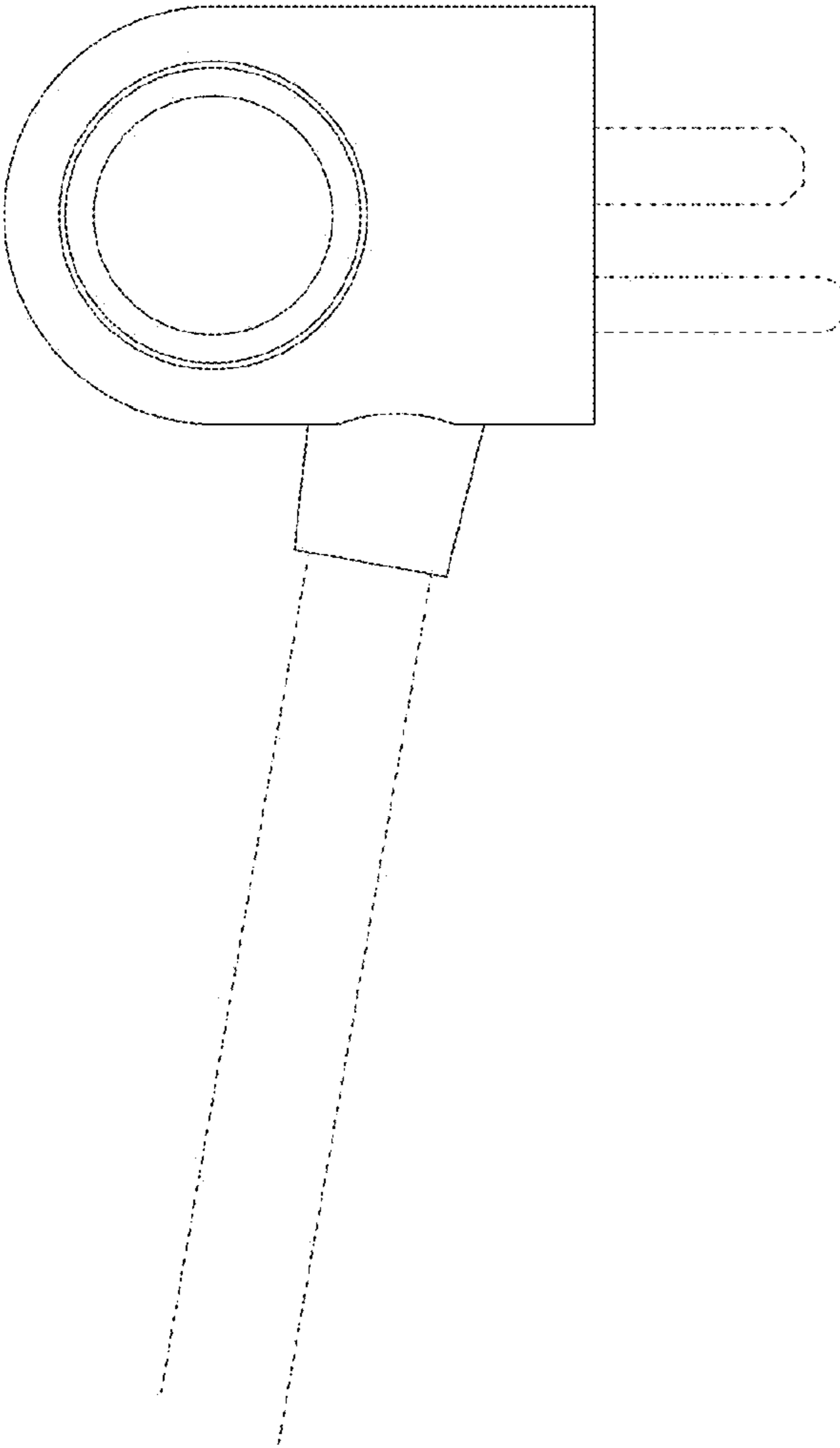


FIG. 1

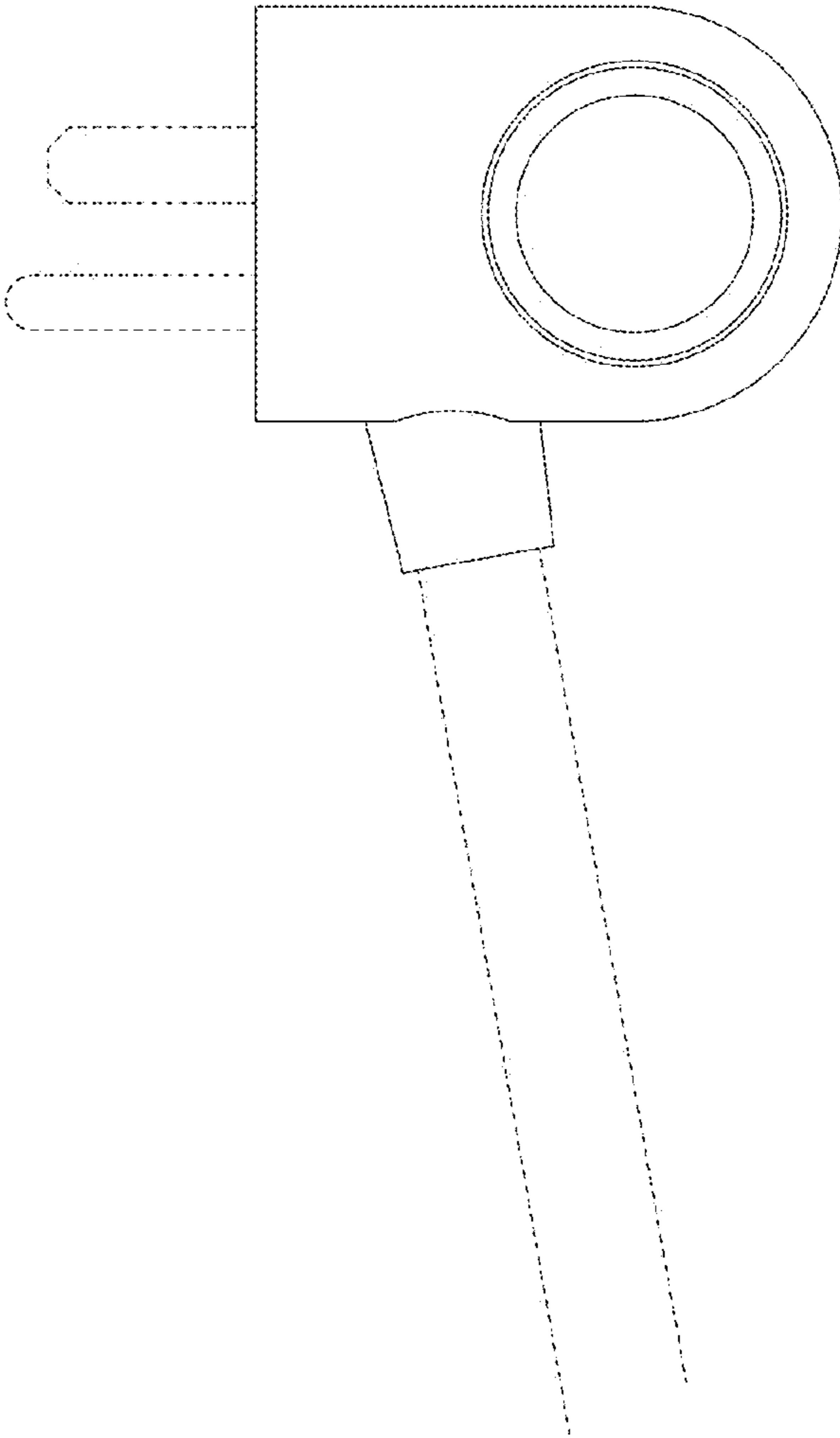


FIG. 2

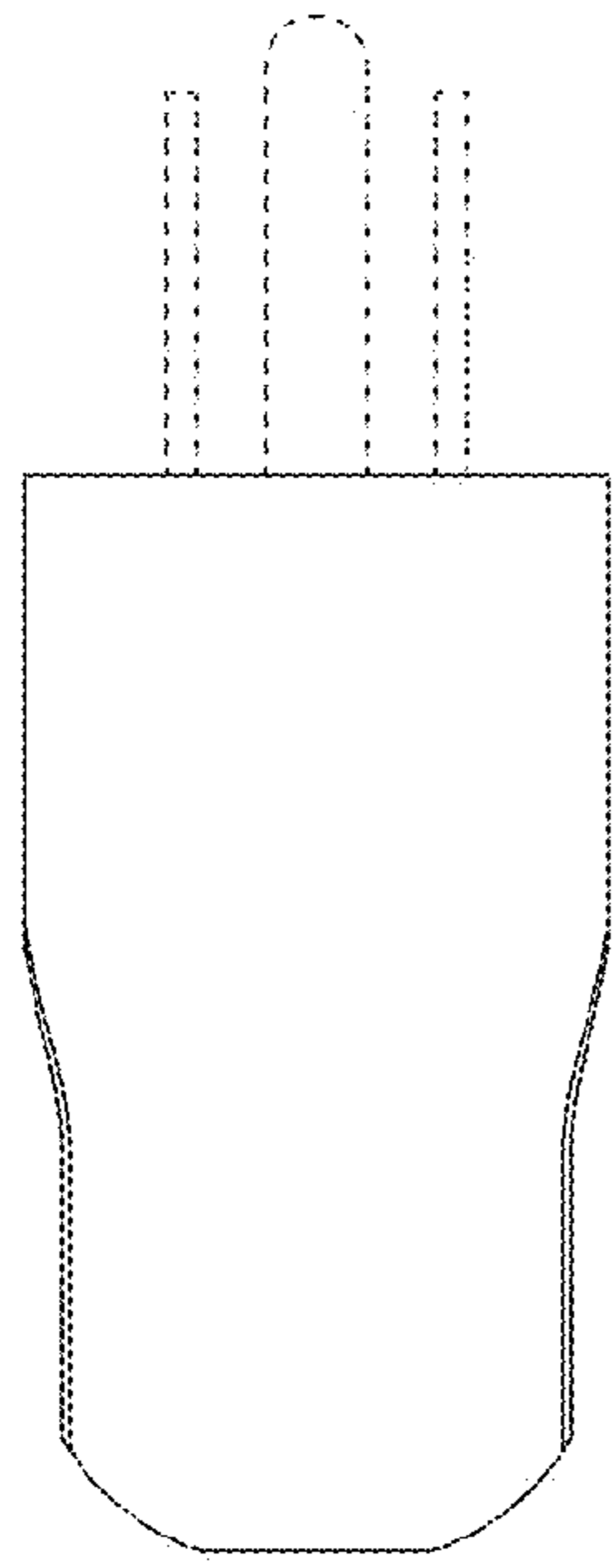


FIG. 3

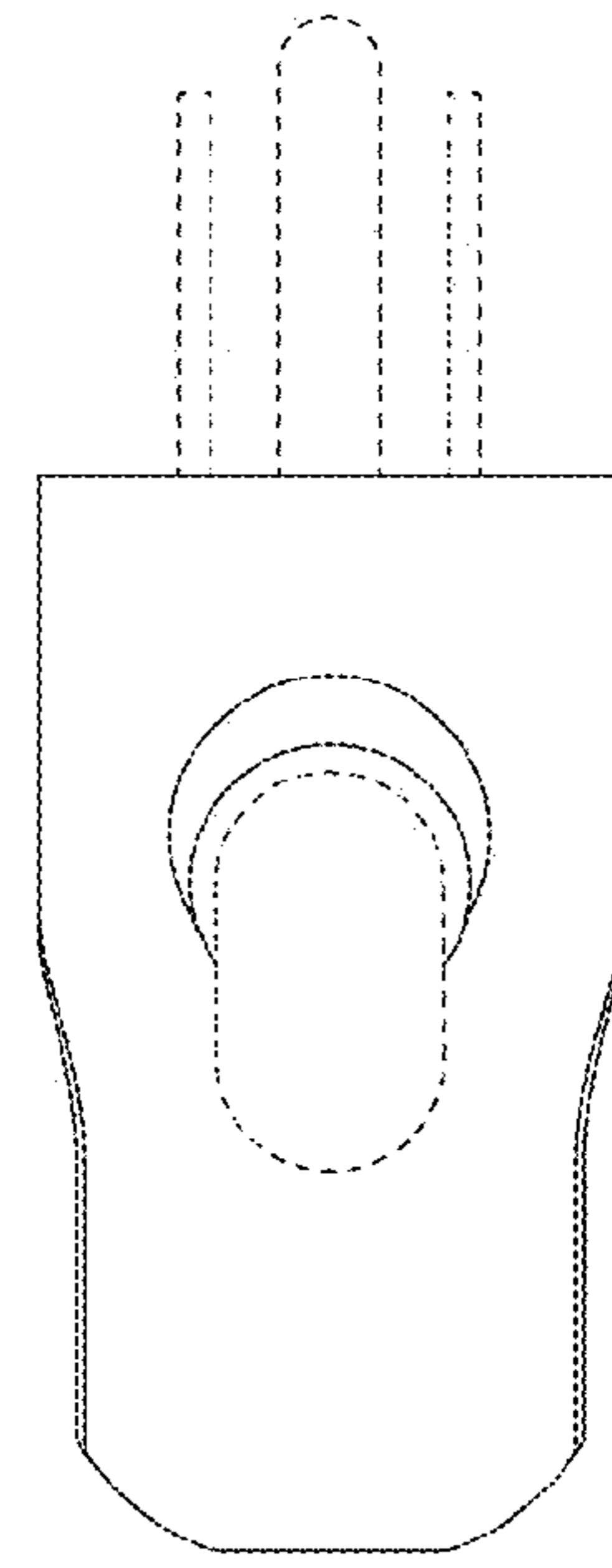


FIG. 4

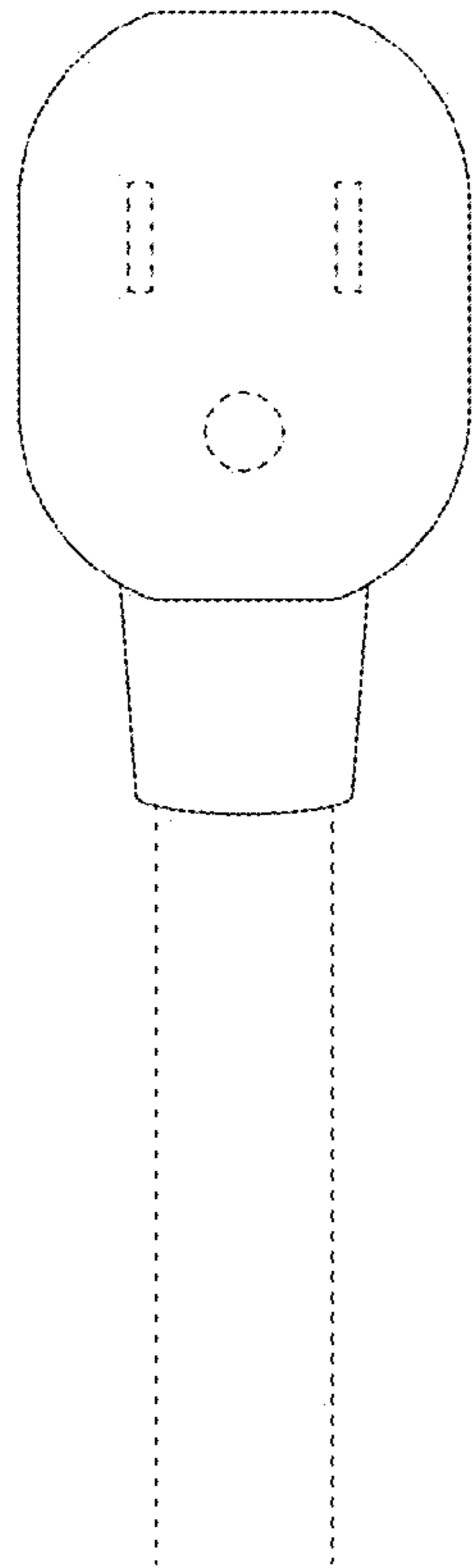


FIG. 5

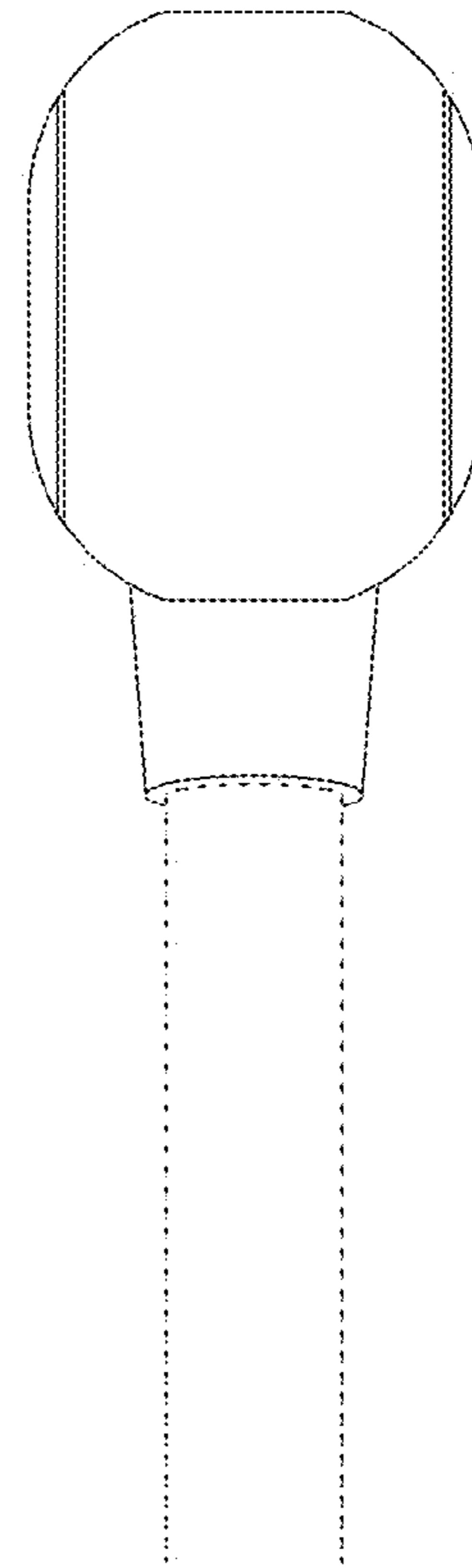


FIG. 6

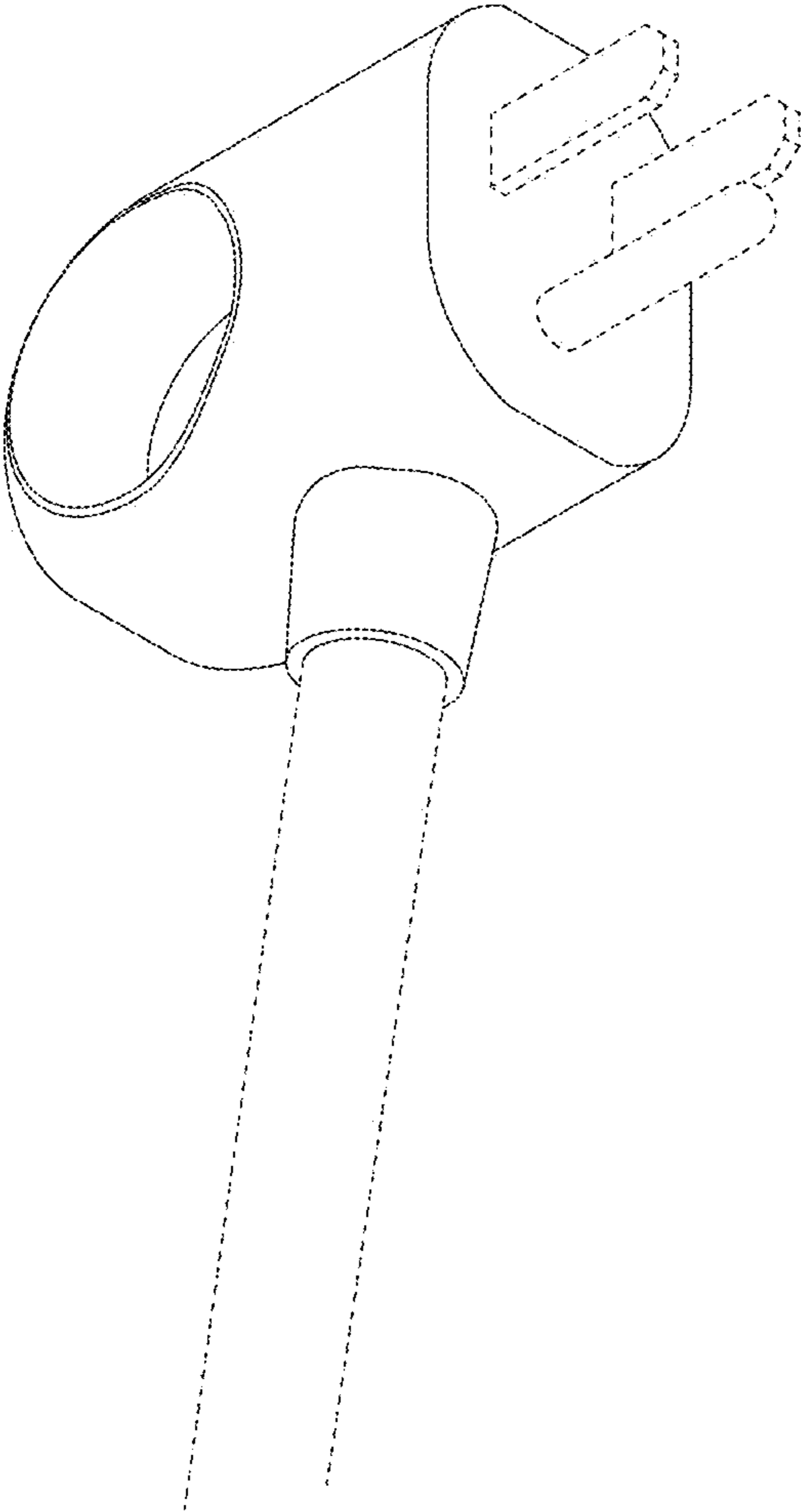


FIG. 7

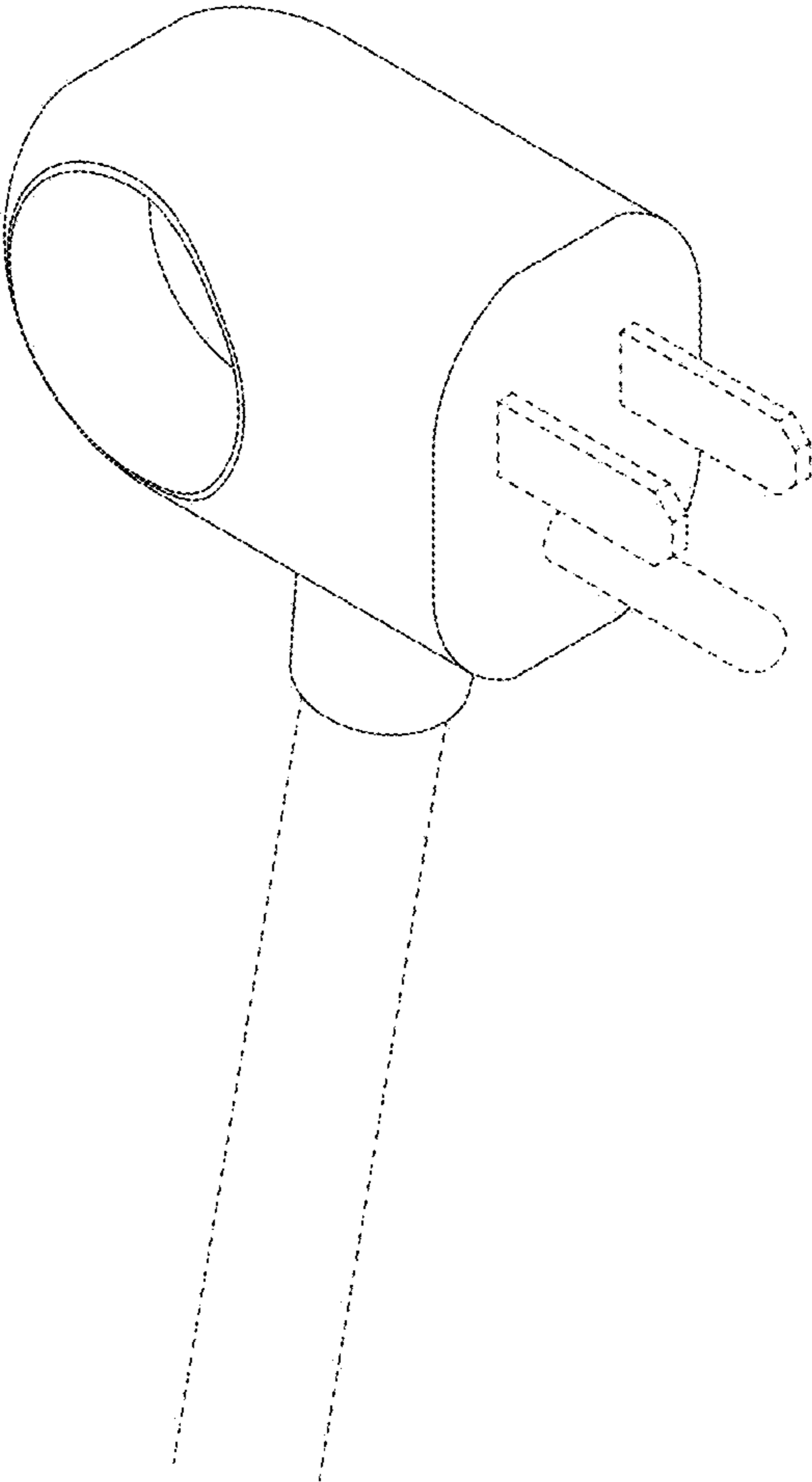


FIG. 8