



US00D973593S

(12) **United States Design Patent** (10) **Patent No.:** **US D973,593 S**
Choi (45) **Date of Patent:** **** Dec. 27, 2022**

(54) **HOUSING FOR OPTICAL CONNECTOR** 6,672,898 B2 * 1/2004 Kahle G02B 6/3879
385/59
(71) Applicant: **A.J. WORLD CO., LTD.**, Seoul (KR) D678,205 S * 3/2013 Shifris D13/133
D756,301 S * 5/2016 Wu D13/133
(72) Inventor: **Sun Ho Choi**, Seoul (KR) D828,811 S * 9/2018 Aoshima D13/133
2013/0095694 A1 * 4/2013 Shifris H01R 13/465
439/491
(**) Term: **15 Years** 2016/0216458 A1 * 7/2016 Shih G02B 6/3879
2021/0184377 A1 * 6/2021 Dong H01R 13/62988
(21) Appl. No.: **35/512,570** 2021/0281005 A1 * 9/2021 Taira H01R 13/506
2022/0283385 A1 * 9/2022 Choi G02B 6/3869

(22) Filed: **Mar. 17, 2021**

(80) **Hague Agreement Data**

Int. Filing Date: **Mar. 17, 2021**
Int. Reg. No.: **DM/214156**
Int. Reg. Date: **Mar. 17, 2021**
Int. Reg. Pub. Date: **Sep. 17, 2021**

(30) **Foreign Application Priority Data**

Jan. 20, 2021 (KR) 30-2021-0002910

(51) **LOC (13) Cl.** **13-03**

(52) **U.S. Cl.**
USPC **D13/133**

(58) **Field of Classification Search**
USPC D13/107, 118, 123, 133, 146, 147, 153,
D13/154, 156, 173, 184, 199
CPC G02B 6/3805; G02B 6/4466; G02B 6/508;
G02B 6/38; G02B 6/3869; G02B 6/3879;
H01R 13/62; H01R 13/625; H01R 13/447
See application file for complete search history.

(56) **References Cited**

U.S. PATENT DOCUMENTS

5,675,682 A * 10/1997 De Marchi H01R 13/6275
385/139
6,024,498 A * 2/2000 Carlisle G02B 6/3888
385/59
6,212,324 B1 * 4/2001 Lin G02B 6/3879
385/136
6,357,934 B1 * 3/2002 Driscoll G02B 6/3869
385/59

FOREIGN PATENT DOCUMENTS

WO WO-2010024859 A1 * 3/2010 G02B 6/3825

OTHER PUBLICATIONS

AJW Fiber Optic Adapter Fiber Coupler Clear Type, dated Aug. 12, 2019, [online], [site visited Sep. 20, 2022]. Available from Internet, URL: https://www.youtube.com/watch?v=_GvQTIw-iyw (Year: 2019).
FS Community Fiber Optic Adapter/Coupler Tutorial, dated Apr. 16, 2020, [online], [site visited Sep. 20, 2022]. Available from Internet, URL: <https://community.fs.com/blog/fiber-optic-adaptercoupler-tutorial.html> (Year: 2020).*

* cited by examiner

Primary Examiner — Shawn T Gingrich

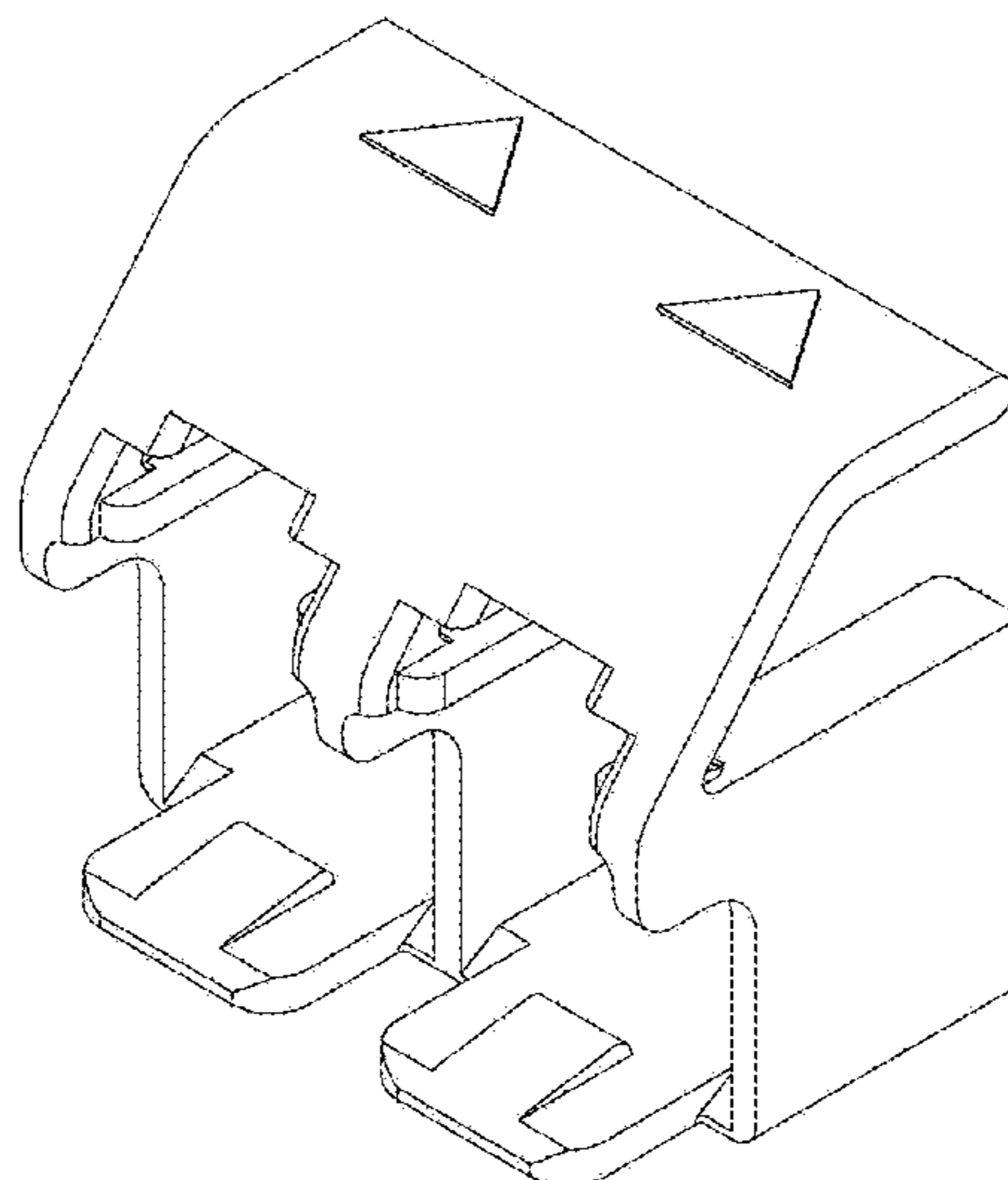
(57) **CLAIM**

The ornamental design for a housing for optical connector, as shown and described.

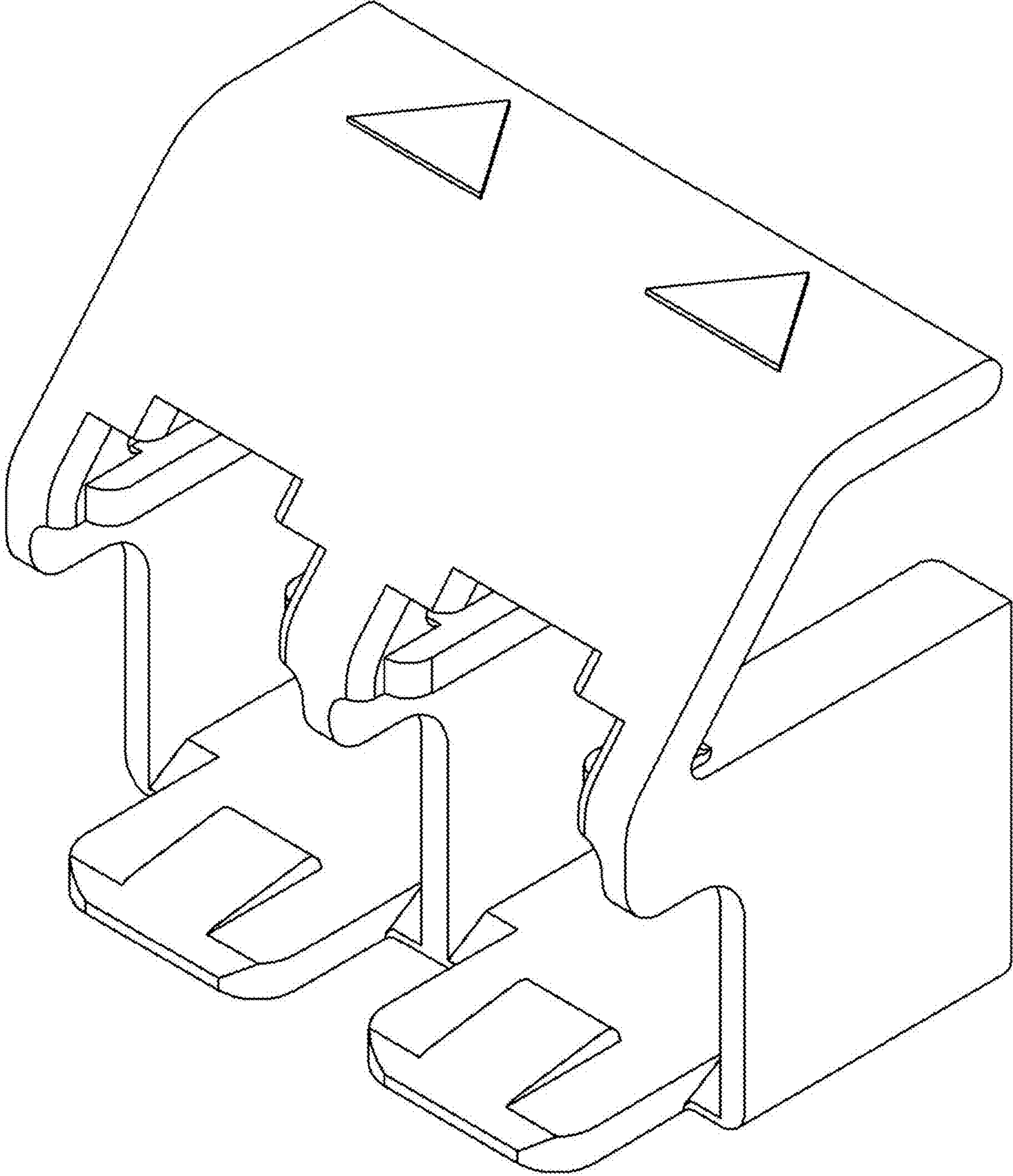
DESCRIPTION

- 1. Housing for optical connector
- 1.1 : Perspective
- 1.2 : Front
- 1.3 : Back
- 1.4 : Top
- 1.5 : Bottom
- 1.6 : Left
- 1.7 : Right

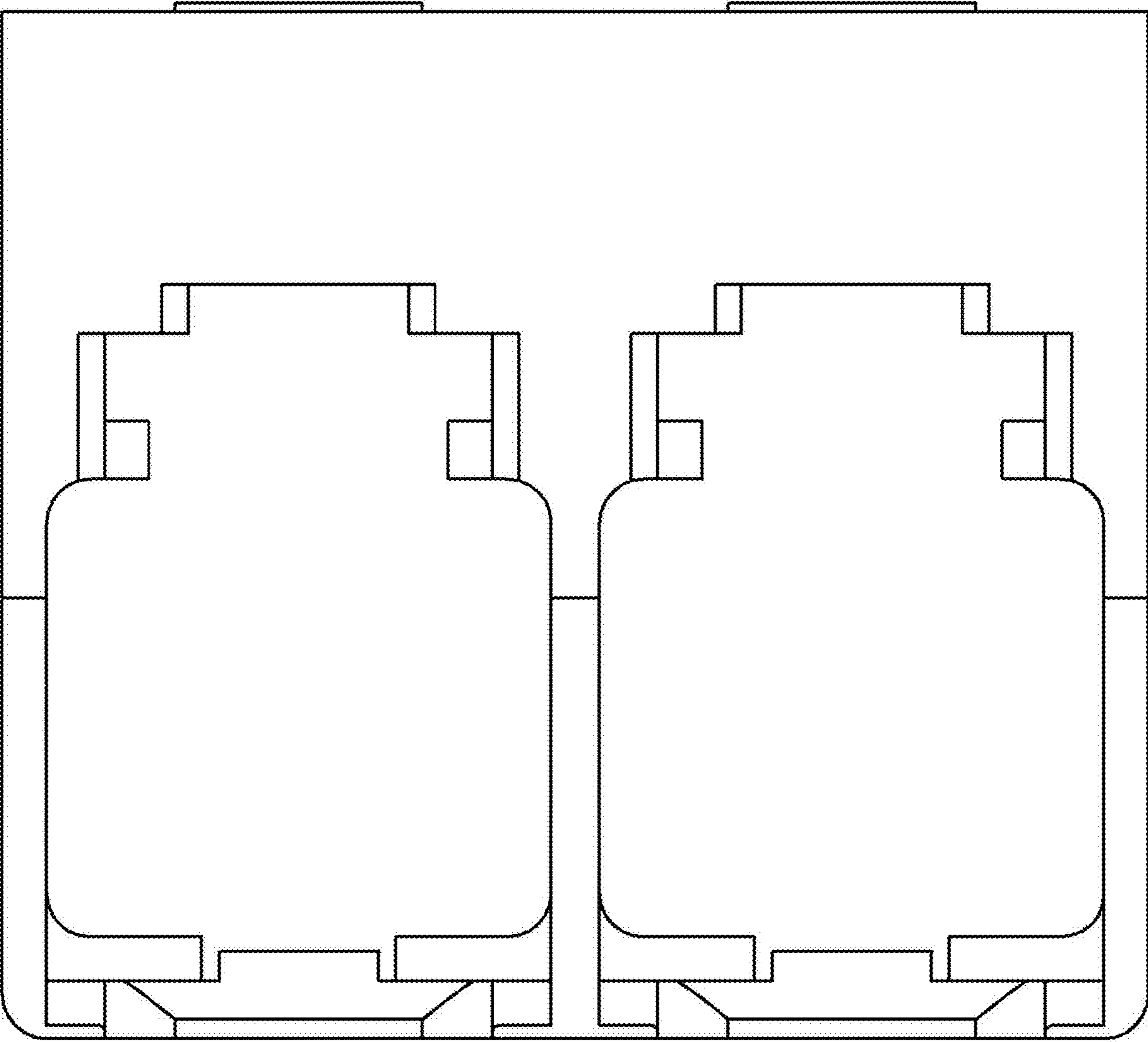
1 Claim, 7 Drawing Sheets



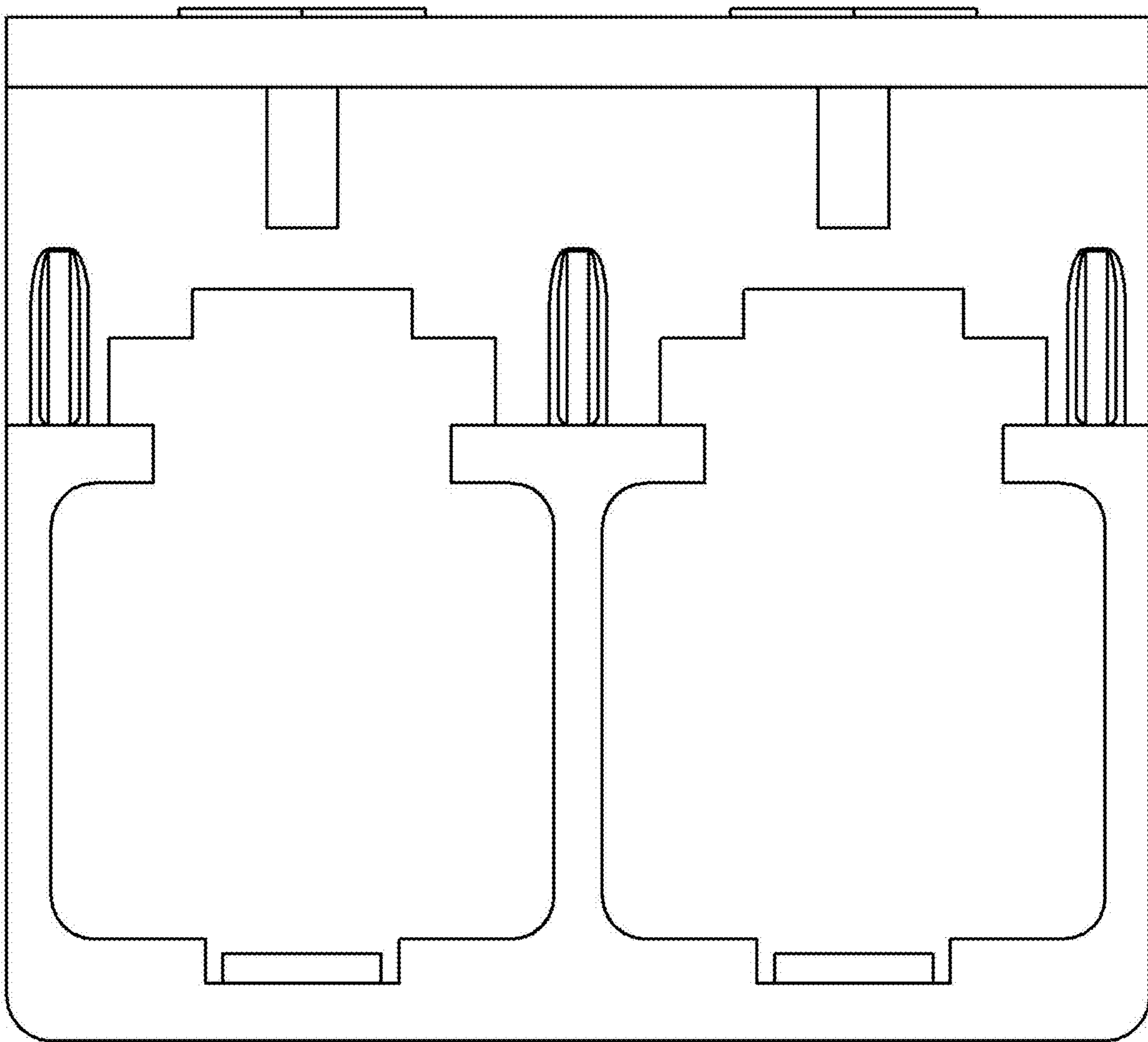
1.1



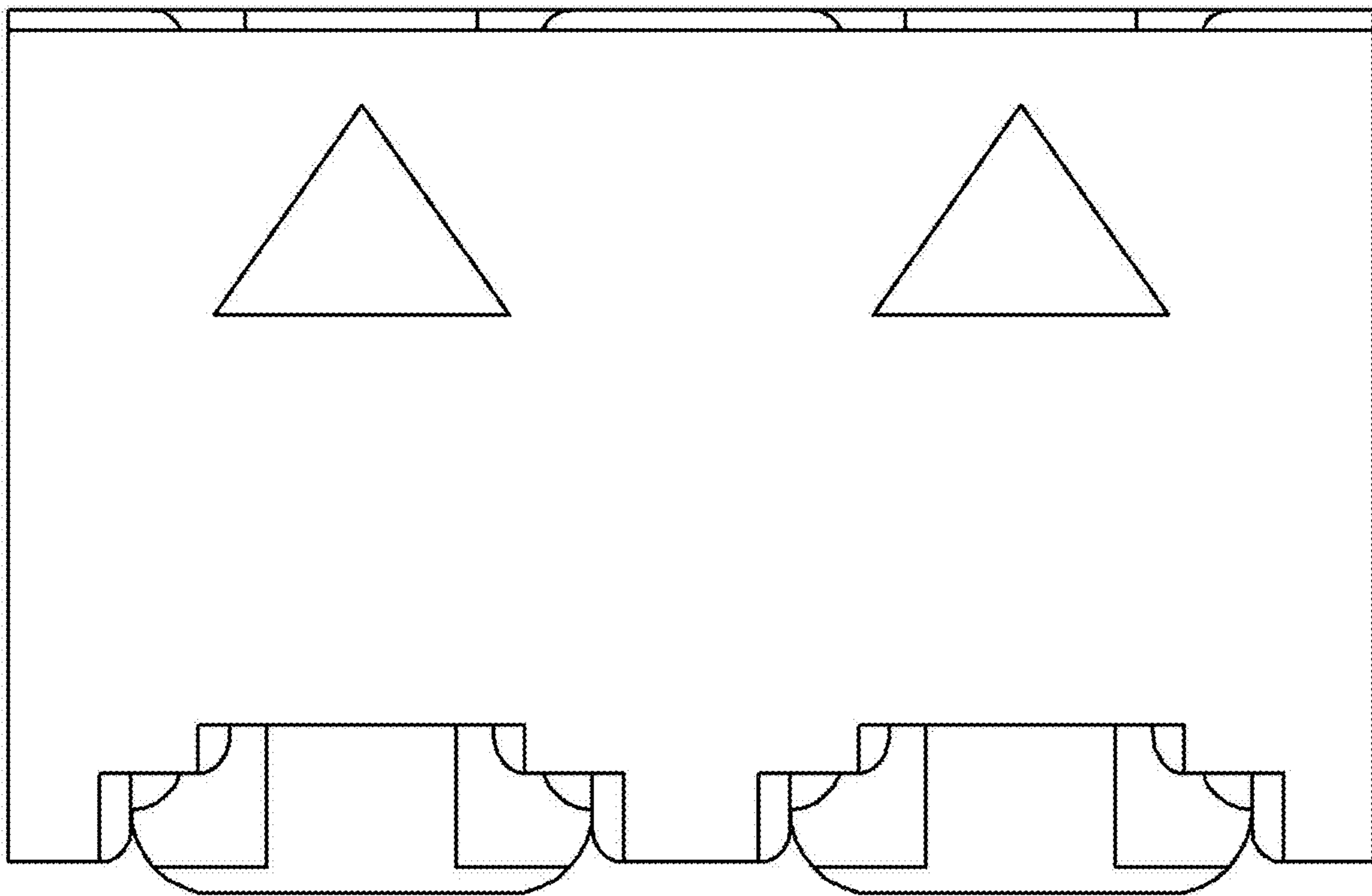
1.2



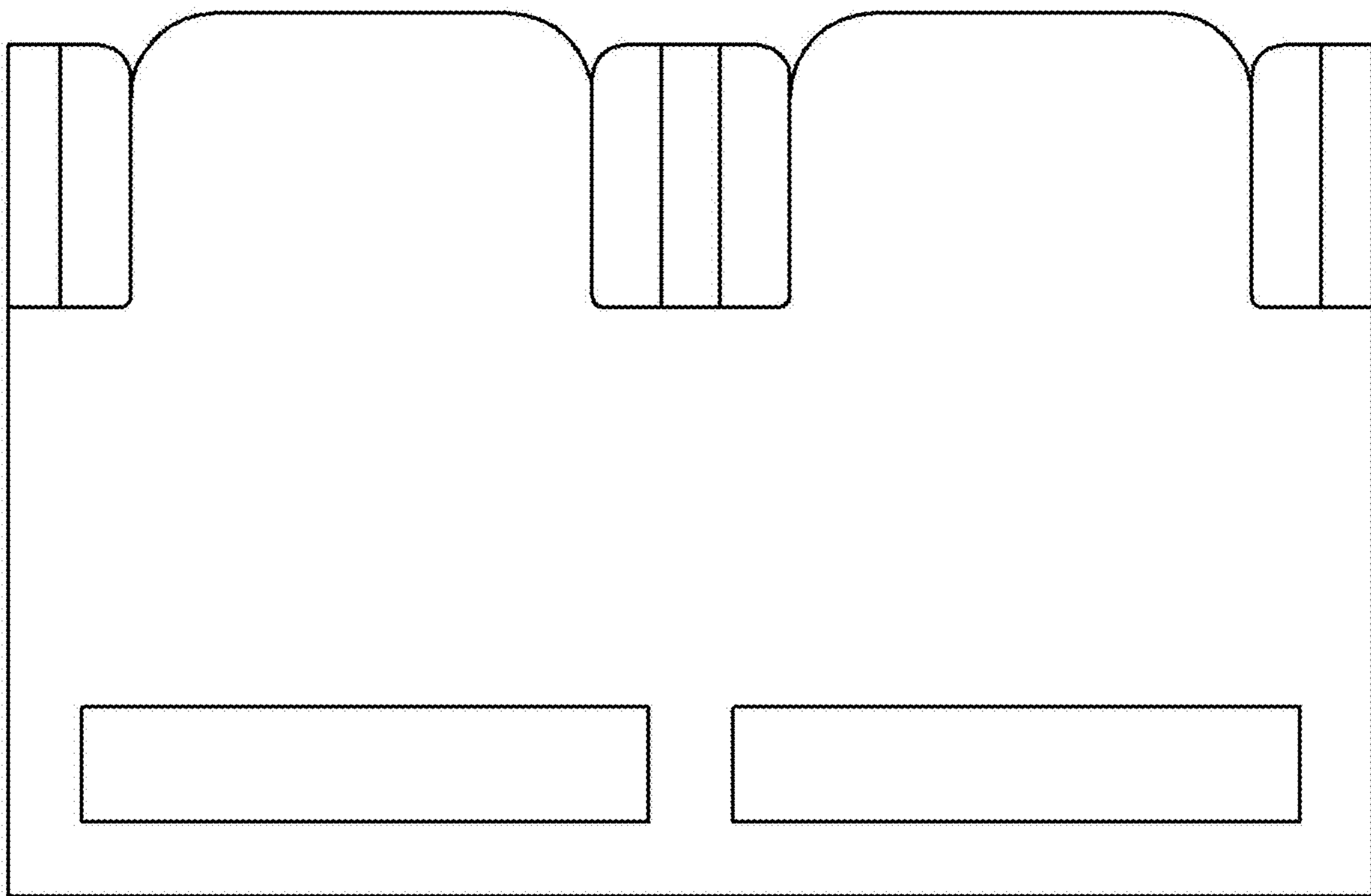
1.3



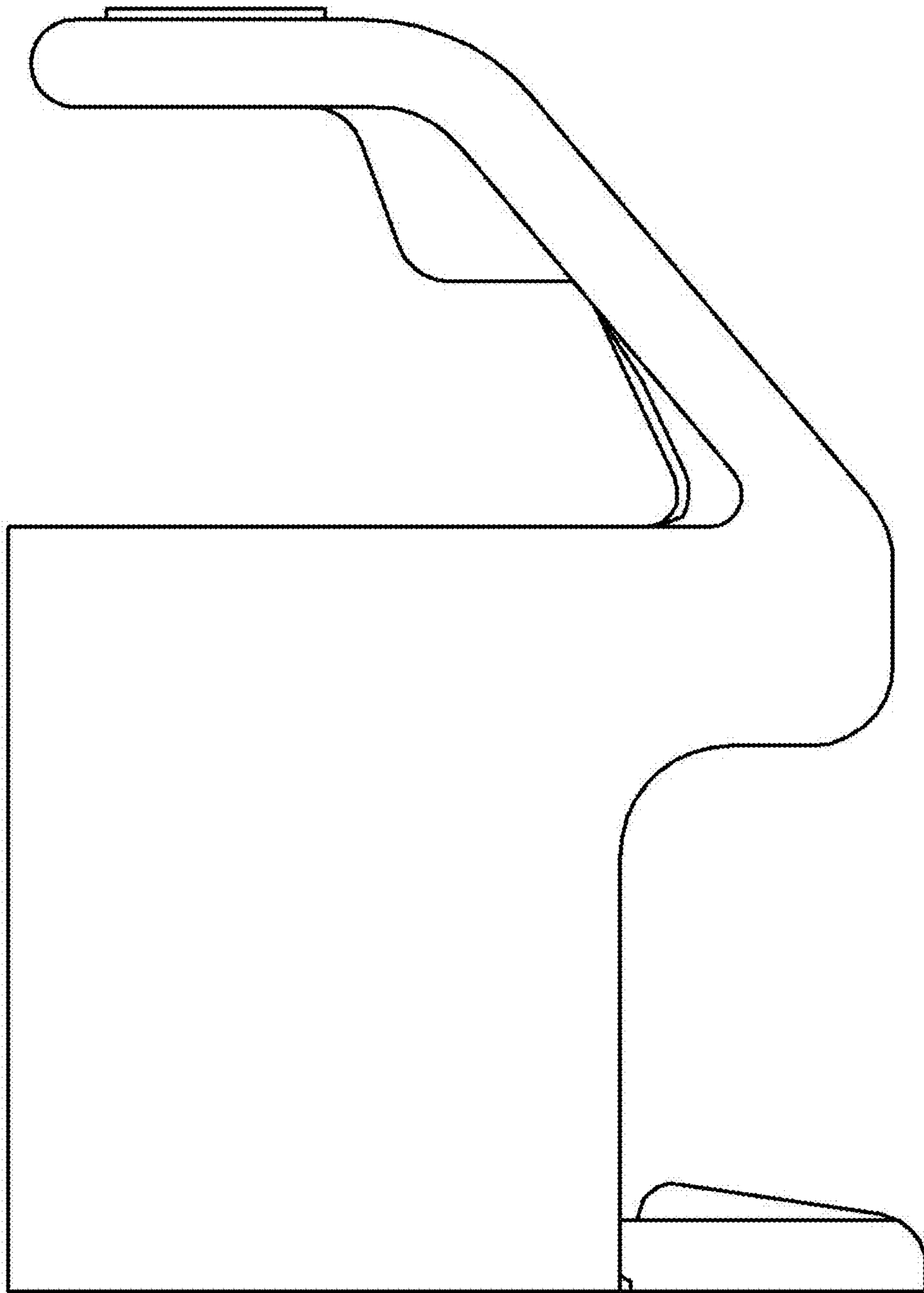
1.4



1.5



1.6



1.7

