



US00D973592S

(12) **United States Design Patent**
Schichl

(10) **Patent No.:** **US D973,592 S**

(45) **Date of Patent:** **** Dec. 27, 2022**

(54) **CONNECTOR**

(71) Applicant: **Rosenberger Hochfrequenztechnik GmbH & Co. KG**, Fridolfing (DE)

(72) Inventor: **Markus Schichl**, Seekirchen (AT)

(73) Assignee: **ROSENBERGER HOCHFREQUENZTECHNIK GMBH & CO. KG**, Fridolfing (DE)

(**) Term: **15 Years**

(21) Appl. No.: **35/510,949**

(22) Filed: **Nov. 10, 2020**

(80) **Hague Agreement Data**

Int. Filing Date: **Nov. 10, 2020**

Int. Reg. No.: **DM/211530**

Int. Reg. Date: **Nov. 10, 2020**

Int. Reg. Pub. Date: **Dec. 11, 2020**

(51) **LOC (13) Cl.** **13-03**

(52) **U.S. Cl.**
USPC **D13/133**

(58) **Field of Classification Search**
USPC D13/133, 147, 199, 120, 146
CPC H01R 13/6205; H01R 13/625;
G02B 6/3893; G02B 6/3891
See application file for complete search history.

(56) **References Cited**

U.S. PATENT DOCUMENTS

D374,212 S * 10/1996 Fukao D13/146
D602,433 S * 10/2009 Katou D13/120

D698,729 S * 2/2014 Fukushima D13/146
D777,106 S * 1/2017 Katagiyama D13/133
D789,298 S * 6/2017 Dobler D13/133
D840,934 S * 2/2019 Marchesi D13/120
D864,115 S * 10/2019 Ishiguro D13/133
D941,778 S * 1/2022 Schichl D13/147
2009/0305542 A1 * 12/2009 Masuzaki G02B 6/3891
439/271
2014/0065872 A1 * 3/2014 Yamada H01R 13/625
439/357
2019/0004261 A1 * 1/2019 Koch G02B 6/3893
2020/0161805 A1 * 5/2020 Michelmann H01R 13/6205

* cited by examiner

Primary Examiner — Rhea Shields

(74) *Attorney, Agent, or Firm* — Fay Sharpe LLP

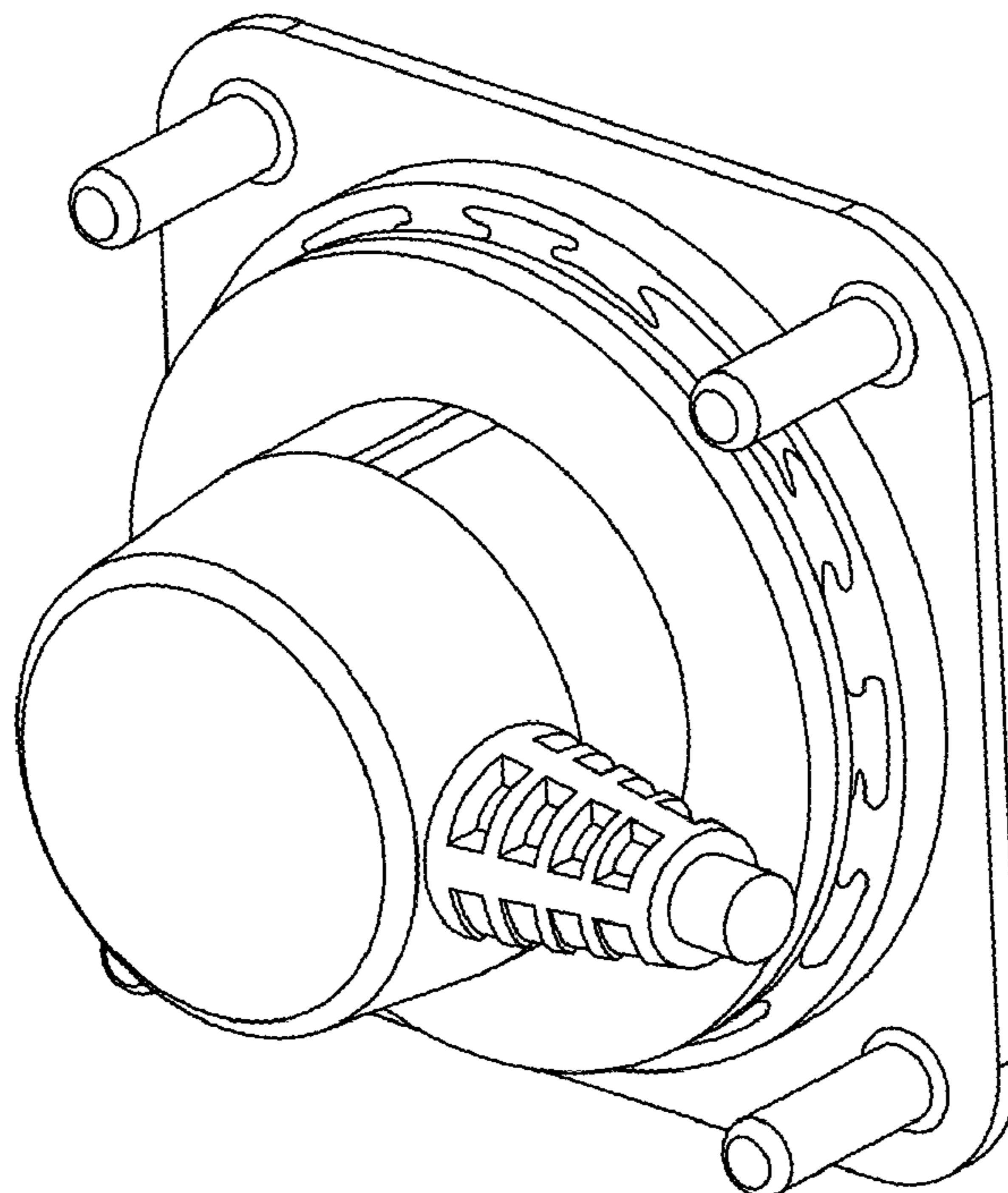
(57) **CLAIM**

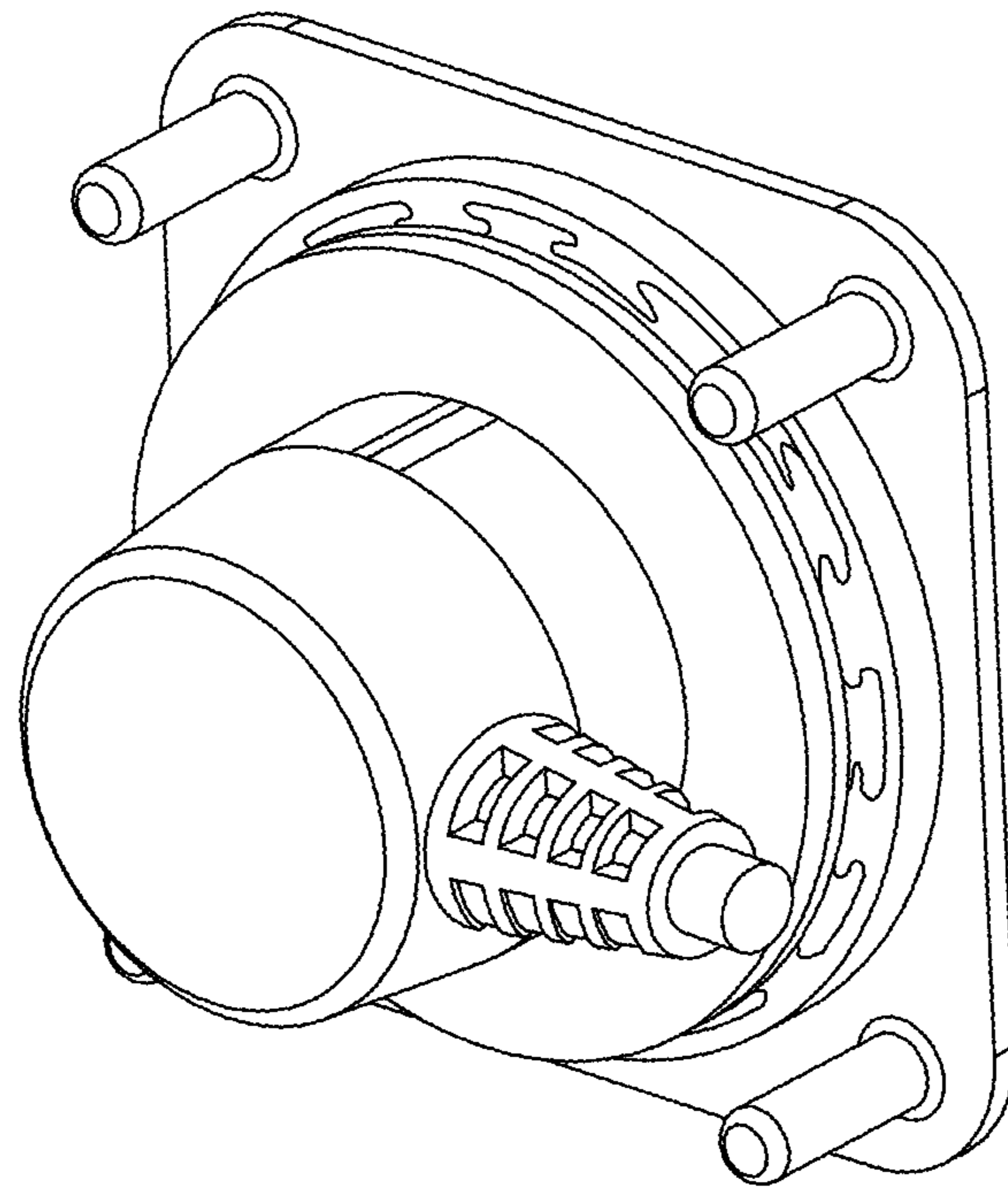
The ornamental design for a connector, as shown and described.

DESCRIPTION

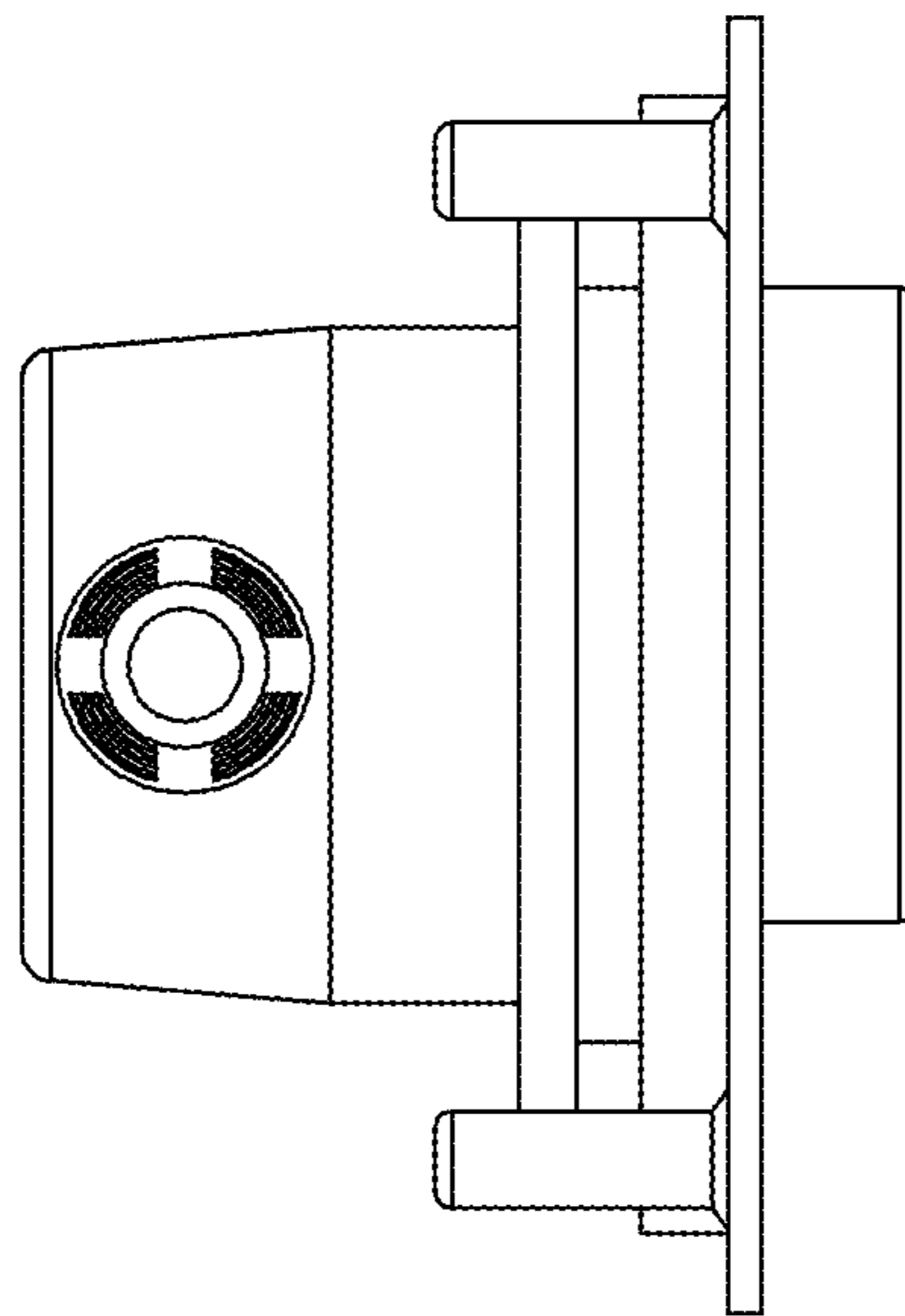
- 1.1 is a front perspective view thereof;
- 1.2 is a side view thereof;
- 1.3 is a top view thereof;
- 1.4 is a rear perspective view thereof;
- 1.5 is a bottom view thereof;
- 1.6 is a front view thereof; and
- 1.7 is a rear view thereof.

1 Claim, 7 Drawing Sheets

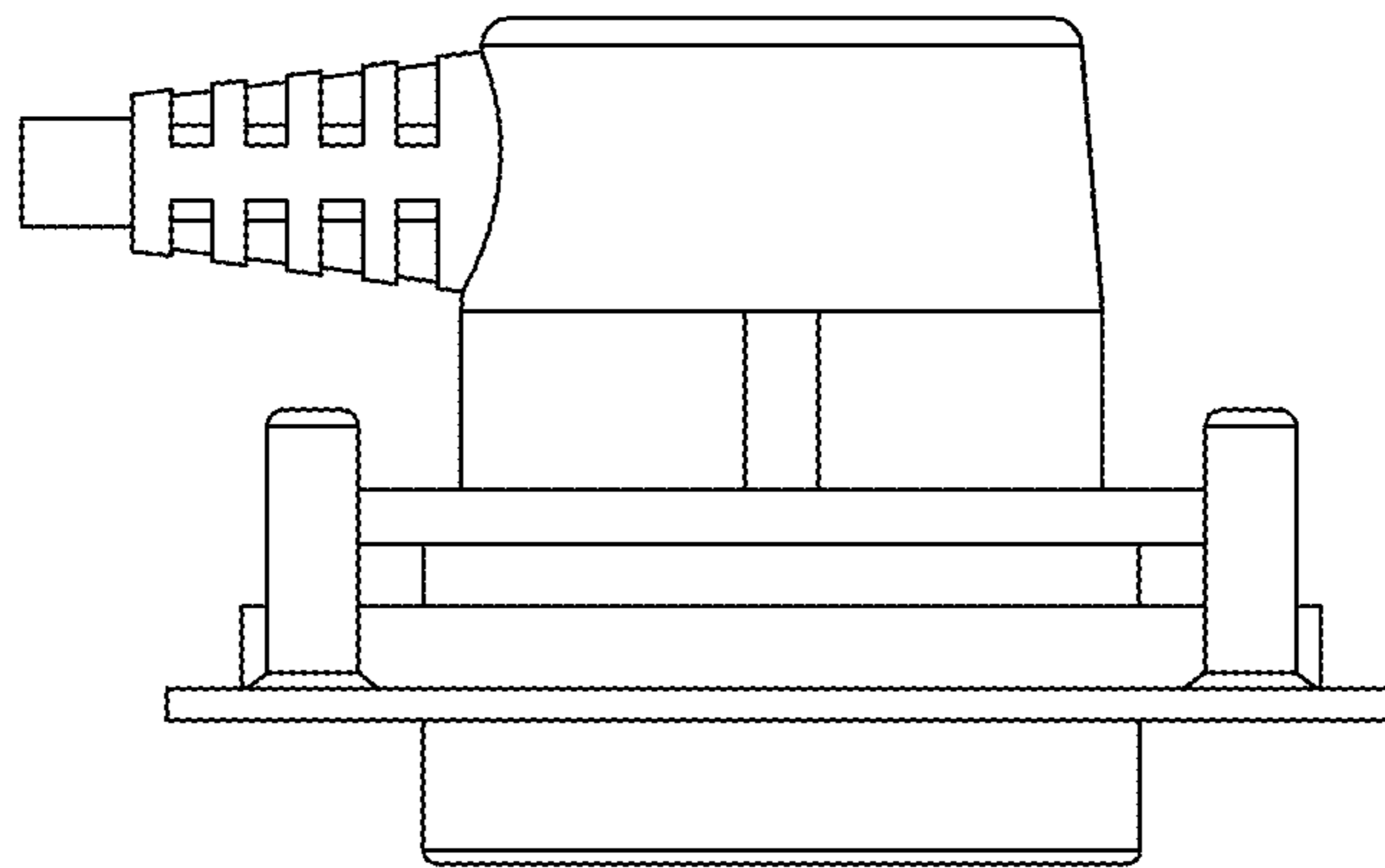


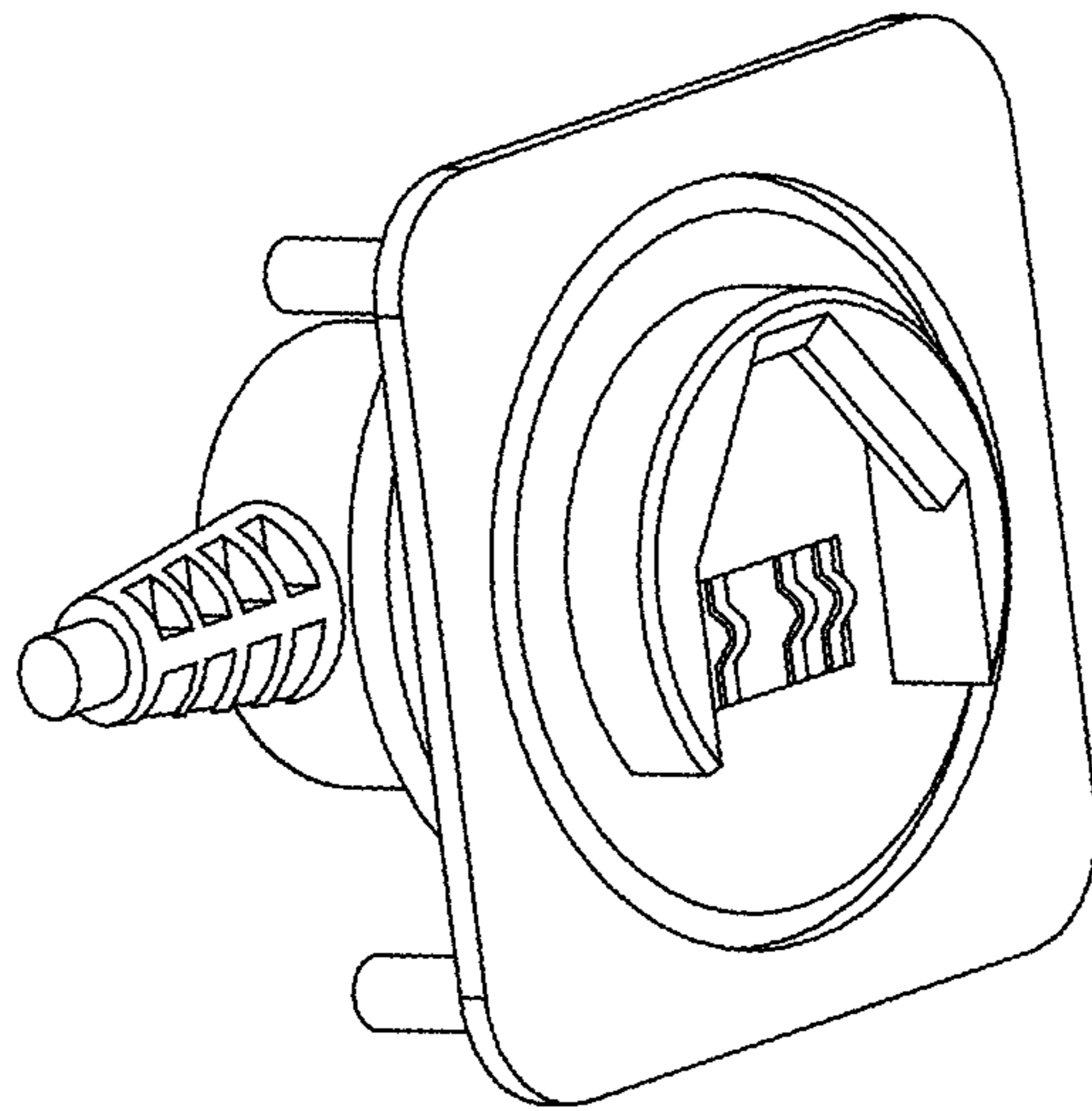


1.1

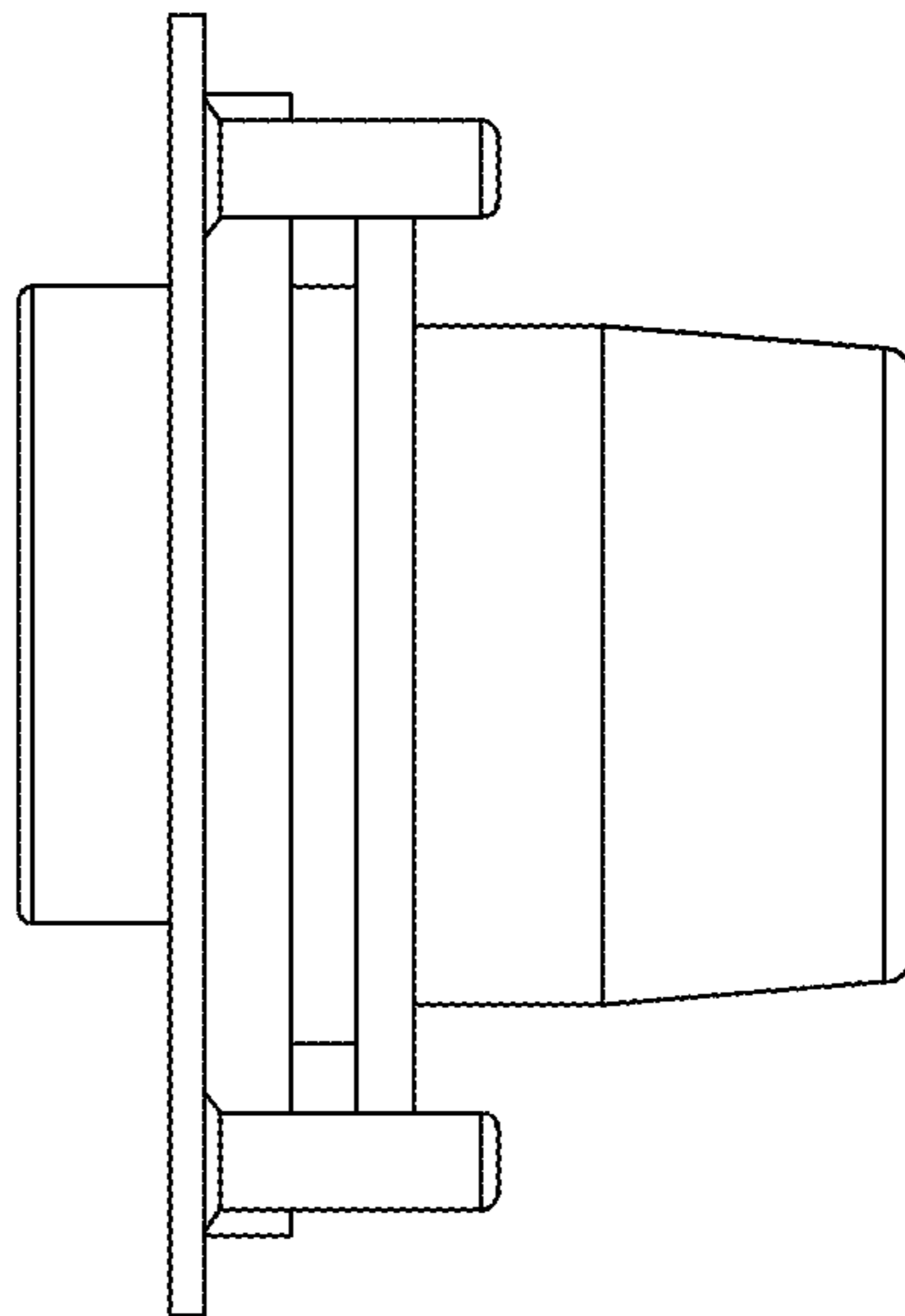


1.2

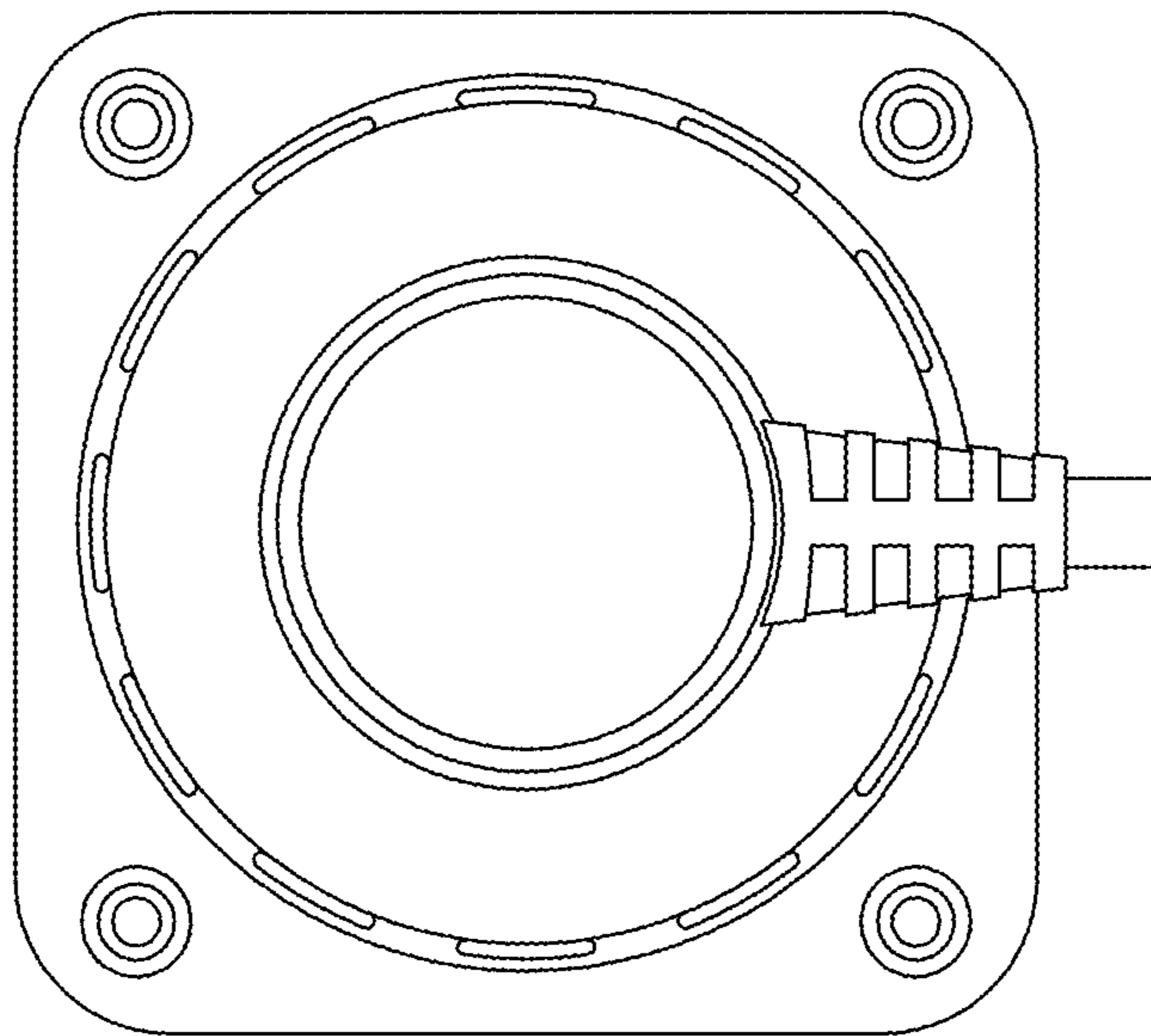




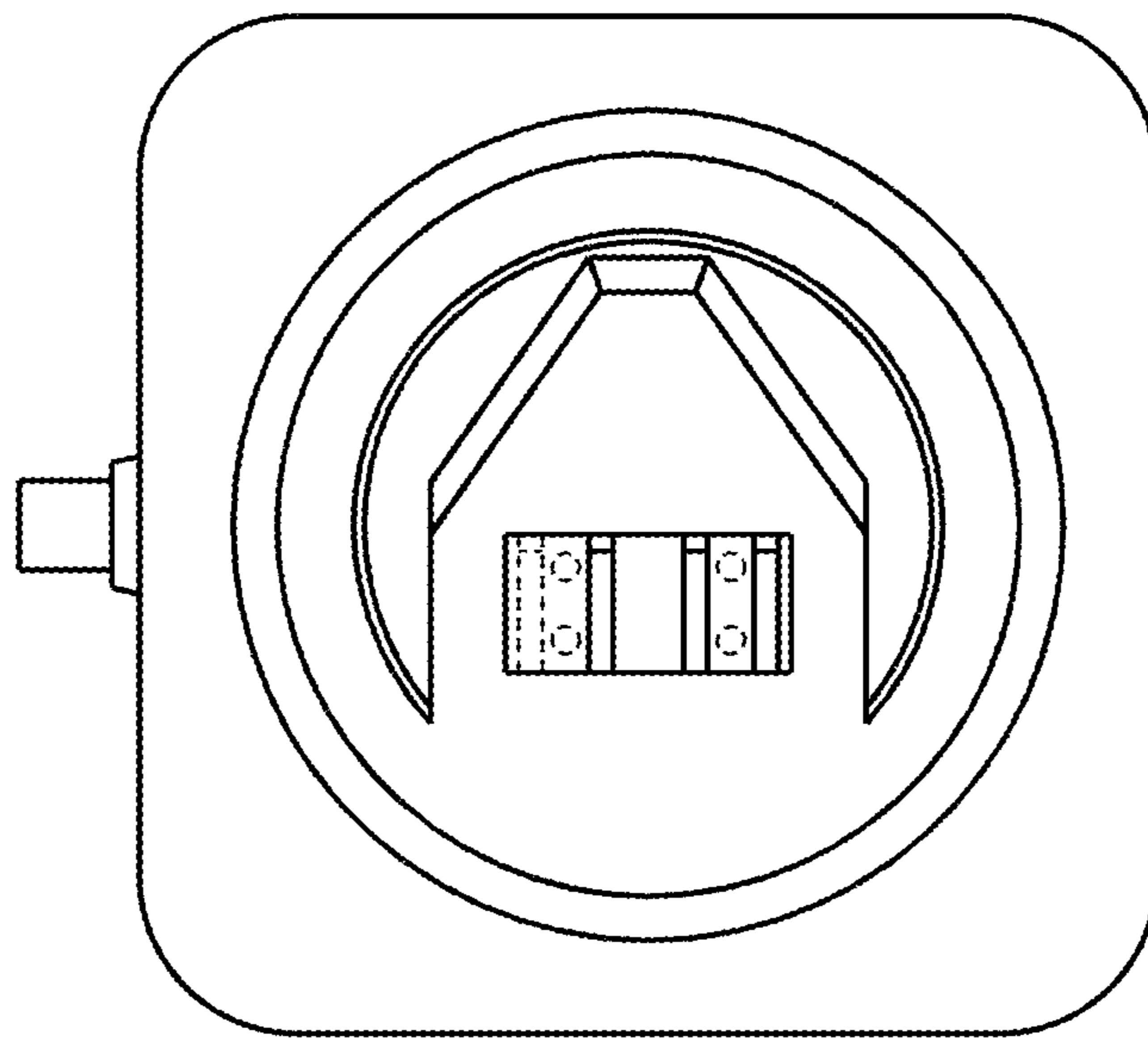
1.4



1.5



1.6



1.7