



US00D973591S

(12) **United States Design Patent** (10) **Patent No.:** **US D973,591 S**
Okayasu et al. (45) **Date of Patent:** **** Dec. 27, 2022**

(54) **ELECTRICAL CONNECTOR SHELL**

(71) Applicant: **SUMITOMO WIRING SYSTEMS, LTD.**, Mie-ken (JP)

(72) Inventors: **Yasushi Okayasu**, Yokkaichi (JP);
Asuka Kobayashi, Yokkaichi (JP)

(73) Assignee: **SUMITOMO WIRING SYSTEMS, LTD.**, Mie-Ken (JP)

(**) Term: **15 Years**

(21) Appl. No.: **29/771,702**

(22) Filed: **Feb. 24, 2021**

(30) **Foreign Application Priority Data**

Aug. 27, 2020 (JP) 2020-018008 D

(51) **LOC (13) Cl.** **13-03**

(52) **U.S. Cl.**
USPC **D13/133**

(58) **Field of Classification Search**
USPC D10/78; D13/119, 120, 133-136,
D13/146-147, 148, 154, 160, 162, 199
CPC H01R 13/506; H01R 13/5202; H01R
13/5205; H01R 13/62938; H01R 13/6596;
H01R 35/025; H01R 4/34; H02G 3/0462
See application file for complete search history.

(56) **References Cited**

U.S. PATENT DOCUMENTS

D389,457 S *	1/1998	Beranek	D13/133
D511,469 S *	11/2005	Aromin	D13/160
D595,170 S *	6/2009	Masters	D10/78
D751,434 S *	3/2016	Nadeau	D10/78
9,293,878 B2 *	3/2016	Tashiro	H01R 35/025
9,343,842 B2 *	5/2016	Tashiro	H01R 13/506
D902,866 S *	11/2020	Neumann	D13/146

2011/0312201 A1 *	12/2011	Deno	H01R 13/5205 439/271
2012/0142214 A1 *	6/2012	Kawamura	H01R 4/34 439/571
2012/0270444 A1 *	10/2012	Kawamura	H01R 13/5202 439/607.44
2014/0004740 A1 *	1/2014	Uno	H01R 13/6596 439/607.58
2015/0295352 A1 *	10/2015	Kim	H01R 13/62938 439/157
2016/0284439 A1 *	9/2016	Suzuki	H02G 3/0462

FOREIGN PATENT DOCUMENTS

WO	WO-2021172044	A1 *	9/2021
WO	WO-2021172045	A1 *	9/2021
WO	WO-2021172047	A1 *	9/2021
WO	WO-2021172048	A1 *	9/2021

* cited by examiner

Primary Examiner — Shawn T Gingrich

Assistant Examiner — Bryan N. Melvin

(74) *Attorney, Agent, or Firm* — Cantor Colburn LLP

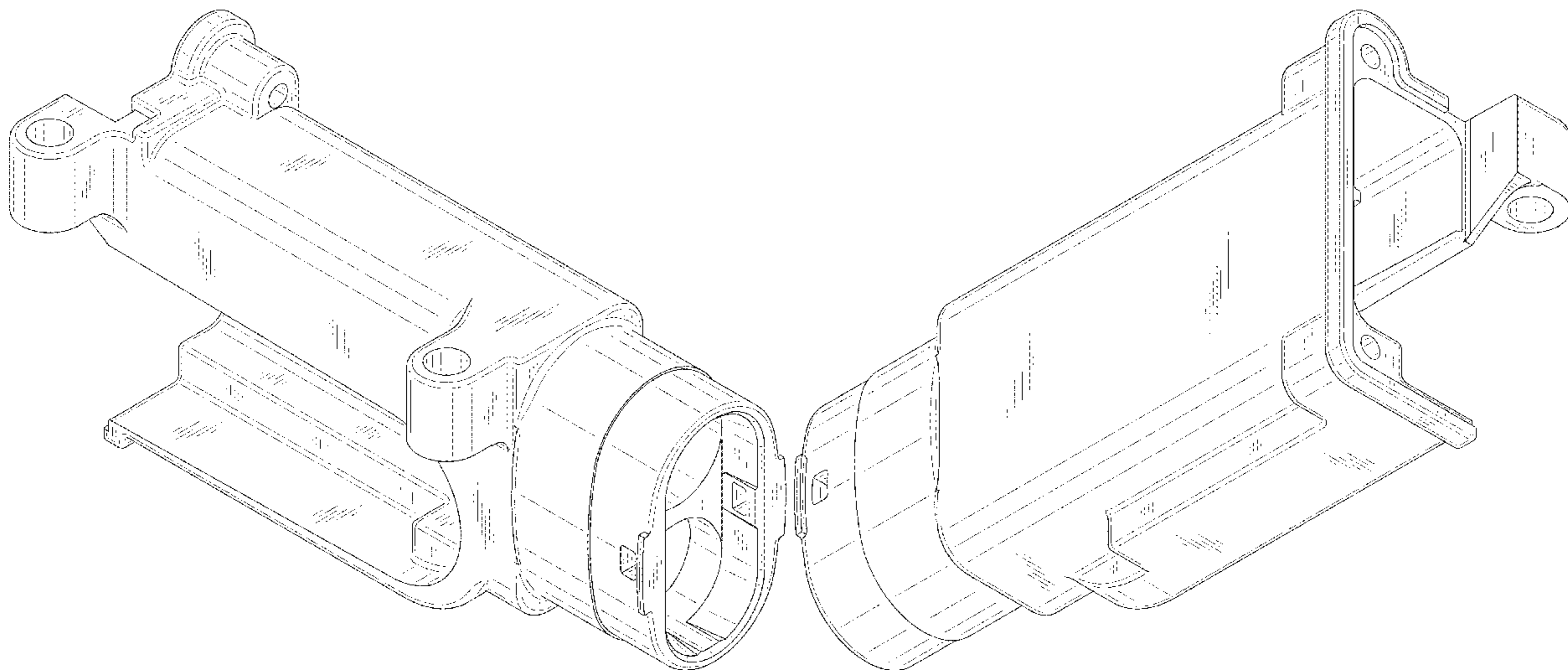
(57) **CLAIM**

The ornamental design for an electrical connector shell, as shown and described.

DESCRIPTION

FIG. 1 is a front, top and right side perspective view of an electrical connector shell showing our new design; FIG. 2 is a rear, bottom and left side perspective view thereof; FIG. 3 is a front view thereof; FIG. 4 is a rear view thereof; FIG. 5 is a top plan view thereof; FIG. 6 is a bottom plan view thereof; FIG. 7 is a right side view thereof; and, FIG. 8 is a left side view thereof.

1 Claim, 8 Drawing Sheets



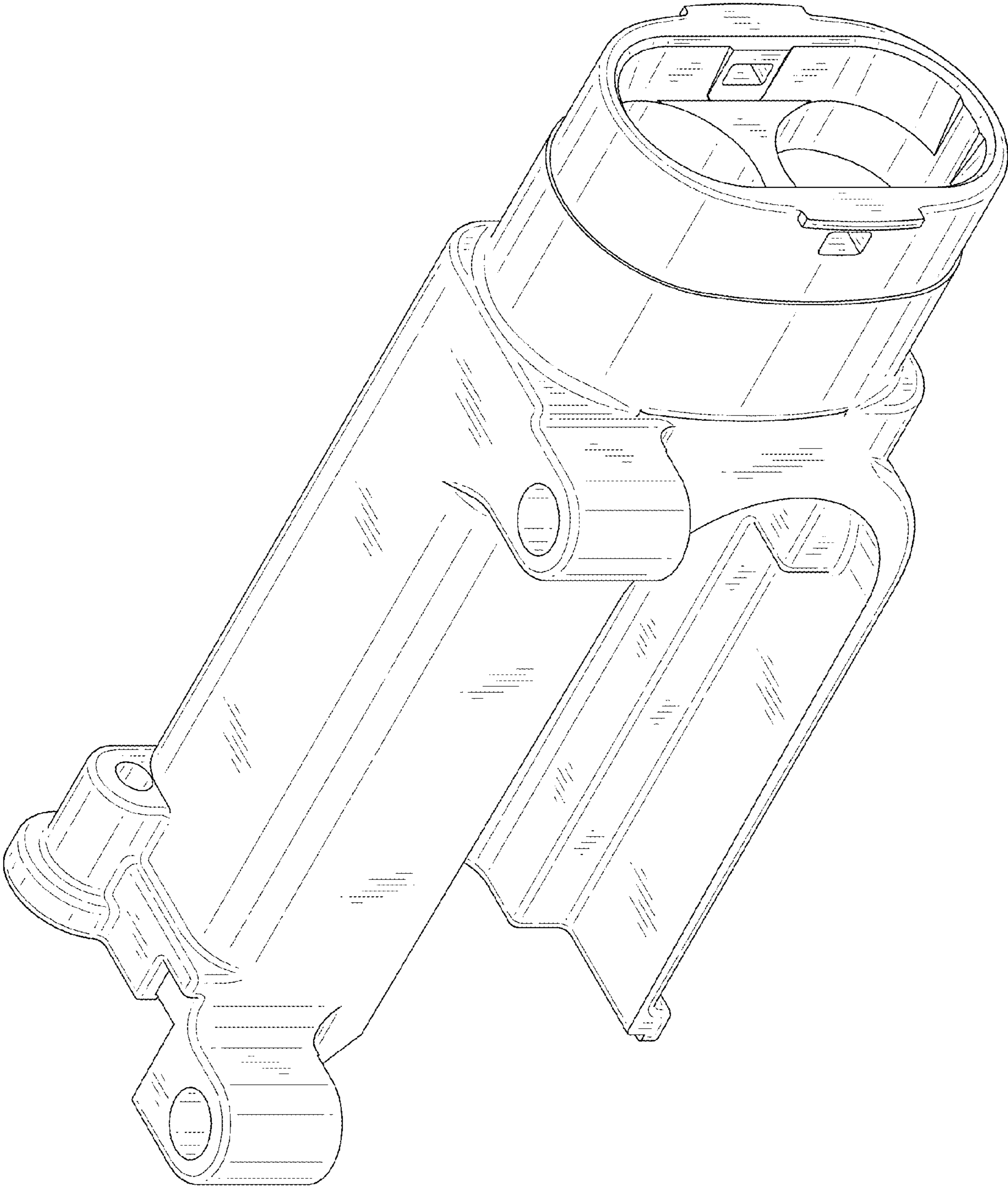


FIG.1

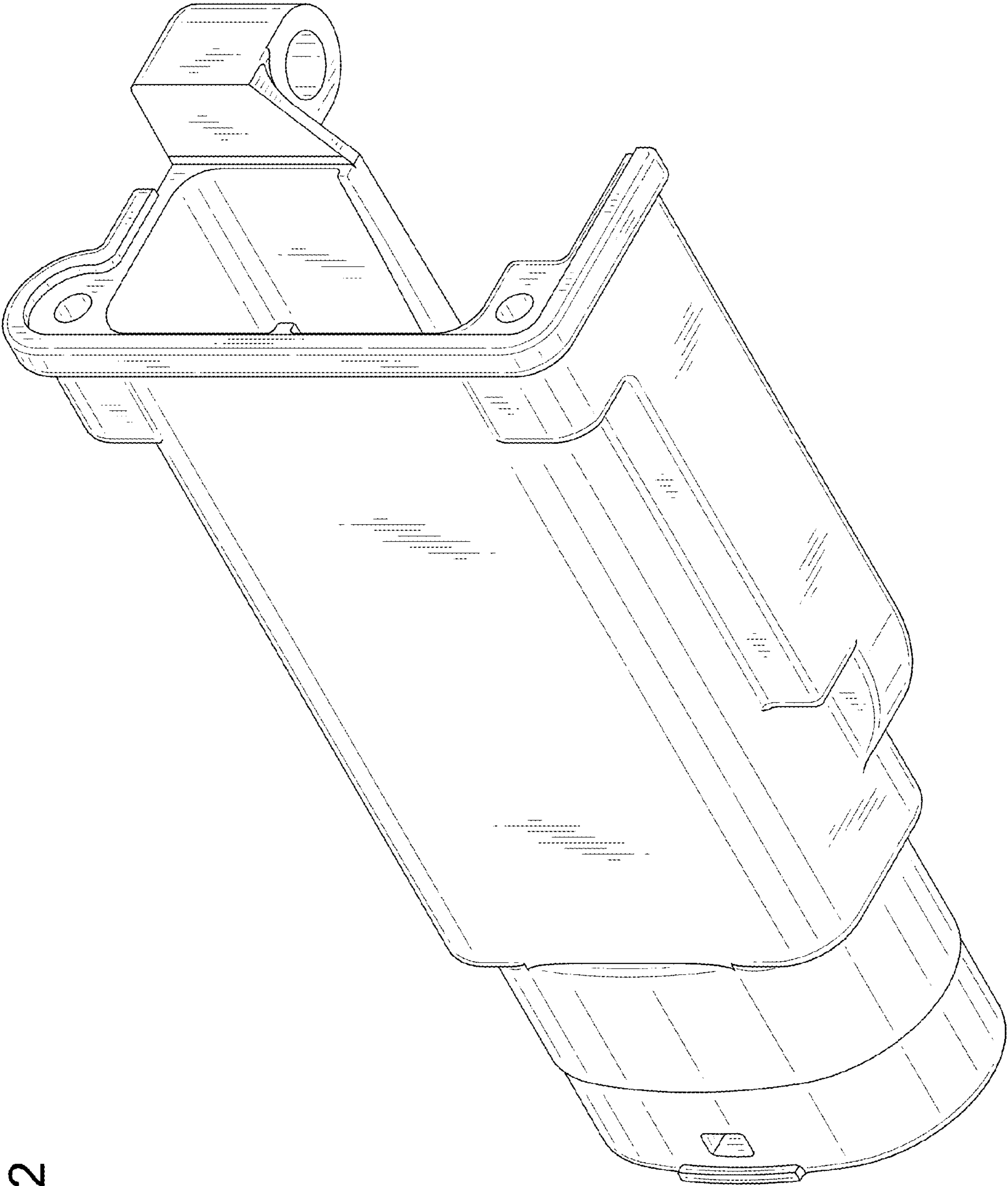


FIG.2

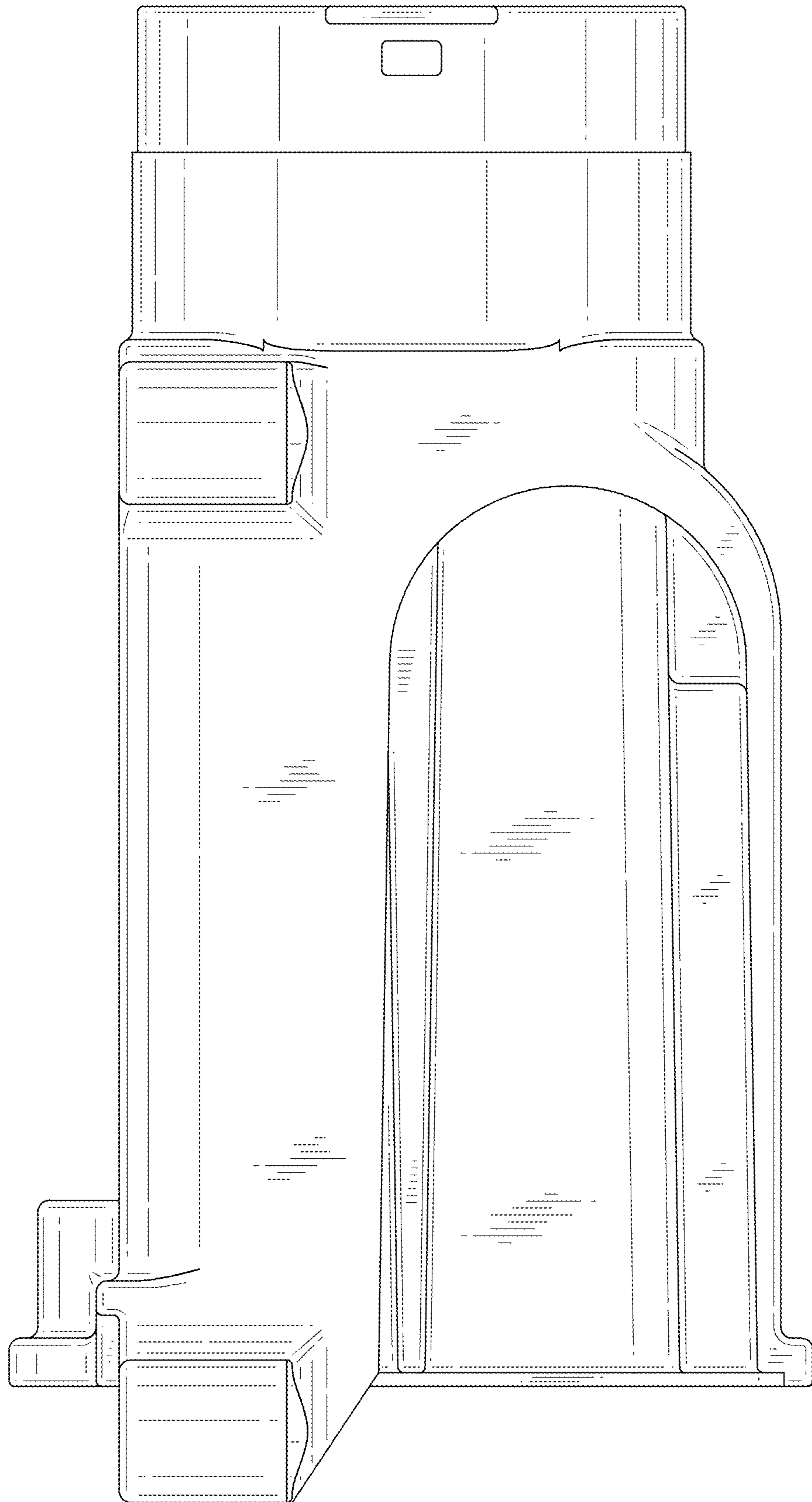


FIG.3

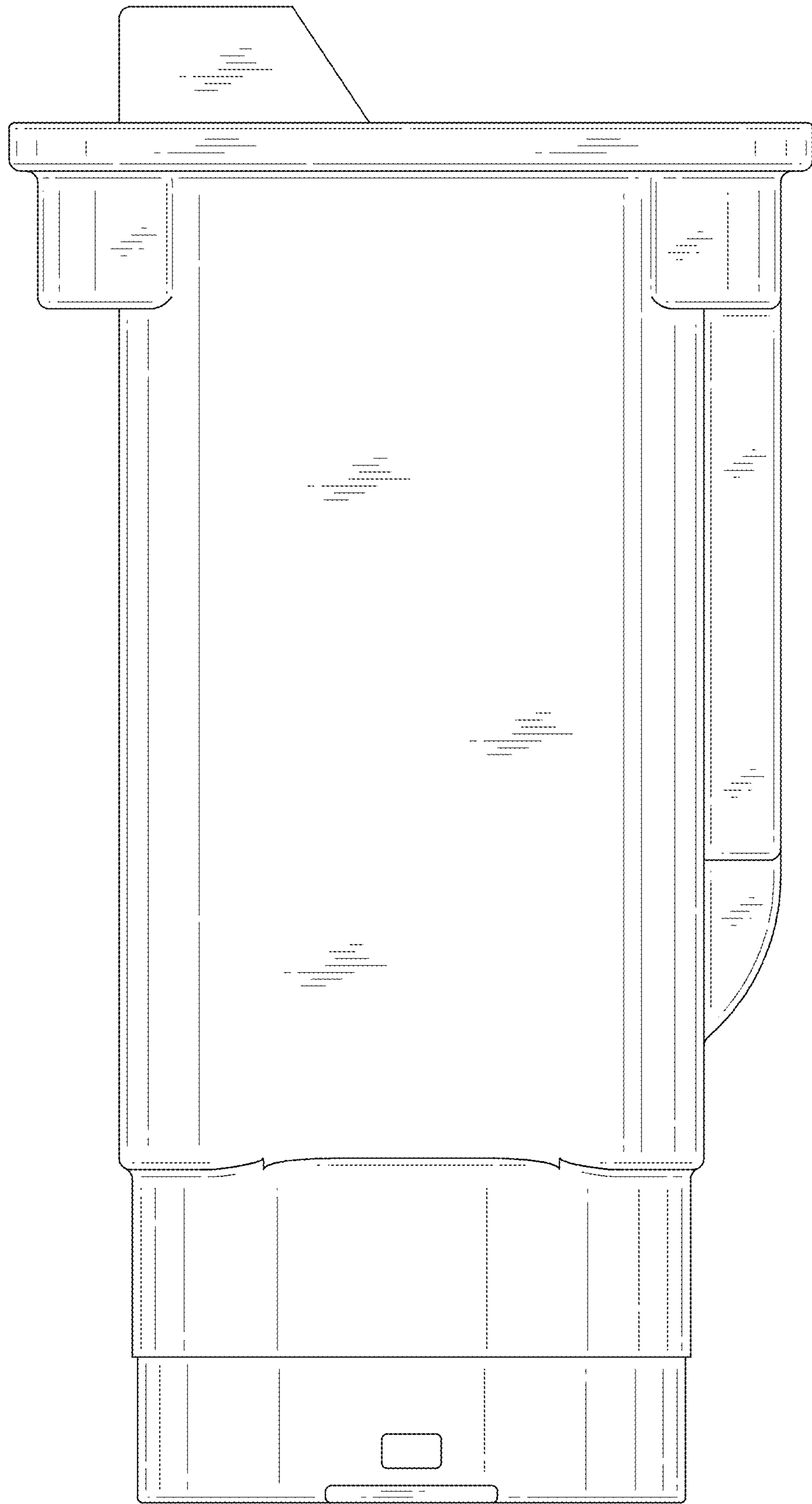


FIG.4

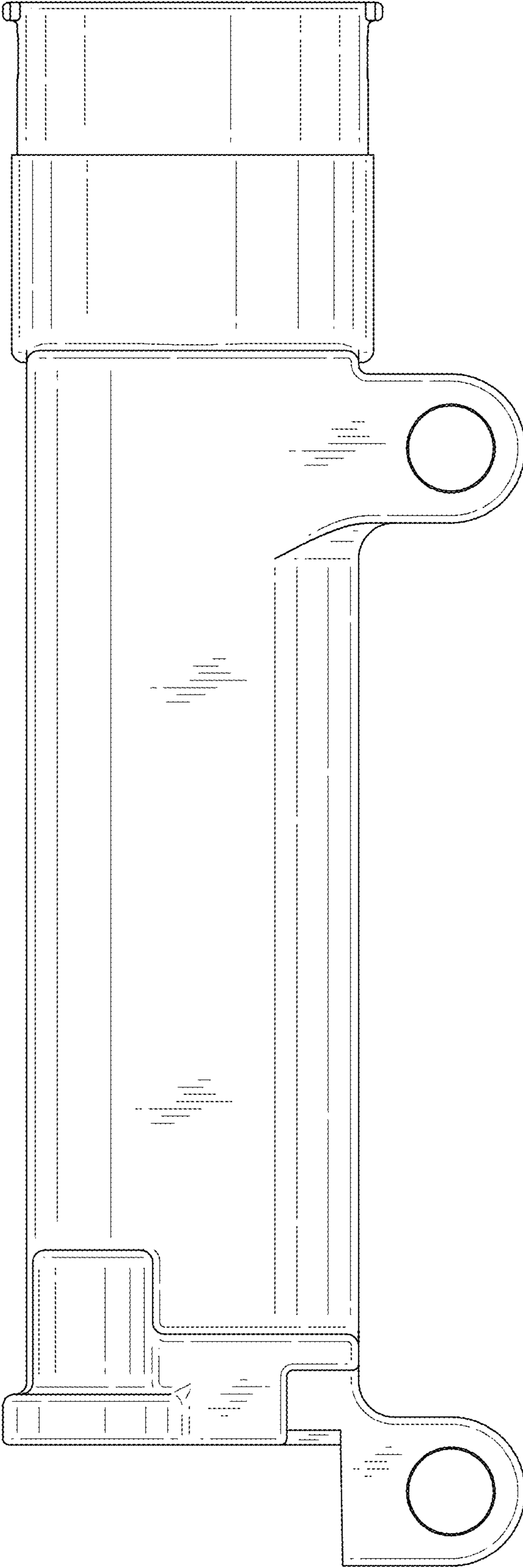


FIG.5

FIG.6

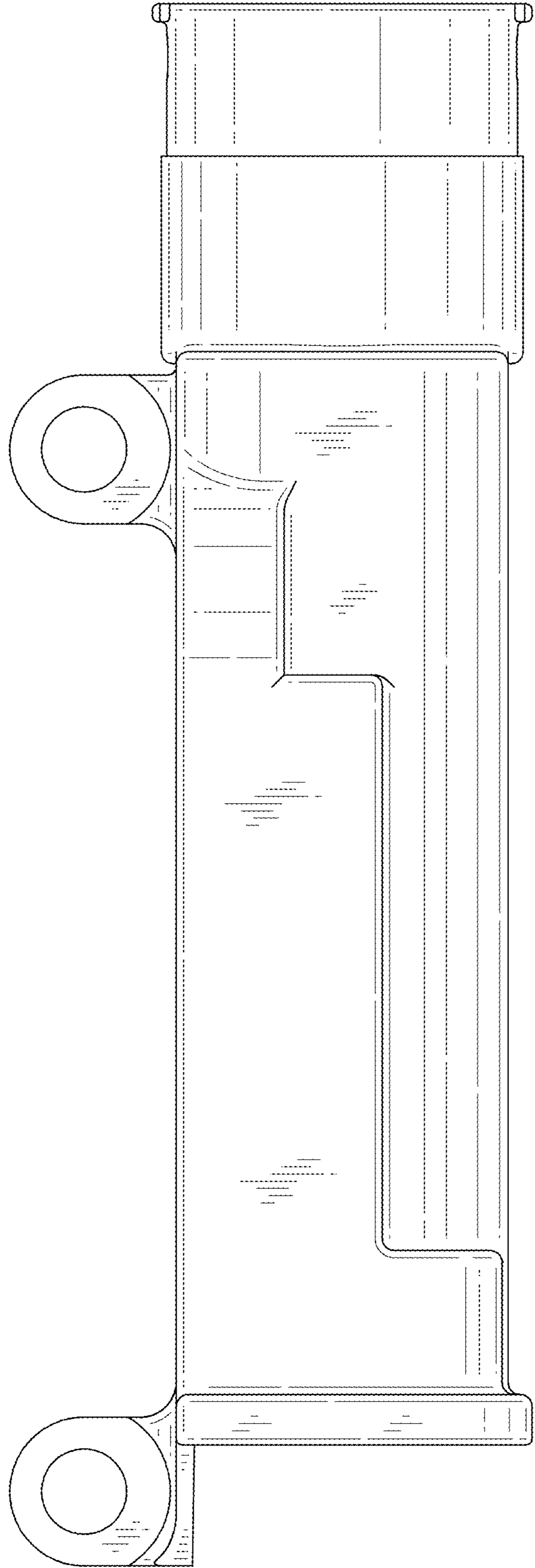


FIG.7

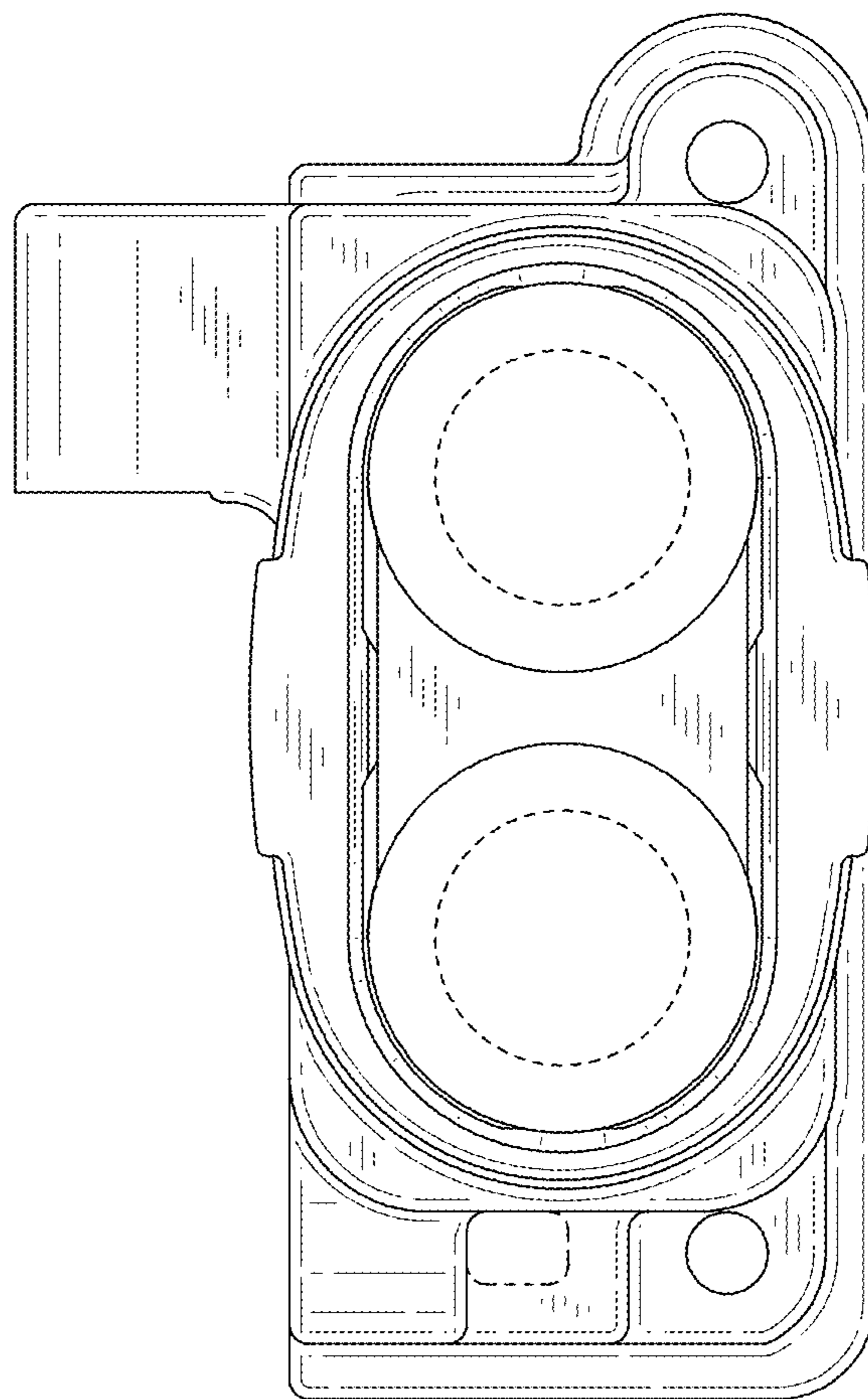


FIG.8

