



US00D973590S

(12) **United States Design Patent** (10) **Patent No.:** **US D973,590 S**  
**Baek** (45) **Date of Patent:** **\*\* Dec. 27, 2022**

(54) **CONNECTION TERMINAL FOR CUTOUT SWITCH**

(71) Applicant: **NDElectric Co., Ltd.**, Gimpo-si (KR)

(72) Inventor: **Min Su Baek**, Seoul (KR)

(73) Assignee: **NDELECTRIC CO., LTD.**, Gimpo-si (KR)

(\*\*) Term: **15 Years**

(21) Appl. No.: **29/760,303**

(22) Filed: **Nov. 30, 2020**

(51) **LOC (13) Cl.** ..... **13-03**

(52) **U.S. Cl.**  
USPC ..... **D13/132**

(58) **Field of Classification Search**  
USPC ..... D13/151, 154, 133, 155, 132, 129, 160  
CPC ..... H01R 13/622; H04L 12/10; H01B 13/323;  
H01B 17/42; H01B 17/32; H01B 17/38;  
H02G 15/013; H01C 7/12  
See application file for complete search history.

(56) **References Cited**

**U.S. PATENT DOCUMENTS**

D253,171 S *	10/1979	Harris	.....	D13/132
D256,353 S *	8/1980	Evans	.....	D13/160
D314,744 S *	2/1991	Harmon	.....	D13/132
D375,079 S *	10/1996	Pazdirek	.....	D13/132
6,952,154 B2 *	10/2005	Almgren	.....	H01H 31/127 337/171
7,898,380 B2 *	3/2011	Van Heerden	.....	H01H 85/28 337/284

D643,378 S *	8/2011	Pippert	.....	D13/173
D731,428 S *	6/2015	Sorensen	.....	D13/132
9,704,674 B2 *	7/2017	Kester	.....	H01H 85/20
D822,604 S *	7/2018	Piper	.....	D13/132
D839,827 S *	2/2019	Stoner	.....	D13/129
2010/0118463 A1 *	5/2010	Smith	.....	H01C 7/12 361/117

\* cited by examiner

*Primary Examiner* — Jennifer O King

(74) *Attorney, Agent, or Firm* — Novick, Kim & Lee PLLC; Jae Youn Kim

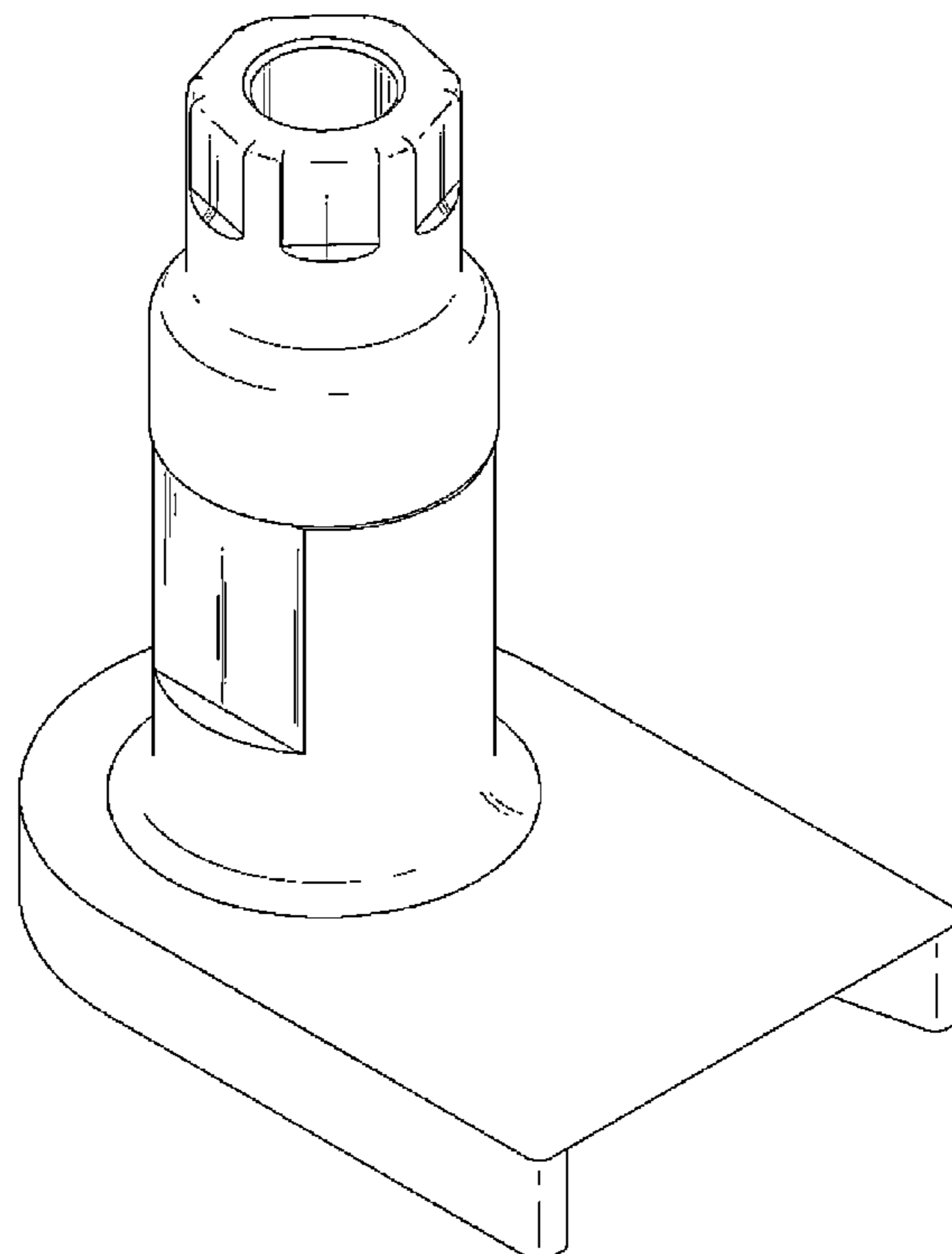
(57) **CLAIM**

I claim the ornamental design for a connection terminal for cutout switch, as shown and described.

**DESCRIPTION**

FIG. 1 is a top perspective view of a connection terminal for cutout switch, showing my new design; FIG. 2 is a front elevation view thereof; FIG. 3 is a rear elevation view thereof; FIG. 4 is a left side elevation view thereof; FIG. 5 is a right side elevation view thereof; FIG. 6 is a top plan view thereof; FIG. 7 is a bottom plan view thereof; FIG. 8 is a bottom perspective view thereof; and, FIG. 9 is a reference view thereof showing a configuration of use.  
The broken lines in the drawings show environmental structure that form no a part of the claimed design.

**1 Claim, 8 Drawing Sheets**



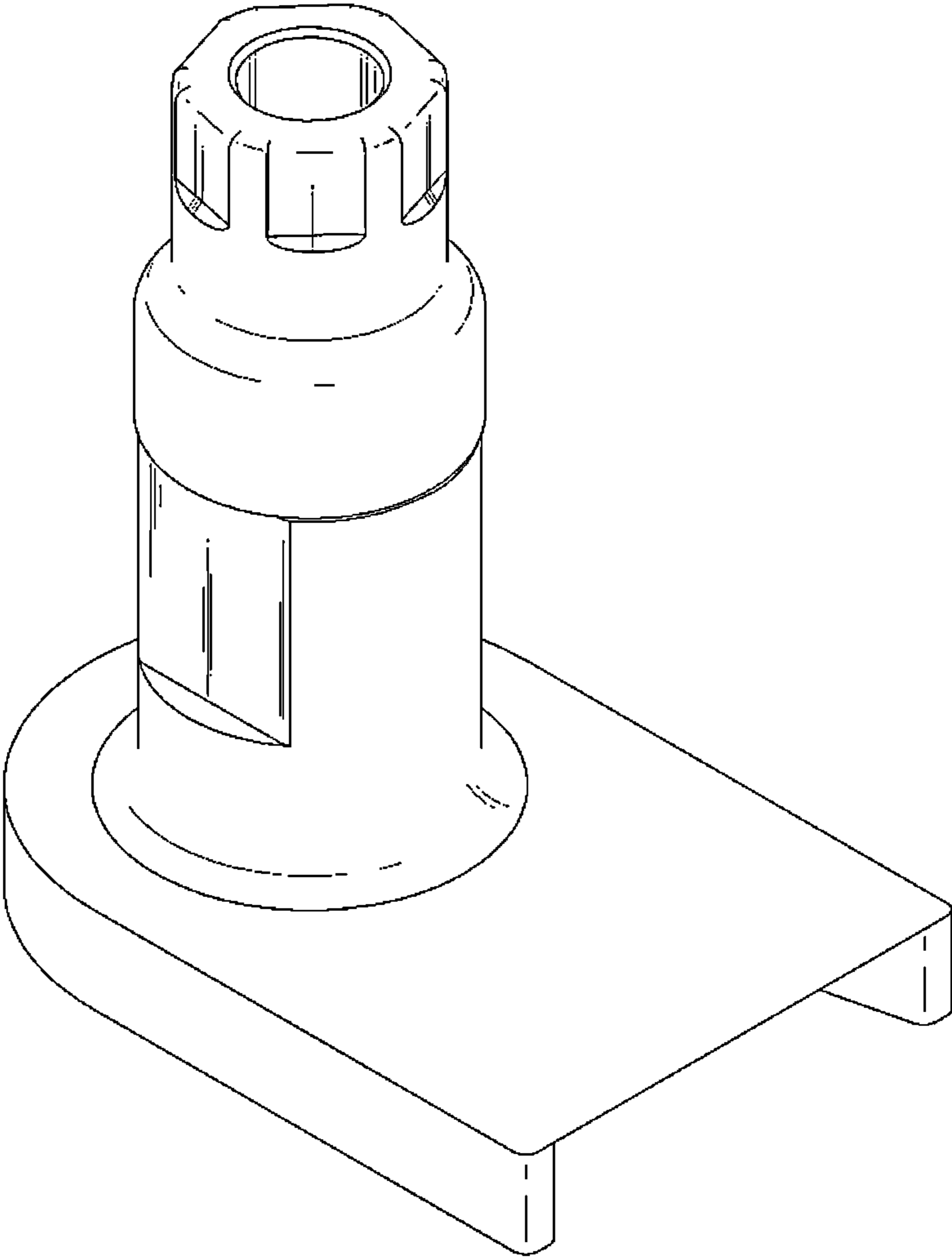
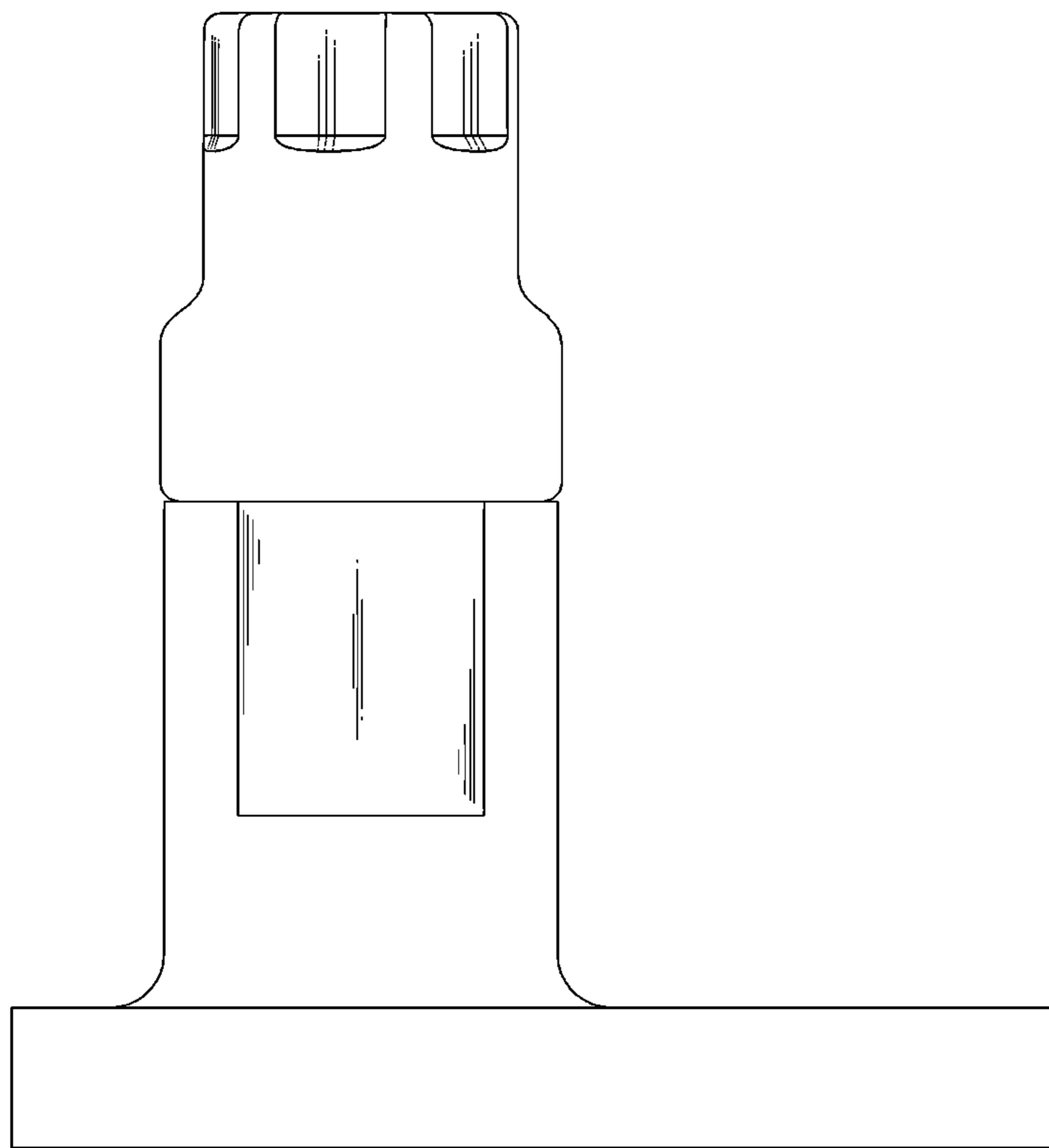
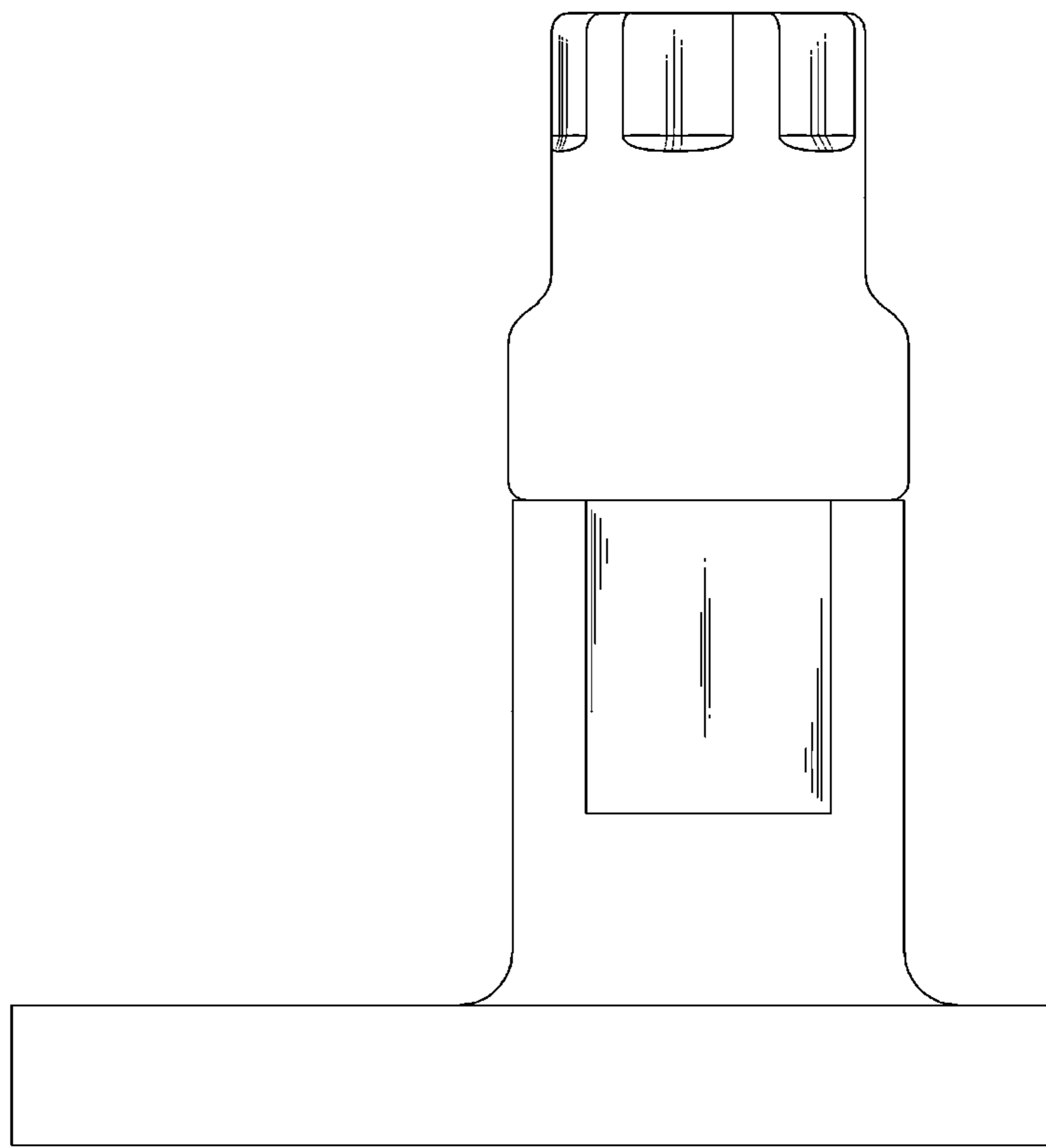


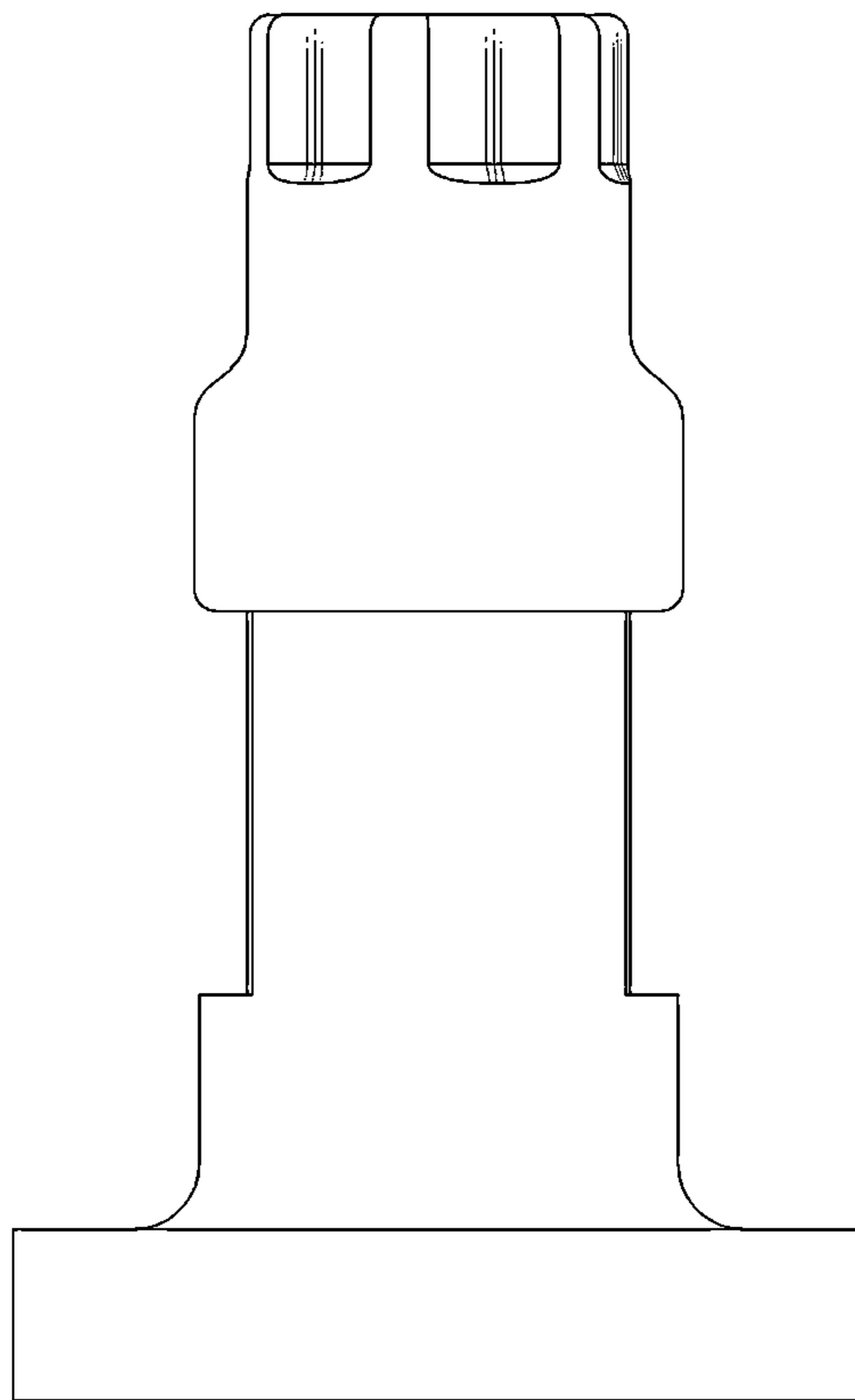
FIG. 1



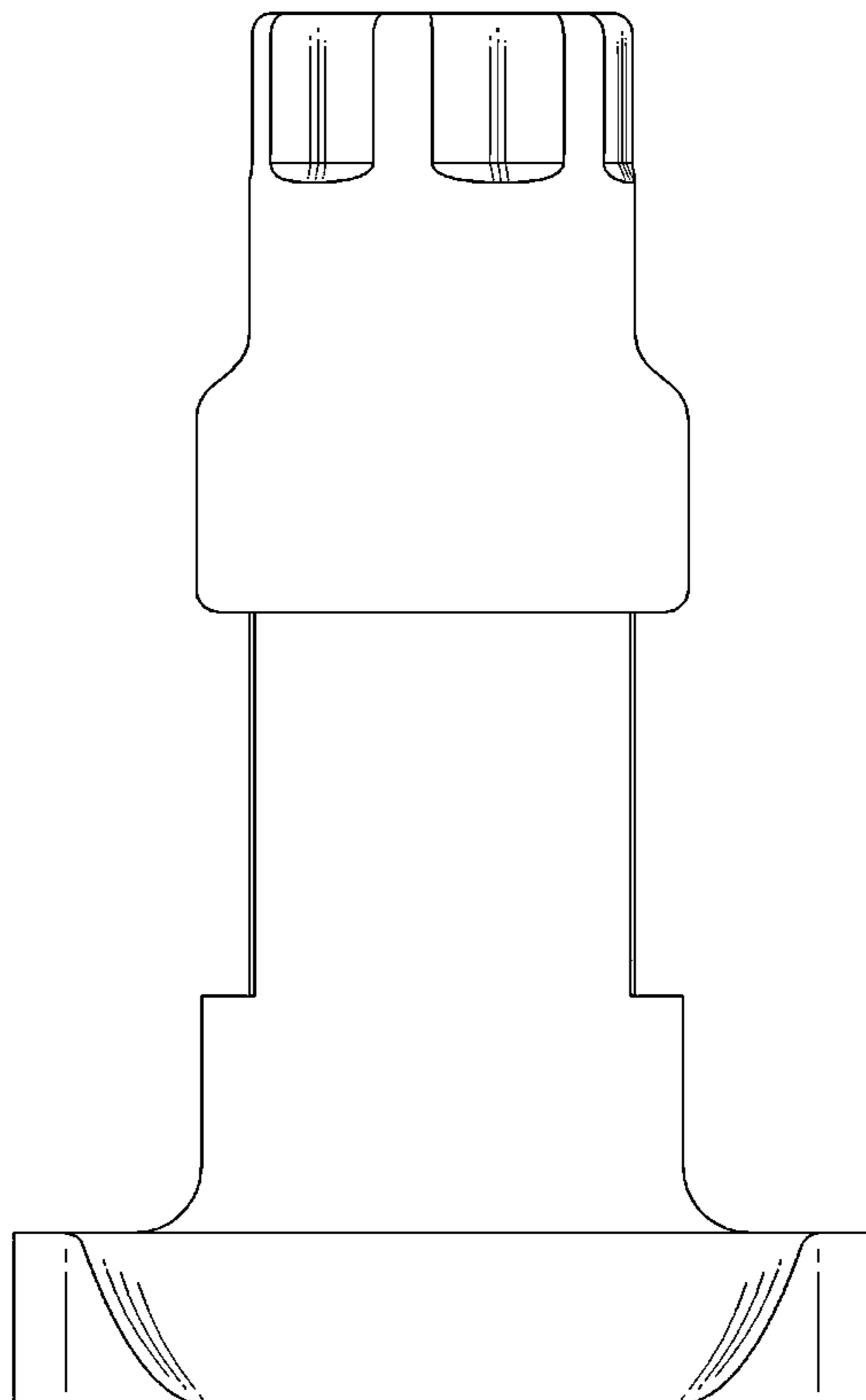
**FIG. 2**



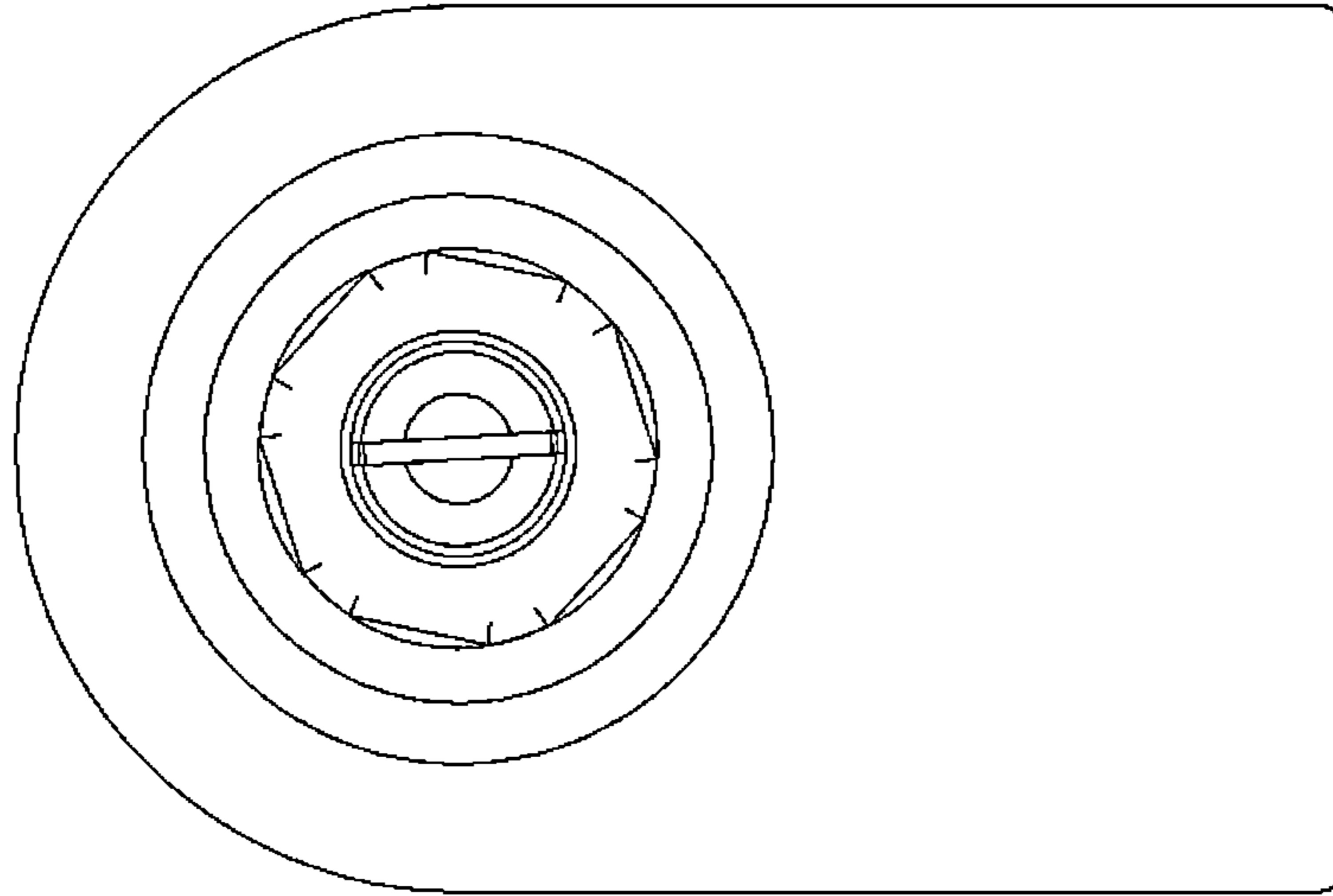
**FIG. 3**



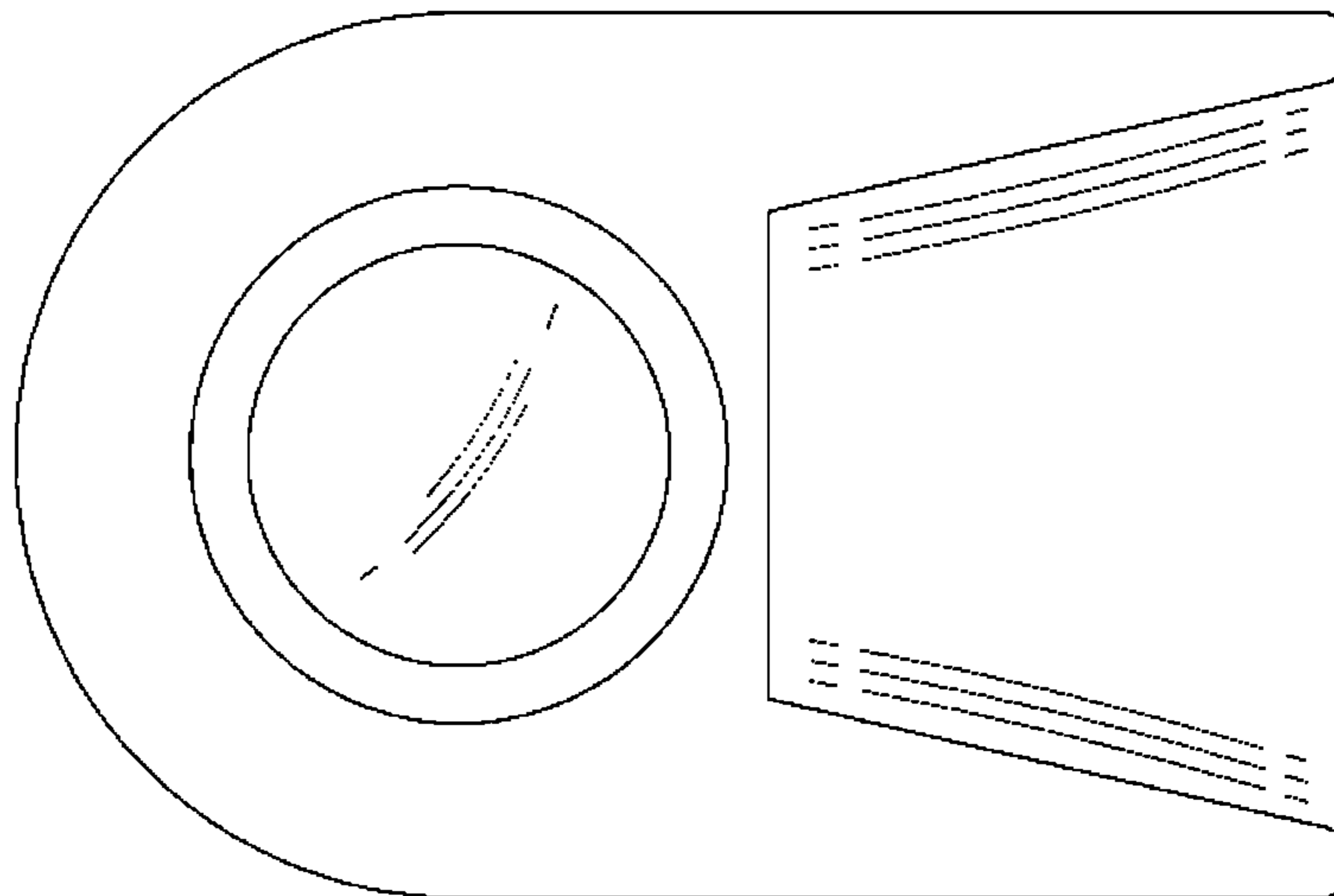
**FIG. 4**



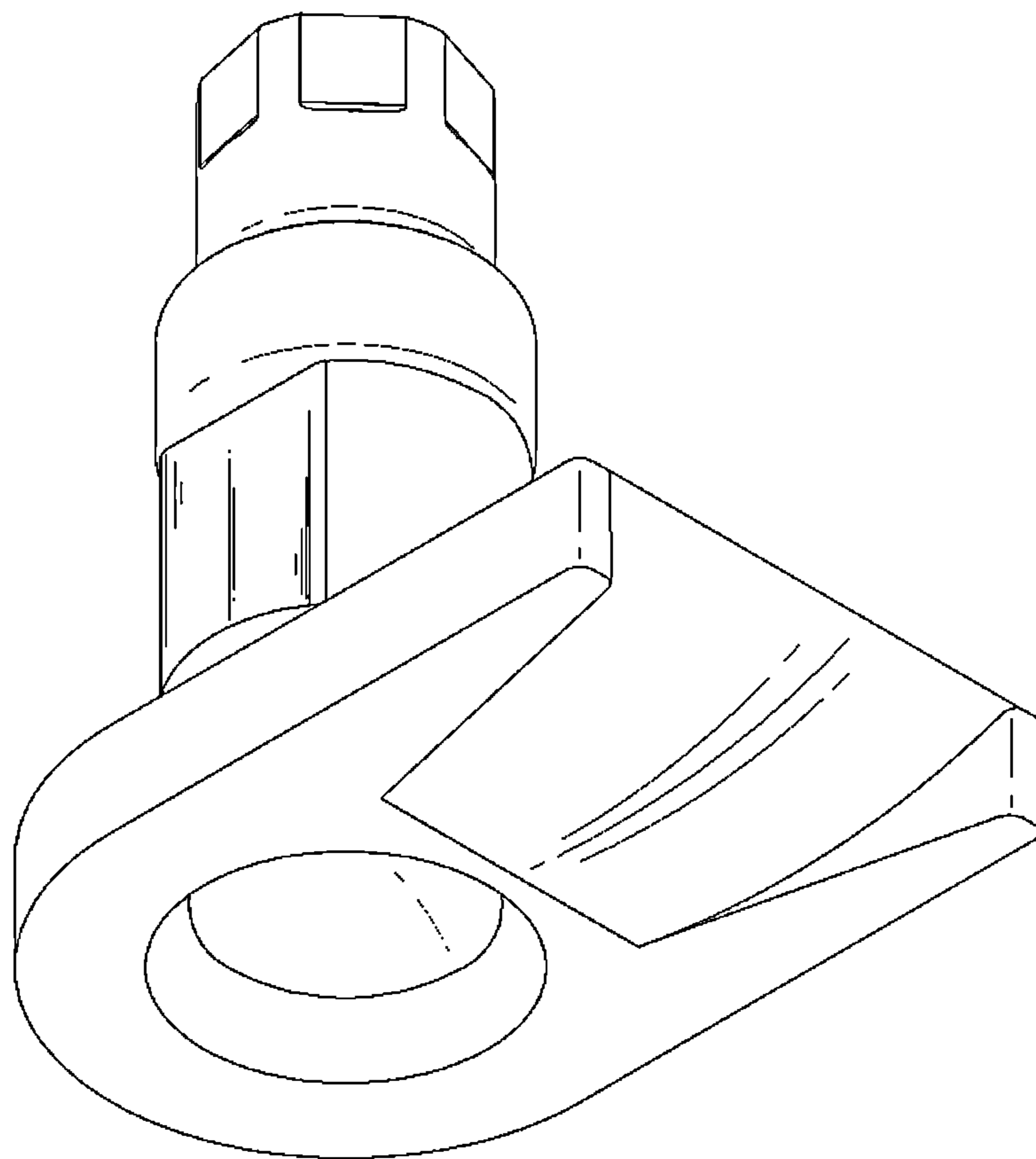
**FIG. 5**



**FIG. 6**



**FIG. 7**



**FIG. 8**



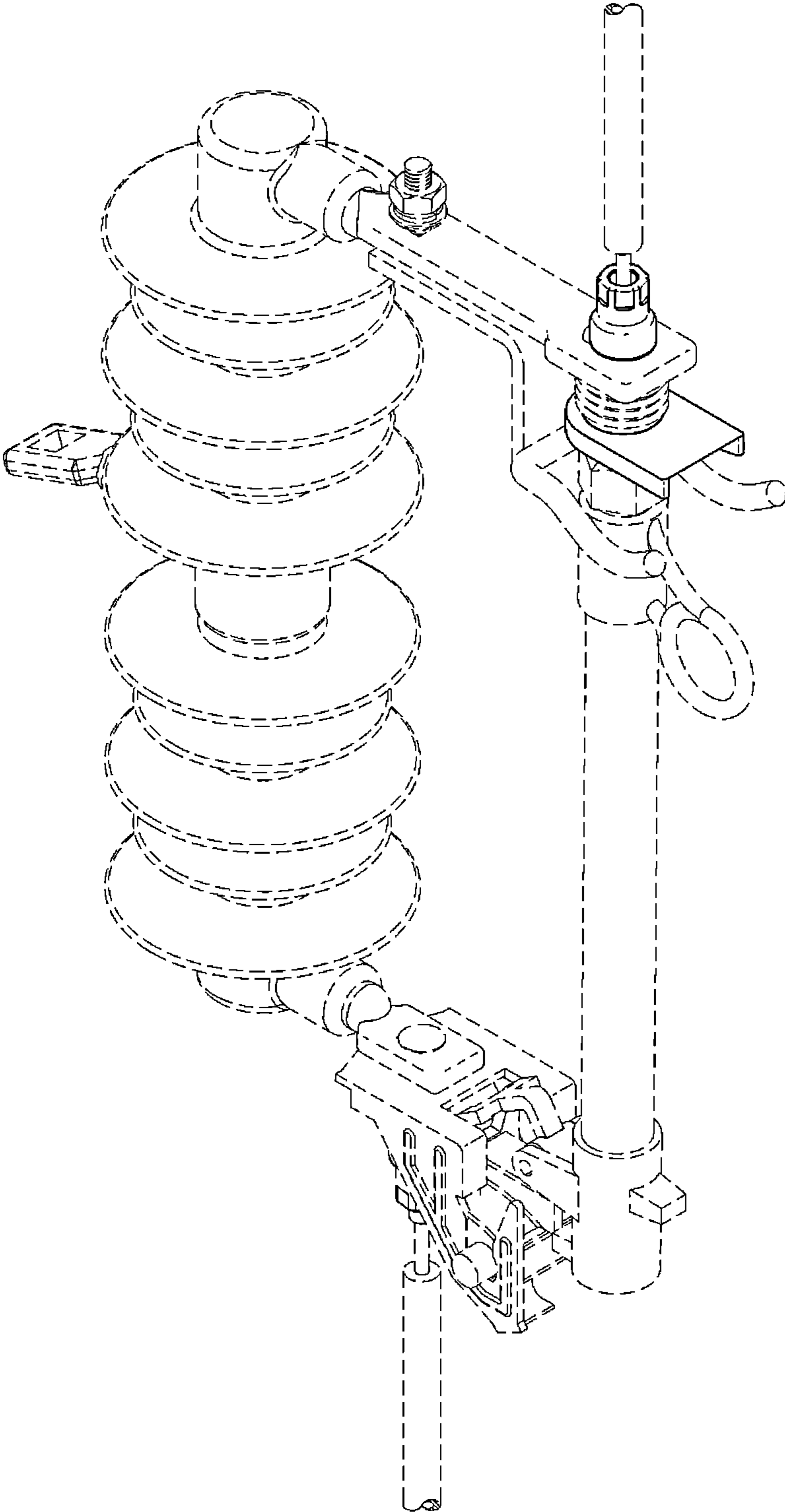


FIG. 9