



US00D973589S

(12) **United States Design Patent** (10) **Patent No.:** **US D973,589 S**  
**Equoy** (45) **Date of Patent:** **\*\* Dec. 27, 2022**

(54) **COMPACT MOTOR REDUCER**  
(71) Applicant: **SONCEBOZ AUTOMOTIVE SA,**  
Sonceboz (CH)  
(72) Inventor: **Samuel Equoy,** Baume-les-Dames (FR)  
(\*\*) Term: **15 Years**  
(21) Appl. No.: **35/512,795**

(22) Filed: **Apr. 27, 2021**  
(80) **Hague Agreement Data**  
Int. Filing Date: **Apr. 27, 2021**  
Int. Reg. No.: **DM/215020**  
Int. Reg. Date: **Apr. 27, 2021**  
Int. Reg. Pub. Date: **Oct. 29, 2021**

(51) **LOC (13) Cl.** ..... **13-01**  
(52) **U.S. Cl.**  
USPC ..... **D13/112**

(58) **Field of Classification Search**  
USPC ..... D13/112, 113, 114, 118, 122, 184, 199;  
D15/1, 3, 5, 138, 141, 143, 148, 149  
CPC ..... H02K 5/06; H02K 5/22; H02K 5/225;  
H02K 11/33; H02K 9/06; H02K 9/12;  
H02K 9/14; H02K 9/18; H02K 9/20;  
H02K 7/10; H02K 7/116; H02K 7/1025;  
H02K 7/20918; H02K 3/24; H02K 3/47;  
H02K 37/12; H02K 37/14; F02B 63/04;  
F28D 15/0266; F28D 15/02; F28F 1/20  
See application file for complete search history.

(56) **References Cited**  
U.S. PATENT DOCUMENTS  
D511,138 S \* 11/2005 Kwan ..... D13/112  
D533,833 S \* 12/2006 Sakai ..... D13/122  
D552,540 S \* 10/2007 Miyauchi ..... D13/112  
D577,670 S \* 9/2008 Oohashi ..... D13/113  
D701,299 S \* 3/2014 Oba ..... D23/370  
D775,252 S \* 12/2016 Shentu ..... D15/149  
D780,238 S \* 2/2017 Kato ..... D15/138  
D857,627 S \* 8/2019 Polini ..... D15/148

FOREIGN PATENT DOCUMENTS  
KR 3007745778.0000 \* 6/2014

\* cited by examiner  
*Primary Examiner* — Derrick E Holland

(57) **CLAIM**  
The ornamental design for a compact motor reducer, as shown and described.

**DESCRIPTION**

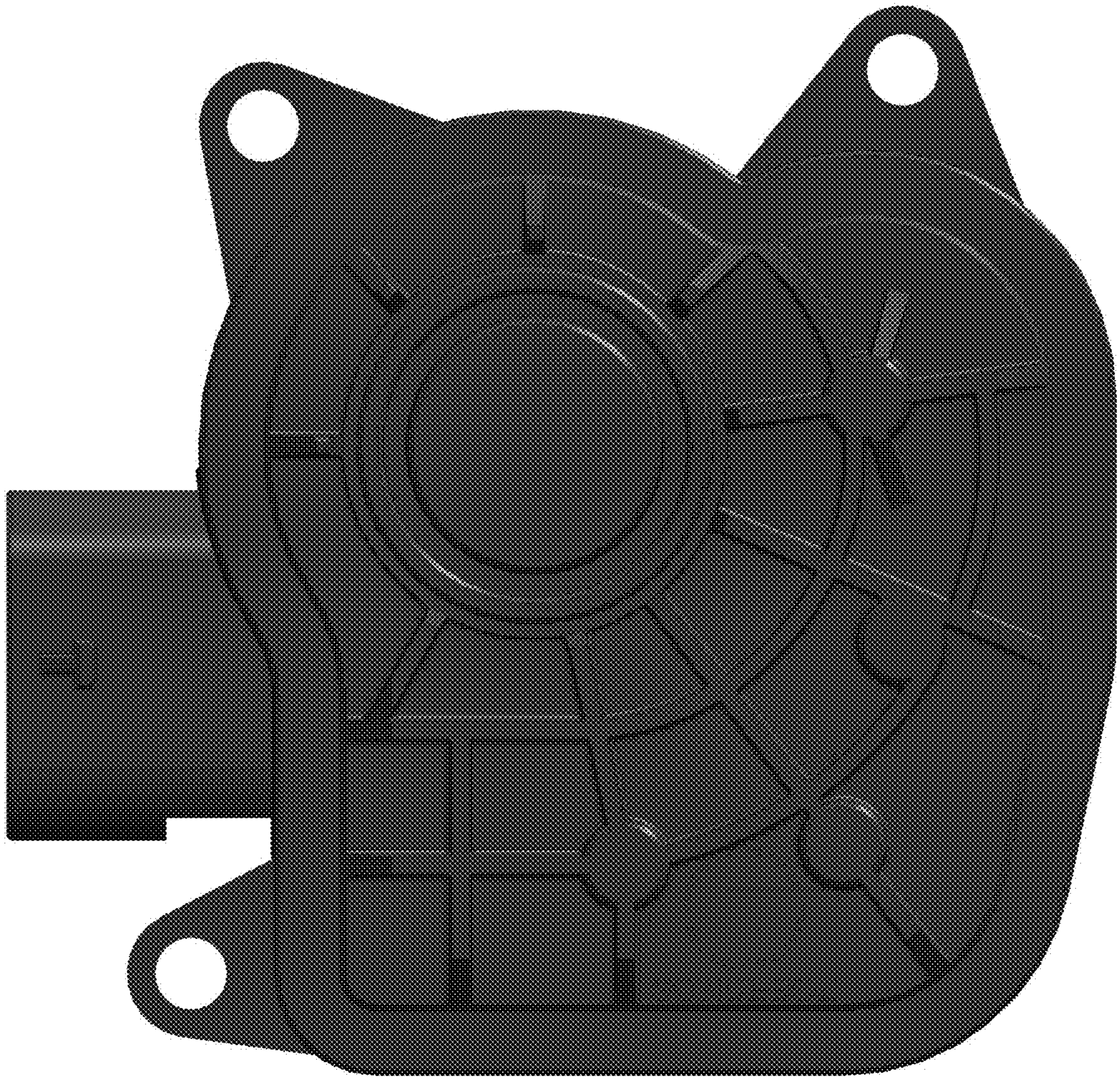
- 1. Compact motor reducer
- 1.1: is a front view;
- 1.2: is a left view;
- 1.3: is a right view;
- 1.4: is a back perspective view;
- 1.5: is a top plan view;
- 1.6: is a back view; and
- 1.7: is a front perspective view.

**1 Claim, 7 Drawing Sheets**



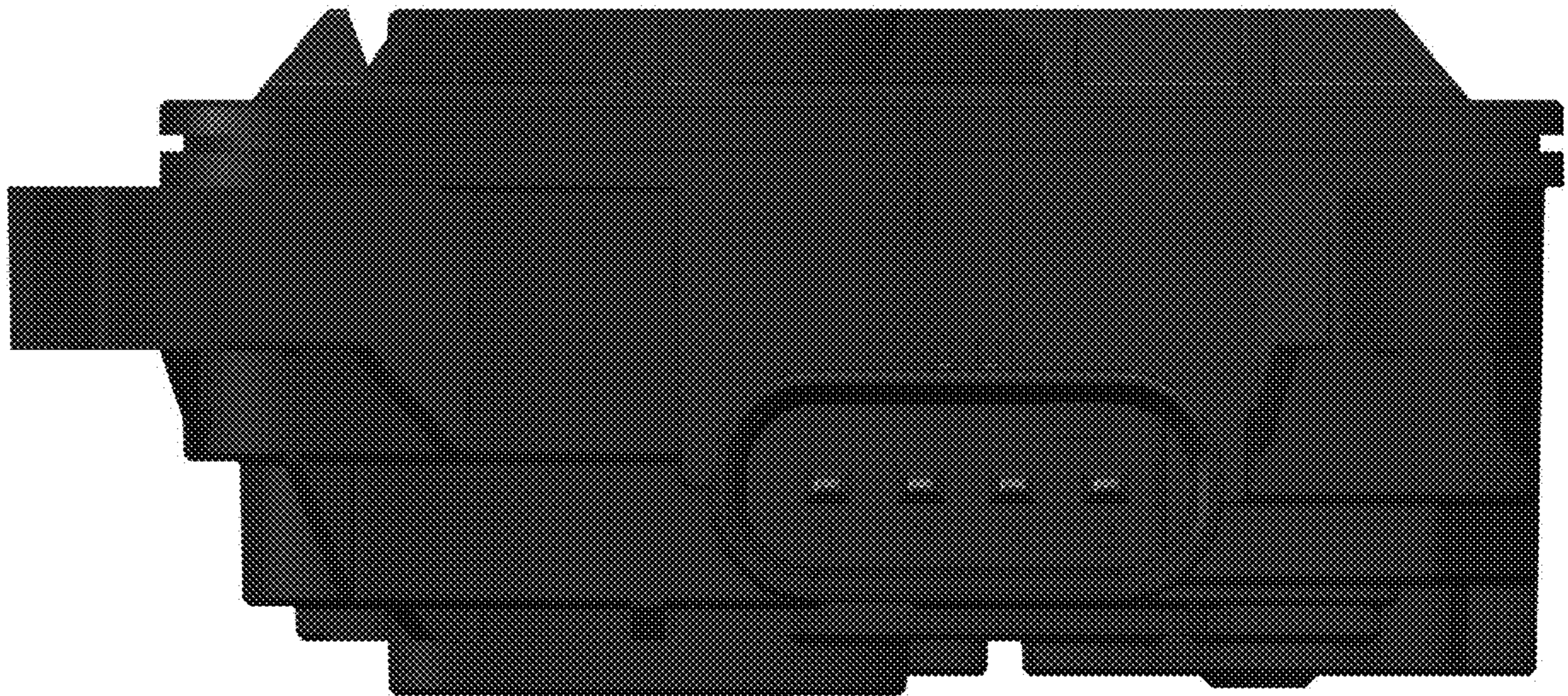


1.1



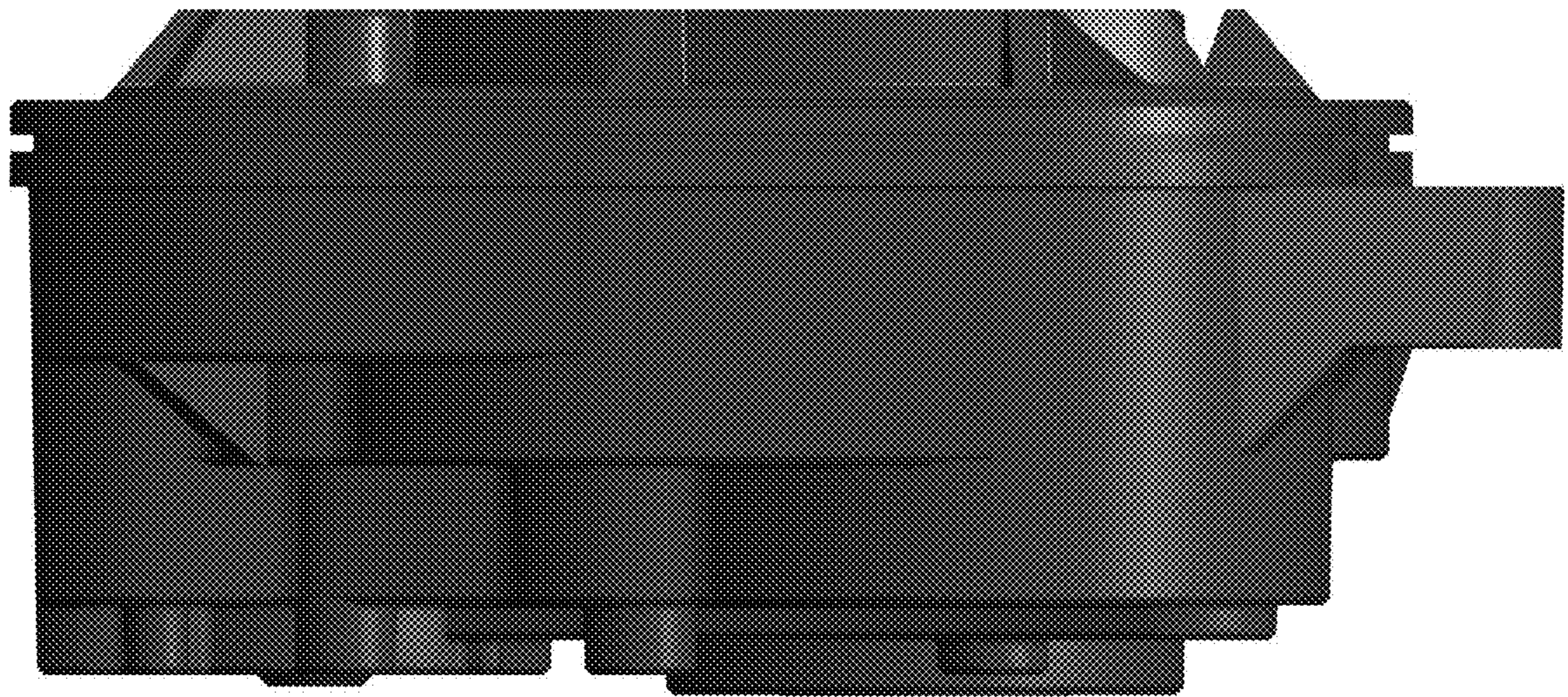


1.2



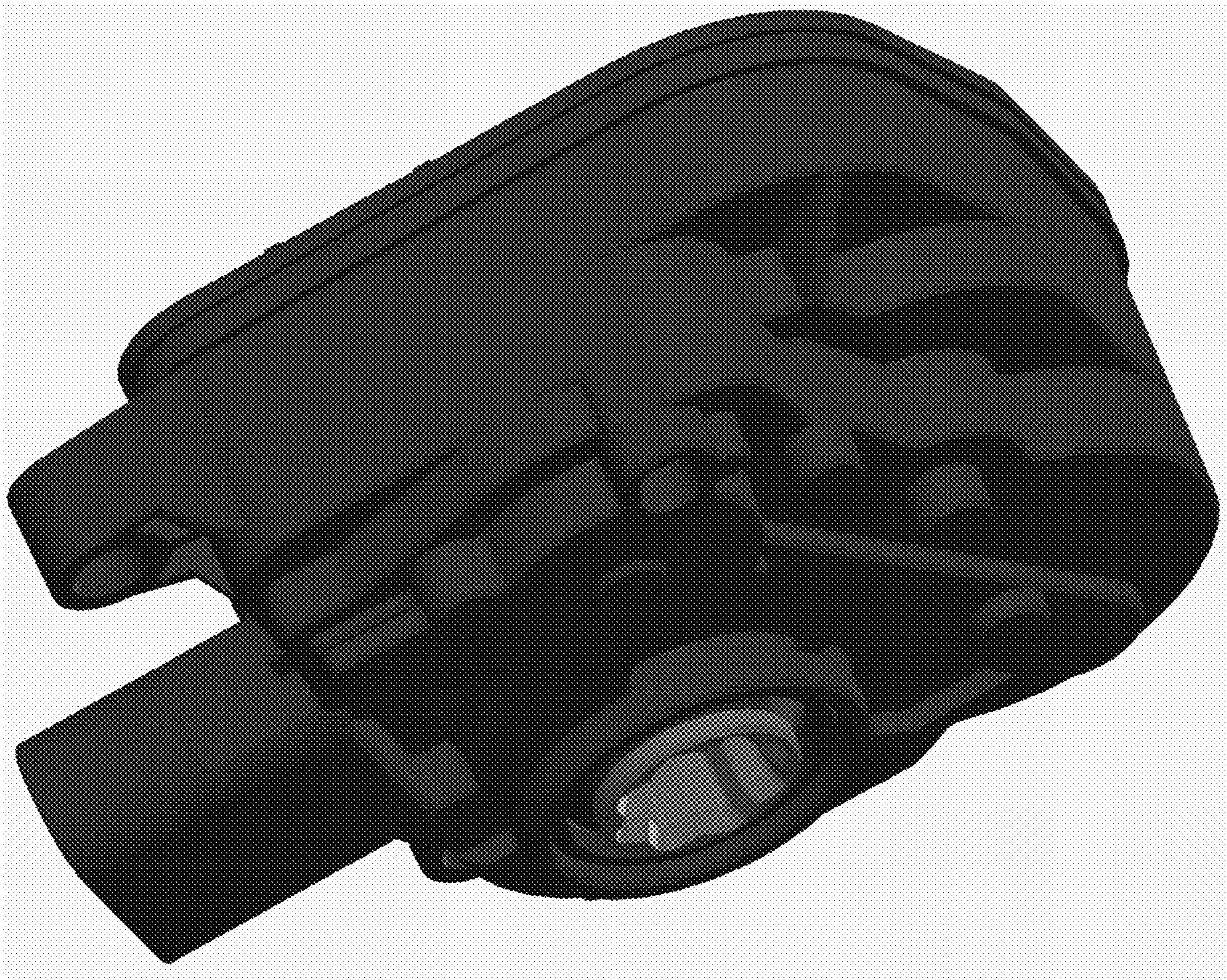


1.3



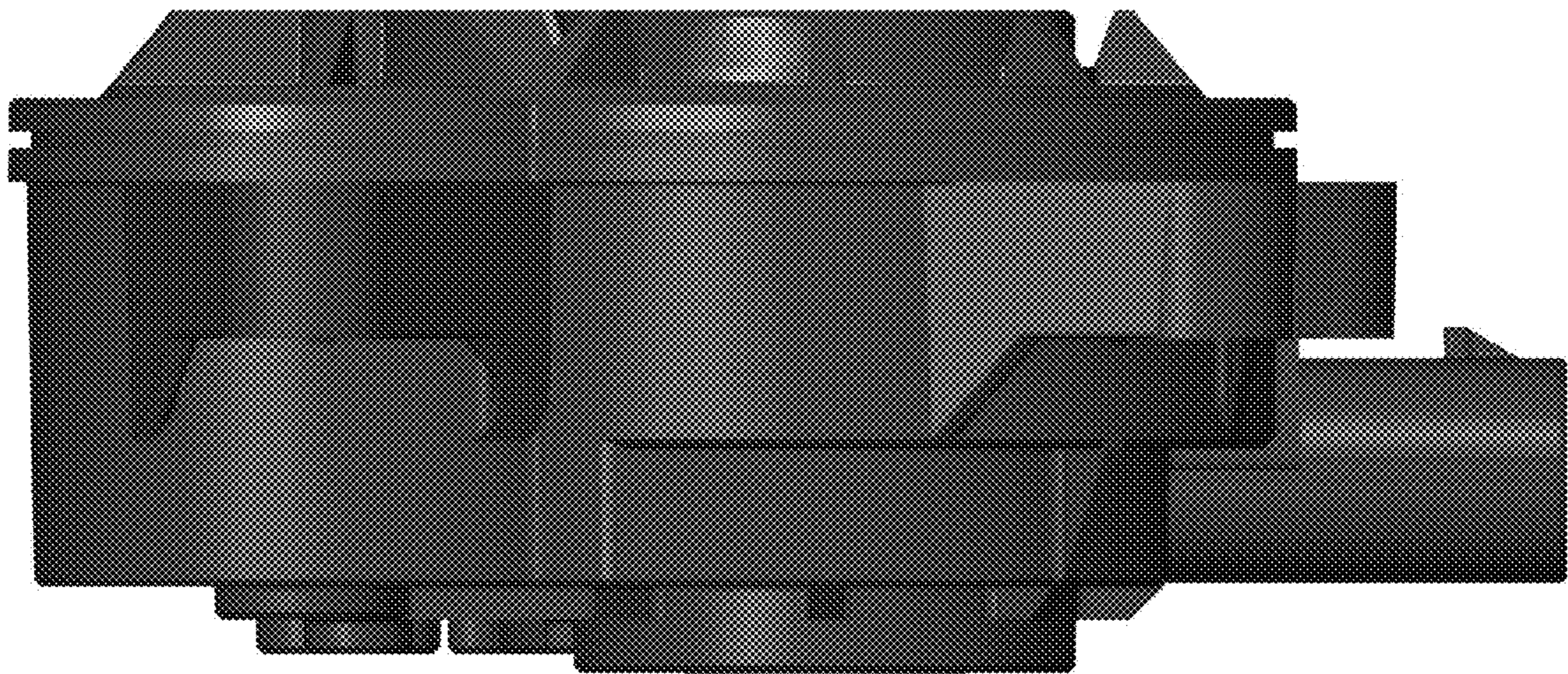


1.4



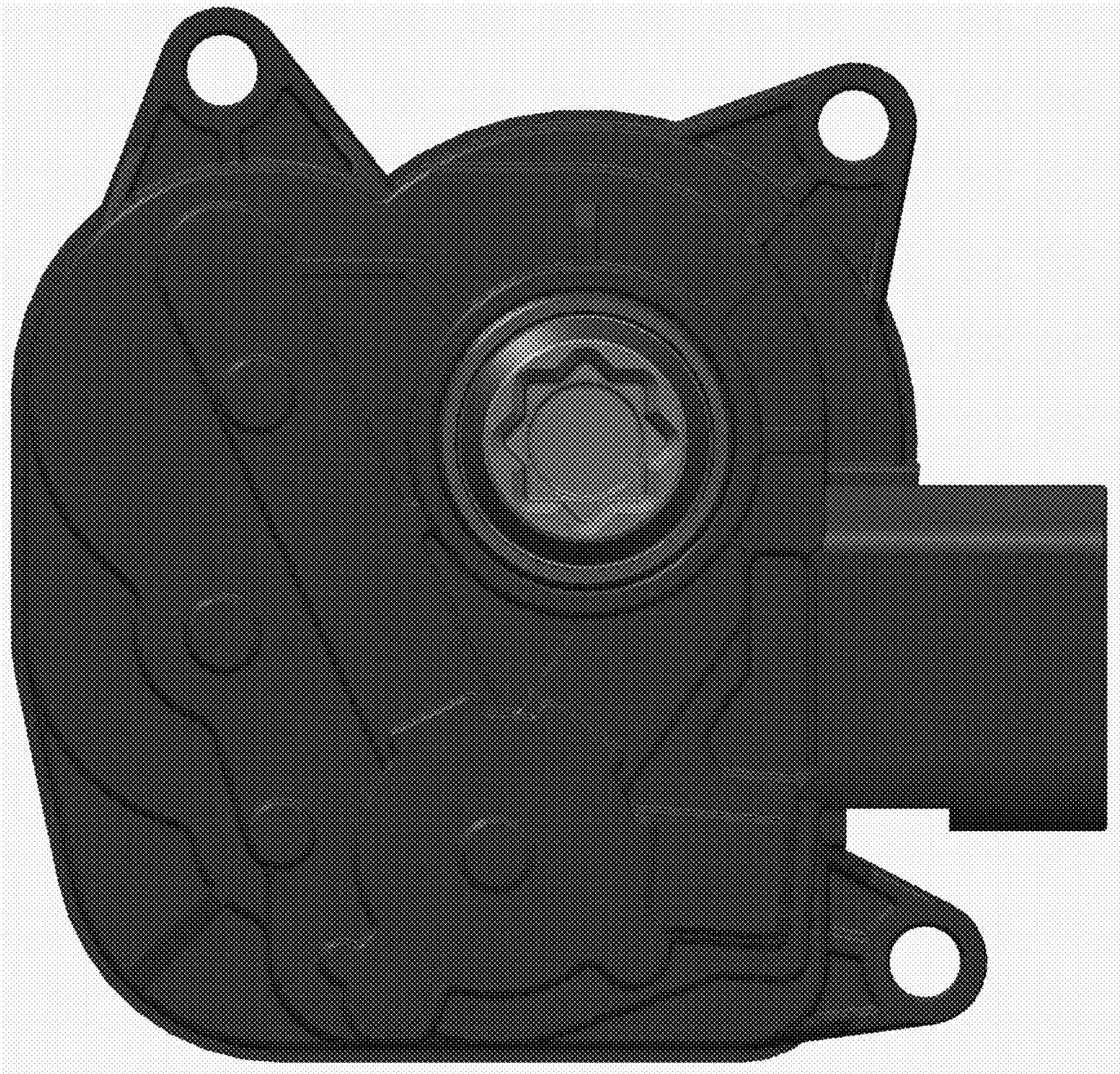


1.5





1.6





1.7

