



US00D973585S

(12) **United States Design Patent** (10) **Patent No.:** **US D973,585 S**
Brosnan et al. (45) **Date of Patent:** **** Dec. 27, 2022**

(54) **BATTERY MODULE**
(71) Applicant: **Stryker Corporation**, Kalamazoo, MI (US)

5,977,746 A 11/1999 Hershberger et al.
D541,216 S * 4/2007 Albano D13/110
7,705,559 B2 4/2010 Powell et al.
(Continued)

(72) Inventors: **Daniel V. Brosnan**, Kalamazoo, MI (US); **Ross Timothy Lucas**, Paw Paw, MI (US); **Bradley Sommer**, Lagrange, OH (US); **Justin Thomas McLouth**, Portage, MI (US); **Michael T. Brubaker**, Portage, MI (US)

FOREIGN PATENT DOCUMENTS

CN 303622717 3/2016
CN 306422985 * 3/2021
JP D1714911 * 5/2022

(73) Assignee: **Stryker Corporation**, Kalamazoo, MI (US)

OTHER PUBLICATIONS

“Eaton 3S750 UPS Battery Backup & Surge Protector, 750VA / 450W, 10 Outlets for Home or Office Devices”, first available Jun. 30, 2011. Amazon.com [https://www.amazon.com/dp/B005EIHDIK] (Year: 2011).*

(**) Term: **15 Years**

(Continued)

(21) Appl. No.: **29/820,345**

Primary Examiner — Rosemary K Tarcza
Assistant Examiner — Seth David Kumpf
(74) *Attorney, Agent, or Firm* — Howard & Howard Attorneys PLC

(22) Filed: **Dec. 21, 2021**

Related U.S. Application Data

(63) Continuation of application No. 29/718,872, filed on Dec. 30, 2019, now Pat. No. Des. 941,750.

(51) **LOC (13) Cl.** **13-02**

(52) **U.S. Cl.**
USPC **D13/103**

(58) **Field of Classification Search**
USPC D13/103, 107, 108, 110, 118, 119, 184, D13/199
CPC H01M 10/4257; H01M 10/0436; H01M 10/48
See application file for complete search history.

CLAIM

(57) The ornamental design for a battery module, as shown and described.

DESCRIPTION

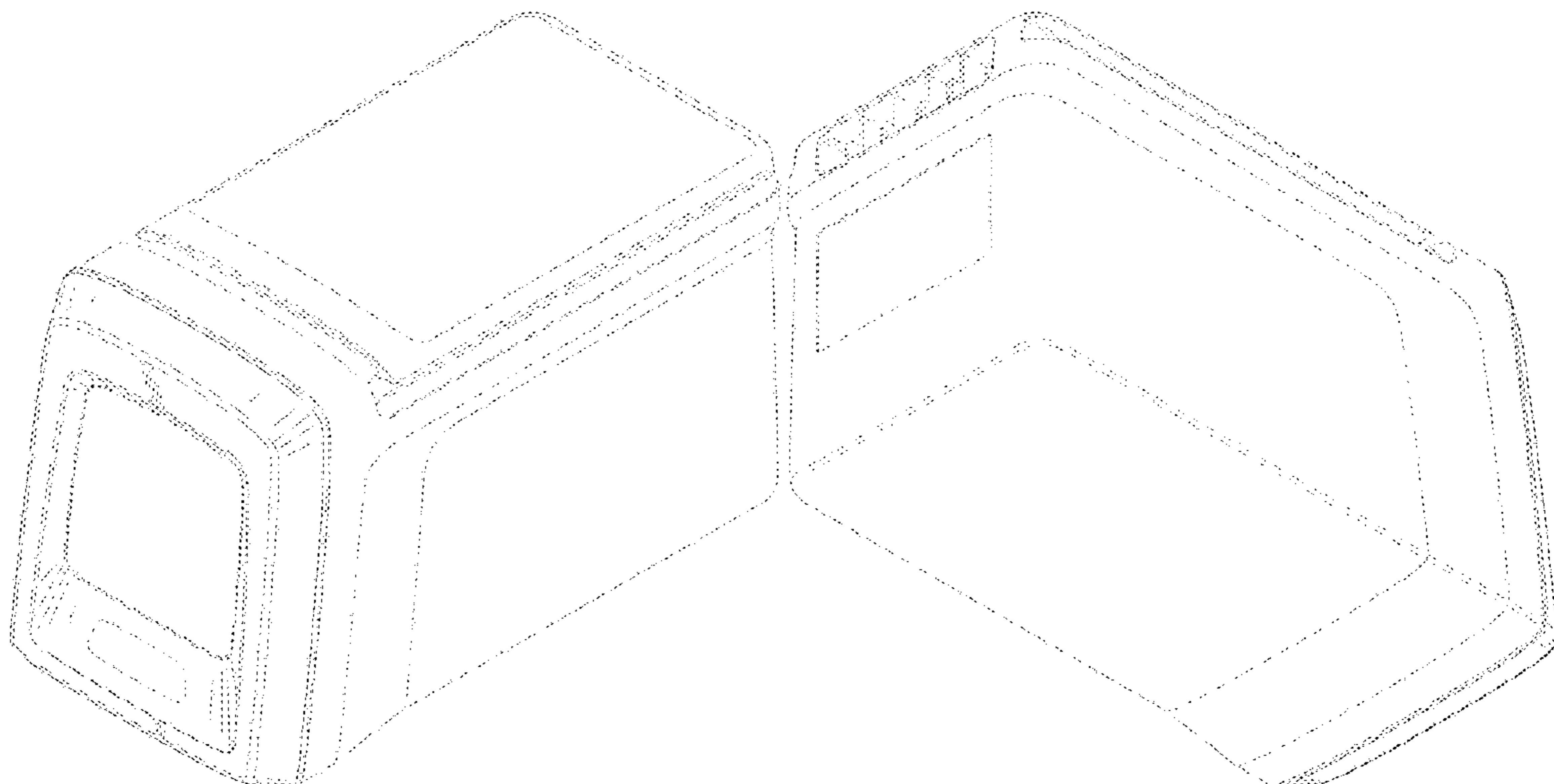
FIG. 1 is a front, top, right side, perspective view of a battery module;
FIG. 2 is a rear, bottom, left side perspective view of the battery module of FIG. 1;
FIG. 3 is a front view of the battery module of FIG. 1;
FIG. 4 is a right side view of the battery module of FIG. 1;
FIG. 5 is a left side of the battery module of FIG. 1;
FIG. 6 is a top view of the battery module of FIG. 1;
FIG. 7 is a bottom view of the battery module of FIG. 1; and,
FIG. 8 is a rear view of the battery module of FIG. 1.
The broken lines represent portions of the battery module that form no part of the claimed design.

(56) **References Cited**

U.S. PATENT DOCUMENTS

D336,281 S 6/1993 Nakamura et al.
D347,825 S * 6/1994 Zarnowitz D13/177
D413,564 S 9/1999 Hershberger et al.

1 Claim, 8 Drawing Sheets



(56)

References Cited

U.S. PATENT DOCUMENTS

D698,151 S 1/2014 Arehart et al.
 9,142,992 B2 9/2015 Malackowski et al.
 D807,303 S * 1/2018 Newell D13/156
 D808,336 S * 1/2018 Chien D13/110
 D816,604 S 5/2018 Rowe et al.
 D816,605 S 5/2018 Rowe et al.
 D841,980 S 3/2019 Hsu
 D844,561 S * 4/2019 Gou D13/110
 D871,328 S * 12/2019 Yang D13/108
 D905,637 S * 12/2020 Gou D13/110
 D941,750 S * 1/2022 Brosnan D13/103
 D942,398 S * 2/2022 Yang D13/139.6
 D950,484 S * 5/2022 Tan D13/107
 2005/0143955 A1 * 6/2005 Quint H01M 10/48
 702/183

2011/0114608 A1* 5/2011 Albrecht B23K 9/1006
 219/112
 2018/0168719 A1 6/2018 Sprinkle
 2019/0083124 A1 3/2019 Downey

OTHER PUBLICATIONS

“3S550F”, first accessed Jul. 21, 2022. Omnicall.co [https://www.omnicall.co/products/eaton/3s550f/3222233?locale=US&gclid=EAIaIQobChMik_fNi9eU7wIVkpbCh1RAAMUEAQYyABEgls_D_BwE] (Year: 2022).
 “Eaton 3S350 UPS Battery Backup & Surge Protector, 350VA / 200W, 8 Outlets for Home or Office Devices”, first available Aug. 6, 2012. Amazon.com [https://www.amazon.com/dp/B00906CH8S] (Year: 2012).
 Design U.S. Appl. No. 29/799,144, filed Jul. 13, 2021.
 Stryker, “SMRT Power System Brochure”, 2016, 4 pages.

* cited by examiner

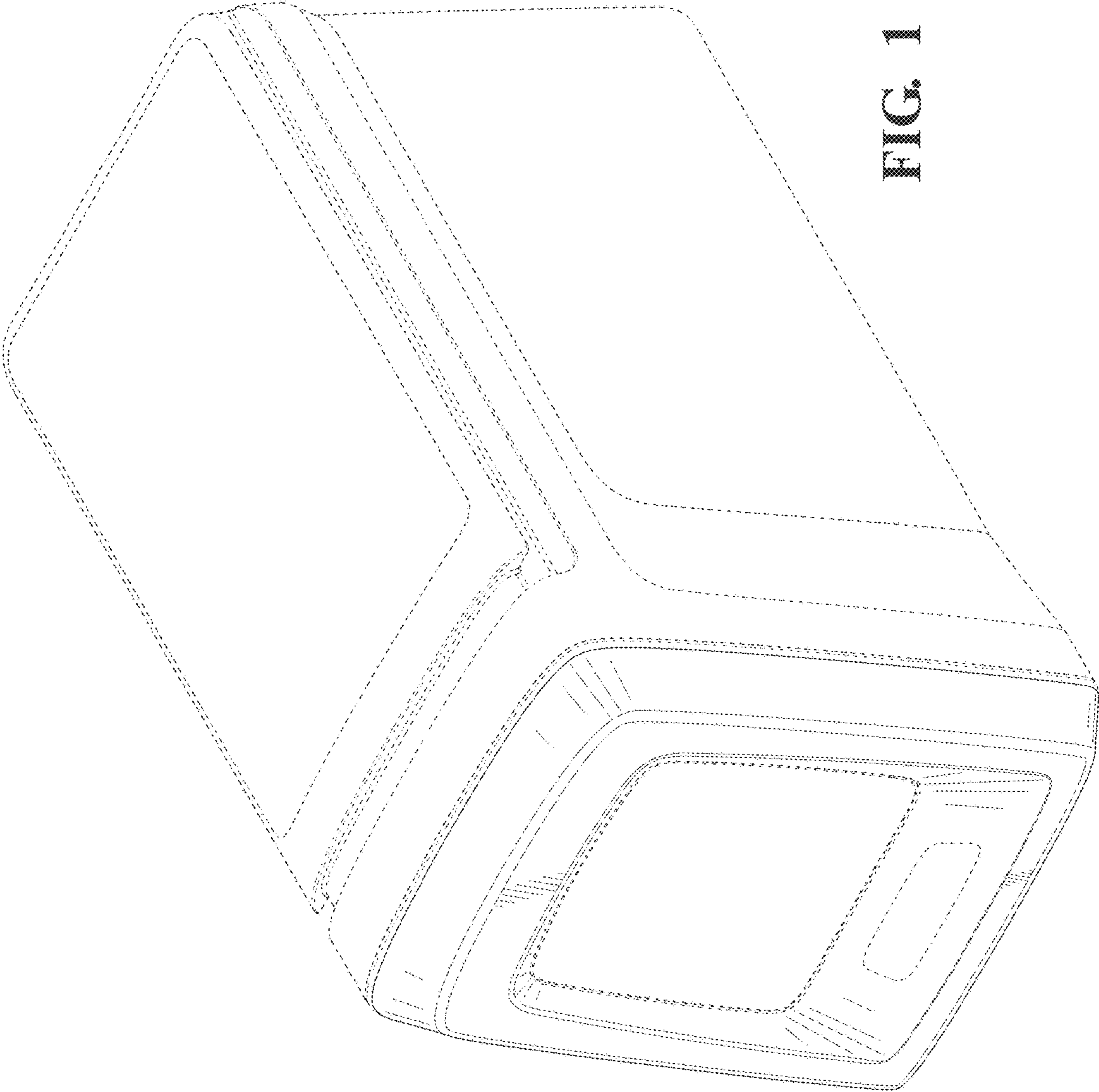


FIG. 1

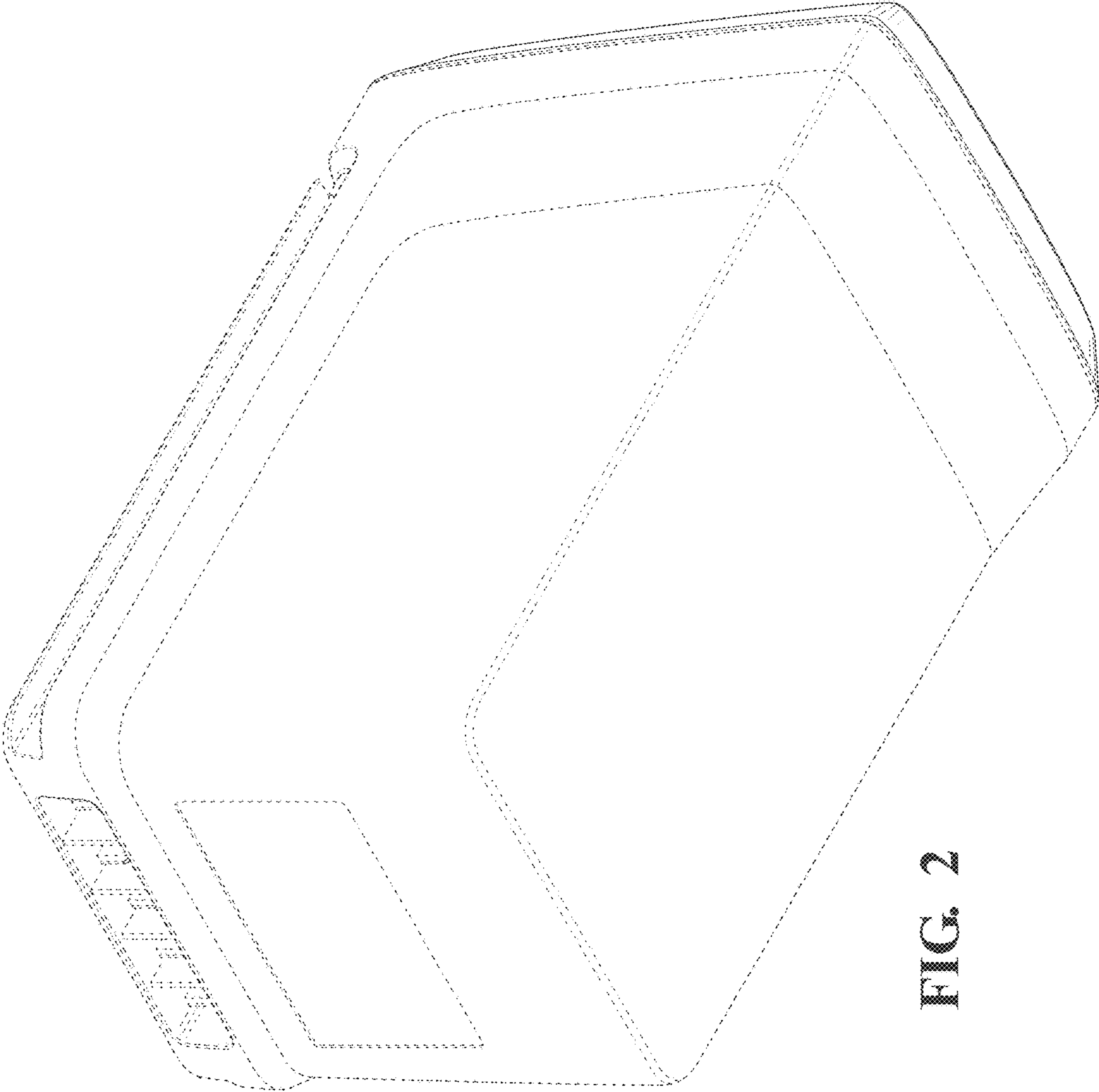


FIG. 2

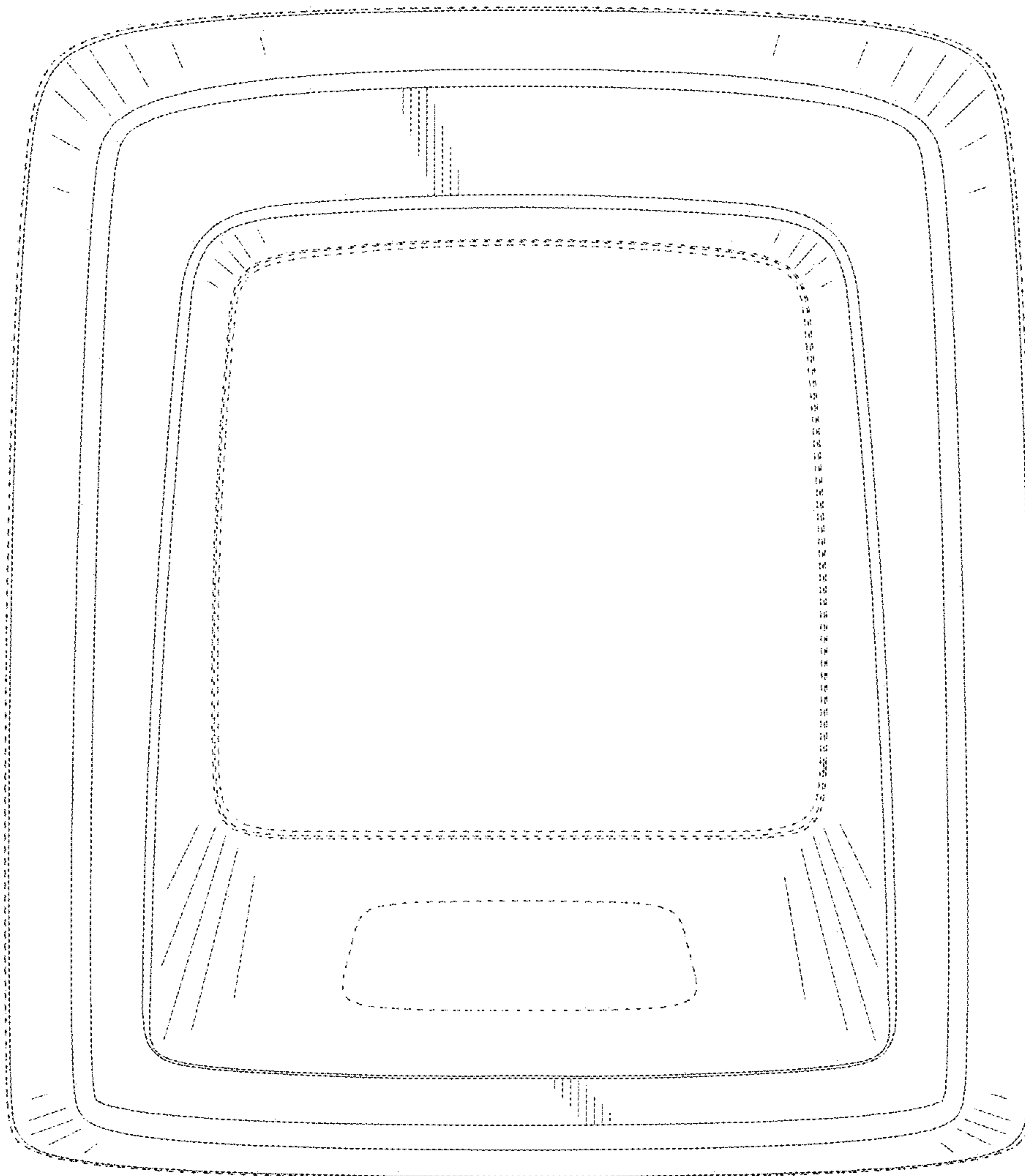


FIG. 3

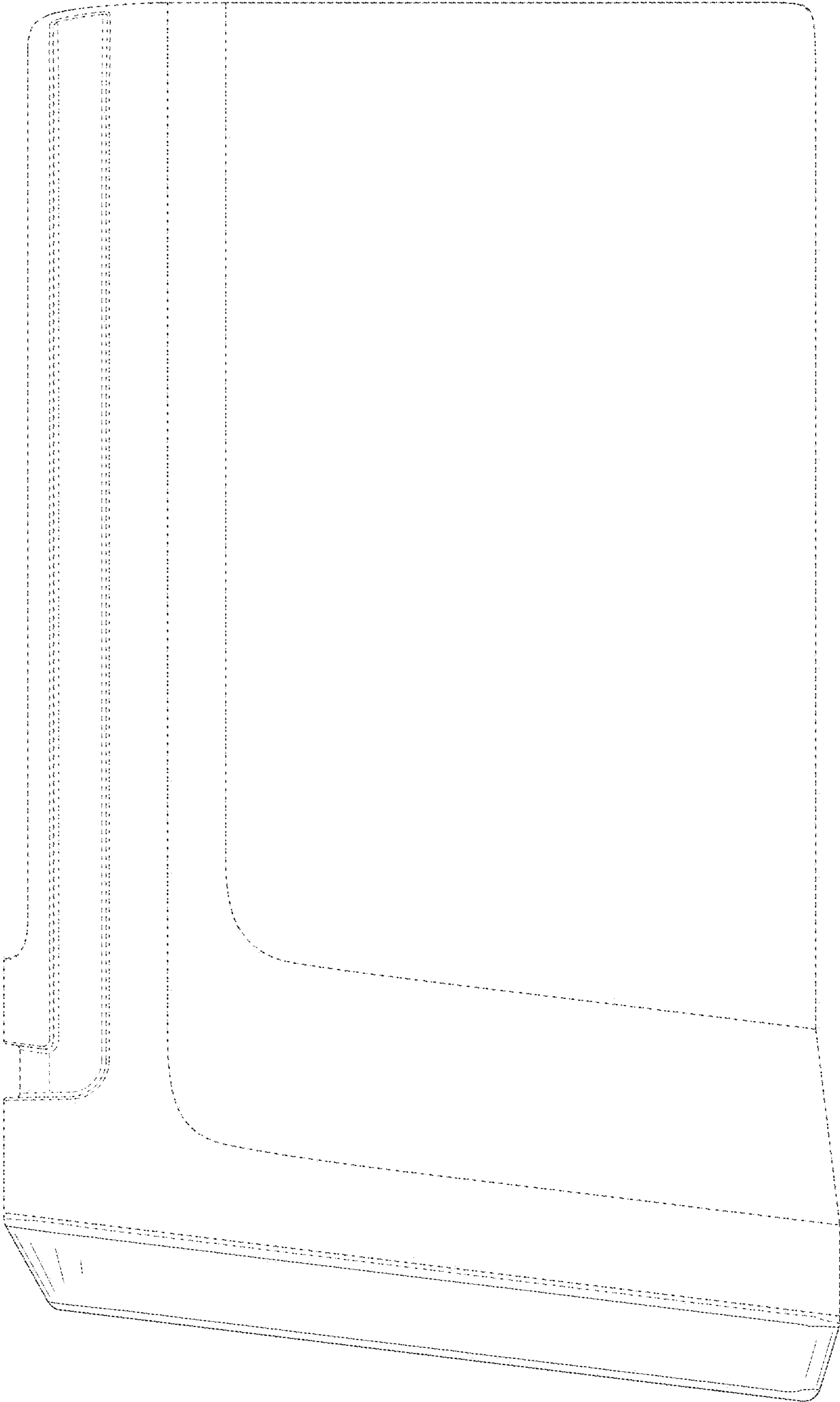


FIG. 4

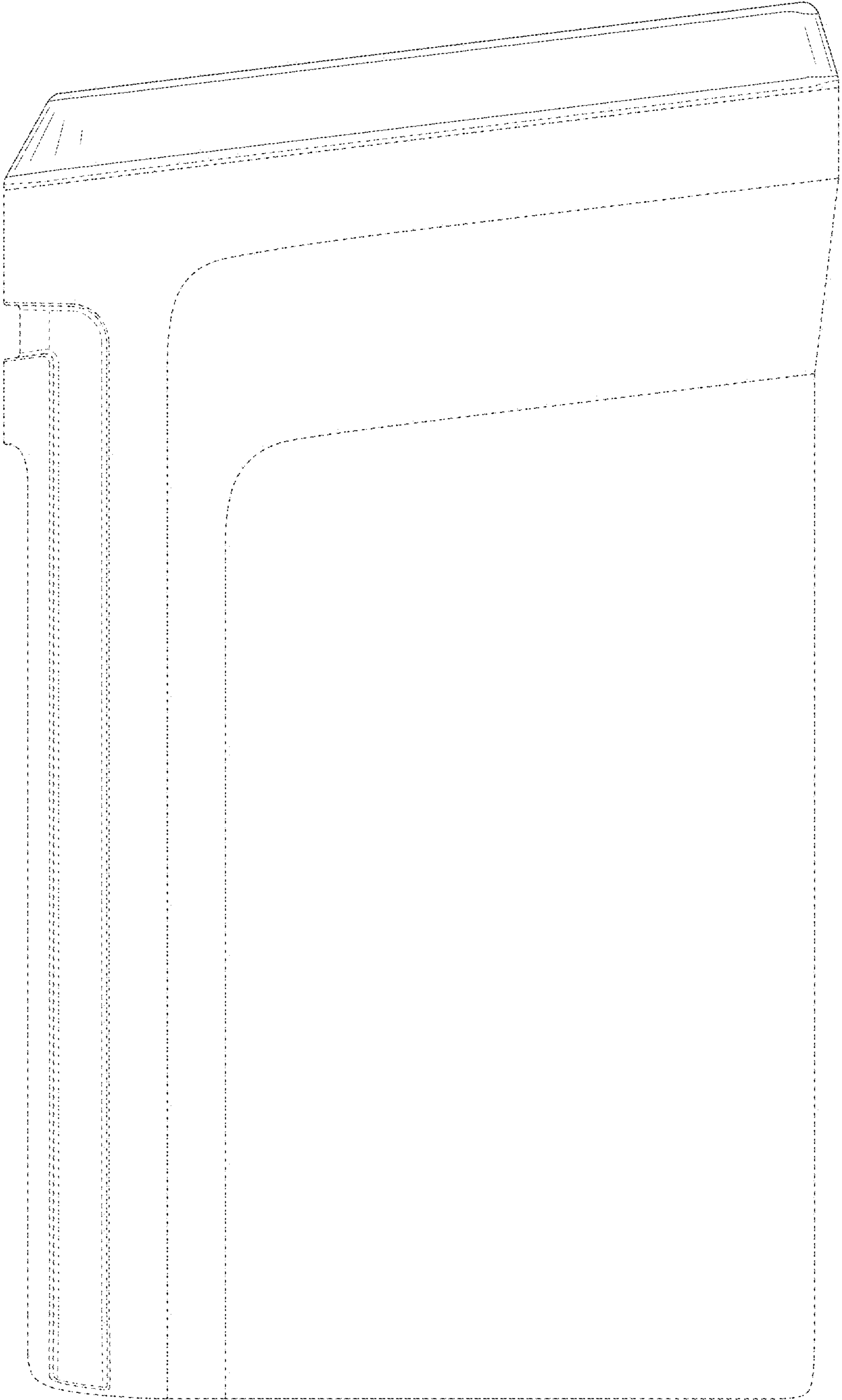


FIG. 5

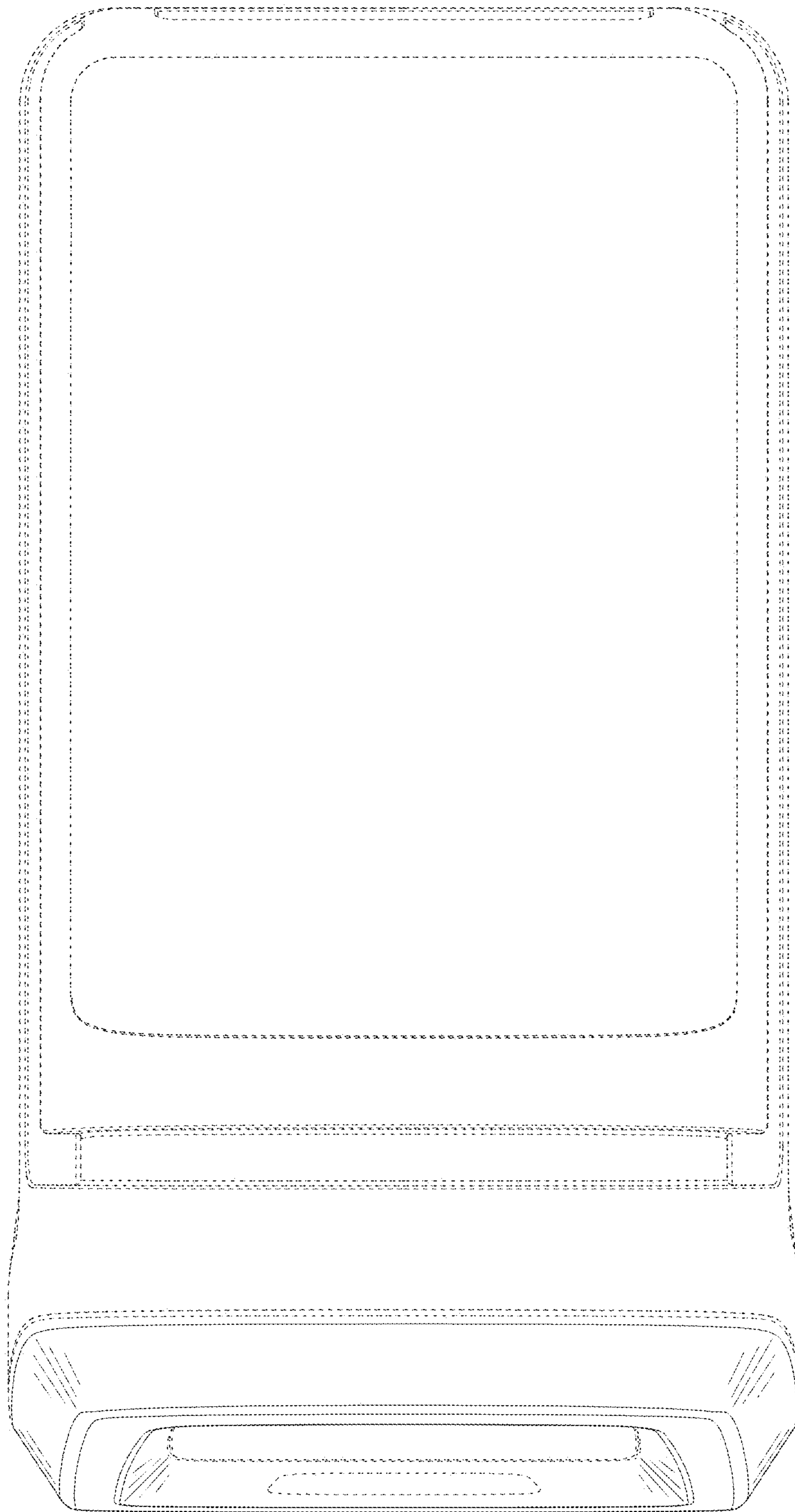


FIG. 6

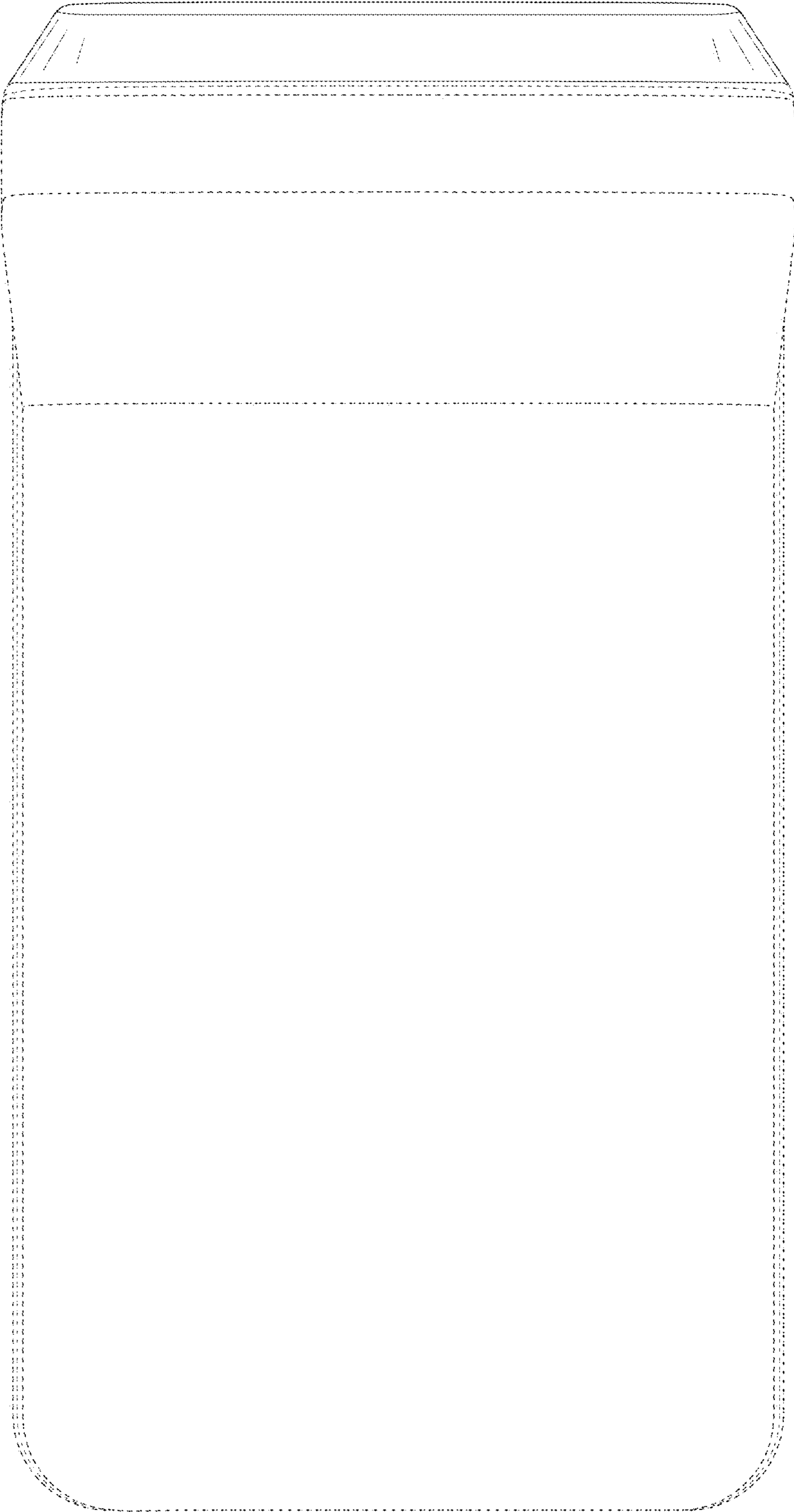


FIG. 7

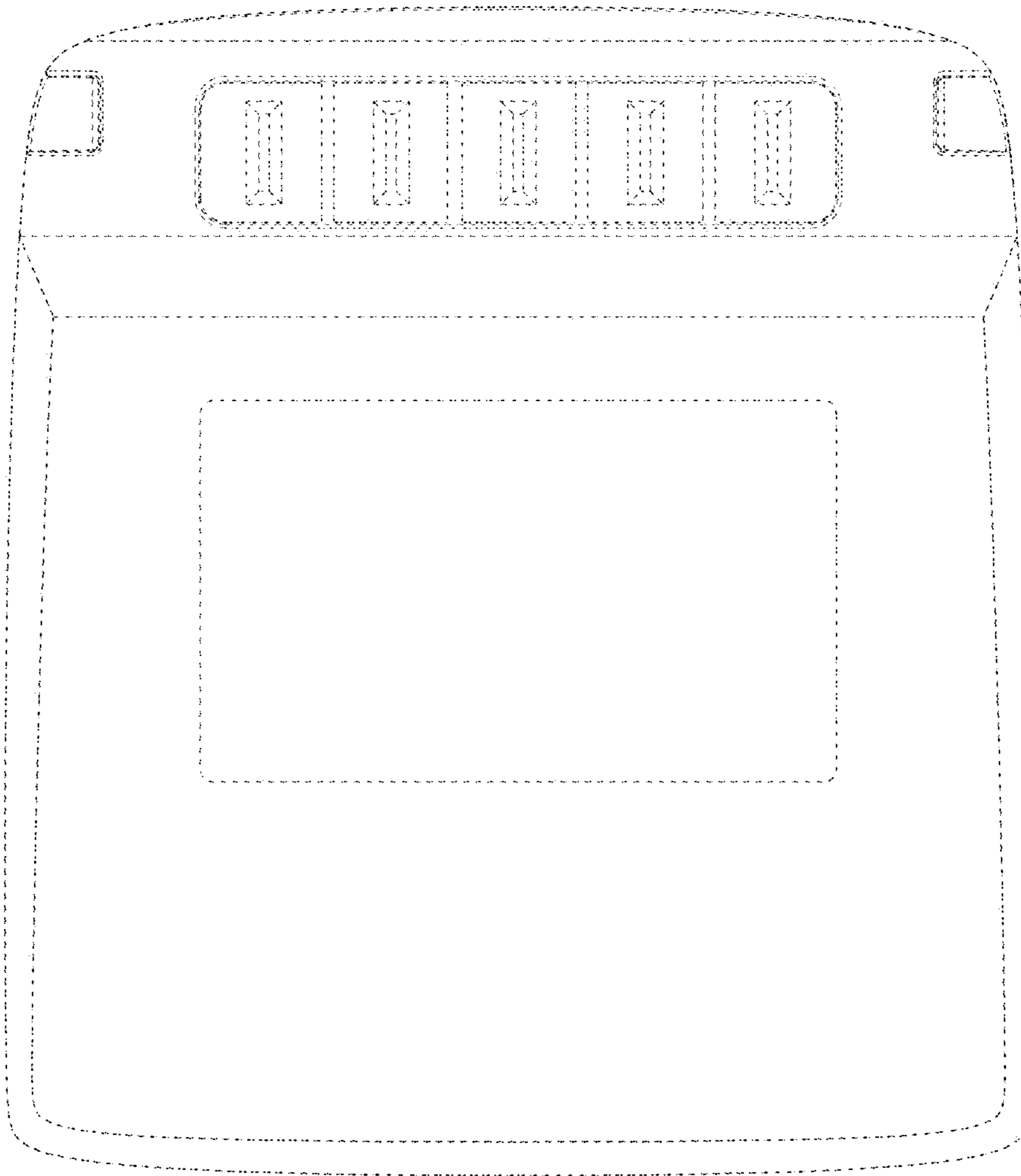


FIG. 8