



US00D973580S

(12) **United States Design Patent** (10) **Patent No.:** **US D973,580 S**
Katsumoto et al. (45) **Date of Patent:** **** Dec. 27, 2022**

(54) **SECONDARY BATTERY**
(71) Applicant: **MURATA MANUFACTURING CO., LTD.**, Kyoto-fu (JP)
(72) Inventors: **Taichi Katsumoto**, Nagaokakyo (JP); **Yoshiichi Horikoshi**, Nagaokakyo (JP); **Masayuki Kageyama**, Nagaokakyo (JP)
(73) Assignee: **Murata Manufacturing Co., Ltd.**, Kyoto (JP)
(**) Term: **15 Years**
(21) Appl. No.: **29/750,220**
(22) Filed: **Sep. 11, 2020**
(30) **Foreign Application Priority Data**

Mar. 11, 2020 (JP) 2020-004846 D
(51) **LOC (13) Cl.** **13-02**
(52) **U.S. Cl.**
USPC **D13/103**
(58) **Field of Classification Search**
USPC D13/102-106, 110, 118-119, 184
CPC . Y02E 60/10; H01M 2220/30; H01M 50/209;
H01M 50/213; H01M 50/183; H01M
50/10; H01M 50/529; H01M 50/531;
H01M 10/0525; H01M 10/0436; H01M
10/052; H01M 10/0565; H01M 10/30;
H01M 10/345; H01M 10/425; H01M
2010/0495; B25F 5/02; B25F 5/00; A61B
2017/00734
See application file for complete search history.

(56) **References Cited**
U.S. PATENT DOCUMENTS
D118,597 S * 1/1940 Knauss D13/103
5,654,111 A * 8/1997 Minomiya H01M 10/0436
429/162

D423,450 S * 4/2000 Buckle D13/103
D425,477 S * 5/2000 Buckle D13/103
D425,855 S * 5/2000 Buckle D13/103
D426,188 S * 6/2000 Buckle D13/103
D426,189 S * 6/2000 Buckle D13/103
D426,514 S * 6/2000 Buckle D13/103
D426,515 S * 6/2000 Buckle D13/103
D426,516 S * 6/2000 Buckle D13/103
D426,517 S * 6/2000 Buckle D13/103
D426,807 S * 6/2000 Buckle D13/103
D476,617 S * 7/2003 Kasahara D13/103
D476,619 S * 7/2003 Katsumoto D13/103
D476,947 S * 7/2003 Kasahara D13/103
D477,276 S * 7/2003 Katsumoto D13/103
D730,826 S * 6/2015 Moanack D13/110
D763,788 S * 8/2016 Bakker D13/103
D782,408 S * 3/2017 Morgan D13/102
10,573,480 B2 * 2/2020 Rosios H01M 50/572

(Continued)

Primary Examiner — Nathaniel D. Buckner
(74) *Attorney, Agent, or Firm* — K&L Gates LLP

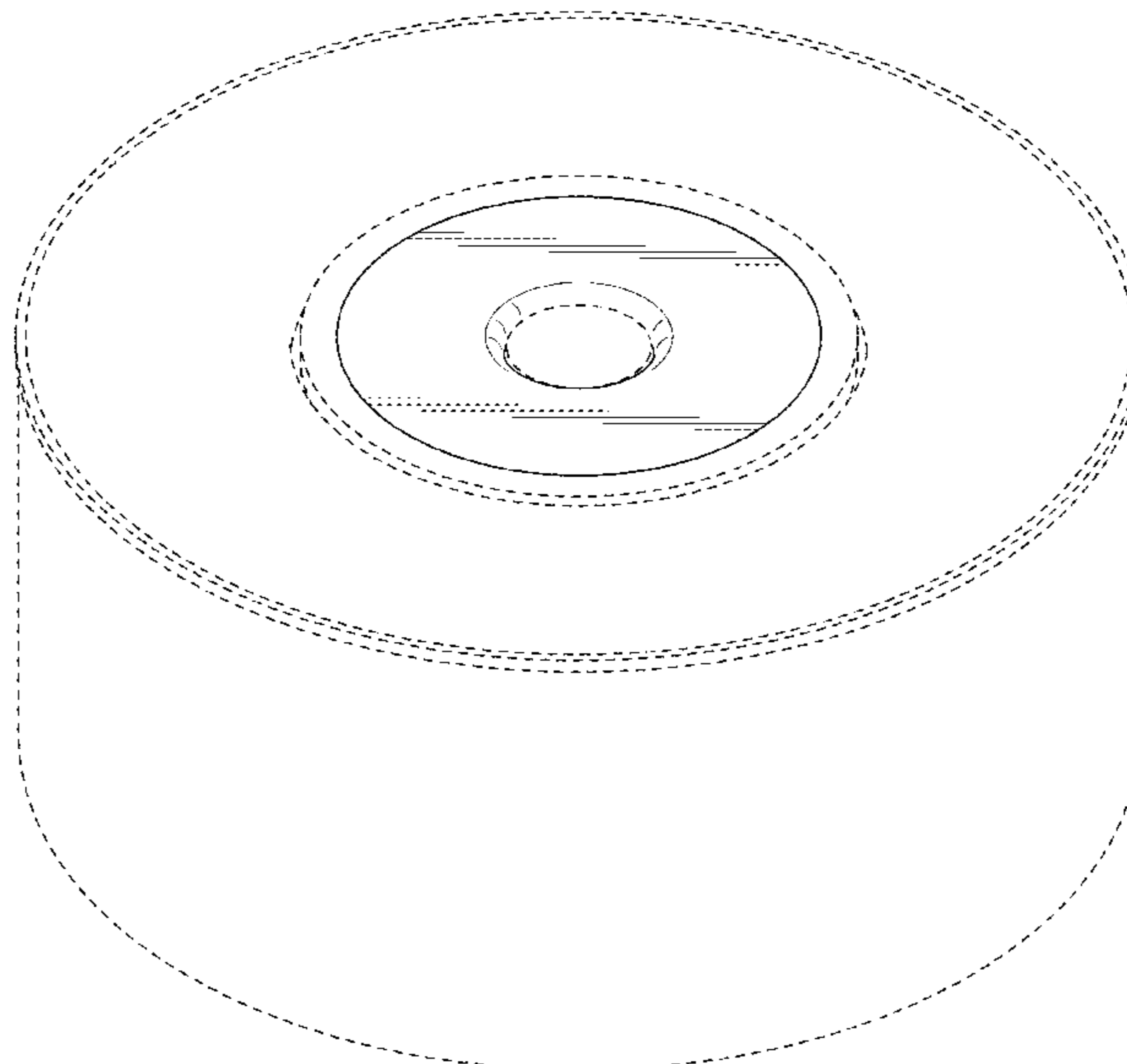
(57) **CLAIM**

The ornamental design for a secondary battery, as shown and described.

DESCRIPTION

FIG. 1 is a perspective view of a secondary battery showing our new design;
FIG. 2 is a front elevational view thereof;
FIG. 3 is a rear elevational view thereof;
FIG. 4 is a left-side elevational view thereof;
FIG. 5 is a right-side elevational view thereof;
FIG. 6 is a top plan view thereof;
FIG. 7 is a bottom plan view thereof; and,
FIG. 8 is an enlarged cross section view thereof, taken along line 8-8 in FIG. 2.
The broken lines depict portions of the secondary battery that form no part of the claimed design.

1 Claim, 6 Drawing Sheets



(56)

References Cited

U.S. PATENT DOCUMENTS

10,573,928 B2 * 2/2020 Kim H01M 4/58
D904,981 S * 12/2020 Worthy D13/110
2007/0251083 A1 * 11/2007 Link H01M 12/06
429/129
2020/0411824 A1 * 12/2020 Tsang H01M 50/325
2021/0184322 A1 * 6/2021 Park H01M 50/469
2021/0257760 A1 * 8/2021 Mun G07C 9/00944

* cited by examiner

FIG. 1

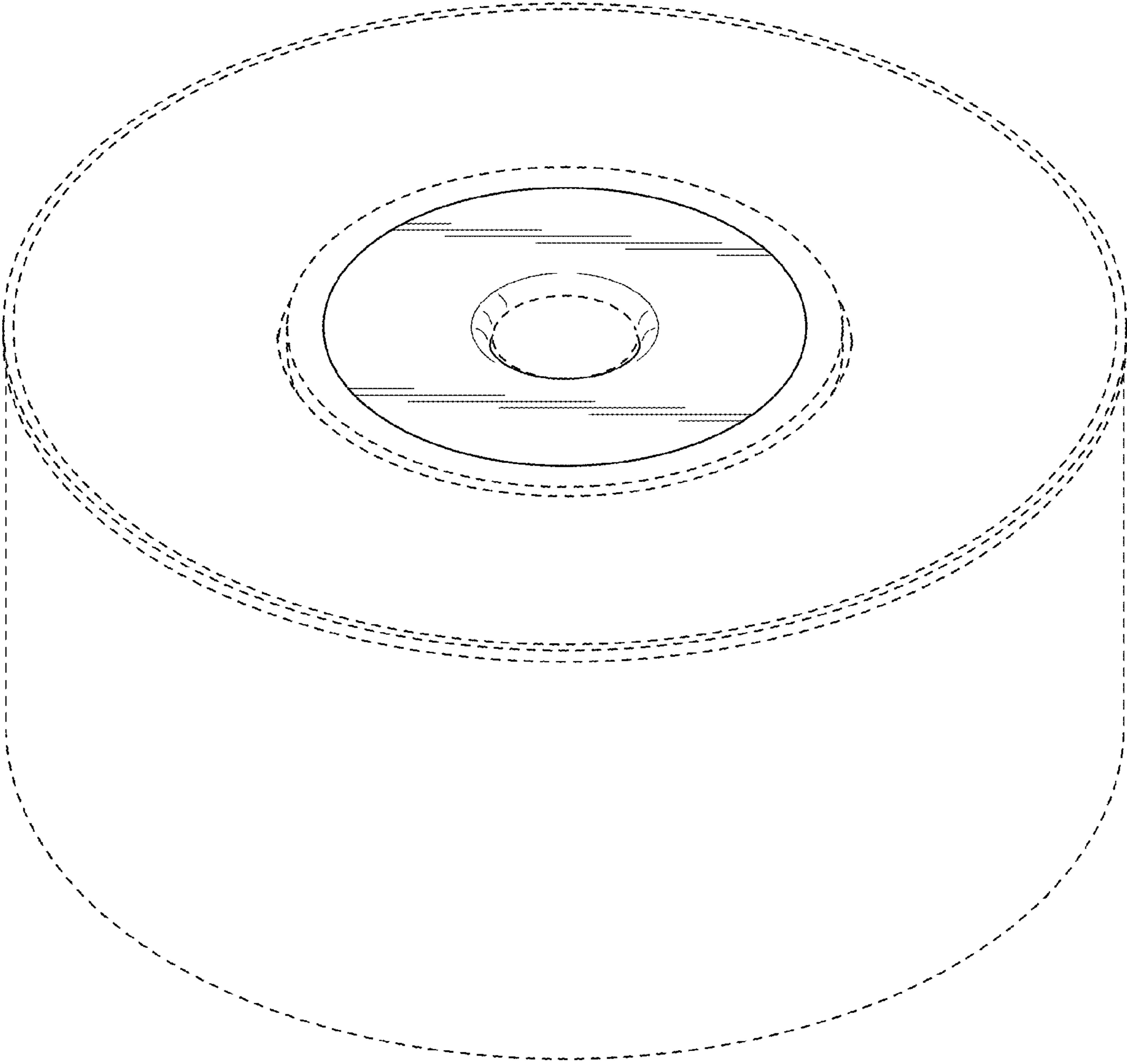


FIG. 2

↗ 8



↘ 8

FIG. 3



FIG. 4



FIG. 5



FIG. 6

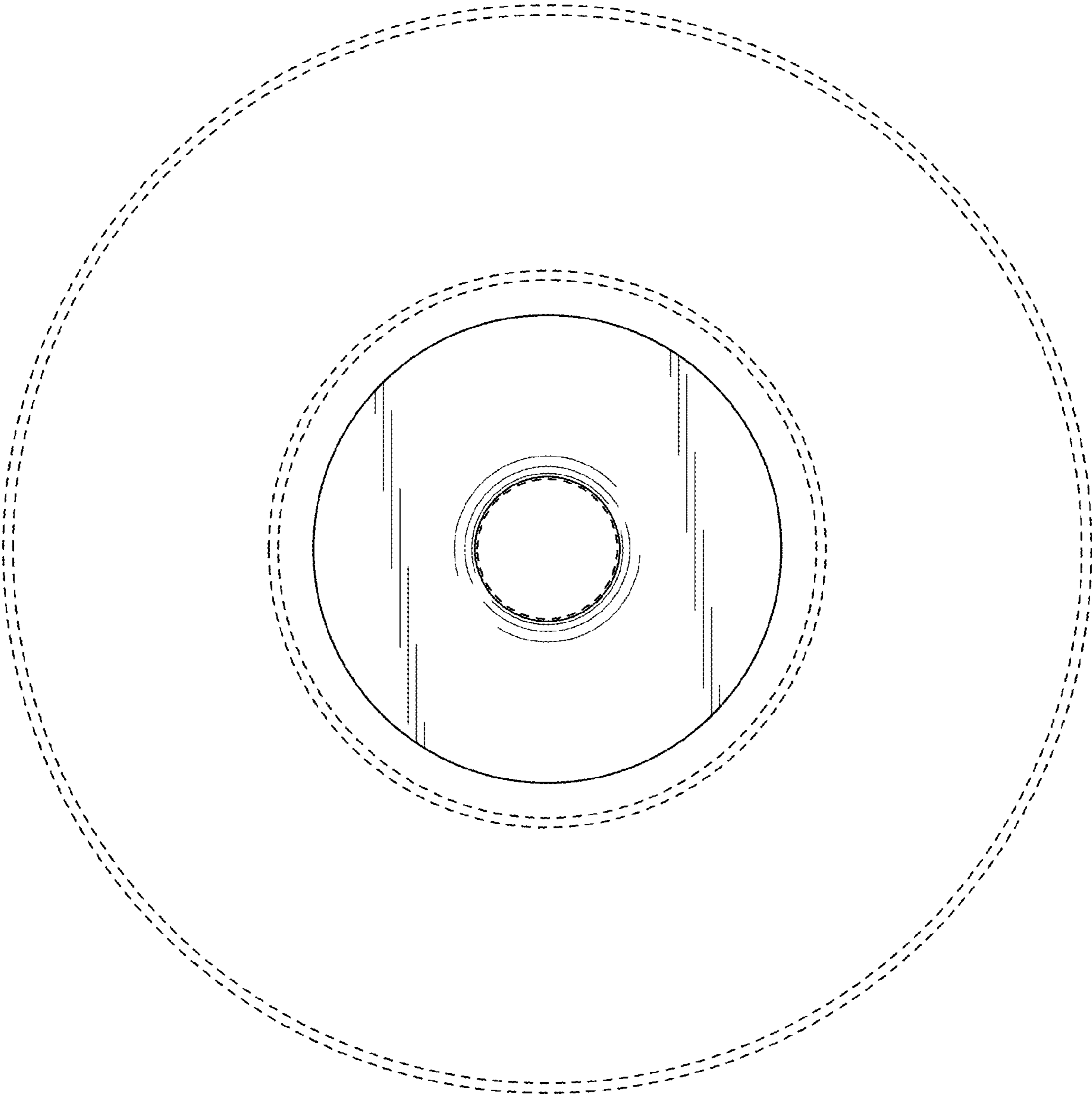


FIG. 7

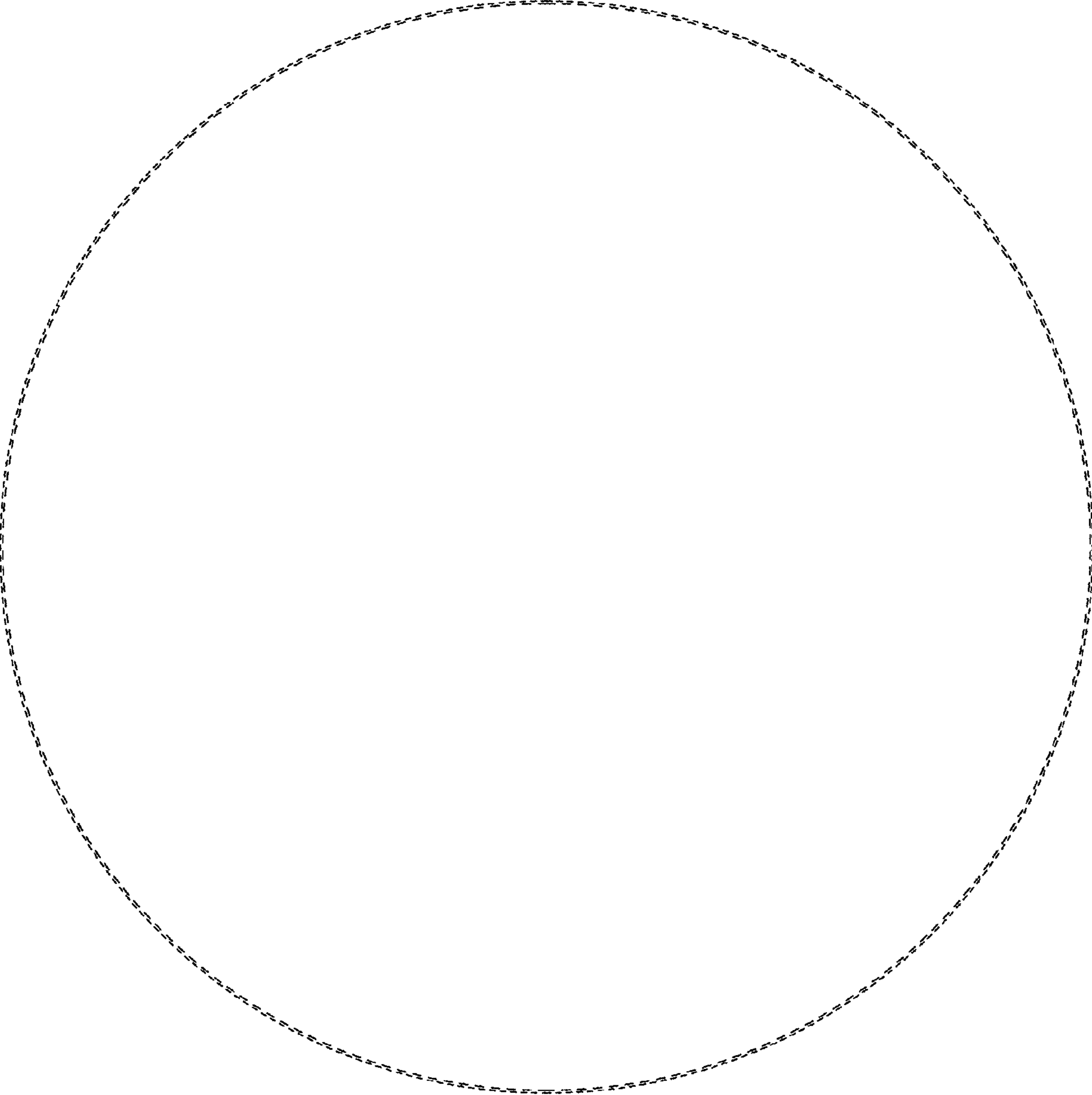


FIG. 8

