



US00D973578S

(12) **United States Design Patent** (10) **Patent No.:** **US D973,578 S**  
**Zeng** (45) **Date of Patent:** **\*\* Dec. 27, 2022**

(54) **MOBILE SOLAR POWER SOURCE**  
(71) Applicant: **Shenzhen Bailefe Electronic Technology Co., LTD**, Shenzhen (CN)  
(72) Inventor: **Minghan Zeng**, Shenzhen (CN)  
(\*\*) Term: **15 Years**  
(21) Appl. No.: **29/840,967**

D535,613 S \* 1/2007 Varalo ..... D13/108  
D686,979 S \* 7/2013 Chilton ..... D13/102  
D689,817 S \* 9/2013 Sun ..... D13/102  
D708,570 S \* 7/2014 Martin ..... D13/102  
D712,832 S 9/2014 Zhou  
D733,051 S 6/2015 Wang  
D793,334 S \* 8/2017 Estes ..... D13/102  
D817,866 S \* 5/2018 Liu ..... D13/102  
D837,733 S 1/2019 Bai  
D902,145 S \* 11/2020 Yang ..... D13/102  
2010/0109599 A1 \* 5/2010 Lin ..... H02J 7/35  
320/101

(22) Filed: **Jun. 2, 2022**  
(51) **LOC (13) Cl.** ..... **13-02**  
(52) **U.S. Cl.**  
USPC ..... **D13/102**  
(58) **Field of Classification Search**  
USPC ..... D13/102, 101, 103, 107, 108, 110, 118,  
D13/184, 199  
CPC ..... H01L 31/00; H01L 31/18; H01L 31/042;  
H01L 31/045; H01L 31/048; H01L  
31/052; H01L 31/054; H01L 31/0475;  
H01L 31/0485; H01M 10/052; H01M  
10/465; H02S 30/10; H02S 30/20; H02S  
10/40; H02S 40/42; Y02E 10/50; Y02E  
10/52; Y10S 136/291; Y10S 136/293;  
H02J 7/355; G06F 1/1628; F21S 8/006;  
F21V 21/06; F21V 21/12  
See application file for complete search history.

(56) **References Cited**  
U.S. PATENT DOCUMENTS  
D391,921 S \* 3/1998 Zimmer ..... D13/102  
D490,051 S \* 5/2004 Kikumoto ..... D13/102

\* cited by examiner

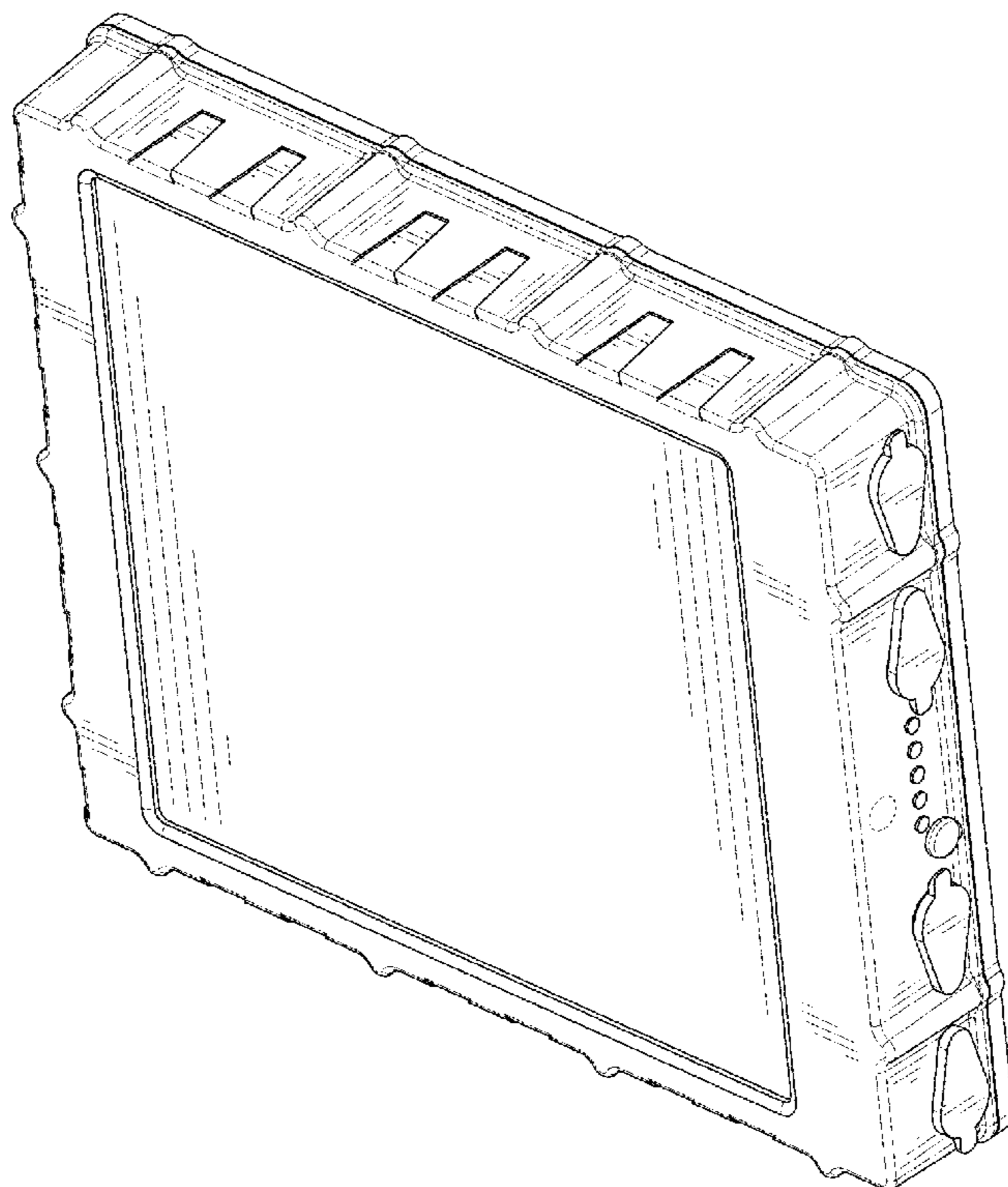
*Primary Examiner* — Derrick E Holland  
(74) *Attorney, Agent, or Firm* — Rumit Ranjit Kanakia

(57) **CLAIM**  
The ornamental design for a mobile solar power source, as shown and described.

**DESCRIPTION**

FIG. 1 is a first perspective view of a mobile solar power source showing my new design;  
FIG. 2 is a second perspective view thereof;  
FIG. 3 is a front view thereof;  
FIG. 4 is a back view thereof;  
FIG. 5 is a left side view thereof;  
FIG. 6 is a right side view thereof;  
FIG. 7 is a top view thereof; and,  
FIG. 8 is a bottom view thereof.  
The broken lines shown in the drawings depict portions of the mobile solar power source that form no part of the claimed design.

**1 Claim, 8 Drawing Sheets**



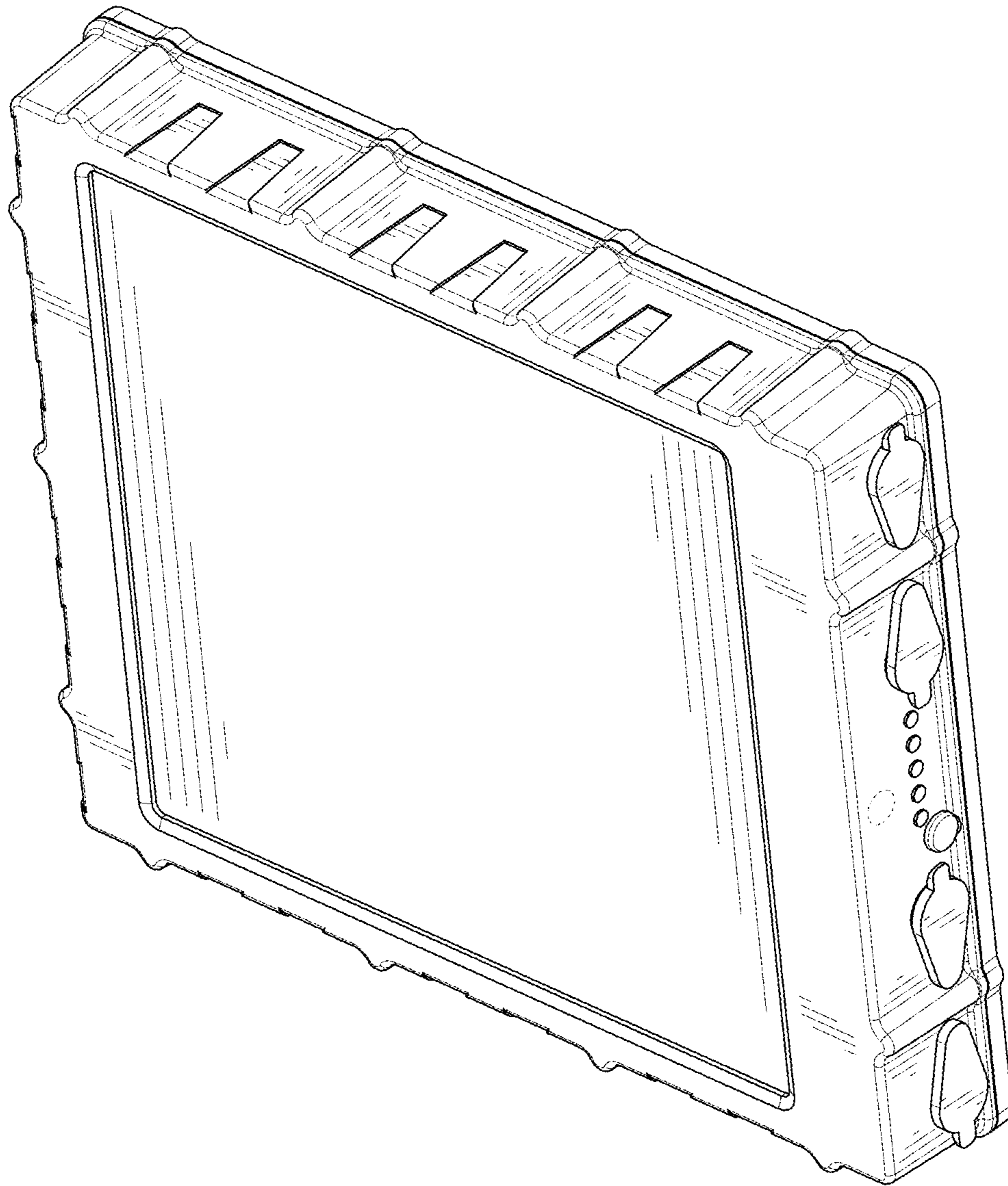


FIG. 1

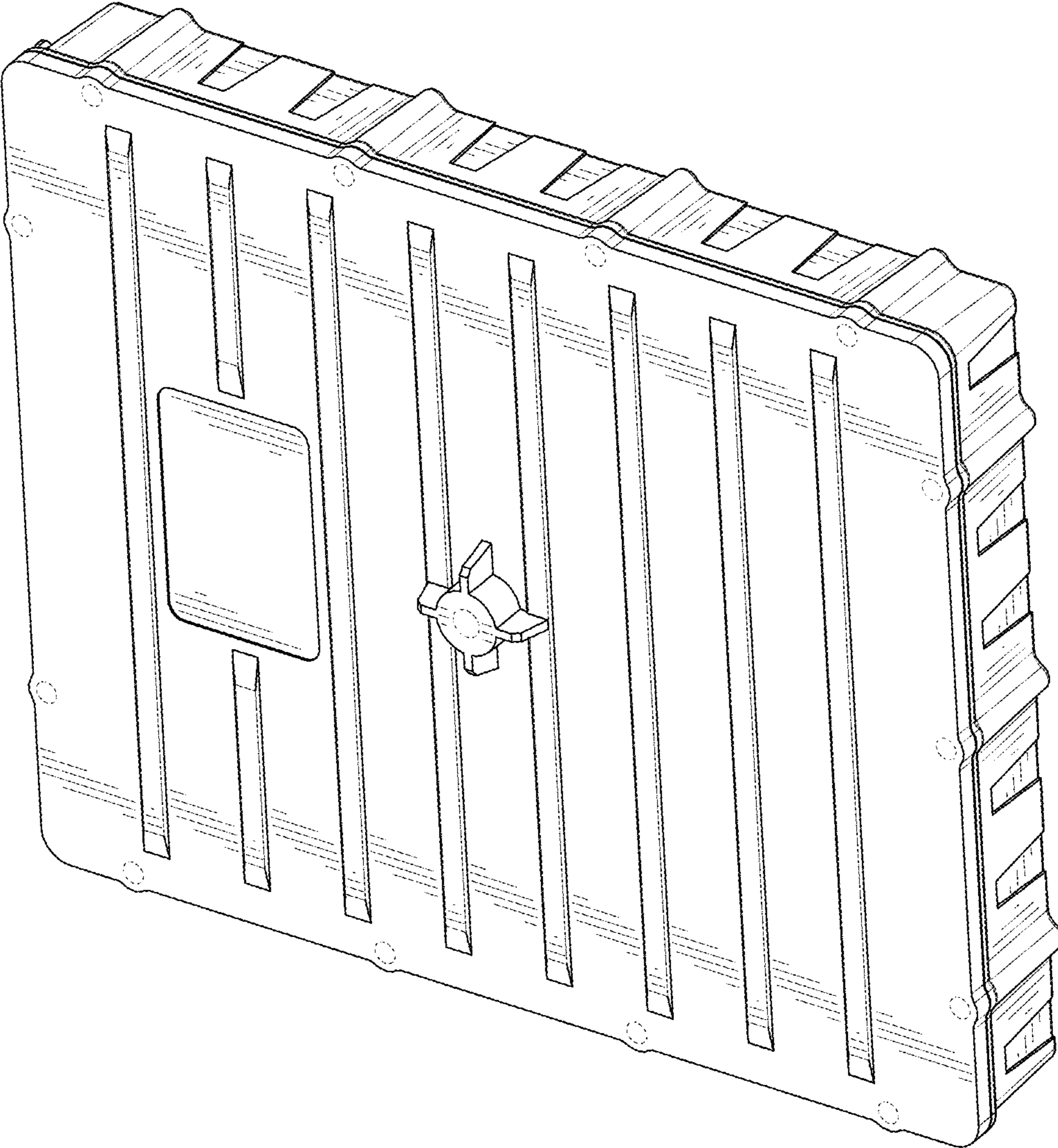


FIG. 2

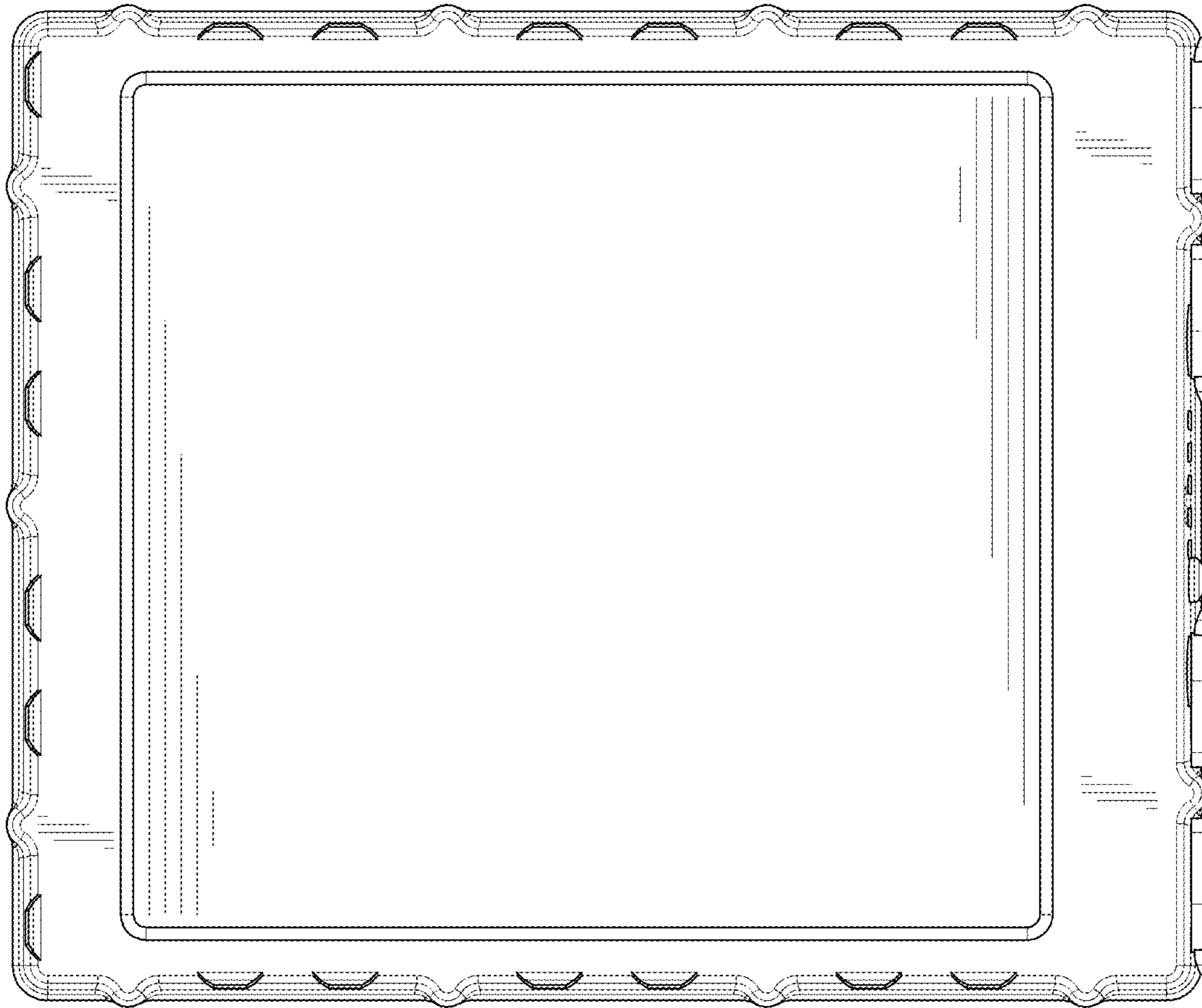


FIG. 3

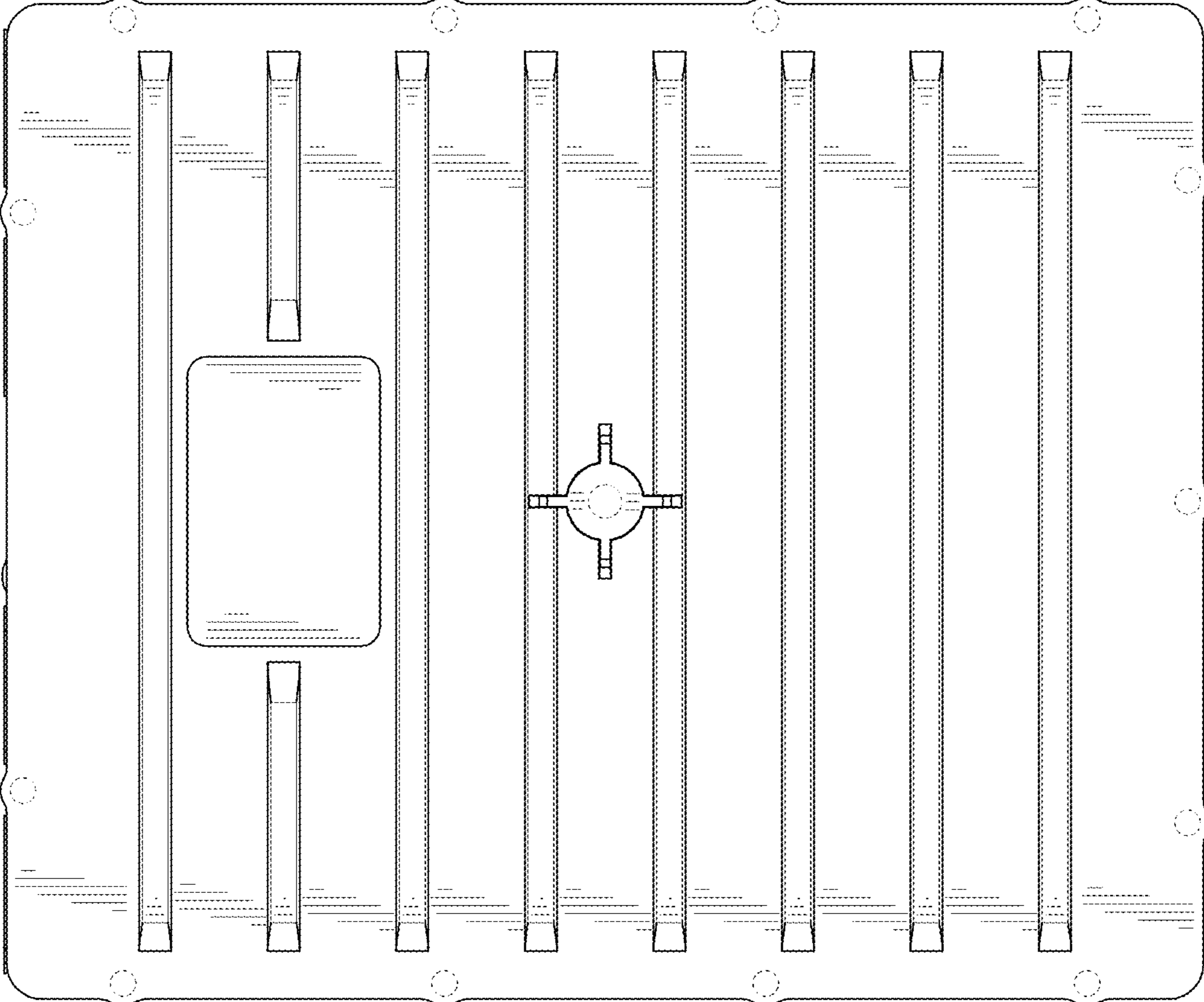


FIG. 4

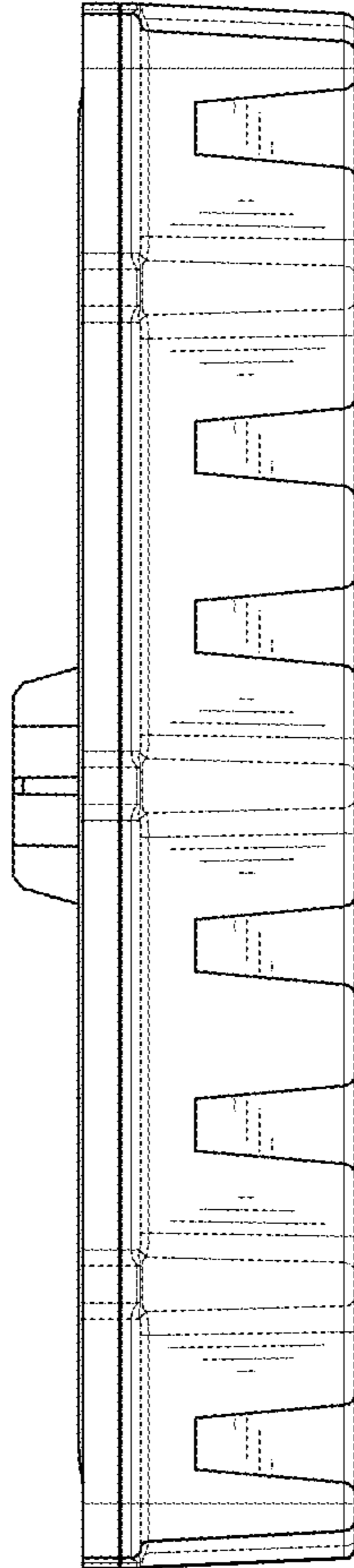


FIG. 5

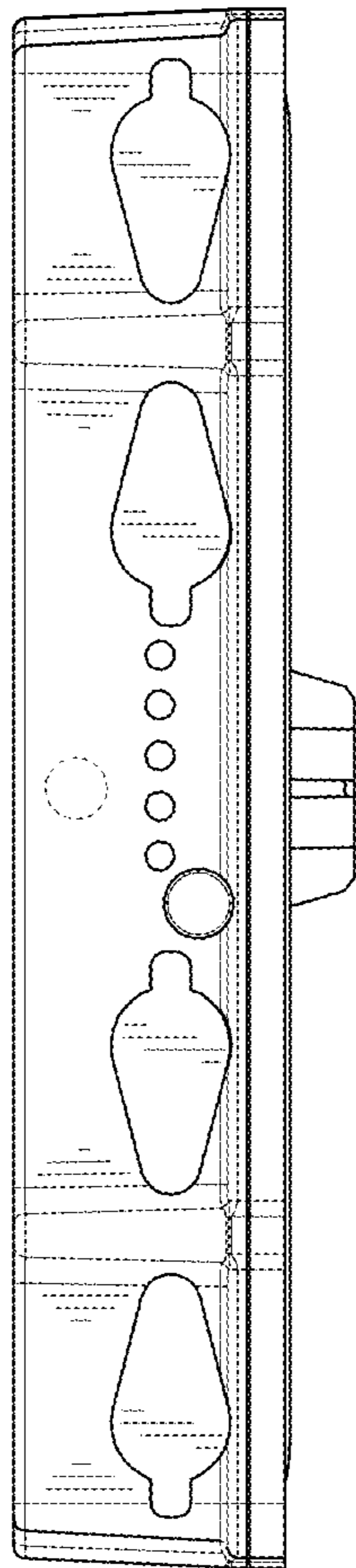


FIG. 6

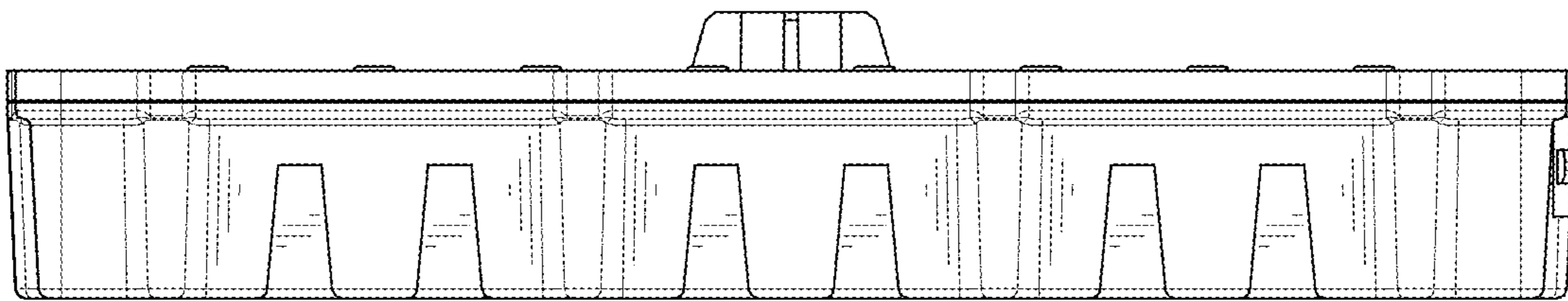


FIG. 7



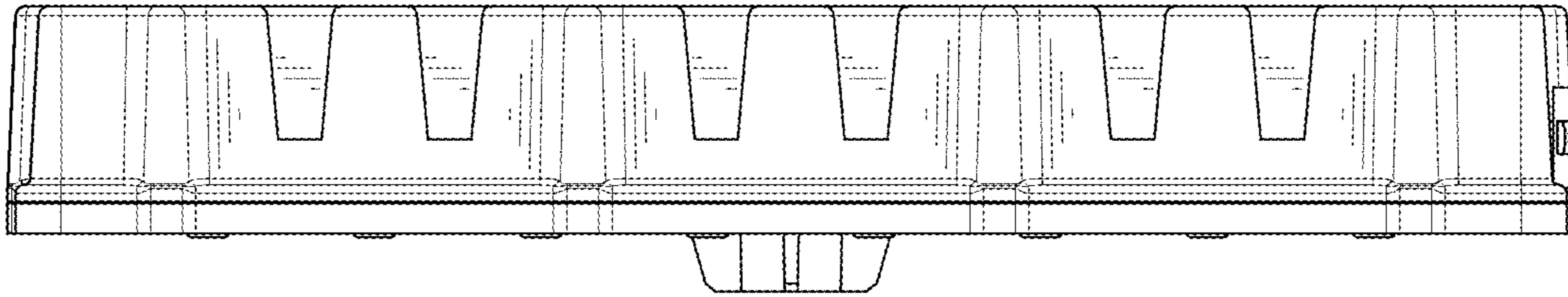


FIG. 8