



US00D973573S

(12) **United States Design Patent** (10) **Patent No.:** **US D973,573 S**
Cestonaro et al. (45) **Date of Patent:** **** Dec. 27, 2022**

(54) **LAWN MOWER WHEEL**
(71) Applicant: **Positec Power Tools (Suzhou) Co., Ltd.**, Jiangsu (CN)
(72) Inventors: **Andrea Igor Cestonaro**, Vicenza (IT); **Yanjun Pang**, Jiangsu (CN)
(73) Assignee: **Positec Power Tools (Suzhou) Co., Ltd.**, Suzhou (CN)

D702,411 S * 4/2014 Bromm D34/10
D751,265 S * 3/2016 Bromm D34/27
D899,348 S * 10/2020 Shi D12/501
D927,406 S * 8/2021 Alexander D12/501
D927,407 S * 8/2021 Alexander D12/501
D927,807 S * 8/2021 Yang D32/31
2016/0214435 A1* 7/2016 Schaedler B60C 7/18
2016/0338262 A1* 11/2016 Liu G08B 13/194

* cited by examiner
Primary Examiner — John A Voytek
(74) *Attorney, Agent, or Firm* — Dentons US LLP

(**) Term: **15 Years**
(21) Appl. No.: **29/747,272**

(22) Filed: **Aug. 20, 2020**

(30) **Foreign Application Priority Data**

Feb. 21, 2020 (CN) 202030056958.9

(51) **LOC (13) Cl.** **12-15**

(52) **U.S. Cl.**
USPC **D12/501**

(58) **Field of Classification Search**
USPC D12/500–532, 604; D15/17; D32/31
CPC Y10T 152/10027; B60C 1/0016; B60C 11/0306; B60C 11/0302; B60C 3/06; B60C 9/17
See application file for complete search history.

(56) **References Cited**

U.S. PATENT DOCUMENTS

D328,053 S * 7/1992 Markling D12/501
D352,687 S * 11/1994 Markling D12/204
D470,452 S * 2/2003 Flood D12/501
7,481,498 B1 * 1/2009 Morris B60B 3/001
301/64.707
D631,223 S * 1/2011 Kosheba D34/27

(57) **CLAIM**

The ornamental design for a lawn mower wheel, as shown and described.

DESCRIPTION

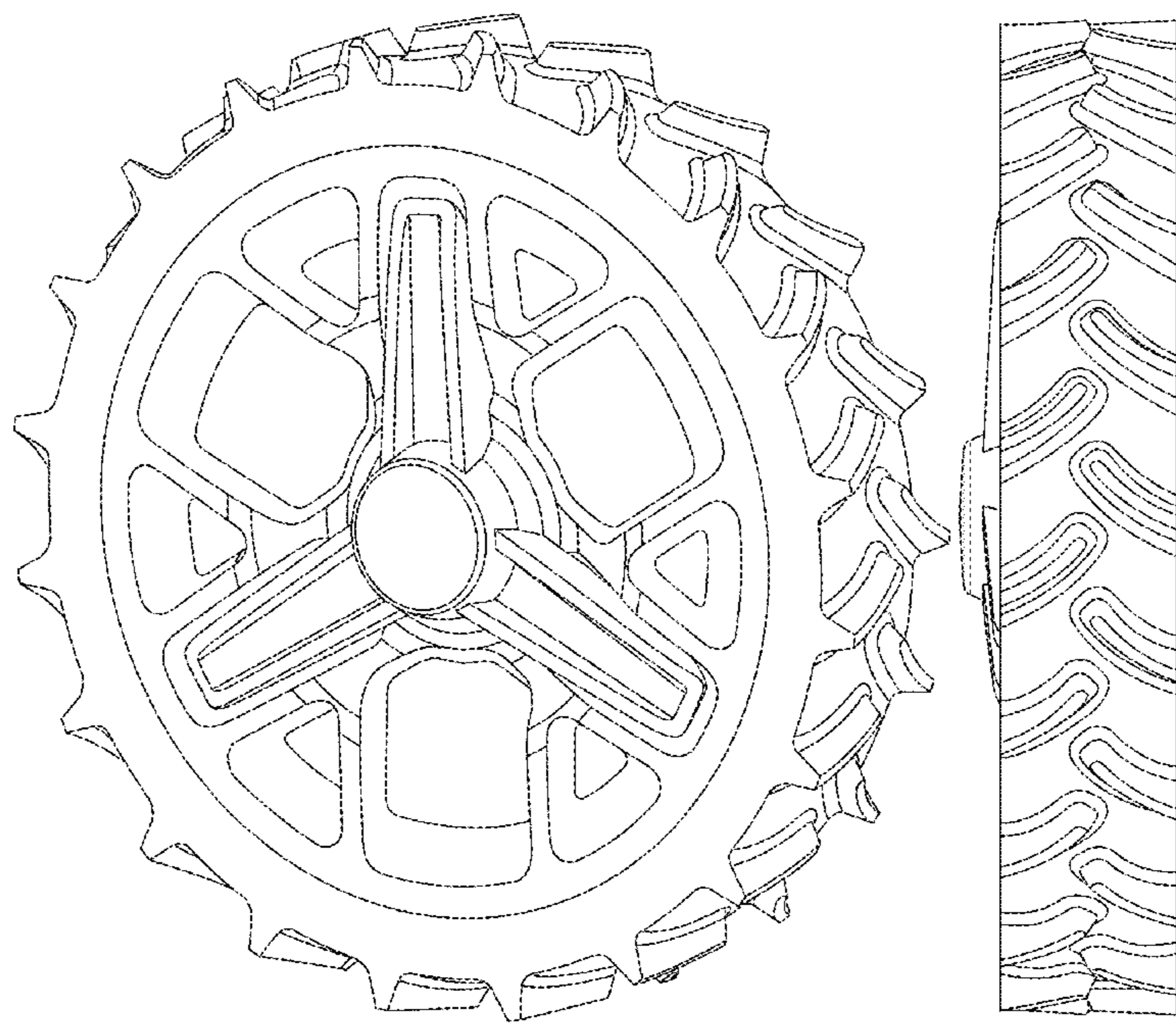
This invention has not been made by an agency of the United States Government or under any contract with an agency of the United States Government, nor any federally sponsored research or development.

FIG. 1 is a perspective view of a lawn mower wheel in accordance with the present invention.

FIG. 2 is a front view of the lawn mower wheel of FIG. 1. FIG. 3 is a rear view of the lawn mower wheel of FIG. 1. FIG. 4 is a left view of the lawn mower wheel of FIG. 1. FIG. 5 is a right view of the lawn mower wheel of FIG. 1. FIG. 6 is a top view of the lawn mower wheel of FIG. 1; and, FIG. 7 is a bottom view of the lawn mower wheel of FIG. 1.

The lawn mower wheel depicted in FIGS. 1-7 includes broken lines that illustrate portions of the lawn mower wheel that form no part of the claimed design.

1 Claim, 7 Drawing Sheets



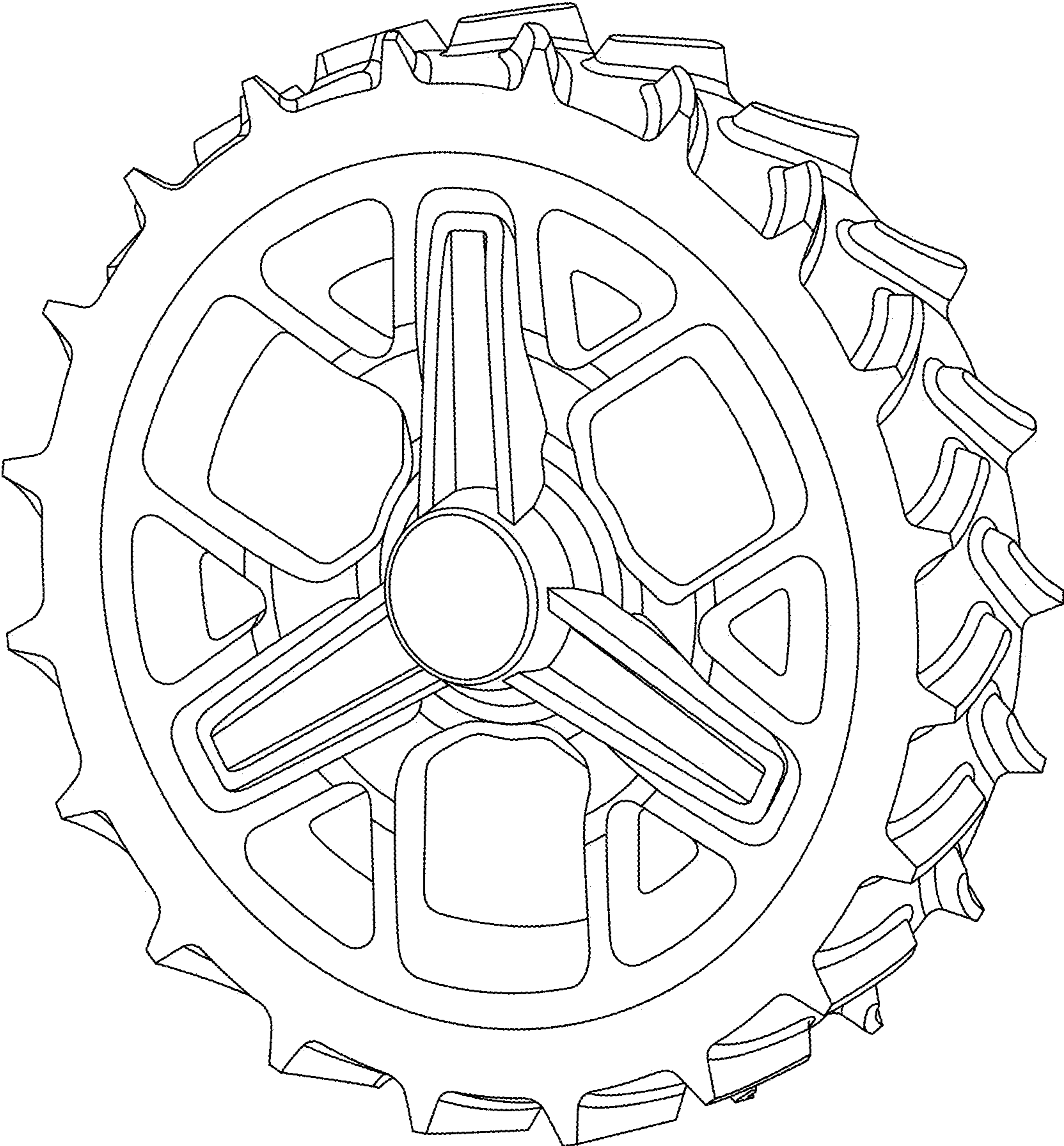


FIG. 1

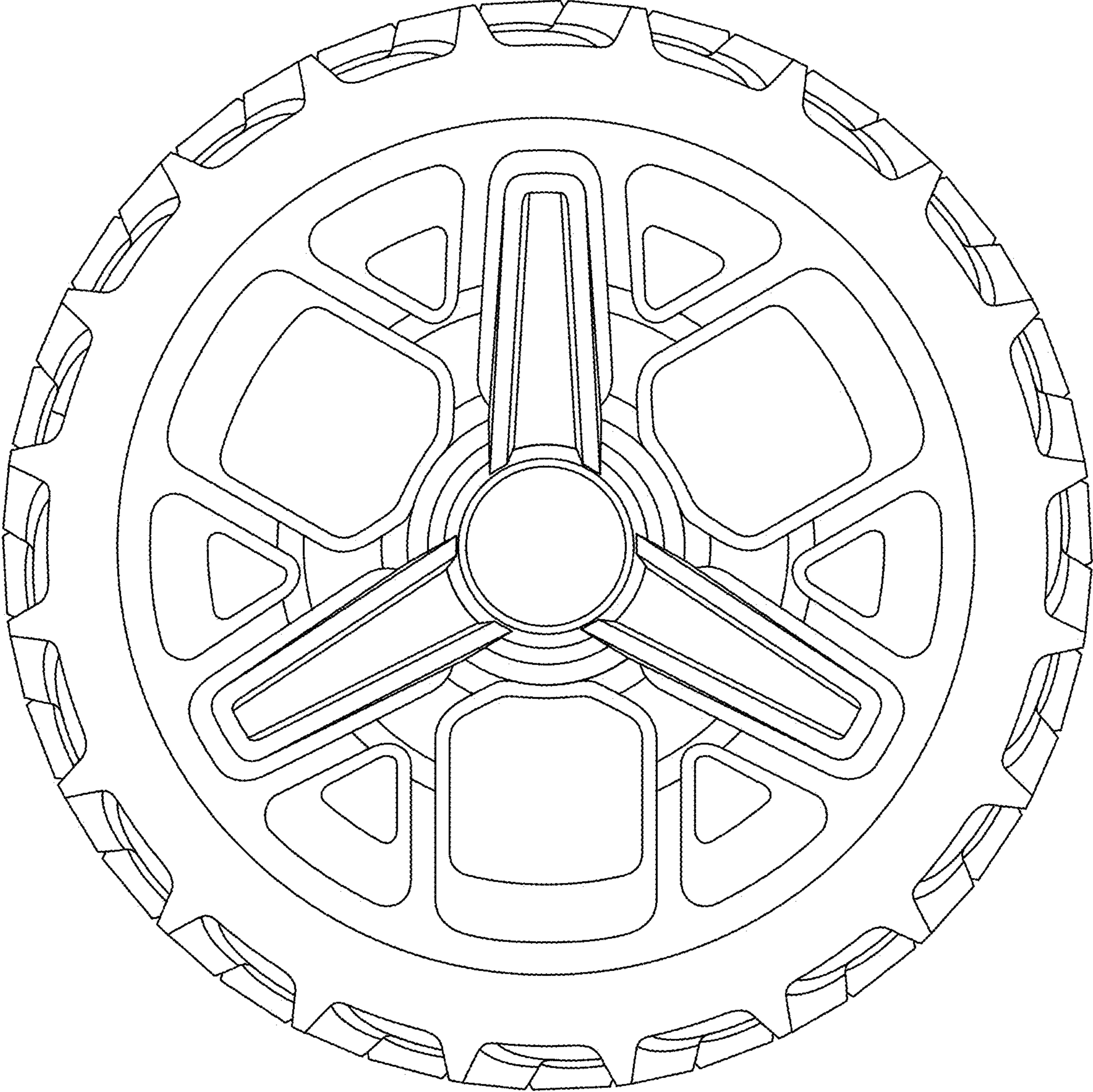


FIG. 2

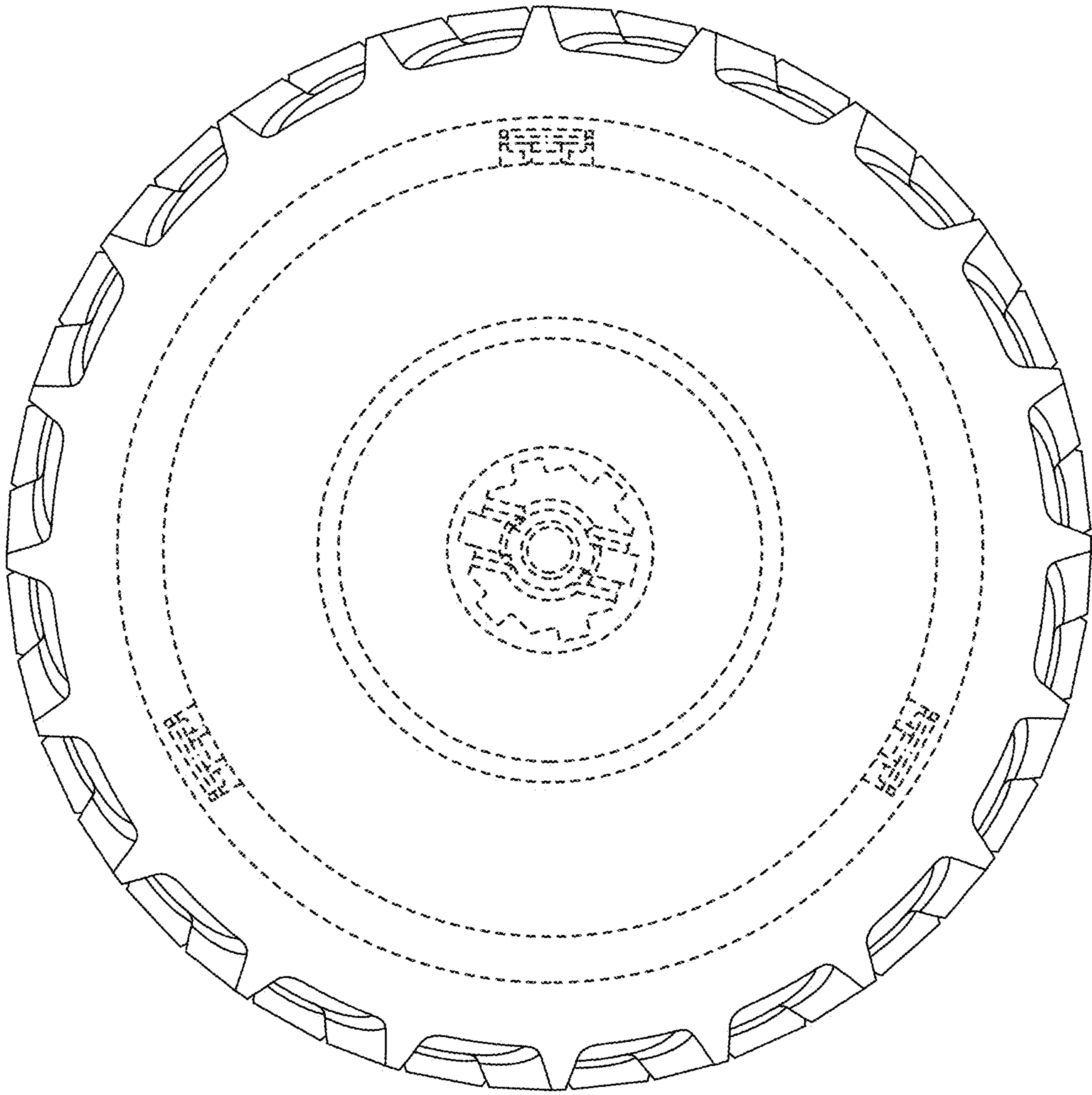


FIG. 3

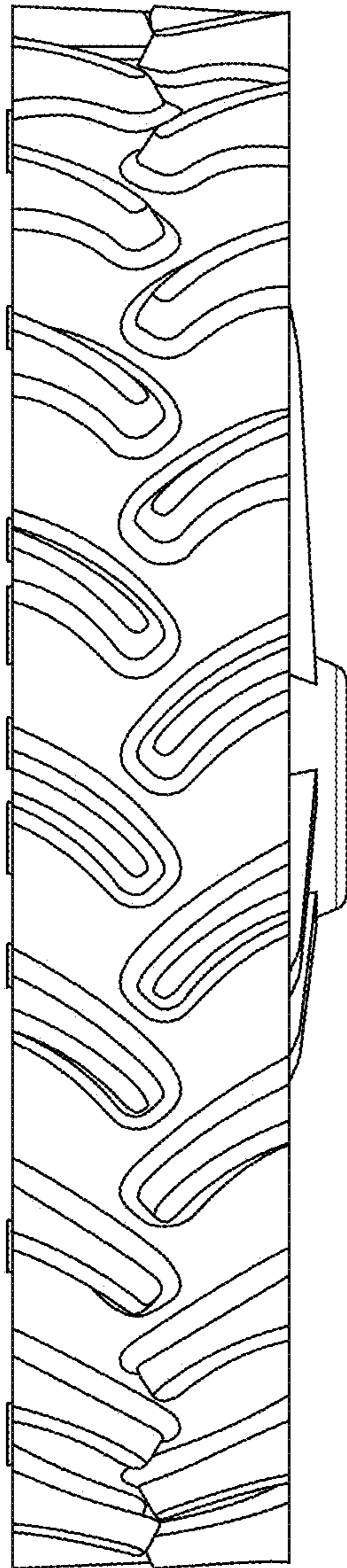


FIG. 4

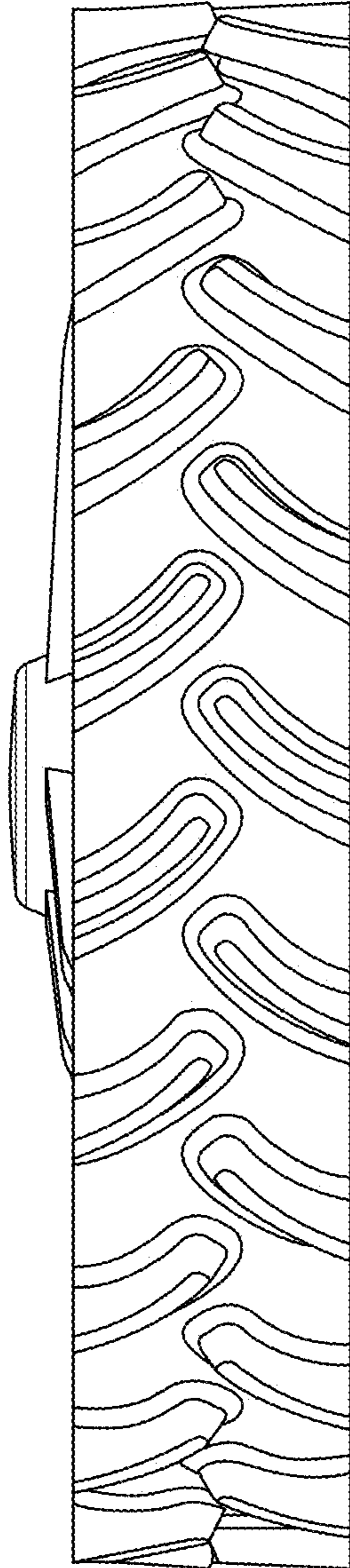


FIG. 5

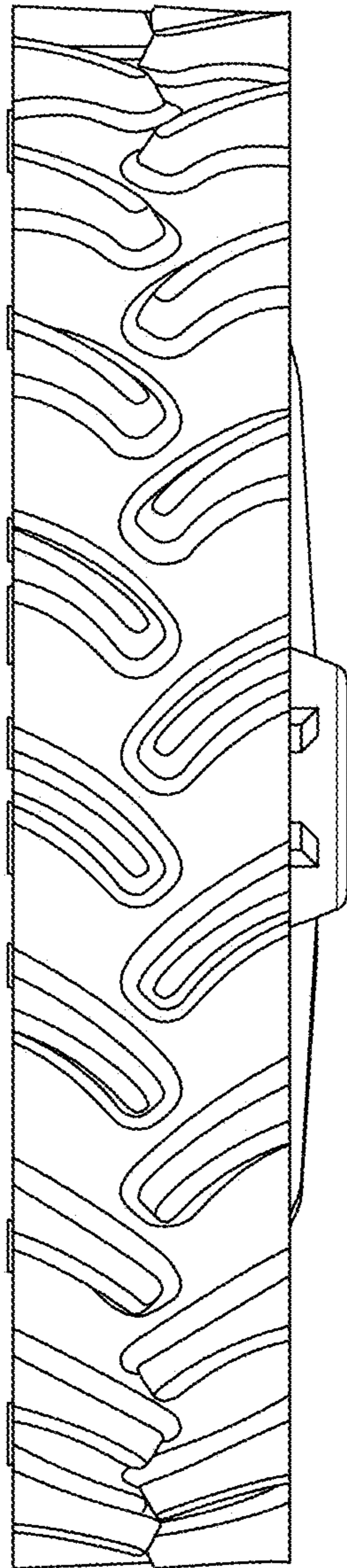


FIG. 6

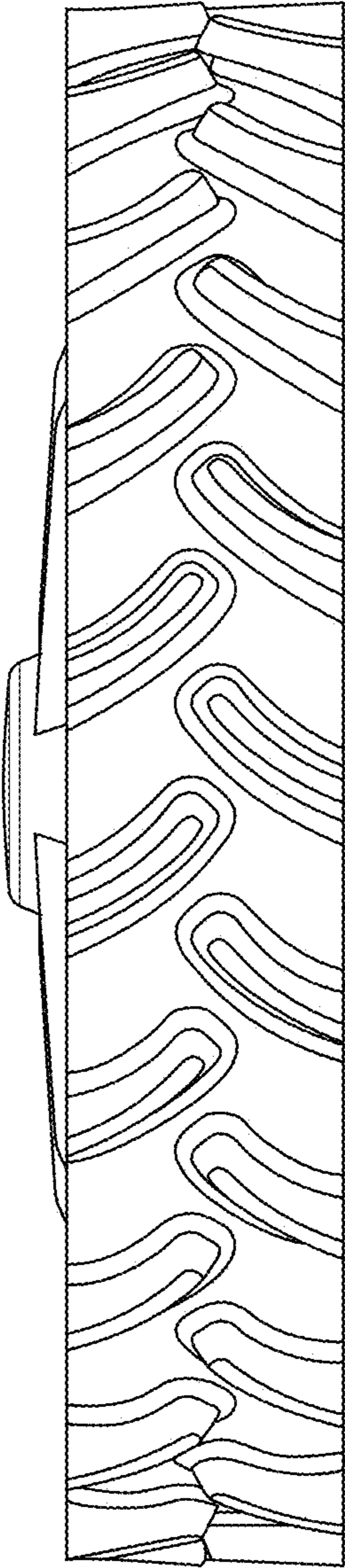


FIG. 7